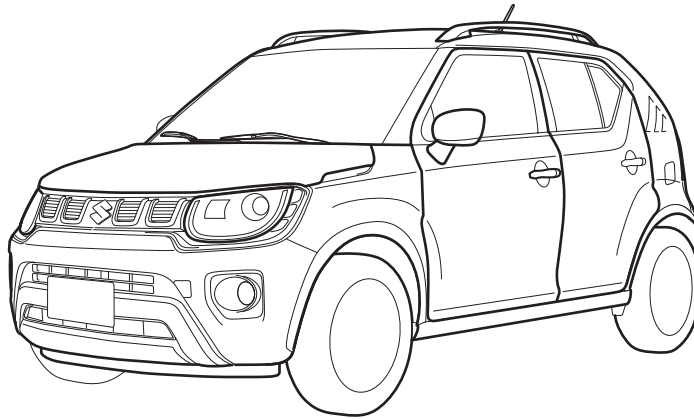


This owner's manual applies to the IGNIS series.



73SB00010

NOTE: The illustrated model is one of the IGNIS series.

Copyright © **SUZUKI MOTOR CORPORATION** 2022 All Rights Reserved
No part of this document may be reproduced or transmitted in any form or by any means, electronic or mechanical, for any purpose, without the express written permission of Suzuki Motor Corporation.

FOREWORD

This manual should be considered a permanent part of the vehicle and should remain with the vehicle when resold or otherwise transferred to a new owner or operator. Please read this manual carefully before operating your new SUZUKI vehicle and review the manual from time to time. It contains important information on safety, operation and maintenance.

SUZUKI MOTOR CORPORATION

All information in this manual is based on the latest product information available at the time of publication. Due to improvements or other changes, there may be discrepancies between information in this manual and your vehicle. SUZUKI MOTOR CORPORATION reserves the right to make production changes at any time, without notice and without incurring any obligation to make the same or similar changes to vehicles previously built or sold.

This vehicle may not comply with standards or regulations of other countries. Before attempting to register this vehicle in any other country, check all applicable regulations and make any necessary modifications.

NOTE:

(For Hong Kong models)

- “*ENG A-STOP System*” means *Idling Stop System*.
- “*SHVS (Smart Hybrid Vehicle by Suzuki)*” means *Mild Hybrid*.

IMPORTANT

▲ WARNING/▲ CAUTION/NOTICE/ NOTE

Please read this manual and follow its instructions carefully. To emphasize special information, the symbol ▲ and the words **WARNING**, **CAUTION**, **NOTICE** and **NOTE** have special meanings. Pay particular attention to messages highlighted by these signal words:

▲ WARNING

Indicates a potential hazard that could result in death or serious injury.

▲ CAUTION

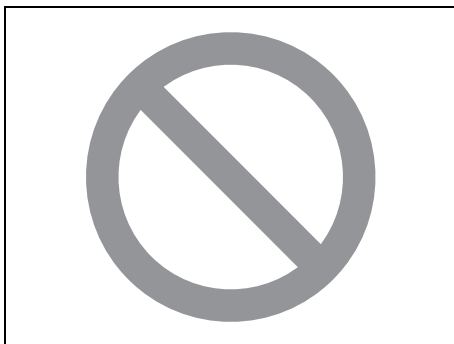
Indicates a potential hazard that could result in minor or moderate injury.

NOTICE

Indicates a potential hazard that could result in vehicle damage.

NOTE:

Indicates special information to make maintenance easier or instructions clearer.



75F135

The circle with a slash in this manual means “Do not do this” or “Do not let this happen”.

MODIFICATION WARNING

WARNING

Do not modify this vehicle. Modification could adversely affect safety, handling, performance, or durability and may violate governmental regulations. In addition, damage or performance problems resulting from modification may not be covered under warranty.

NOTICE

Improper installation of mobile communication equipment such as cellular telephones, CB (Citizen’s Band) radios or any other wireless transmitters may cause electronic interference with your vehicle’s ignition system or any other electrical systems, resulting in vehicle performance problems. Consult your SUZUKI dealer or qualified service technician for advice.

NOTICE

The diagnostic connector of your vehicle is prepared only for the specific diagnostic tool for inspection and service purpose. Connecting any other tool or device may interfere with electronic parts operations and cause running out of batteries.

INTRODUCTION

Thank you for choosing SUZUKI and welcome to our growing family. Your choice was a wise one; SUZUKI products have great value that will give you driving pleasure for years.

This owner's manual was prepared to give you a safe, enjoyable, and trouble-free experience with your SUZUKI vehicle. In this manual, you will learn about the vehicle's operation, its safety features and maintenance requirements. Please read the manual carefully before operating your vehicle. Afterwards, keep this manual in the glove box for future reference.

Should you resell the vehicle, please leave this manual with it for the next owner.

In addition to the owner's manual, the other booklets provided with your SUZUKI vehicle explain the vehicle's warranties. We recommend you read them as well to familiarize yourself with this important information.

When planning the regular scheduled maintenance of your SUZUKI vehicle, we recommend you visit your local SUZUKI dealer. Their factory-trained technicians will provide the best possible service and use only genuine SUZUKI parts and accessories.

NOTE:

- *“SUZUKI dealer” means an Authorized Suzuki Dealer and an Authorized Suzuki Service Workshop.*
- *The illustrations in this manual represent a typical variation, which may differ from your vehicle.*

Vehicle Data Recordings

There are certain components of your vehicle (the “Vehicle”) incorporating data storage modules or memories, which temporarily or permanently store the technical data below listed. These data are exclusively technical and serve for (i) identifying and correcting faults occurred in the Vehicle and/or (ii) optimizing functions of the Vehicle.

Recorded data (the “Recorded Data”)

- Malfunctions, faults, and errors in important system components. (e.g. lights, brakes)
- Reactions of the Vehicle in certain situations (e.g. inflation of SRS airbags, activation of stability control system).
- Operating conditions of system components (e.g. filling levels).
- Status messages of the Vehicle and its individual components (e.g. vehicle speed, acceleration, deceleration, lateral acceleration).
- Ambient conditions (e.g. outside temperature).

Recorded data vary depending on vehicle model or grade.

(For EU countries)

Parties who can read out the technical data using specific diagnostic devices (the “Parties”);

- Authorized distributors, dealers and repairers/service workshops of SUZUKI vehicles, and independent repairers/service workshops
- Manufacturer of SUZUKI vehicles (e.g. SUZUKI MOTOR CORPORATION (“SUZUKI”), MAGYAR SUZUKI CORPORATION LTD., MARUTI SUZUKI INDIA LIMITED, SUZUKI MOTOR (THAILAND) CO., LTD., THAI SUZUKI MOTOR CO., LTD.)
- Suppliers of SUZUKI vehicle parts, components and accessories (the “Suppliers”)

Data usage (the “Data Usage”)

SUZUKI and the Parties may use the Recorded Data in the modules or memories for the purpose of;

- Diagnostic, service, repair and warranty processes
- Research and further vehicle developments
- Implementation of or investigation for field actions including recall and service campaign
- Quality improvements, etc.

After an error has been corrected, data related to such error are basically deleted from error storage module or memory, while certain data are overwritten or kept further.

Conditions under which SUZUKI and the Parties can disclose or provide any of the Recorded Data to a third party

SUZUKI and the Parties may disclose or provide any of the Recorded Data to a third party under any of the following conditions:

- A consent from the Vehicle owner/user(s), or from lessee of the Vehicle (in case of lease) is obtained.
- It is officially requested by police, prosecutor, court, or other authorities.
- It is provided to a research institute for statistical study after processing in such a manner that owner/user(s) of the Vehicle cannot be identified.
- It is used by SUZUKI or the Parties or their directors, officers or employees for the purposes described in the Data Usage.
- It is used by SUZUKI or the Parties in a lawsuit.
- Any other cases allowed by applicable laws and regulations.

If required, you may receive further information from each of the Parties other than the Suppliers.

NOTE:

- *The data cannot be used to detect the Vehicle’s movements.*
- *The data stored in data storage modules or memories differ according to the Vehicle’s grade or model.*
- *No conversation nor noise/sound will be recorded in any event.*
- *The data may not be recorded in some situations.*

If these technical data are combined with other information (e.g. accident or witness report, damage on the Vehicle, etc.), there may be cases that such data may identify a specific person.

RECOMMENDATION OF GENUINE SUZUKI PARTS AND ACCESSORIES USE

SUZUKI strongly recommends the use of genuine SUZUKI parts* and accessories. Genuine SUZUKI parts and accessories are built to the highest standards of quality and performance, and are designed to fit your vehicle's exact specifications.

A wide variety of non-genuine replacement parts and accessories for SUZUKI vehicles are currently available in the market. Using these parts and accessories can affect the vehicle performance and shorten its useful life. Therefore, installation of non-genuine SUZUKI parts and accessories is not covered under warranty.

Non-genuine SUZUKI parts and accessories

Some parts and accessories may be approved by certain authorities in your country.

Some parts and accessories are sold as SUZUKI-authorized replacement parts and accessories. Some genuine SUZUKI parts and accessories are sold as re-use parts and accessories. These parts and accessories are non-genuine SUZUKI parts and accessories and use of these parts is not covered under warranty.

Re-use of genuine SUZUKI parts and accessories

The resale or re-use of the following items which could cause hazards for users is expressly forbidden:

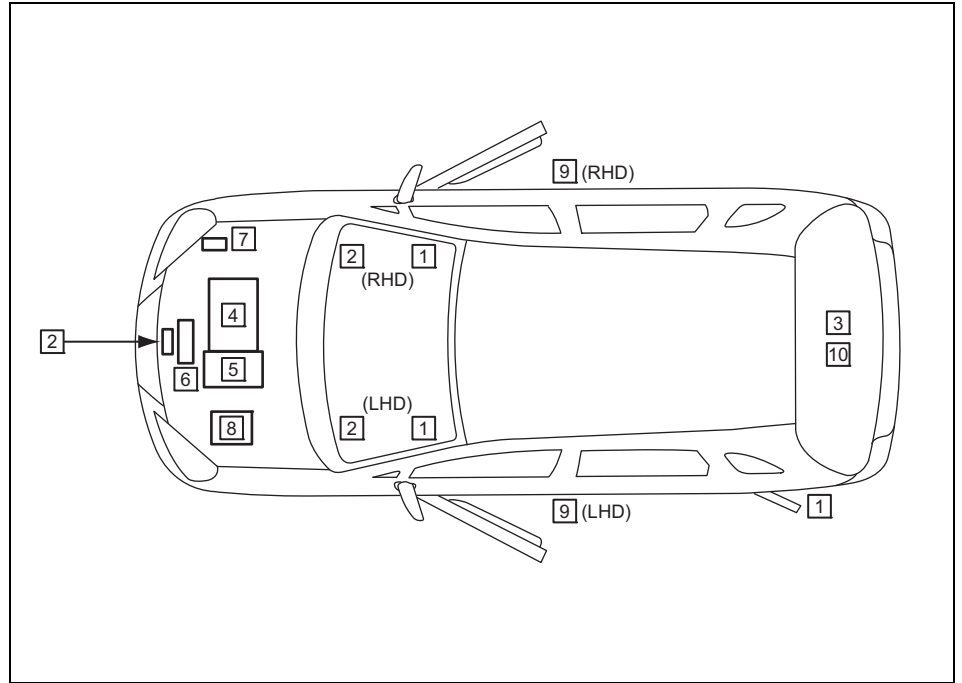
- Airbag components and all other pyrotechnic items, including their components (e.g. cushion, control devices and sensors)
- Seat belt system, including their components (e.g. webbing, buckles and retractors)

The airbag and seat belt pretensioner components contain explosive chemicals. These components should be removed and disposed of properly by SUZUKI-authorized service shop or scrap yard to avoid unintended explosion before scrapping.

*The parts remanufactured under SUZUKI's approval can be used as genuine SUZUKI parts in Europe.

SERVICE STATION GUIDE

1. Fuel (see section 1)
2. Engine hood (see section 5)
3. Tyre changing tools (see section 8)
4. Engine oil dipstick <Yellow> (see section 7)
5. CVT fluid dipstick <Orange> (see section 7)
6. Engine coolant (see section 7)
7. Windshield washer fluid (see section 7)
8. Lead-acid battery (see section 7)
9. Tyre pressure (see tyre information label on driver's door lock pillar)
10. Spare tyre (see section 7) / Flat tyre repair kit (see section 8)



LHD: Left Hand Drive
RHD: Right Hand Drive

TABLE OF CONTENTS

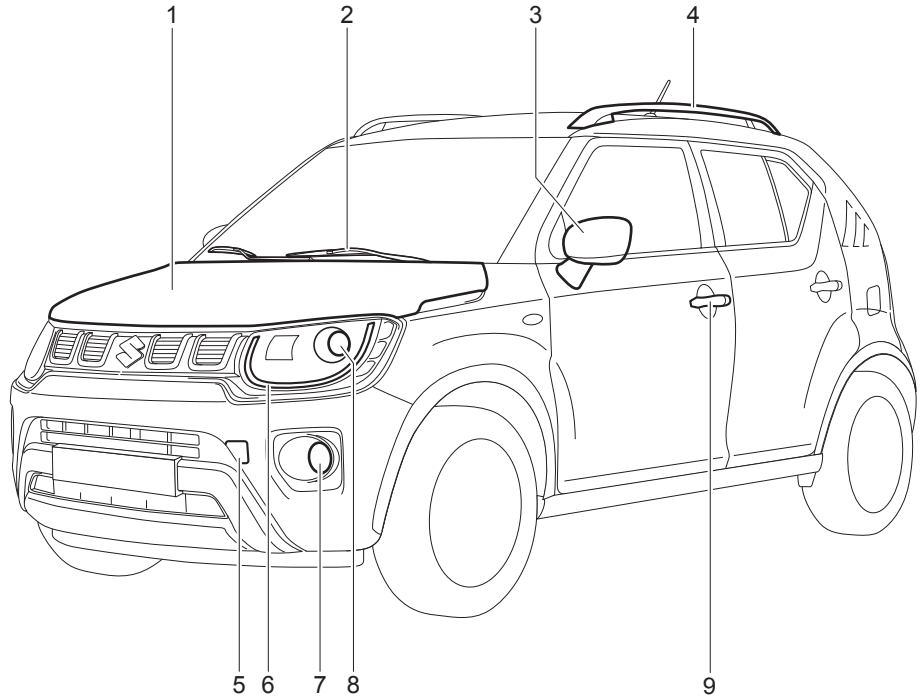
FUEL RECOMMENDATION	1
BEFORE DRIVING	2
OPERATING YOUR VEHICLE	3
DRIVING TIPS	4
OTHER CONTROLS AND EQUIPMENT	5
VEHICLE LOADING AND TOWING	6
INSPECTION AND MAINTENANCE	7
EMERGENCY SERVICE	8
APPEARANCE CARE	9
GENERAL INFORMATION	10
SPECIFICATIONS	11
SUPPLEMENT	12
INDEX	13

ILLUSTRATED TABLE OF CONTENTS

EXTERIOR, FRONT

EXAMPLE

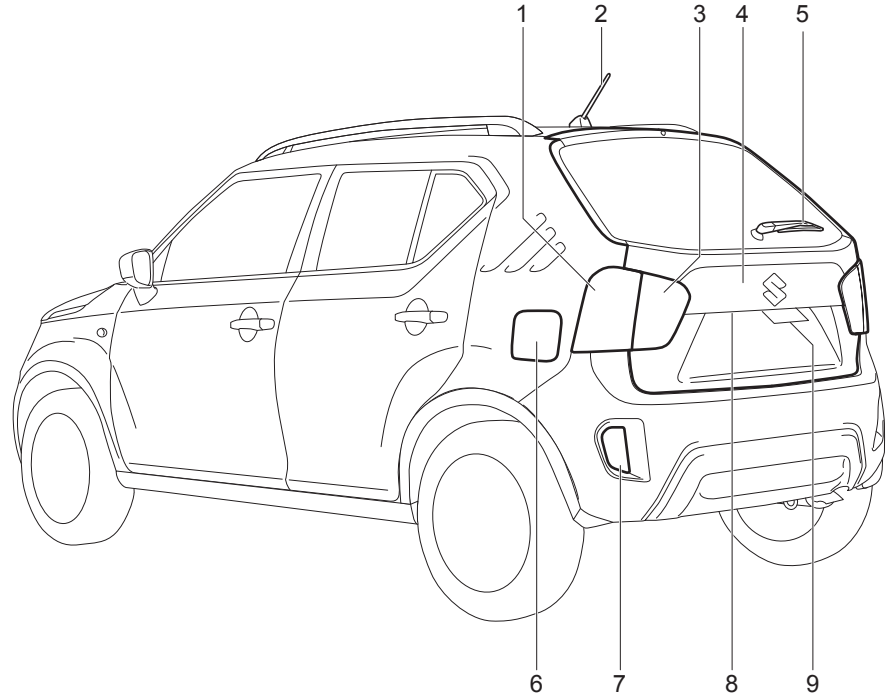
1. Engine hood (P.5-2)
2. Windshield wiper (P.2-133)
3. Outside rearview mirror (P.2-24)
4. Roof rails (if equipped) (P.5-12)
5. Frame hook (P.5-13)
6. Daytime running light (if equipped) (P.2-125, 7-55)
7. Front fog light (if equipped) (P.2-127, 7-54)
8. Headlight (P.2-124, 7-53)
9. Door locks (P.2-2)



EXTERIOR, REAR

EXAMPLE

1. Rear combination light (P.7-56)
2. Radio antenna (P.5-33)
3. Reversing light (P.7-56)
4. Tailgate (P.2-5)
5. Rear window wiper (P.2-135)
6. Fuel filler cap (P.5-1)
7. Rear fog light (if equipped)
(P.2-127, 7-58)
8. Rearview camera (if equipped)
(P.3-65)
9. License plate light (P.7-57)

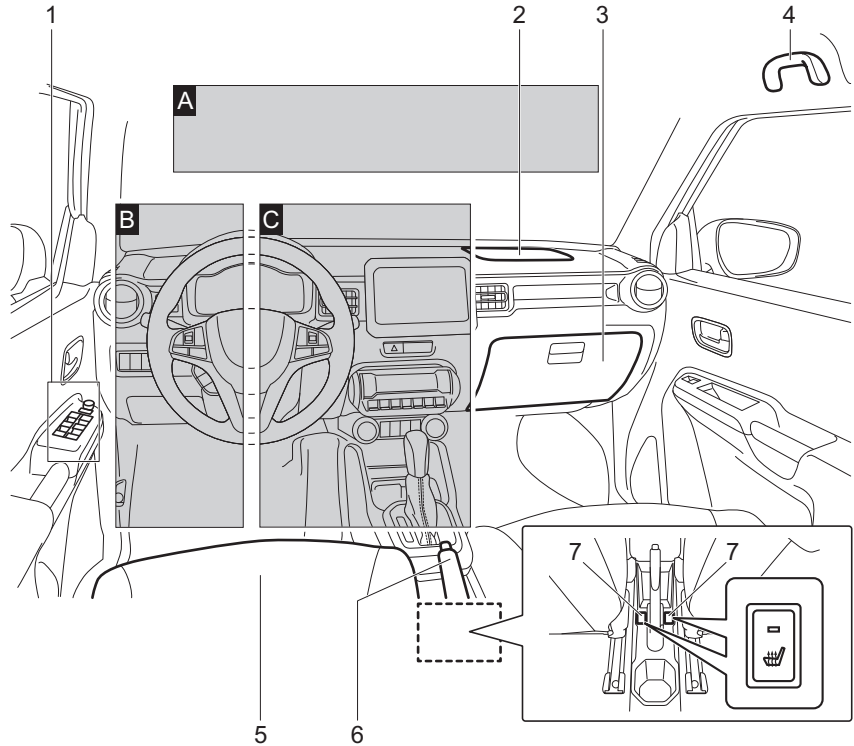


ILLUSTRATED TABLE OF CONTENTS

INTERIOR, FRONT

EXAMPLE

1. Electric window controls (if equipped) (P.2-20)
Electric mirror control switch (if equipped) (P.2-24)
Outside rearview mirror folding switch (if equipped) (P.2-24)
2. Front passenger's front airbag (P.2-63)
3. Glove box (P.5-8)
4. Assist grip (if equipped) (P.5-7)
5. Front seats (P.2-27)
Side airbags (if equipped) (P.2-67)
6. Parking brake lever (P.3-10)
7. Front seat heater switch (if equipped) (P.2-28)



1. Sun visor (P.5-4)
2. Front interior light (P.5-5, 7-53)
3. Stereo camera (if equipped) (P.3-56)
4. Inside rearview mirror (P.2-23)
5. Hands-free microphone (if equipped) (P.5-67)
6. Warning label for front passenger's front air bag (P.2-62) *1, *2

VIEW A

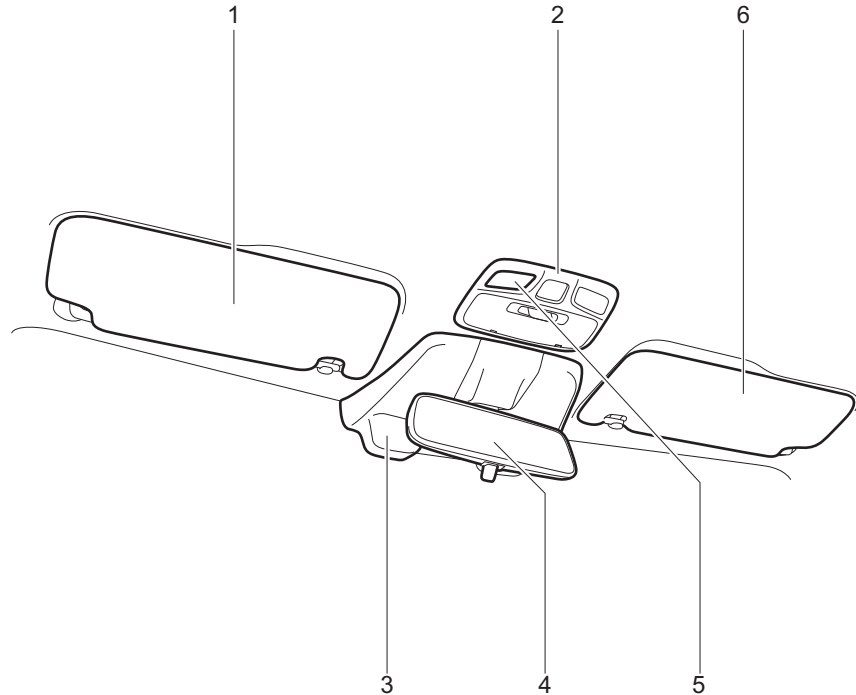
EXAMPLE

*1 Be sure to read the detailed information in the target page before using a child restraint system.

*2 NEVER use a rearward facing child restraint on a seat protected by an ACTIVE AIRBAG in front of it, DEATH or SERIOUS INJURY to the CHILD can occur.



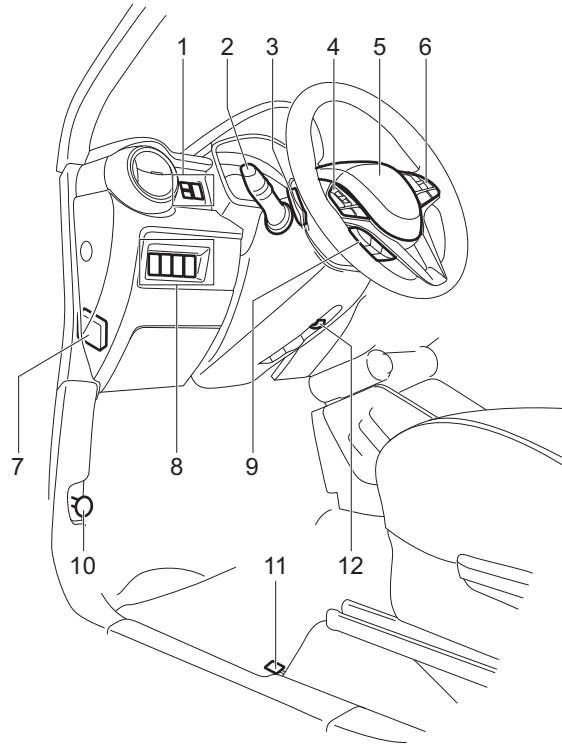
72M00150



ILLUSTRATED TABLE OF CONTENTS

1. Brightness control switch
(if equipped) (P.2-77)/
Information switch (if equipped)
(P.2-80)/
Trip meter switch (if equipped)
(P.2-80)
2. Lighting control lever (P.2-124)/
Turn signal control lever (P.2-131)/
Front fog light switch (if equipped)
(P.2-127)/
Rear fog light switch (if equipped)
(P.2-127)
3. Shift paddles (if equipped) (P.3-22)
4. Remote audio controls (if equipped)
(P.5-79)
5. Driver's front airbag (P.2-63)
6. Cruise control switches (if equipped)
(P.3-41)/
Speed limiter switches (if equipped)
(P.3-44)
7. Fuses (P.7-50)
8. Headlight leveling switch (if equipped)
(P.2-131)/
ENG A-STOP OFF switch
(if equipped) (P.3-38)/
ESP[®] OFF switch (if equipped)
(P.3-73)
9. Hands-free switches (if equipped)
(P.5-67)
10. Engine hood release handle (P.5-2)
11. Fuel lid opener lever (P.5-1)
12. Tilt steering lock lever (P.2-136)

VIEW B

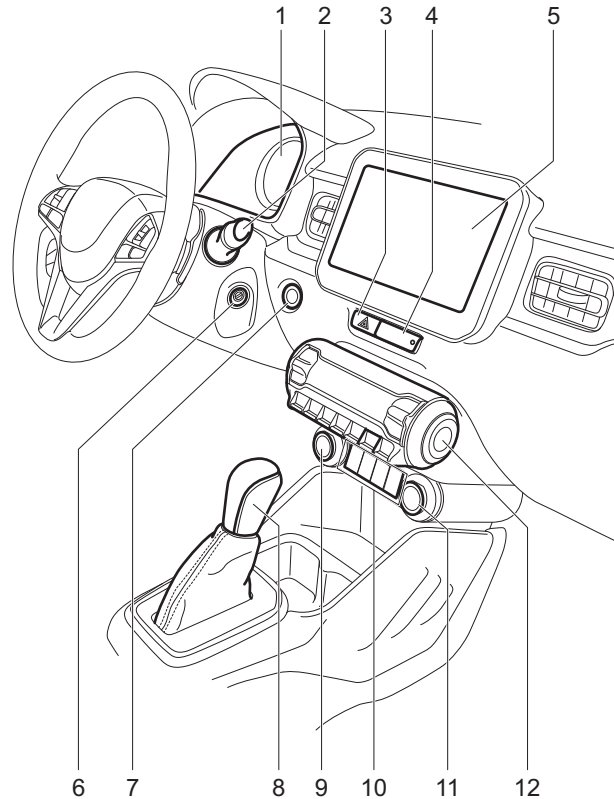


EXAMPLE

1. Instrument cluster (P.2-75)/
Information display (P.2-79, P.2-101)
2. Windshield wiper and washer lever
(P.2-133)/
Rear window wiper/washer switch
(P.2-135)
3. Hazard warning switch (P.2-133)
4. Front passenger airbag deactivation
system indicator (if equipped)
(P.2-72)/
Theft deterrent alarm system
(if equipped) (P.2-16)/
Theft deterrent light (if equipped)
(P.2-19)
5. Audio (if equipped) (P.5-34)
6. Ignition switch (vehicle without
keyless push start system) (P.3-3)
7. Engine switch (vehicle with keyless
push start system) (P.3-5)
8. Gearshift lever (P.3-17)
9. AUX/USB socket (if equipped) (P.5-7)
10. Dual camera brake support OFF
switch (if equipped) (P.3-54)/
Lane departure warning OFF switch
(if equipped) (P.3-55)/
Hill descent control switch
(if equipped) (P.3-74)/
Grip control switch (if equipped)
(P.3-76)
11. Accessory socket (P.5-6)
12. Heating and air conditioning system
(P.5-16)/
Heated rear window switch /
Heated outside rearview mirror switch
(if equipped) (P.2-137)

VIEW C

EXAMPLE

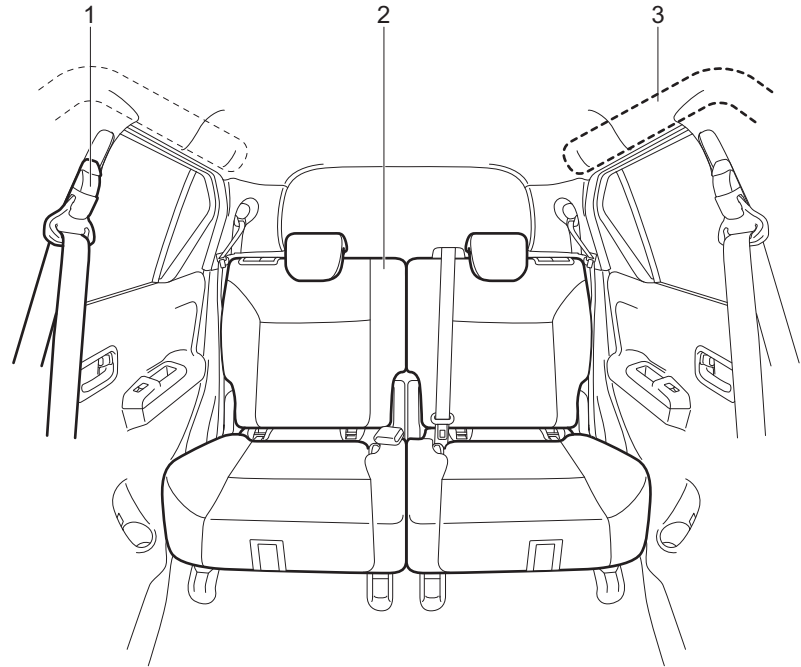


ILLUSTRATED TABLE OF CONTENTS

INTERIOR, REAR

1. Seat belts (P.2-33)
2. Rear seats (P.2-29)
3. Side curtain airbags (if equipped)
(P.2-67)

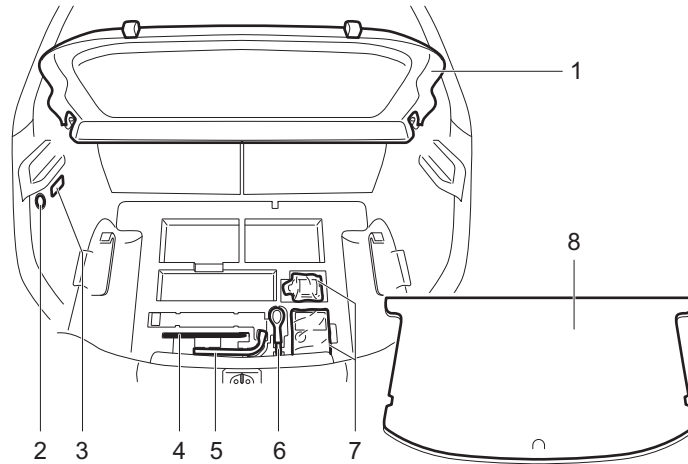
EXAMPLE



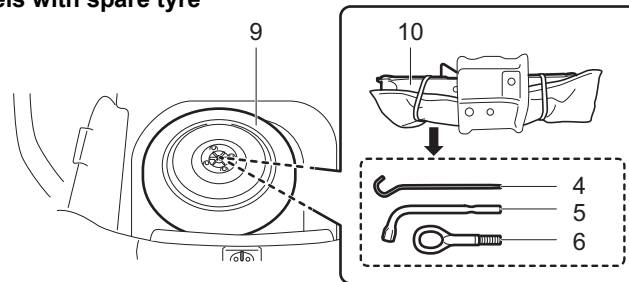
LUGGAGE COMPARTMENT

EXAMPLE

1. Luggage compartment cover (if equipped) (P.5-12)
2. Accessory socket (if equipped) (P.5-6)
3. Luggage compartment light (P.5-5, 7-53)
4. Jack handle (P.8-1)
5. Wheel brace (P.8-1)
6. Towing hook (P.5-13)
7. Flat tyre repair kit (if equipped) (P.8-6)
8. Luggage compartment board
9. Spare tyre (if equipped) (P.8-1)
10. Jack (if equipped) (P.8-1)

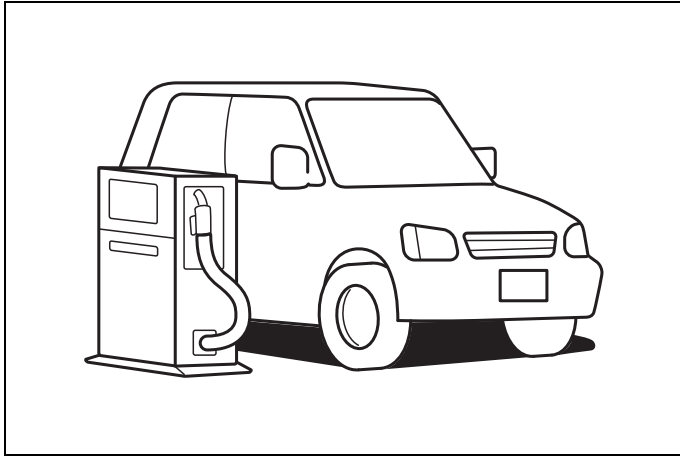


Models with spare tyre



FUEL RECOMMENDATION

Fuel recommendation 1-1

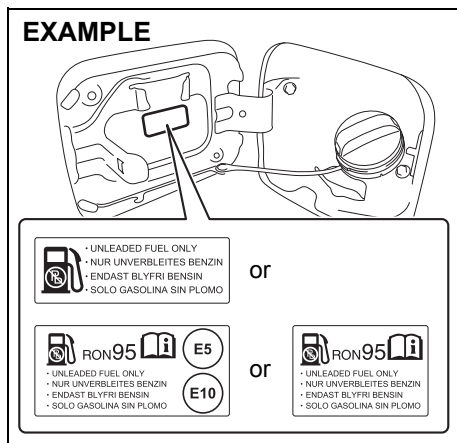


65D394

FUEL RECOMMENDATION

Fuel recommendation

Gasoline engine

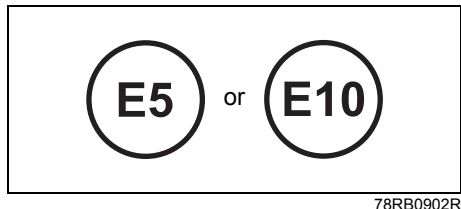


To avoid damaging the catalytic converter, you **must** use unleaded gasoline with an octane number (RON) of 91 or higher (or 95 or higher if it is stated on the fuel filler lid), which comply with the European standard EN228. These vehicles are also identified by a label attached near the fuel filler pipe that states: “UNLEADED FUEL ONLY”, “NUR UNVERBLEITES BENZIN”, “ENDAST BLYFRI BENSIN” or “SOLO GASOLINA SIN PLOMO”.

Gasoline-ethanol blends

Blends of unleaded gasoline and ethanol (grain alcohol), also known as gasohol, are commercially available in certain areas. Blends of this type may be used in your vehicle if they are no more than 10% ethanol. Check that this gasoline-ethanol blend has octane ratings no lower than those recommended for the gasoline.

Use the recommended gasoline which conforms to the following labels.



NOTE:

If you are not satisfied with the driveability or fuel economy of your vehicle when you use a gasoline-alcohol blend, you should switch back to unleaded gasoline containing no alcohol.

Gasoline containing MTBE (where legally available)

Unleaded gasoline containing MTBE (methyl tertiary butyl ether) may be used in your vehicle if the MTBE content is not greater than 15%. This oxygenated fuel does not contain alcohol.

NOTICE

The fuel tank has an air space to allow for fuel expansion in hot weather. If you continue to add fuel after the filler nozzle has automatically shut off or an initial blowback occurs, the air chamber will become full. Exposure to heat when fully fuelled in this manner will result in leakage due to fuel expansion. To prevent such fuel leakage, stop filling after the filler nozzle has automatically shut off, or when initial vent blowback occurs, if using an alternative non-automatic system.

NOTICE

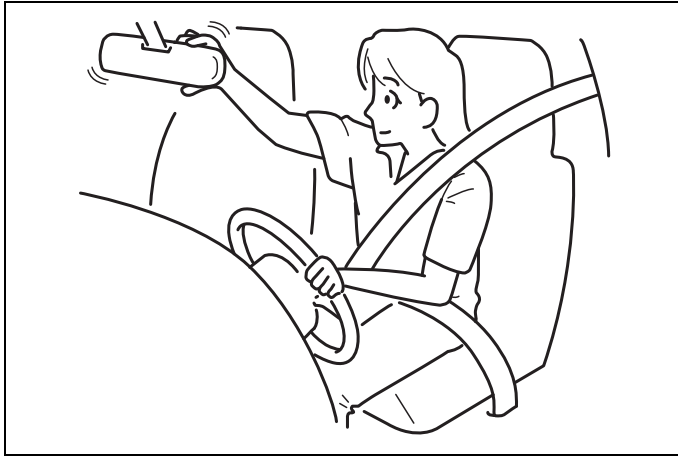
Be careful not to spill fuel containing alcohol while refueling. If fuel is spilled on the vehicle body, wipe it up immediately. Fuels containing alcohol can cause paint damage, which is not covered under the New Vehicle Limited Warranty.

NOTE:

- *For the fuel recommendation of Chile and Panama models, refer to “For Chile and Panama” in the “SUPPLEMENT” section.*
- *For the fuel recommendation of Mexico models, refer to “For Mexico” in the “SUPPLEMENT” section.*
- *For the fuel recommendation of Argentina models, refer to “For Argentina” in the “SUPPLEMENT” section.*
- *For the fuel recommendation of Ukraine models, refer to “For Ukraine” in the “SUPPLEMENT” section.*

MEMO

BEFORE DRIVING



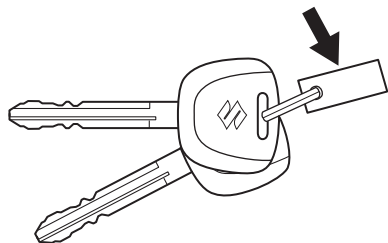
60G404

Keys	2-1
Door locks	2-2
Keyless push start system remote controller /	
Keyless entry system transmitter (if equipped)	2-7
Theft deterrent alarm system (if equipped)	2-16
Theft deterrent light (if equipped)	2-19
Windows	2-20
Mirrors	2-23

Front seats	2-27
Rear seats	2-29
Seat belts and child restraint systems	2-33
Child restraint system for countries applied for	
UN Regulation No.16-06	2-45
Child restraint system for countries applied for	
UN Regulation No.16-08	2-51
Supplemental restraint system (airbags)	2-61
Instrument cluster	2-75
Speedometer	2-76
Tachometer (if equipped)	2-76
Fuel gauge	2-77
Brightness control	2-77
Information display (instrument cluster	
with tachometer)	2-79
Information display (instrument cluster	
without tachometer)	2-101
Warning and indicator lights	2-109
Lighting control lever	2-124
Headlight leveling switch	
(if equipped)	2-131
Turn signal control lever	2-131
Hazard warning switch	2-133
Windshield wiper and washer lever	2-133
Tilt steering lock lever	2-136
Horn	2-136
Heated rear window switch /	
Heated outside rearview mirror switch (if equipped) ...	2-137

Keys

EXAMPLE



54G489

Your vehicle comes with a pair of identical keys. Keep the spare key in a safe place. One key can open all of the locks on the vehicle.

The key identification number is stamped on a metal tag provided with the keys or on the keys. Keep the tag (if equipped) in a safe place. If you lose your keys, you will need this number to have new keys made. Write the number below for your future reference.

KEY NUMBER:

Immobilizer system

This system is designed to help prevent vehicle theft by electronically disabling the engine starting system.

The engine can be started only with your vehicle's original immobilizer ignition key or keyless push start system remote controller, which has an electronic identification code programmed into it. The key or remote controller communicates the identification code to the vehicle when the ignition switch is turned to "ON" position or the engine switch is pressed to change the ignition mode to ON. If you need to make spare keys or remote controllers, see your SUZUKI dealer. The vehicle must be programmed with the correct identification code for the spare. A key made by an ordinary locksmith will not work.



80JM122

If the immobilizer/keyless push start system warning light blinks when the ignition switch is in "ON" position or the ignition mode is ON, the engine will not start.

NOTICE

Do not modify or remove the immobilizer system. If modified or removed, the system cannot be properly operated.

NOTE:

- If the immobilizer/keyless push start system warning light blinks or comes on, a message may be shown on the information display.
- This immobilizer system is maintenance-free.

For vehicles without a keyless push start system

If this light blinks, turn the ignition switch to "LOCK" position, and then turn it back to "ON" position.

If the light still blinks after the ignition switch is turned back to "ON" position, there may be something wrong with your key or with the immobilizer system. Ask your SUZUKI dealer to have the system inspected.

For vehicles with a keyless push start system

If this light blinks, change the ignition mode to LOCK (OFF), and then change it back to ON. Also refer to “If the master warning indicator light blinks and the engine cannot be started” in “Starting / stopping engine (vehicle with keyless push start system)” in the “OPERATING YOUR VEHICLE” section.

If the light still blinks after the ignition mode is changed back to ON, there may be something wrong with your key or with the immobilizer system. Ask your SUZUKI dealer to have the system inspected.

The immobilizer/keyless push start system warning light may also blink if the remote controller is not in the vehicle when you close the door or attempt to start the engine.

NOTE:

- If you lose your immobilizer ignition key or remote controller, ask your SUZUKI dealer as soon as possible to deactivate the lost one, and to make a new key or remote controller.
- If you own other vehicles with immobilizer keys, keep those keys away from the ignition switch or the engine switch when using your SUZUKI vehicle. Otherwise, or the engine may not be started because they may interfere with your SUZUKI vehicle’s immobilizer system.

- If you attach any metal objects to the immobilizer key or remote controller, it may not start the engine.

NOTICE

The immobilizer key and remote controller are sensitive electronic instruments. To avoid damaging them:

- Do not expose them to impacts, moisture or high temperature such as on the dashboard under direct sunlight.
- Keep them away from magnetic objects.

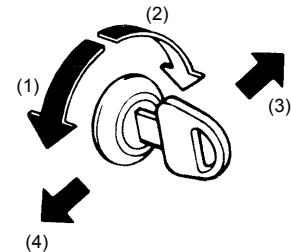
Ignition key reminder

A buzzer sounds intermittently to remind you to remove the ignition key if it is in the ignition switch when the driver’s door is opened.

Door locks

Side door locks

EXAMPLE



60B008

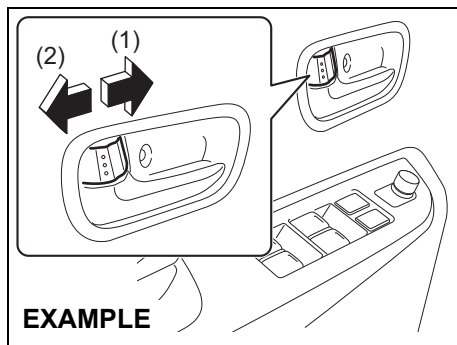
- (1) LOCK
- (2) UNLOCK
- (3) Rear
- (4) Front

To lock a driver’s door from the outside of the vehicle:

- Insert a key and turn the top of the key toward the front of the vehicle, or
- Turn the lock knob forward, then pull and hold the door handle as you close the door.

BEFORE DRIVING

To unlock a driver's door from the outside of the vehicle, insert the key and turn the top of the key toward the rear of the vehicle.



75RM151

- (1) LOCK
- (2) UNLOCK

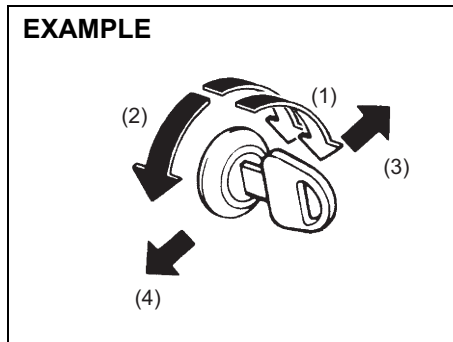
To lock a door from the inside of the vehicle, turn the lock knob forward. Turn the lock knob backward to unlock the door.

To lock a rear door from the outside of the vehicle, turn the lock knob forward and close the door. You do not need to pull and hold the door handle as you close the door.

NOTE:

Hold the door handle when you close a locked front door, or the door will not remain locked.

Central door locking system



54P000251

- (1) UNLOCK
- (2) LOCK
- (3) Rear
- (4) Front

You can lock and unlock all doors (including the tailgate) simultaneously by using the key in the driver's door lock.

To lock all doors simultaneously, insert the key in the driver's door lock and turn the top of the key toward the front of the vehicle once.

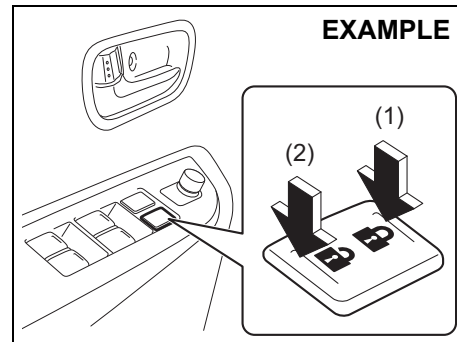
- For models except for Hong Kong, to unlock the driver's door only, insert the key in that door lock and turn the top of the key toward the rear of the vehicle once. To unlock all doors simultaneously,

insert the key in the driver's door lock and turn the top of the key toward the rear of the vehicle twice.

- For Hong Kong models, to unlock all doors simultaneously, insert the key in the driver's door lock and turn the top of the key toward the rear of the vehicle once.

NOTE:

For models except for Hong Kong, you can switch the function that unlocks all doors from requiring two turns to requiring one turn, and vice versa, via the information display setting mode. For details on how to use the information display, refer to "Information display" in this section.



75RM152

- (1) LOCK
- (2) UNLOCK

You can also lock or unlock all doors by pressing the front or rear of the switch, respectively.

NOTE:

- You can also lock or unlock all doors by operating the transmitter or remote controller. Refer to “Keyless push start system remote controller / Keyless entry system transmitter” in this section.
- If your vehicle is equipped with the keyless push start system, you can also lock or unlock all doors by pushing the request switch. Refer to “Keyless push start system remote controller / Keyless entry system transmitter” in this section.

Dead lock system (if equipped)

This system is designed to help prevent tamper-unlocking of the door locks.

You can activate this system by turning the key in the driver’s door lock.

NOTE:

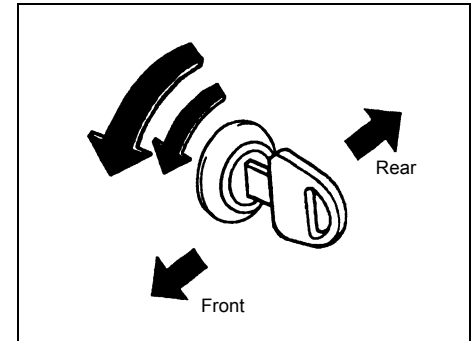
- You can also activate the dead lock system by operating the transmitter or remote controller. Refer to “Keyless push start system remote controller / Keyless entry system transmitter” in this section.
- If your vehicle is equipped with the keyless push start system, you can also activate the dead lock system by pushing the request switch. Refer to “Keyless push start system remote controller / Keyless entry system transmitter” in this section.

⚠ WARNING

Do not activate the dead lock system if there are occupants in the vehicle. They will be locked in the vehicle and unable to unlock the doors from inside.

NOTE:

- The dead lock system will not operate if one or more door(s) is (are) not closed and latched completely. Check that all doors (including the tailgate) are completely closed and latched when activating the dead lock system.
- The dead lock system is released automatically, allowing all the side doors to be unlocked when the ignition switch is turned to “ON” position or the engine switch is pressed to change the ignition mode to ON.



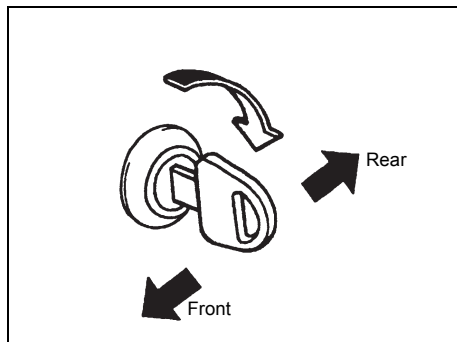
83E105

BEFORE DRIVING

To activate this system:

Insert the key in the driver's door lock and turn the top of the key toward the front of the vehicle twice within 3 seconds.

You cannot use the lock knobs to unlock the side doors when this system is activated.



54P000259

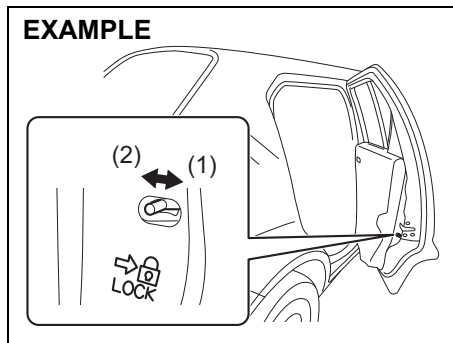
To release this system:

To unlock the driver's door, insert the key in the driver's door lock and turn the top of the key toward the rear of the vehicle once.

NOTE:

You can switch the function that unlocks all doors from requiring two turns to requiring one turn, and vice versa, via the information display setting mode. For details on how to use the information display, refer to "Information display" in this section.

Child-proof locks (rear door)



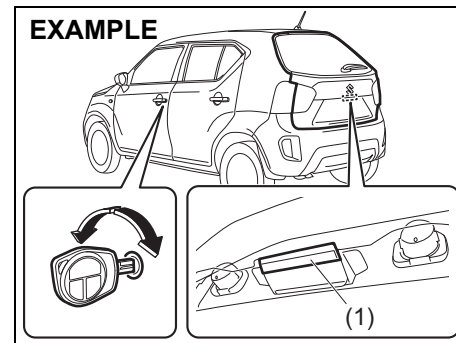
- (1) LOCK
- (2) UNLOCK

Each of the rear doors is equipped with a child-proof lock which can be used to help prevent unwanted opening of the door from inside the vehicle. When the lock lever is in LOCK position (1), the rear door can only be opened from outside. When the lock lever is in UNLOCK position (2), the rear door can be opened from inside or outside.

WARNING

Place the child-proof lock in **LOCK** position whenever children are seated in the rear.

Tailgate



You can lock and unlock the tailgate by using the key in the driver's door lock.

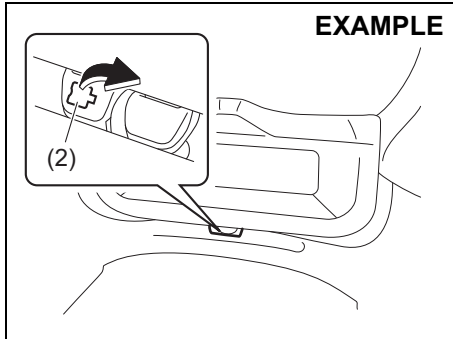
To open the tailgate, pull up the tailgate handle (1) and lift the tailgate.

WARNING

Always check that the tailgate is closed and latched securely. Completely closing the tailgate helps prevent occupants from being thrown from the vehicle in the event of an accident. Completely closing it also helps keep exhaust gases from entering the vehicle.

If you cannot unlock the tailgate by using the key in the driver's door lock due to a discharged lead-acid battery or malfunction, follow the procedure below to unlatch the tailgate from inside the vehicle.

- 1) Remove the luggage compartment cover (if equipped) and fold the rear seat forward for easier access. Refer to "Folding rear seats" section for details on how to fold the rear seat forward.

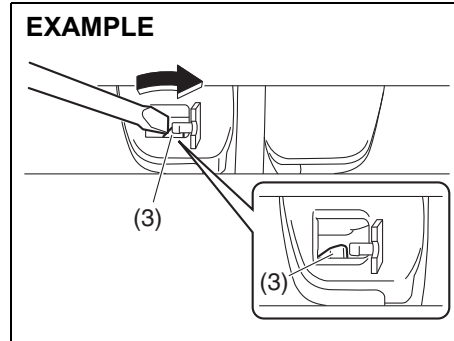


62R0366

- 2) Open the cover (2) in the lock mechanism of the tailgate.

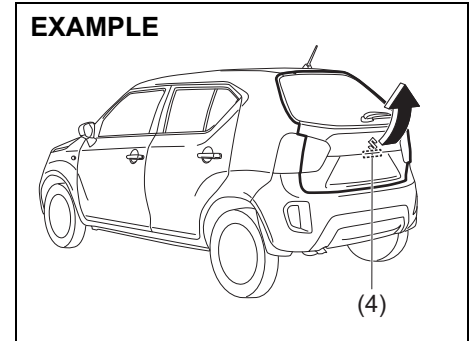
NOTE:

Be careful not to lose the cover (2) because it is small and detachable.



65P30080

- 3) Move the lever (3) in arrow direction by using a flat-bladed screwdriver to unlock the tailgate.

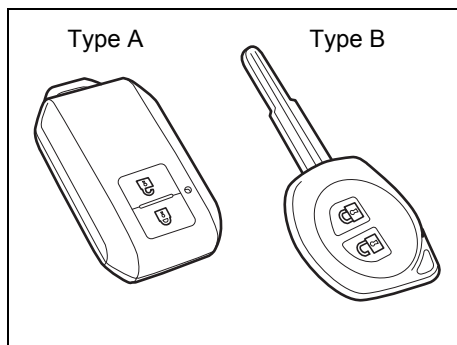


73SB02020

- 4) From the outside of the vehicle, pull up the tailgate handle (4) and lift the tailgate.

If the tailgate cannot be unlocked, have the vehicle inspected by your SUZUKI dealer.

Keyless push start system remote controller / Keyless entry system transmitter (if equipped)



Your vehicle is equipped with either a keyless push start system remote controller (Type A) or a keyless entry system transmitter (Type B). The remote controller has a keyless entry system and a keyless push start system. The transmitter has only a keyless entry system. For details, refer to the following explanations.

⚠ WARNING

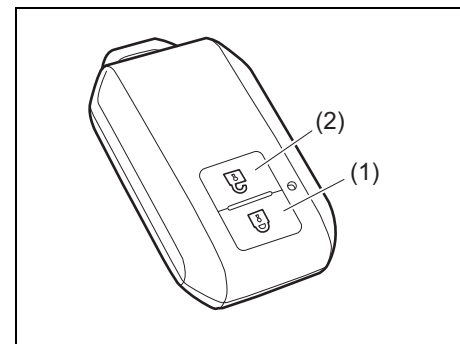
Radio waves from the keyless push start system antenna(s) may interfere with operation of electrical medical equipment such as pacemakers. Failure to take the precautions listed below can increase the risk of severe injury or death due to radio wave interference.

- Anyone who uses electrical medical equipment such as a pacemaker should consult the medical equipment supplier or their medical advisor about whether radio waves from the antenna(s) can interfere with the medical equipment.
- If radio wave interference is a concern, have the function of the antenna(s) disabled by your SUZUKI dealer.

Keyless push start system remote controller (Type A)

The remote controller enables the following operations:

- You can lock or unlock the doors by operating LOCK/UNLOCK buttons on the remote controller. Refer to the explanation in this section.
- You can lock or unlock the doors by pushing the request switch. For details, refer to the explanation in this section.
- You can start the engine without using an ignition key. For details, refer to “Engine switch” in the “OPERATING YOUR VEHICLE” section.



- (1) LOCK button
- (2) UNLOCK button

There are two ways to lock or unlock all doors (including the tailgate) simultaneously by operating the remote controller near the vehicle.

Central door locking system

- To lock all doors, push LOCK button (1) once.
- For models except for Hong Kong, to unlock only the driver's door, push UNLOCK button (2) once. To unlock other doors, push UNLOCK button (2) once again.
- For Hong Kong models, to unlock all doors, push UNLOCK button (2) once.

NOTE:

For models except for Hong Kong, you can switch the function that unlocks all doors from requiring two pushes to requiring one push, and vice versa, via the information display setting mode. For details on how to use the information display, refer to "Information display" in this section.

The turn signal lights will flash once and the exterior buzzer will sound once when the doors are locked.

Central door locking system with the dead lock system (if equipped)

If you want to prevent tamper-unlocking of the door locks, use this method. When the dead lock system is activated, operating the lock knobs will not unlock the side doors.

To activate this system:

To lock all doors, push LOCK button (1) twice within 3 seconds.

To release this system:

- To unlock only the driver's door, push UNLOCK button (2) once.
- To unlock other doors, push UNLOCK button (2) once again.

NOTE:

You can switch the function that unlocks all doors from requiring two pushes to requiring one push, and vice versa, via the information display setting mode. For details on how to use the information display, refer to "Information display" in this section.

WARNING

Do not activate the dead lock system if there are occupants in the vehicle. They will be locked in the vehicle and cannot unlock the doors from inside.

The turn signal lights will flash once and the exterior buzzer will sound once when the doors are locked, and then the turn signal lights will flash once and the exterior buzzer will sound once again when the doors are locked with the dead lock system.

With the remote controller inside the vehicle, if you push LOCK button on the remote controller, the exterior buzzer will sound and doors cannot be locked.

When the doors are unlocked:

- The turn signal lights will flash twice and the exterior buzzer will sound twice.
- If the interior light switch is in DOOR position, the interior light will turn on for about 15 seconds and then fade out. If you press the engine switch during this time, the light will start to fade out immediately.

Check that the doors are locked after you operate LOCK button (1).

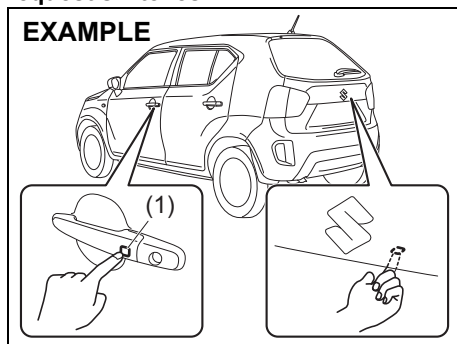
If no door is opened within about 30 seconds after UNLOCK button (2) is operated, the doors will automatically lock again.

NOTE:

- *The maximum operating distance of the remote controller is about 5 m (16 ft.), but this can vary depending on the surroundings, especially near other transmitting devices such as radio towers or CB (Citizen's Band) radios.*
- *The door locks cannot be operated with the remote controller if the ignition mode is in any other mode than LOCK (OFF).*
- *When any door is open, if you push LOCK button on the remote controller, the exterior buzzer will sound and doors cannot be locked.*
- *If you lose one of the remote controllers, ask your SUZUKI dealer as soon as possible for replacement. Have your dealer program the new remote controller code in your vehicle's memory so that the old code is erased.*

BEFORE DRIVING

Keyless unlocking/locking using the request switches



When the remote controller is within the operating range described in this section, you can lock or unlock the doors (including the tailgate) by pushing the request switch (1) on the driver's door handle, front passenger's door handle or tailgate. If you want to prevent tamper-unlocking of the door locks, you can activate the dead lock system.

When all doors are unlocked:

- To lock all doors, push one of the request switches once.
- To lock all doors with the dead lock system, push one of the request switches twice within about 3 seconds.

The turn signal lights will flash once and the exterior buzzer will sound once when the doors are locked, and then the turn signal lights will flash once and the exterior buzzer will sound once again when the doors are locked with the dead lock system.

⚠ WARNING

Do not activate the dead lock system if there are occupants in the vehicle. They will be locked in the vehicle and cannot unlock the doors from inside.

To unlock a door or all doors:

- Push one of the request switches once to unlock only one door.
- For models except for Hong Kong, to unlock only one door, push one of the request switches once. To unlock all doors, push one of the request switches twice.
- For Hong Kong models, to unlock all doors, push one of the request switches once.

NOTE:

For models except for Hong Kong, you can switch the function that unlocks all doors from requiring two pushes to requiring one push, and vice versa, via the information display setting mode. For details on how to use the information display, refer to "Information display" in this section.

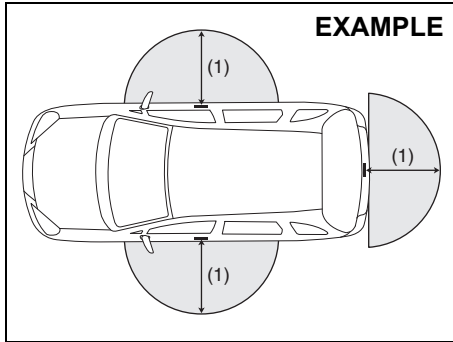
When the doors are unlocked:

- The turn signal lights will flash twice and the exterior buzzer will sound twice.
- If the interior light switch is in DOOR position, the interior light will turn on for about 15 seconds and then fade out. If you press the engine switch during this time, the light will start to fade out immediately.

Check that the doors are locked after you operate the request switch to lock the doors.

NOTE:

- *The door locks cannot be operated by the request switch under the following conditions:*
 - *If any door is open or is not completely closed.*
 - *If the ignition mode is in any other mode than LOCK (OFF).*
- *If no doors are opened within about 30 seconds after unlocking the doors by pushing the request switch, the doors will be locked again automatically.*



80J056

(1) 80 cm (2 1/2 feet)

When the remote controller is within approximately 80 cm (2 1/2 feet) from a front door handle or the tailgate switch, you can lock or unlock the doors by pushing the request switch.

NOTE:

- If the remote controller is outside the request switch operating range described above, you will not be able to operate the request switch.
- If the battery of the remote controller runs down or there are strong radio waves or noise, the request switch operating range may be reduced or the remote controller may be inoperative.
- If the remote controller is too close to the door glass, the request switches may not operate.

- If a spare remote controller is in the vehicle, the request switches may not operate normally.
- The remote controller will only operate a request switch if it is within the switch's operating range. For example, if the remote controller is within the operating range of the driver's door request switch but not the front passenger's door request switch or the tailgate request switch, the driver's door switch can be operated but the front passenger's door switch or tailgate switch cannot be operated.

NOTICE

The remote controller is a sensitive electronic instrument. To avoid damaging the remote controller:

- Do not expose it to impacts, moisture or high temperature such as by leaving it on the dashboard under direct sunlight.
- Keep the remote controller away from magnetic objects such as a television.

NOTE:

The keyless push start system may not function correctly in certain environments or under certain operating conditions such as the following:

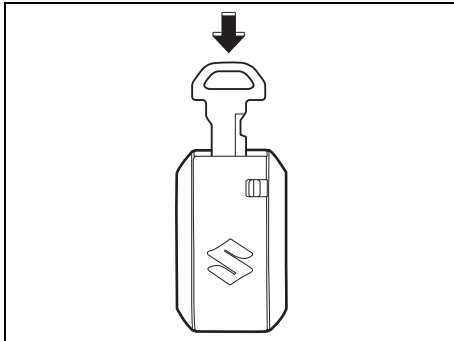
- When there are strong signals coming from a television, power station or a cellular phone.

- When the remote controller is in contact with or covered by a metal object.
- When a radio wave type remote keyless entry is used nearby.
- When the remote controller is placed near an electronic device such as personal computer.

Some additional precautions you should take and information you should be aware of are:

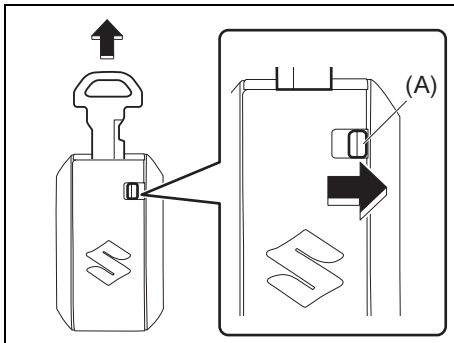
- Check that the key is stowed in the remote controller. If the remote controller becomes unreliable, you will not be able to lock or unlock the doors.
- Check that the driver always carries the remote controller.
- If you lose one of the remote controllers, ask your SUZUKI dealer as soon as possible for a replacement. Have your dealer program the new remote controller code in your vehicle's memory so that the old code is erased.
- You can use up to four remote controllers and the keys for your vehicle. Ask your SUZUKI dealer for details.
- The battery life of the remote controller is about two years, but it can vary depending on usage conditions.

BEFORE DRIVING



52RM20080

To stow the key into the remote controller, push the key in the remote controller until you hear a click.



52RM20090

To remove the key from the remote controller, slide the lock knob (A) in arrow direction

and pull the key out from the remote controller.

Request switch warning buzzer

This exterior buzzer beeps for about 2 seconds in the following conditions to warn you that the request switch is not working:

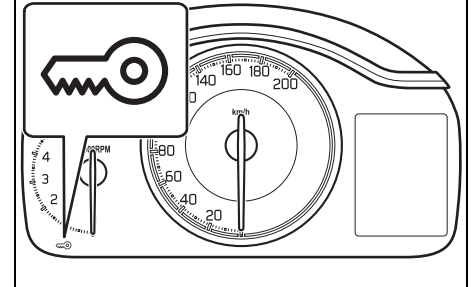
- The request switch is pressed after all doors are closed with the ignition mode changed to ACC or ON position by pressing the engine switch when the remote controller is outside the vehicle.
- The request switch is pressed in any of the following conditions after changing the ignition mode to LOCK (OFF) by pressing the engine switch.
 - The remote controller is left inside the vehicle.
 - Any door (including the tailgate) is open.

Press the request switch again after doing the following:

With the ignition mode changed to LOCK (OFF) by pressing the engine switch, bring out the remote controller if it is inside the vehicle and check that all doors are completely closed.

Reminder function

EXAMPLE



66RH014

If the remote controller is not in the vehicle under the following conditions, the buzzer sounds intermittently for about 2 seconds and the immobilizer/keyless push start system warning light on the instrument cluster blinks:

When one or more doors are opened and all of the doors are later closed with the ignition in any other mode than LOCK (OFF).

The indicator light will turn off within several seconds after the remote controller is returned to an area of the vehicle other than the rear luggage area.

If the remote controller is left in the vehicle and you lock the driver's door or front passenger's door as described below, the door will be automatically unlocked.

- If you open the driver's door and lock the door by turning the lock knob forward or pushing the power door locking switch, the driver's door will be automatically unlocked.
- If you open the front passenger's door and lock the door by turning the lock knob forward or pushing the power door locking switch, the front passenger's door will be automatically unlocked.

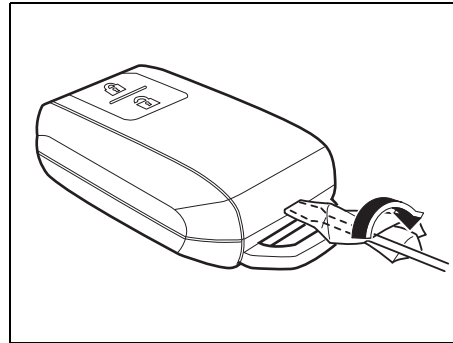
NOTE:

- *The reminder will not operate when the remote controller is on the instrument panel, in the glove box, in a storage compartment, in the sun visor or on the floor, etc.*
- *Check that the driver always carries the remote controller.*
- *Do not leave the remote controller in the vehicle when leaving the vehicle.*

Battery replacement

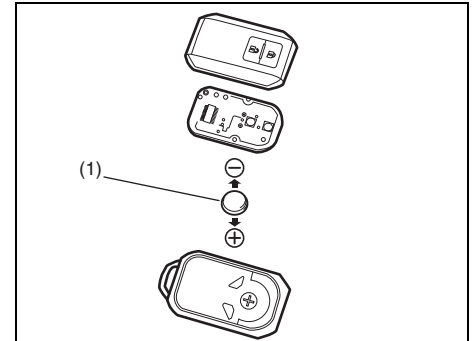
If the remote controller becomes unreliable, replace the battery.

To replace the battery of the remote controller:



52RM20650

- 1) Pull the key out from the remote controller.
- 2) Insert a flat-bladed screwdriver covered with a soft cloth in the slot of the remote controller and pry it open.



52RM20660

- (1) Lithium disc type battery: CR2032 or equivalent
- 3) Replace the battery (1) so its + terminal faces the bottom of the case as shown in the illustration.
- 4) Close the remote controller firmly.
- 5) Check that the door locks can be operated with the remote controller.
- 6) Dispose of the used battery properly according to applicable rules or regulations. Do not dispose of lithium batteries with ordinary household trash.

BEFORE DRIVING

⚠ WARNING

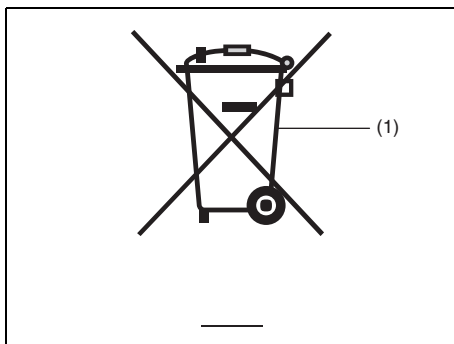
Swallowing a lithium battery may cause serious internal injury. Do not allow anyone to swallow a lithium battery. Keep lithium batteries away from children and pets. If swallowed, contact a physician immediately.

NOTICE

- The remote controller is a sensitive electronic instrument. To avoid damaging it, do not expose it to dust or moisture or tamper with internal parts.
- When replacing the battery by yourself, the remote controller could be damaged affected by static electricity. Discharge the static electricity built up in your body by touching metal before replacing the battery.

NOTE:

- Used batteries must be disposed of properly according to applicable rules or regulations and must not be disposed of with ordinary household trash.
- For handling the lithium battery in the country of Australia, refer to "For Australia" in the "SUPPLEMENT" section.



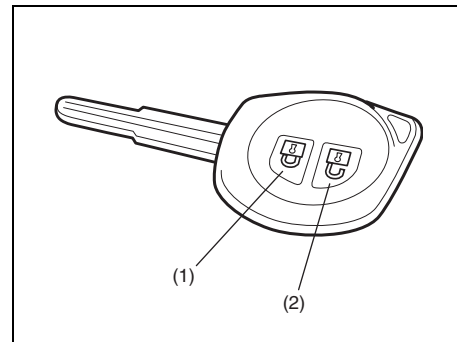
80JM133

(1) Crossed-out wheeled bin symbol

The crossed-out wheeled bin symbol (1) indicates that a used battery should be collected separately from ordinary household trash.

By ensuring the used battery is disposed of or recycled correctly, you will help prevent potential negative consequences for the environment and human health, which could otherwise be caused by inappropriate battery disposal. The recycling of materials will help to conserve natural resources. For more detailed information about disposing of or recycling the used battery, consult your SUZUKI dealer.

Keyless entry system transmitter (Type B)



76MS011

- (1) LOCK button
- (2) UNLOCK button

There are two ways to lock or unlock all doors (including the tailgate) simultaneously by operating the transmitter near the vehicle.

Central door locking system

- To lock all doors, push LOCK button (1) once.
- To unlock only the driver's door, push UNLOCK button (2) once.
- To unlock other doors, push UNLOCK button (2) once again.

NOTE:

You can switch the function that unlocks all doors from requiring two pushes to requiring one push, and vice versa, via the information display setting mode. For details on how to use the information display, refer to "Information display" in this section.

Central door locking system with the dead lock system (if equipped)

If you want to prevent tamper-unlocking of the door locks, use this method. When the dead lock system is activated, operating the lock knobs will not unlock the side doors.

To activate this system:

To lock all doors, push LOCK button (1) twice within 3 seconds.

To release this system:

- To unlock only the driver's door, push UNLOCK button (2) once.
- To unlock other doors, push UNLOCK button (2) once again.

NOTE:

You can switch the function that unlocks all doors from requiring two pushes to requiring one push, and vice versa, via the information display setting mode. For details on how to use the information display, refer to "Information display" in this section.

 WARNING
<p>Do not activate the dead lock system if there are occupants in the vehicle. They will be locked in the vehicle and cannot unlock the doors from inside.</p>

The turn signal lights will flash once when the doors are locked and then the turn signal lights will flash once again when the doors are locked with the dead lock system.

When the doors are unlocked:

- The turn signal lights will flash twice.
- If the interior light switch is in DOOR position, the interior light will turn on for about 15 seconds and then fade out. If you insert the key into the ignition switch during this time, the light will start to fade out immediately.

Check that the doors are locked after you operate LOCK button (1).

NOTE:

If no door is opened within about 30 seconds after UNLOCK button (2) is operated, the doors will automatically lock again.

NOTE:

- *The maximum operating distance of the keyless entry system transmitter is about 5 m (16 ft.), but this can vary depending on the surroundings, especially near other transmitting devices such as radio towers or CB (Citizen's Band) radios.*
- *The door locks cannot be operated with the transmitter, if the ignition key is inserted in the ignition switch.*
- *When any door is open, the door locks can only be unlocked with the transmitter, and the turn signal light will not flash.*
- *If you lose one of the transmitters, ask your SUZUKI dealer as soon as possible for a replacement. Have your dealer program the new transmitter code in your vehicle's memory so that the old code is erased.*

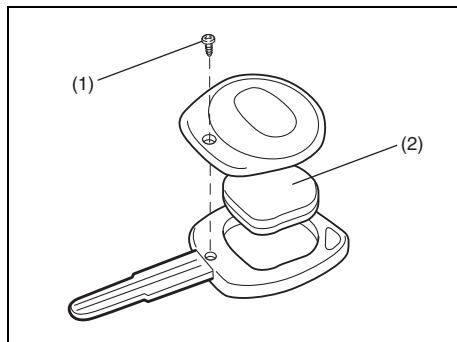
<p>NOTICE</p>
<p>The transmitter is a sensitive electronic instrument. To avoid damaging the transmitter:</p> <ul style="list-style-type: none"> • Do not expose it to impacts, moisture or high temperature such as by leaving it on the dashboard under direct sunlight. • Keep the transmitter away from magnetic objects such as a television.

BEFORE DRIVING

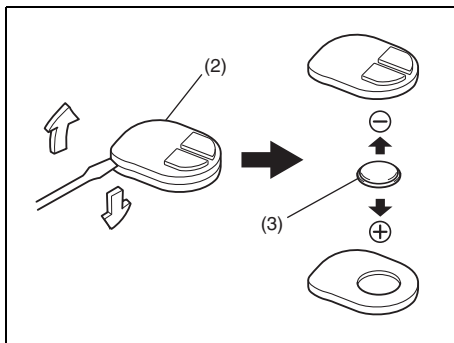
Battery replacement

If the transmitter becomes unreliable, replace the battery.

To replace the battery of the transmitter:



- 1) Remove the screw (1), and open the transmitter cover.
- 2) Remove the transmitter (2).



(3) Lithium disc type battery:
CR1616 or equivalent

- 3) Put the edge of a flat-bladed screwdriver in the slot of the transmitter (2) and pry it open.
- 4) Replace the battery (3) so its + terminal faces "+ " mark of the transmitter.
- 5) Close the transmitter and install it into the transmitter holder.
- 6) Close the transmitter cover, install and tighten the screw (1).
- 7) Check that the door locks can be operated with the transmitter.
- 8) Dispose of the used battery properly according to applicable rules or regulations. Do not dispose of lithium batteries with ordinary household trash.

⚠ WARNING

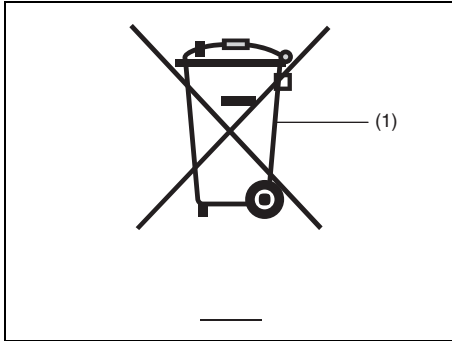
Swallowing a lithium battery may cause serious internal injury. Do not allow anyone to swallow a lithium battery. Keep lithium batteries away from children and pets. If swallowed, contact a physician immediately.

NOTICE

- The transmitter is a sensitive electronic instrument. To avoid damaging it, do not expose it to dust or moisture or tamper with internal parts.
- When replacing the battery by yourself, the transmitter could be damaged affected by static electricity. Discharge the static electricity built up in your body by touching metal before replacing the battery.

NOTE:

- Used batteries must be disposed of properly according to applicable rules or regulations and must not be disposed of with ordinary household trash.
- For handling the lithium battery in the country of Australia, refer to "For Australia" in the "SUPPLEMENT" section.



80JM133

(1) Crossed-out wheeled bin symbol

The crossed-out wheeled bin symbol (1) indicates that a used battery should be collected separately from ordinary household trash.

By ensuring the used battery is disposed of or recycled correctly, you will help prevent potential negative consequences for the environment and human health, which could otherwise be caused by inappropriate battery disposal. The recycling of materials will help to conserve natural resources. For more detailed information about disposing of or recycling of the used battery, consult your SUZUKI dealer.

Theft deterrent alarm system (if equipped)

NOTE:

For the theft deterrent light of Australia, Israel, Germany and Taiwan models, refer to "Theft deterrent light" in this section.

A theft deterrent alarm system is armed in about 20 seconds after you lock the doors. (The system for EU specification vehicle, however, is not armed when the engine hood is open.)

Keyless push start system – Use the remote controller or push the request switch on driver's door handle, front passenger's door handle or tailgate.

Keyless entry system – Use the transmitter.

Once the system is armed, any attempt to open a door by using any other means (*) than the keyless push start system remote controller, the request switch, the keyless entry system transmitter or engine hood (for EU specification vehicle) will cause the alarm to be triggered.

* These means include the following:

- The key
- The lock knob on a door
- The power door locking switch

NOTICE

Do not modify or remove the theft deterrent alarm system. If modified or removed, the system cannot be properly operated.

NOTE:

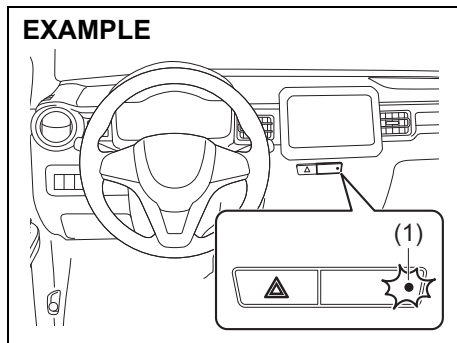
- The theft deterrent alarm system generates alarms when any of the predetermined conditions is met. However, the system does not have any function of blocking unauthorized entry into your vehicle.
- Always use the keyless push start system remote controller, the request switch or the keyless entry system transmitter to unlock the doors when the theft deterrent alarm system has been armed. Using a key instead will trigger the alarm.
- If a person who does not know the theft deterrent alarm system is going to drive your vehicle, we recommend you explain the system and its operation to the person, or disable the system beforehand. Mistakenly triggering the alarm may cause a nuisance to others.
- Even if the theft deterrent alarm system is armed, you should still be careful to guard against theft. Do not leave money or things of value in your vehicle.
- The theft deterrent alarm system is maintenance-free.

BEFORE DRIVING

How to arm the theft deterrent alarm system (when enabled)

Lock all doors (including the tailgate) using the keyless push start system remote controller, the request switch or the keyless entry system transmitter. The theft deterrent light (1) will start blinking, and the theft deterrent alarm system will be armed in about 20 seconds.

While the system is being armed, the indicator continues to blink at intervals of approximately 2 seconds.



75RM313

NOTE:

- To prevent the alarm from being accidentally triggered, avoid arming it while anyone remains inside the vehicle. The alarm will be triggered if any person inside unlocks a door or engine hood (for EU specification vehicle) by operating the lock knob or power door locking switch.
- The theft deterrent alarm system is not armed when all doors are locked using the key from outside, or using the door lock knobs or the power door locking switch from inside.
- If any door is not operated within approximately 30 seconds after the doors have been unlocked using the keyless push start system remote controller, the request switch or the keyless entry system transmitter, the doors are automatically locked again. After the doors are locked, the theft deterrent alarm system will be armed in about 20 seconds if the system is in the enabled state.

How to disarm the theft deterrent alarm system

Simply unlock the doors using the keyless push start system remote controller, the request switch or the keyless entry system transmitter. The theft deterrent light will go out, indicating that the theft deterrent alarm system is disarmed.

How to stop the alarm

Should the alarm be triggered accidentally, unlock the doors using the keyless push start system remote controller, the request switch or the keyless entry system transmitter, or press the engine switch to change the ignition mode to ON or turn the ignition switch to "ON" position. The alarm will then stop.

NOTE:

- Even after the alarm has stopped, if you lock the doors using the keyless push start system remote controller, the request switch or the keyless entry system transmitter, the theft deterrent alarm system will be rearmed with a delay of about 20 seconds.
- If you disconnect the lead-acid battery while the theft deterrent alarm system is in the armed condition or the alarm is actually in operation, the alarm will be triggered or re-triggered when the battery is then reconnected, although, in the latter case, the alarm remains stopped for the period between disconnection and reconnection of the lead-acid battery.
- Even after the alarm has stopped at the end of the predetermined operation time, it will be triggered again if any door or engine hood (for EU specification vehicle) is opened without disarming the theft deterrent alarm system.

Checking whether the alarm has been triggered during parking

If the alarm was triggered due to an unauthorized entry into the vehicle and you then press the engine switch to change the ignition mode to ON or turn the ignition switch to "ON" position, the theft deterrent light will blink rapidly for about 8 seconds and a buzzer will beep 4 times during this period. If this happens, check whether your vehicle has been broken into while you were away from it.

Enabling and disabling the theft deterrent alarm system

The theft deterrent alarm system can be either enabled or disabled.

When enabled (factory setting)

When the system is enabled, it causes the hazard warning lights to flash for about 40 seconds if any of the alarm trigger conditions is met. The system also causes the interior buzzer to beep intermittently for about 10 seconds, which is followed by intermittent sounding of the horn for about 30 seconds.

The theft deterrent light continues to blink during this time.

When disabled

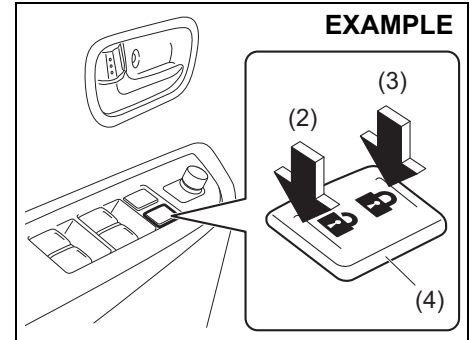
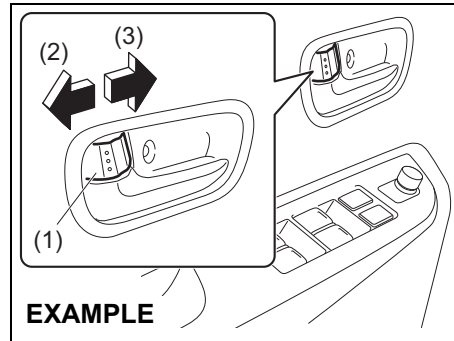
When the system is disabled, it stays disarmed even if you perform any system arming operation.

How to switch the state of the theft deterrent alarm system (Except EU specification vehicle)

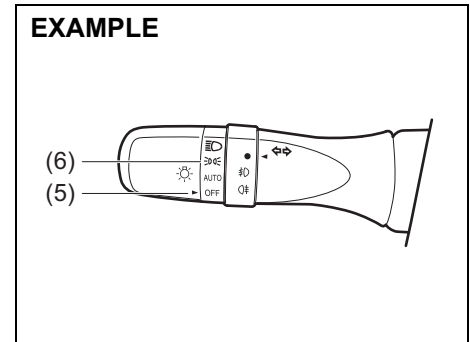
You can switch the theft deterrent alarm system from the enabled state to the disabled state, and vice versa, using the following method.

NOTE:

For EU specification vehicle, the theft deterrent alarm system cannot be switched to the disabled state.



- (2) UNLOCK
- (3) LOCK



75RM158

75RM157

75RM204

BEFORE DRIVING

- 1) Close all the doors and turn the lock knob (1) on the driver's door in the unlocking direction (2) (rearward). Turn the knob on the lighting control lever to "OFF" position (5).

NOTE:

All operations included in the following Step 2) and 3) must be completed within 15 seconds.

- 2) Turn the knob on the lighting control lever to the $\Rightarrow \Leftarrow$ position (6) and then to "OFF" position (5). Repeat this operation 4 times with the control lever finally set to "OFF" position.
- 3) Push the lock end (3) (forward end) of the power door lock switch (4) to lock the doors, and then the unlock end (2) (backward end) to unlock the doors. Repeat these operations 3 times and finally push the lock end of the switch.

Every time you perform the series of the above steps, the state of the theft deterrent alarm system changes from the currently selected one to the other. You can check whether the system is enabled or disabled by the number of interior buzzer beeps at the end of the procedure as follows.

System state	Number of beeps
Disabled (Mode A)	Once
Enabled (Mode D)	4 times

NOTE:

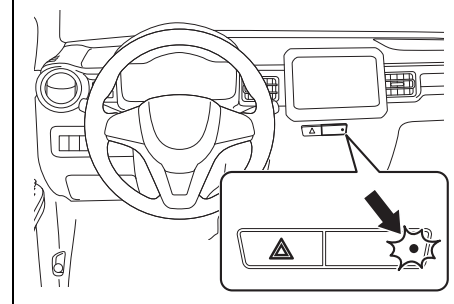
- You cannot disable the theft deterrent alarm system while it is in the armed condition.
- If you fail to complete the operations in Step 2) and 3) within 15 seconds, perform the procedure again from the beginning.
- Check that all doors are closed when performing the above procedure.

NOTE:

You can also switch the theft deterrent alarm system from the enabled state to the disabled state, and vice versa, via the information display setting mode. For details on how to use the information display, refer to "Information display" in this section.

Theft deterrent light (if equipped)

EXAMPLE



75RM314

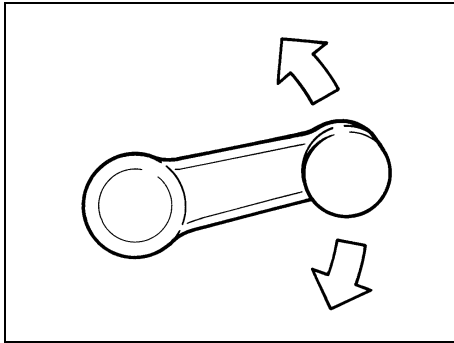
This light will blink with the ignition switch in "LOCK" or "ACC" position, or the ignition mode LOCK (OFF) or ACC. The blinking light is intended to deter theft by leading others to believe that the vehicle is equipped with a security system.

NOTE:

For the theft deterrent alarm system of other than Australia, Israel, Germany and Taiwan models, refer to "Theft deterrent alarm system" in this section.

Windows

Manual window control (if equipped)



60G010A

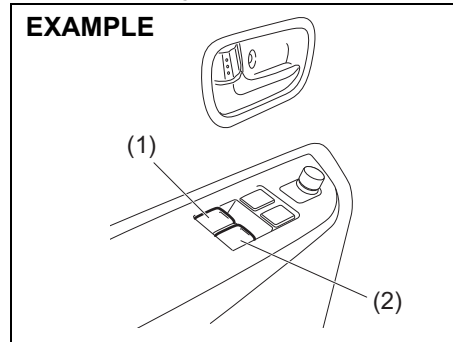
Raise or lower the door windows by turning the handle located on the door panel.

Electric window controls (if equipped)

The electric windows can only be operated when the ignition switch is in "ON" position or the ignition mode is ON.

Driver's side (Type A)

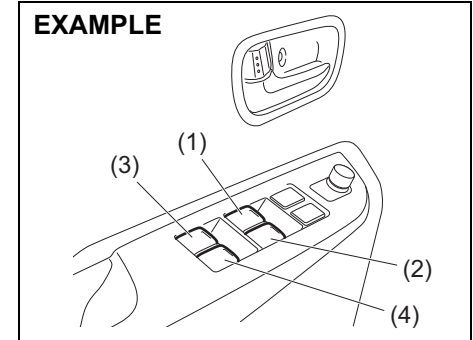
EXAMPLE



75RM159

Driver's side (Type B)

EXAMPLE

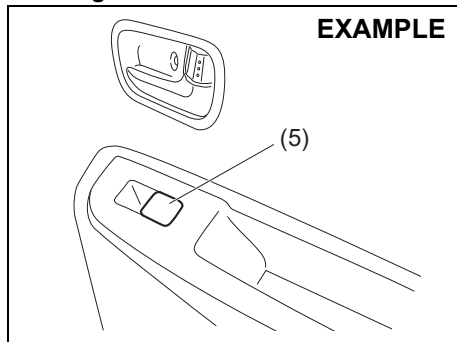


75RM160

The driver's door has a switch (1) to operate the driver's window, and a switch (2) to operate the front passenger's window or there are switches (3), (4), to operate the rear left and right passenger windows, respectively.

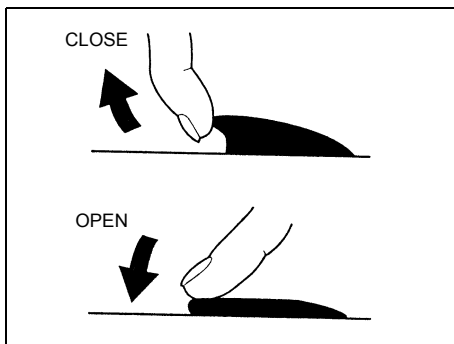
BEFORE DRIVING

Passenger's side



75RM205

The passenger's door has a switch (5) to operate the passenger's window.

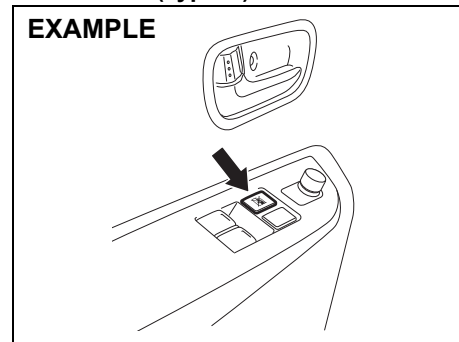


81A009

To open a window, push the top part of the switch. To close the window, lift up the top part of the switch.

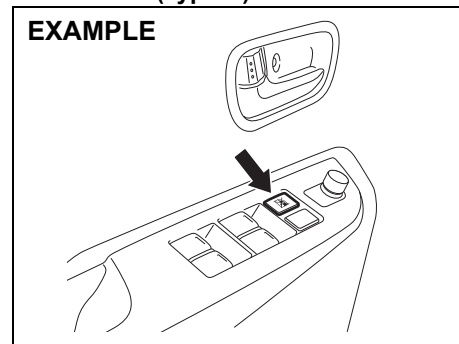
The driver's window has AUTO-DOWN feature and AUTO-UP feature (if equipped) for greater convenience (at toll booths or drive-through restaurants, for example). This means the driver can open or close the window without holding the window switch in DOWN or UP position. Press down or lift up the driver's window switch completely and release it. To stop the window before it reaches the FULL-DOWN or FULL-UP position, pull up or push down the switch briefly.

Lock switch (Type A)



75RM161

Lock switch (Type B)



75RM162

The driver's door also has a lock switch for the passenger's window(s). When you push in the lock switch, the passenger's window(s) cannot be raised or lowered by

operating any of the switches (2), (3), (4) or (5). To restore normal operation, release the lock switch by pushing it again.

WARNING

- You should always lock the passenger's window operation when there are children in the vehicle. Children can be seriously injured if they get part of their body caught by the window during operation.
- To avoid injuring an occupant by window entrapment, check that no part of the occupant's body such as hands or head is in the path of the electric windows when closing them.
- Always remove the ignition key or take the keyless push start system remote controller with you when leaving the vehicle even only for a short time. Also do not leave children alone in a parked vehicle. Unattended children could use the electric window switches and get trapped by the window.

NOTE:

If you drive with one of the rear windows open, you may hear a loud sound caused by air vibration. To reduce the sound, open the driver's or front passenger's window, or narrow the rear window opening.

Pinching prevention function (if equipped)

If the driver's window has the AUTO-UP feature, the driver's window is also equipped with the pinching prevention function. This function detects a foreign object that is caught in the window as it is being closed by AUTO-UP feature, which allows you to close the window without holding the window switch in UP position, and stops the window from closing to prevent damage.

WARNING

To avoid injuring an occupant by window entrapment, check that no part of the occupant's body such as hands or head is in the path of the electric window when closing it. This function may not detect an object due to the size, hardness, or position of the object being caught in the closing window.

CAUTION

- The pinching prevention function does not operate while you are holding the window switch in UP position.
- The pinching prevention function may not detect an object caught in the window just before the window is fully closed.

NOTE:

Even if you cannot close the window by the AUTO-UP feature because there may be something wrong with the pinching prevention function, you can close the window by holding the window switch in UP position. If you drive in extreme off-road condition, the pinching prevention function may operate accidentally because the window reacts to vehicle jolting.

Pinching prevention function initialization

When you disconnect and reconnect the lead-acid battery or replace the fuse, the function will be deactivated. In this condition, the AUTO-DOWN feature will be deactivated, while the AUTO-UP feature may remain activated. The pinching prevention function needs to be initialized.

BEFORE DRIVING

To initialize the pinching prevention function, use the following procedure:

- 1) Turn the ignition switch to "ON" position or press the engine switch to change the ignition mode to ON.
- 2) Open the driver's window fully by holding the window switch in DOWN position.
- 3) Close the driver's window by holding the switch in UP position, and keep holding the switch for 2 seconds after the window is fully closed.
- 4) Check the driver's window to see if the AUTO-DOWN/UP feature works.

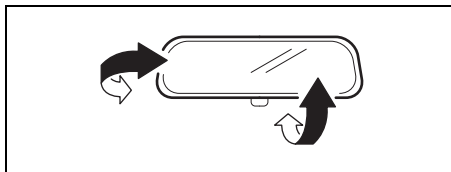
⚠ WARNING

Whenever you disconnect and reconnect the lead-acid battery or replace the fuse, the pinching prevention function needs to be initialized. The pinching prevention function will not be activated until the initialization is completed.

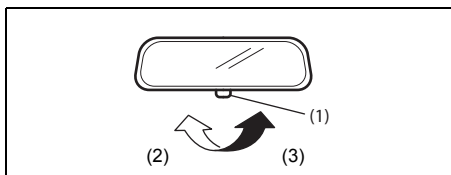
If the AUTO-DOWN/UP feature will not work after initialization, there might be something wrong with the pinching prevention function. Have your vehicle inspected by a SUZUKI dealer.

Mirrors

Inside rearview mirror



68LMT0205



68LMT0206

- (2) Day driving
(3) Night driving

You can adjust the inside rearview mirror by hand to see the rear of your vehicle in the mirror. To adjust the mirror, set the selector tab (1) to the day position, and then move the mirror up, down or sideways by hand to obtain the best view.

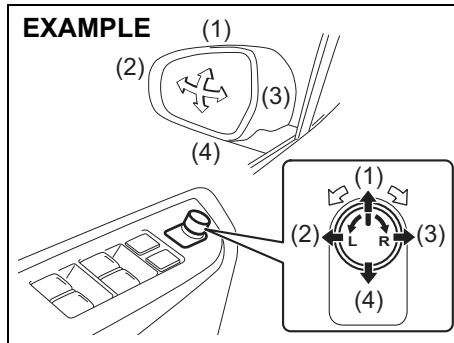
When driving at night, you can move the selector tab to the night position to reduce glare from the headlights of vehicles behind you.

⚠ WARNING

- Always adjust the mirror with the selector set to the day position.
- Only use the night position if it is necessary to reduce glare from the headlights of vehicles behind you. Be aware that in this position you may not be able to see some objects that could be seen in the day position.

Outside rearview mirrors

You can adjust the outside rearview mirrors by hand so as to see the sides of your vehicle in the mirrors.



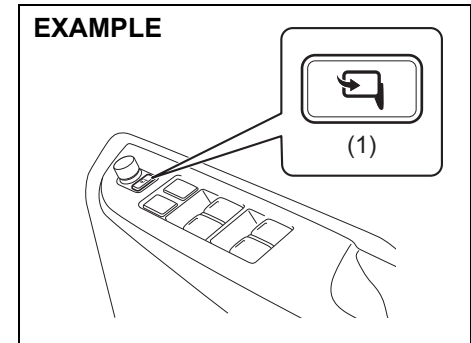
The switch to control the electric mirrors is located on the driver's door panel. You can adjust the mirrors when the ignition switch is in "ACC" or "ON" position, or the ignition mode is ACC or ON. To adjust the mirrors:

- 1) Move the selector switch to the left or right to select the mirror you wish to adjust.
- 2) Press the outer part of the switch that corresponds to the direction in which you wish to move the mirror.
- 3) Return the selector switch to the center position to help prevent unintended adjustment.

NOTE:

- *Be careful when judging the size or distance of a vehicle or other object seen in the side convex mirror. Be aware that objects look smaller and appear farther away than when seen in a flat mirror.*
- *If your vehicle is equipped with the heated outside rearview mirrors, refer to "Heated rear window switch / heated outside rearview mirror switch" in this section.*

Outside rearview mirror folding switch (if equipped)



You can fold the mirrors when you park the vehicle in a narrow space. When the ignition switch is in "ACC" or "ON" position, or the ignition mode is ACC or ON, push the folding switch (1) to fold and unfold the mirrors. Check that the mirrors are completely unfolded before you start driving.

⚠ CAUTION

Moving mirrors can pinch and injure a hand. Do not allow anyone's hand to get near the mirrors when folding and unfolding the mirrors.

BEFORE DRIVING

Remote folding mirrors (if equipped)

When the outside rearview mirror folding switch is in the unfolded position, the outside rearview mirrors are folded or unfolded in conjunction with the door locking or engine switch operation.

- When you lock the doors (including the tailgate) by using the remote controller or pushing the request switch, the mirrors will be folded automatically.
- To unfold the mirrors, push the engine switch to change the ignition mode to ACC or ON.
- The factory setting is that the function is enabled. You can switch the function from the enabled state to the disabled state, and vice versa. To switch the function for your preference, refer to “How to switch the remote folding mirror function”.

NOTICE

In a cold winter such as the mirrors are frozen, disable the function. If the mirrors are folded and unfolded repeatedly without thawing, the mirrors may be damaged.

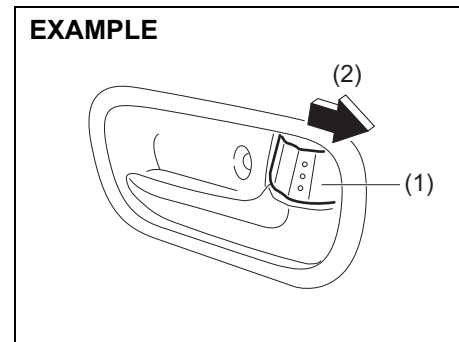
NOTE:

- *If the doors are locked by using the key, lock knob on a door or power door locking switch, the mirrors will not be folded automatically.*
- *If the outside rearview mirror folding switch is in the folded position, the mirrors will not be unfolded automatically, even when the engine switch is pushed to change the ignition mode to ACC or ON.*
- *If any of the doors is not opened within about 30 seconds after the doors are unlocked by using the keyless push start system remote controller or request switch, the doors will be locked again and the mirrors will be folded automatically.*

How to switch the remote folding mirror function

When the ignition mode is LOCK (OFF), you can switch the function from the enabled state to the disabled state, and vice versa, using the following method.

- 1) Sit in the driver's seat and make sure that all doors are closed.
 - If any door is open, the open door warning light comes on.

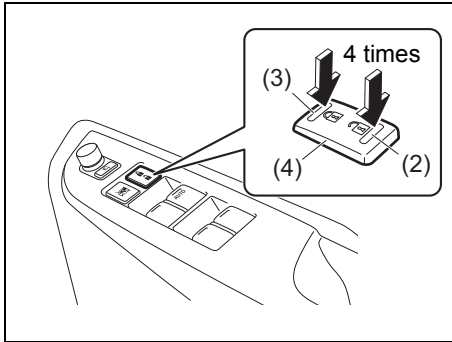


75RM263

- 2) Turn the lock knob (1) on the driver's door rearward (2).

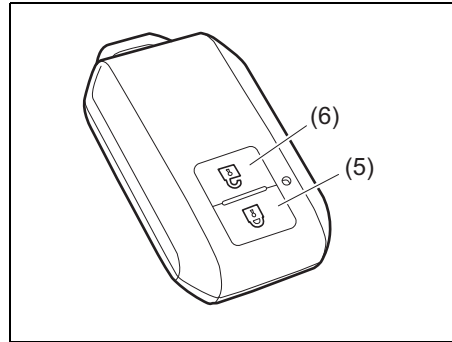
NOTE:

All operations included in the following steps 3) and 4) must be completed within 15 seconds.



75RM264

3) Push the lock end (3) (forward end) of the power door lock switch (4) to lock the doors, and then the unlock end (2) (backward end) to unlock the doors. Repeat these operations 4 times and finally push the lock end of the switch.



73SB005

- (5) LOCK button
(6) UNLOCK button
- 4) Push any of the buttons on the keyless push start system remote controller 3 times.
- Push either LOCK button or UNLOCK button described above you like.
 - During operation, the doors are not locked or unlocked.

Every time you perform the series of the above steps, the state of the remote folding mirror function changes from the currently selected one to the other. You can check whether the system is enabled or disabled by the number of interior buzzer beeps at the end of the procedure as follows.

System state	Number of beeps
Disabled	Once
	↕
Enabled	Twice

- If you cannot complete the operations in step 3) and 4) within 15 seconds correctly, the state of the remote folding mirror function will not change and the interior buzzer does not beep. Perform the procedure again from the beginning.

BEFORE DRIVING

Front seats

Seat adjustment

⚠ WARNING

Never attempt to adjust the driver's seat or seatback while driving. The seat or seatback could move unexpectedly, causing loss of control. Check that the driver's seat and seatback are properly adjusted before you start driving.

⚠ WARNING

To avoid excessive seat belt slack, which reduces the effectiveness of the seat belts as a safety device, check that the seats are adjusted before the seat belts are fastened.

⚠ WARNING

All seatbacks should always be in an upright position when driving, or seat belt effectiveness may be reduced. Seat belts are designed to offer maximum protection when seatbacks are in the upright position.

⚠ WARNING

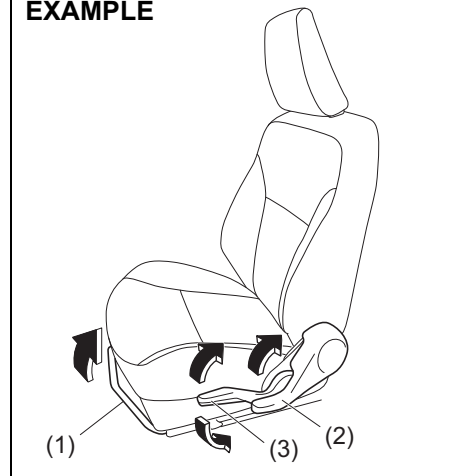
Do not place any object under the front passenger's seat. If an object becomes caught under the front passenger's seat, the following may occur.

- The seat will not be latched.
- The lithium-ion battery, located under the front left side seat in a model equipped with ENG A-STOP system, will be damaged.

⚠ WARNING

Do not leave cigarette lighters or spray cans on the floor. If a cigarette lighter or spray can is on the floor, it may light accidentally when luggage is loaded or the seat is adjusted, causing a fire.

EXAMPLE



75RM302

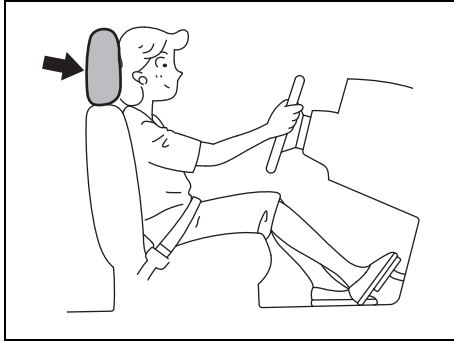
Seat position adjustment lever (1)
Pull the lever up and slide the seat.

Seatback angle adjustment lever (2)
Pull the lever up and move the seatback.

**Seat height adjustment lever (3)
(if equipped)**
Pull the lever up to raise the seat. Push the lever down to lower the seat.

After adjustment, move the seat and seatback forward and backward to check that it is securely latched.

Head restraints



80J001

Head restraints are designed to help reduce the risk of neck injuries in the case of an accident. Adjust the head restraint to the position which places the center of the head restraint closest to the top of your ears. If this is not possible for very tall passengers, adjust the head restraint as high as possible.

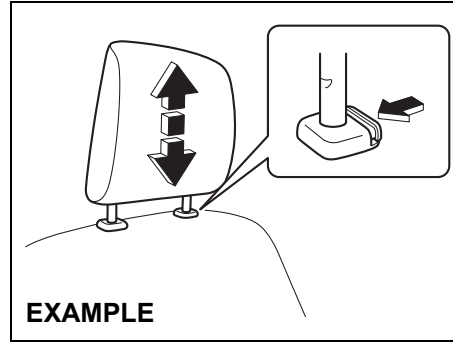
⚠ WARNING

- Never drive the vehicle with the head restraints removed.
- Do not attempt to adjust the head restraint while driving.

NOTE:

It may be necessary to recline the seat-back to provide enough overhead clearance to remove the head restraint.

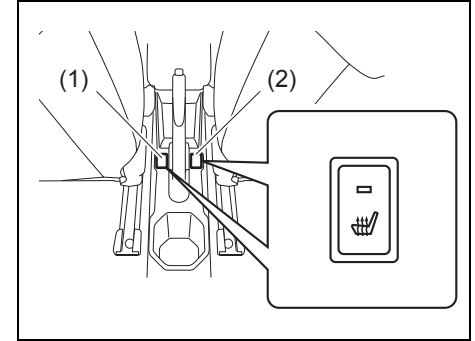
Front



75RM004

To raise the front head restraint, pull upward the head restraint until it clicks. To lower the head restraint, push down the head restraint while holding in the lock lever. If a head restraint must be removed (for cleaning, replacement, etc.), push in the lock lever and pull the head restraint all the way out.

Front seat heater (if equipped)

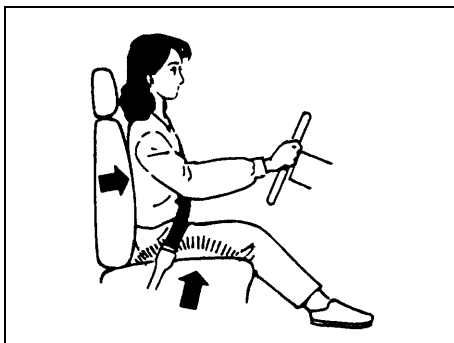


75RM005

- (1) Left seat heater switch (if equipped)
- (2) Right seat heater switch (if equipped)

When the ignition switch is in “ON” position or the ignition mode is ON, push one or both of the seat heater switch(es) to warm the corresponding seat(s).

- When a seat heater switch is pushed, the heater inside the corresponding seat operates.
- To turn off the heater, push in the switch again. Check that the indicator light goes off.



86G064

⚠ WARNING

Improperly using the seat heater can be hazardous. An occupant can suffer burns even if the heating temperature is fairly low, if the occupant wears thin pants, a thin skirt or shorts and leaves the heater on for long periods.

Avoid using the seat heater for these occupants:

- People who have reduced feeling in their legs, including the elderly or those with certain disabilities.
- Small children or anyone with sensitive skin.
- People who are asleep or under the influence of alcohol or other drugs which make them tired.

NOTICE

To avoid damaging the heater element:

- Do not subject the front seats to heavy impacts, such as children jumping on them.
- Do not cover the seat with any insulating materials such as blankets or cushions.

Rear seats

Seat adjustment (if equipped)

⚠ WARNING

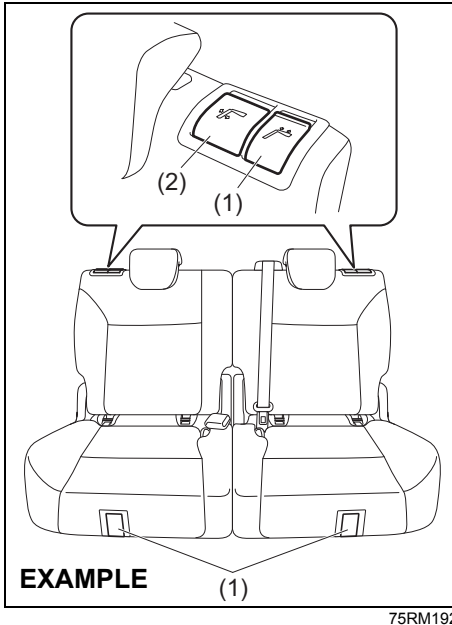
To avoid excessive seat belt slack, which reduces the effectiveness of the seat belts as a safety device, check that the seats are adjusted before the seat belts are fastened.

⚠ WARNING

All seatbacks should always be in an upright position when driving, or seat belt effectiveness may be reduced. Seat belts are designed to offer maximum protection when seatbacks are in the upright position.

⚠ WARNING

Do not place any object under the rear seat equipped with the seat position adjustment lever. If an object becomes caught under the rear seat, the seat will not be latched.



75RM192

Seat position adjustment lever (1) (if equipped)

Pull the lever up and slide the seat.

Seatback angle adjustment lever (2) (if equipped)

Pull the lever up and move the seatback.

After adjustment, move the seat and seatback forward and backward to check that it is securely latched.

Head restraints (if equipped)

Head restraints are designed to help reduce the risk of neck injuries in the case of an accident.

To use the head restraint, lift it up from the storage position and lock it in place.

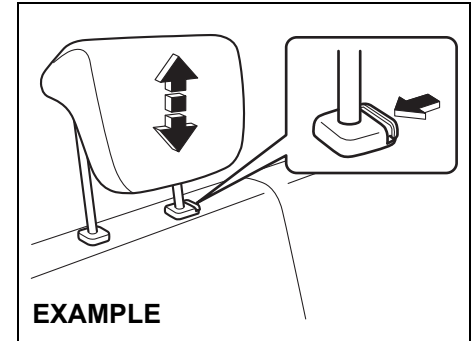
⚠ WARNING

- Never drive the vehicle with the head restraints removed.
- Do not attempt to adjust the head restraint while driving.

NOTE:

It may be necessary to fold forward the seatback to provide enough overhead clearance to remove the head restraint.

Rear



75RM006

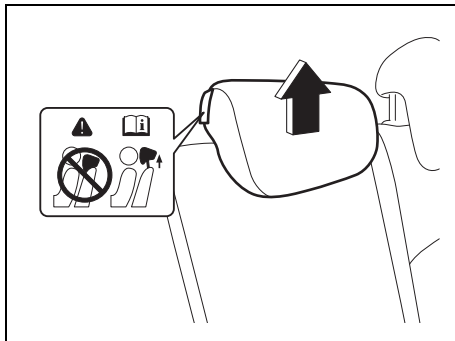
When using the rear head restraint, pull it up and lock it securely before driving.

To raise the rear head restraint, pull upward the head restraint until it clicks. To lower the head restraint, push down the head restraint while holding in the lock lever. If a head restraint must be removed (for cleaning, replacement, etc.), push in the lock lever and pull the head restraint all the way out.

When installing a child restraint system, adjust the height of the head restraint or remove it for fitting the child restraint, as necessary.

BEFORE DRIVING

Rear center head restraint



52RM251

When using the rear center head restraint, pull it up and lock it securely before driving.

⚠ WARNING

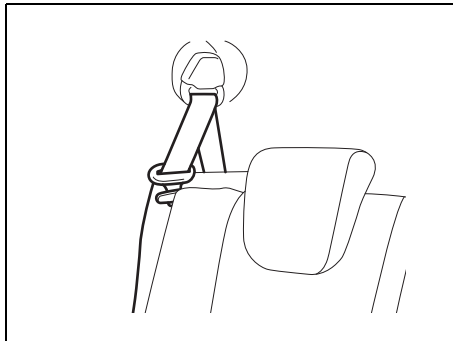
Do not allow anyone to sit in the rear center seat with the rear center head restraint removed or in stowed position.

Folding rear seats

The rear seats of your vehicle can be folded forward to provide additional cargo space.

To fold the rear seats forward:

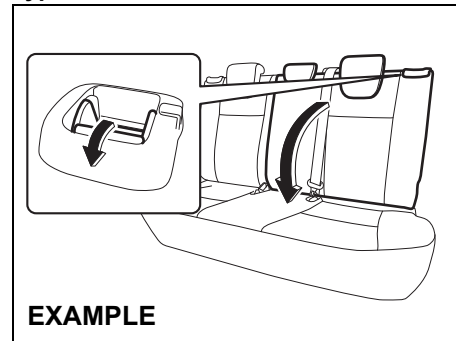
- 1) Lower the head restraint fully (if equipped).



75RM007

- 2) Hook the webbing of the outboard lap-shoulder belts and the latch plates in the belt hangers.

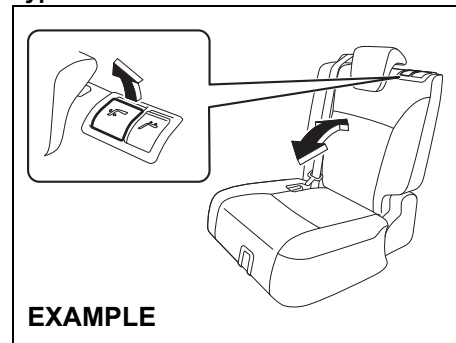
Type A



EXAMPLE

75RM303

Type B



EXAMPLE

75RM103

- 3) Pull the release lever on the top of seat, and fold the seatback forward.

NOTICE

After folding the rear seatback forward, do not allow any foreign material to enter the lock opening. This may cause damage to the inside of the lock and prevent the seatback from being locked securely.

⚠ WARNING

If you need to carry cargo in the passenger compartment with the rear seatback folded forward, secure the cargo or it may be thrown about, causing injury. Never pile cargo higher than the seatbacks.

To return the seat to the normal position, follow the procedure below.

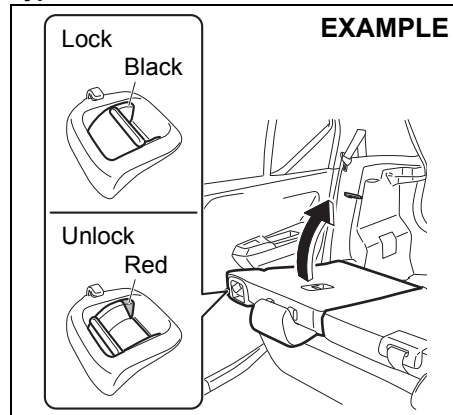
⚠ CAUTION

When returning the rear seatback to the normal position, be careful that your finger is not caught between the lock and the striker.

NOTICE

- When returning the rear seatback to the normal position, check that there is nothing around the striker. Any foreign materials prevent the seatback from being locked securely.
- When you move a seatback, make sure the belt webbing is hooked in the seat belt hangers so the seat belts are not caught by the seatback, seat hinge, or seat latch. This helps prevent damage to the belt system.
- Make sure the belt webbing is not twisted.

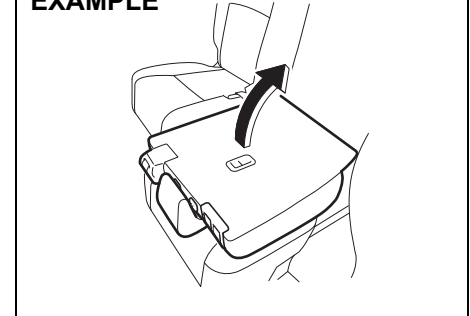
Type A



62R0375

Type B

EXAMPLE



75RM104

Raise the seatback until it locks into place. After returning the seat, move the seatback forward and backward to check that it is securely latched.

⚠ CAUTION

Do not put your hand into the rear seatback lock opening, or your finger may get caught and be injured.

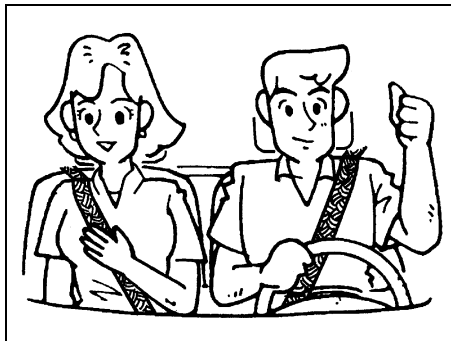
⚠ CAUTION

After securing the rear seatback, check that it is locked securely. For type A seat, if it is not, red will appear in the release lever.

NOTICE

- When returning the rear seatback to the normal position, do not allow any foreign material to enter the lock opening. This may prevent the seatback from being locked securely.
- When returning the rear seatback to the normal position, handle it carefully by hand to avoid any damage to the lock itself. Do not push it by using some material or by applying excessive force.
- As the lock is designed exclusively for securing the rear seatback, do not use it for any other purpose. Incorrect use of it may cause damage to the inside of the lock and prevent the seatback from being locked securely.

Seat belts and child restraint systems



65D231S

⚠ WARNING

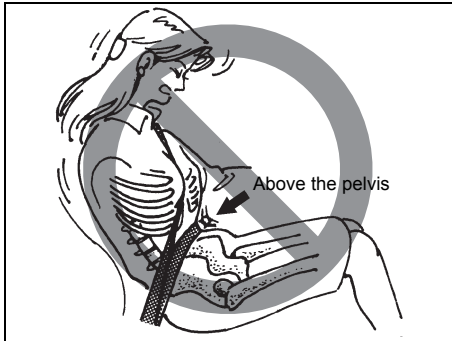
Wear your seat belts at all times.

⚠ WARNING

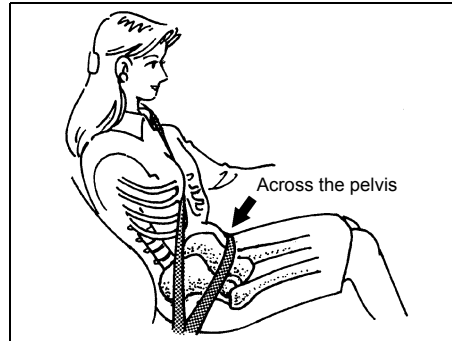
An airbag supplements or adds to the frontal collision protection offered by seat belts. The driver and all passengers must be properly restrained by wearing seat belts at all times, whether or not an airbag is mounted at their seating position, to minimize the risk of severe injury or death in the event of a collision.

⚠ WARNING

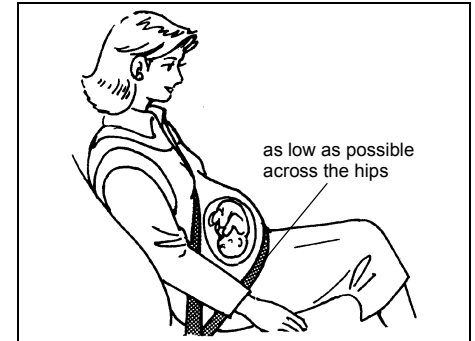
Do not modify, remove, disassemble seat belts. Doing so may prevent them from functioning properly and cause the risk of severe injury or death in the event of a collision.



65D606



65D201



65D199

⚠ WARNING

- Never allow persons to ride in the cargo area of a vehicle. In the event of an accident, there is a much greater risk of injury for persons who are not riding in a seat with their seat belt securely fastened.
- Seat belts should always be adjusted as follows:
 - the lap portion of the belt should be worn low across the pelvis, not across the waist.
 - the shoulder straps should be worn on the outside shoulder only, and never under the arm.
 - the shoulder straps should be away from your face and neck, but not falling off your shoulder.

(Continued)

⚠ WARNING

(Continued)

- Seat belts should never be worn with the straps twisted and should be adjusted as tightly as is comfortable to provide the protection for which they have been designed. A slack belt will provide less protection than a snug belt.
- Check that seat belt latch plate (tongue) is inserted into the proper buckle especially in the rear seats. It is not possible to insert into the wrong buckles in the rear seats.

(Continued)

⚠ WARNING

(Continued)

- Pregnant women should use seat belts, although specific recommendations about driving should be made by the woman's medical advisor. Remember that the lap portion of the belt should be worn as low as possible across the hips, as shown in the illustration.
- Do not fasten your seat belt over hard or breakable objects in your pockets or on your clothing. If an accident occurs, objects such as glasses, pens, etc. under the seat belt can cause injury.

(Continued)



65D609

⚠ WARNING

(Continued)

- Do not hold a child on a passenger's lap. Even if the passenger holds the child tightly, he/she would not be supported enough in the event of an accident and it could result in a serious injury of the child.
- Never use the same seat belt for more than one occupant and never attach a seat belt over an infant or child being held on an occupant's lap. Such seat belt use could cause serious injury in the event of an accident.

(Continued)

⚠ WARNING

(Continued)

- Periodically inspect seat belt assemblies for excessive wear and damage. Seat belts should be replaced if webbing becomes frayed, contaminated or damaged in any way. It is essential to replace the entire seat belt assembly after it has been worn in a severe impact, even if damage to the assembly is not obvious.
- Children aged 12 and under should ride properly restrained in the rear seat.
- Infants and small children should never be transported unless they are properly restrained. Restraint systems for infants and small children can be purchased locally and should be used. Check that the system you purchase meets applicable safety standards. Read and follow all the directions provided by the manufacturer.
- For child, if the seat belt irritates the neck or face, use a child restraint system appropriately for the child. The seat belts of your vehicle are principally designed for persons of adult size.

(Continued)

⚠ WARNING

(Continued)

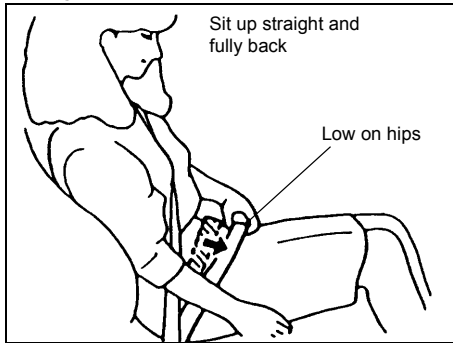
- Avoid contamination of seat belt webbing by polishes, oils, chemicals, and particularly battery acid. Cleaning may safely be carried out using mild soap and water.
- Do not insert any items such as coins and clips into the seat belt buckles, and be careful not to spill liquids into these parts. If foreign materials get into a seat belt buckle, the seat belt may not work properly.
- All seatbacks should always be in an upright position when driving, or seat belt effectiveness may be reduced. Seat belts are designed to offer maximum protection when seatbacks are in the upright position.

Lap-shoulder belt

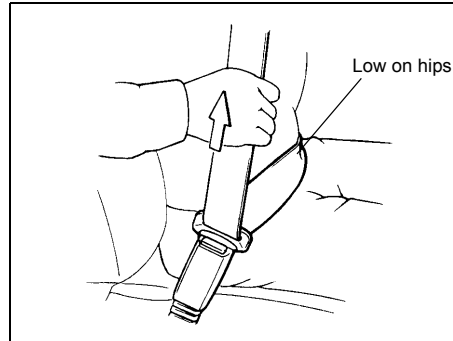
Emergency locking retractor (ELR)

The seat belt has an emergency locking retractor (ELR), which is designed to lock the seat belt only during a sudden stop or impact. It also may lock if you pull the belt across your body very quickly. If this happens, let the belt go back to unlock it, and then pull the belt across your body more slowly.

Safety reminder

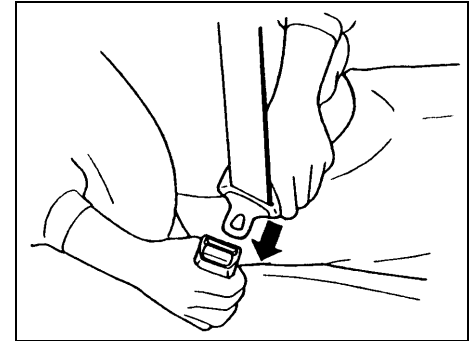


60A038



60A040

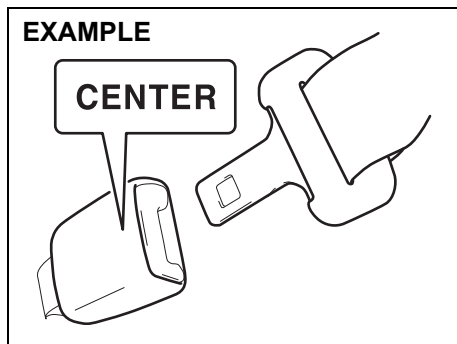
To reduce the risk of sliding under the belt during a collision, position the lap portion of the belt across your lap as low on your hips as possible and adjust it to a snug fit by pulling the shoulder portion of the belt upward through the latch plate. The length of the diagonal shoulder strap adjusts itself to allow freedom of movement.



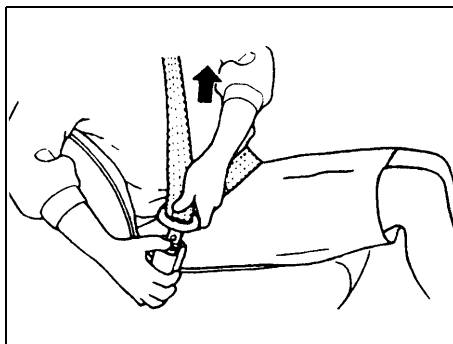
60A036

To fasten the seat belt, sit up straight and far back into the seat, pull the latch plate attached to the seat belt across your body and press it straight into the buckle until you hear a click.

BEFORE DRIVING



NOTE:
The word "CENTER" is marked on the buckle for the rear center belt (if equipped). The buckles are designed so a latch plate cannot be inserted into the wrong buckle.

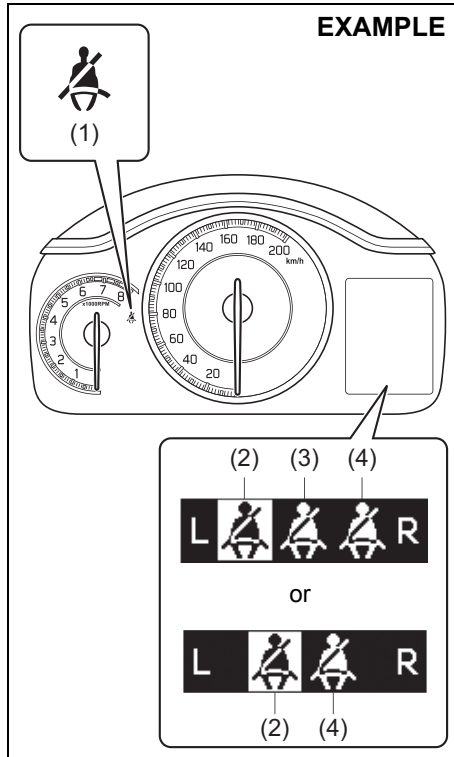


To unfasten the seat belt, push the red "PRESS" button on the buckle and retract the belt slowly while holding the belt and/or the latch plate.

NOTE:
For Australia:
For additional information, refer to the "SUPPLEMENT" section at the end of this book.

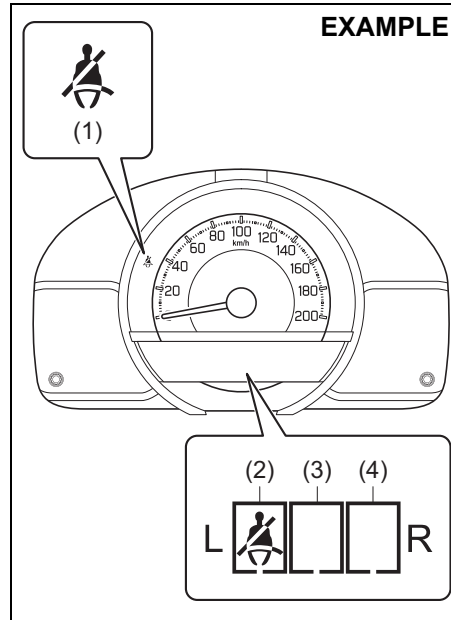
Seat belt reminder

With tachometer



73SB02040

Without tachometer



75RM247

- (1) Driver's seat belt reminder light / front passenger's seat belt reminder light (if equipped)
- (2) Rear passenger's seat belt reminder light (rear left)^{*1} (if equipped)
- (3) Rear passenger's seat belt reminder light (rear center)^{*2} (if equipped)
- (4) Rear passenger's seat belt reminder light (rear right)^{*2} (if equipped)

^{*1} This symbol represents that the seat belt is unfastened.

^{*2} This symbol represents that the seat belt is fastened.

BEFORE DRIVING

When the driver and/or passenger(s) do (does) not buckle his or her seat belt, the seat belt reminder light will come on or blink and a buzzer will sound as a reminder to the driver and/or passenger(s) to buckle his or her seat belt. For more details, refer to the explanation below.

WARNING

It is absolutely essential that the driver and passengers fasten their seat belts at all times. Persons who are not fastening seat belts have a much greater risk of injury if an accident occurs. Make a regular habit of buckling your seat belt before putting the key in the ignition or pressing the engine switch.

NOTE:

The driver's seat belt reminder light / front passenger's seat belt reminder light is for both the driver and front passenger.

Driver's seat belt reminder

If the driver's seat belt remains unbuckled when the ignition switch is turned to "ON" position or the engine switch is pressed to change the ignition mode to ON, the reminder works as follows:

- 1) The seat belt reminder light will come on.
- 2) After the vehicle's speed has reached about 15 km/h (10 mph), the seat belt reminder light will blink and a buzzer will sound for about 95 seconds.
- 3) The reminder light will remain on until the driver's seat belt is buckled.

If the driver has buckled his or her seat belt and later unbuckles the seat belt, the reminder system will be activated from Step 1) or 2) according to the vehicle's speed. When the vehicle's speed is less than 15 km/h (10 mph), the reminder will start from Step 1). When the vehicle's speed is more than 15 km/h (10 mph), the reminder will start from Step 2).

The reminder will be automatically canceled when the driver's seat belt is buckled or the ignition switch is turned off, or the engine switch is pressed to change the ignition mode to LOCK (OFF).

Front passenger's seat belt reminder (if equipped)

If there is a person sitting in the front passenger seat and the front passenger seat belt is unbuckled when the ignition switch is turned to "ON" position or the ignition mode to ON, the front passenger's seat belt reminder will activate. The front passenger's seat belt reminder works in the same manner as the driver's seat belt reminder.

NOTICE

The sensor of the front passenger's seat belt reminder is located in the seat cushion. Therefore, if you spill liquid such as liquid aromatics, soft drinks or juice on the front passenger's seat cushion, immediately wipe it dry with a soft cloth. Otherwise, the sensor of the front passenger's seat belt reminder can be damaged.

NOTE:

- *If you put an object on the passenger's seat, the weight of the object will be sensed by the sensor and the front passenger's seat belt reminder light (if equipped) will come on and then the interior buzzer may beep.*
- *If a child or a small sized person sit on the front passenger's seat or the cushion is put on the front passenger's seat, the weight will not be sensed by the sensor and the interior buzzer may not beep.*

Rear passenger's seat belt reminder (if equipped)

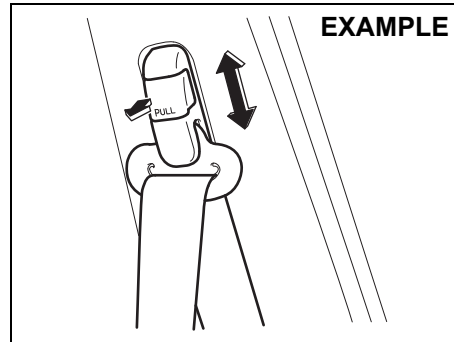
If the ignition switch is turned to "ON" position or the engine switch is pressed to change the ignition mode to ON, the seat belt reminder light of all rear passengers lights for about 65 seconds irrespective of the presence or absence of passenger and turns off. Also, when opening the rear seat door the rear passenger's seat belt reminder lights will also be lit.

In the following situations, rear passenger's seat belt reminder light blinks for about 65 seconds, and the buzzer sounds for about 35 seconds at the same time. After 30 seconds have elapsed from the stop of the buzzer, the corresponding indicator will switch from blinking to lighting.

- When the rear seat belt is removed while driving at a vehicle speed of 15 km/h (9 mph) or more.
- When the vehicle speed reaches 15 km/h (9 mph) or more after the rear seat belt has been removed with no rear door open.

The reminder will be automatically canceled when the rear seat belt is buckled or the ignition switch is turned off, or the engine switch is pressed to change the ignition mode to LOCK (OFF).

Shoulder anchor height adjuster (if equipped)



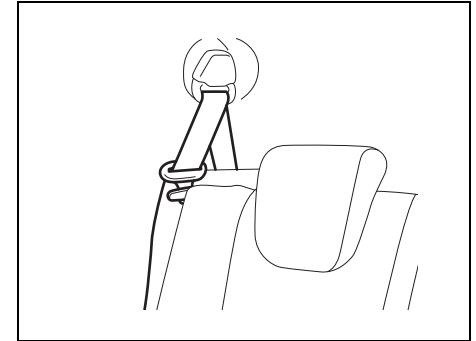
64J198

Adjust the shoulder anchor height so that the shoulder belt rides on the center of the outboard shoulder. To move upward, slide the anchor up. To move downward, slide the anchor down while pulling the lock knob out. After adjustment, check that the anchor is securely locked.

⚠ WARNING

Check that the shoulder belt is positioned on the center of the outside shoulder. The belt should be away from your face and neck, but not falling off your shoulder. Misadjustment of the belt could reduce the effectiveness of the seat belt in a collision.

Rear outside seat belt guide



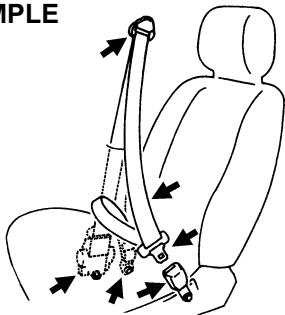
75RM007

When you move a seatback, make sure the belt webbing and the latch plate are hooked in the seat belt hangers.

BEFORE DRIVING

Seat belt inspection

EXAMPLE



65D209S

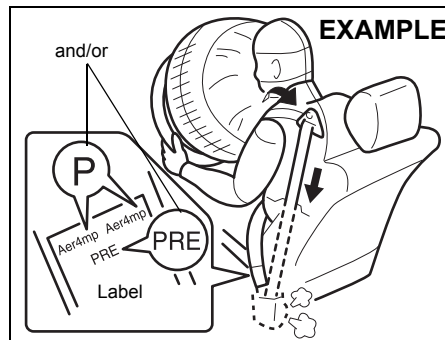
Periodically check if the seat belts work properly and are not damaged. Check the webbing, buckles, latch plates, retractors, anchorages and guide loops. Replace any seat belts which do not work properly or are damaged.

⚠ WARNING

Inspect all seat belt assemblies after any collision. Any seat belt assembly which was in use during a collision (other than a very minor one) should be replaced, even if damage to the assembly is not obvious. Any seat belt assembly even which was not in use during a collision must be replaced if the seat belt pretensioners activated. The pretensioners and the load limiter only functions once. In case they did not activate, consult with Suzuki dealer.

Seat belt pretensioner system

EXAMPLE



63J269

⚠ WARNING

This section describes your SUZUKI vehicle's seat belt pretensioner system. Read and follow all these instructions carefully to minimize your risk of severe injury or death.

To determine if your vehicle is equipped with a seat belt pretensioner system at the front or rear seating positions, check the label on the seat belt at the bottom part. If the letters “p” and/or “PRE” appear as illustrated, your vehicle is equipped with the seat belt pretensioner system. You can use the pretensioner seat belts in the same manner as ordinary seat belts. Read this section and “Supplemental restraint system (airbags)” section to learn more about the pretensioner system.

The seat belt pretensioner system works with the supplemental restraint system (airbags). The crash sensors and the electronic controller of the airbag system also control the seat belt pretensioners. The pretensioners are triggered only when there is a frontal or side collision severe enough to trigger the airbags and the seat belts are fastened. For precautions and general information including servicing the pretensioner system, refer to “Supplemental restraint system (airbags)” section in addition to this “Seat belt pretensioner system” section, and follow all those precautions.

The pretensioner is located in each front seat belt retractor and both side of the rear seat belt retractor (if equipped). The pretensioner tightens the seat belt so the belt fits the occupant’s body more snugly in the event of a frontal or side collision. The retractors will remain locked after the pretensioners are activated. Upon activation,

some noise will occur and some smoke may be released. These conditions are not harmful and do not indicate a fire in the vehicle.

The driver and all passengers must be properly restrained by fastening seat belts at all times, whether or not a pretensioner is equipped at their seating position, to minimize the risk of severe injury or death in the event of a collision.

Sit fully back in the seat; sit up straight; do not lean forward or sideways. Adjust the belt so the lap portion of the belt is worn low across the pelvis, not across the waist. Please refer to “Seat adjustment” section and the instructions and precautions about the seat belts in this “Seat belts and child restraint systems” section for details on proper seat and seat belt adjustments.

Please note that the pretensioners along with the airbags will activate in severe frontal or side collisions. They are not designed to activate in rear impacts, roll-overs, or minor frontal side collisions. The pretensioners can be activated only once. If the pretensioners are activated (that is, if the airbags are activated), have the pretensioner system serviced by a SUZUKI dealer as soon as possible.

If AIRBAG light on the instrument cluster does not blink or come on briefly when the ignition switch is turned to “ON” position or

the engine switch is pressed to change the ignition mode to ON, stays on for more than 10 seconds, or comes on while driving, the pretensioner system or the airbag system may not work properly. Have both systems inspected by a SUZUKI dealer as soon as possible.

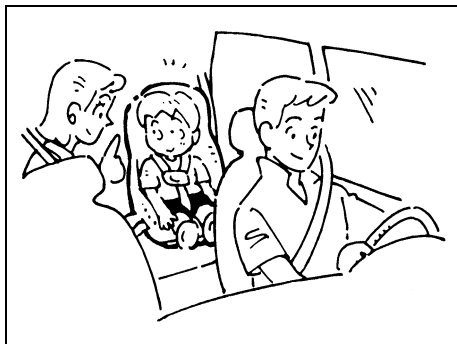
Service on or around the pretensioner system components or wiring must be performed only by a SUZUKI dealer who is specially trained. Improper service could result in unintended activation of pretensioners or could render the pretensioner inoperative. Either of these two conditions may result in personal injury.

To prevent damage or unintended activation of the pretensioners, check that the lead-acid battery is disconnected and the ignition switch has been in “LOCK” position or the ignition mode has been LOCK (OFF) for at least 90 seconds before performing any electrical service work on your SUZUKI vehicle.

Do not touch pretensioner system components or wiring. The wires are wrapped with yellow tape or yellow tubing, and the couplers are yellow. When scrapping your SUZUKI vehicle, ask your SUZUKI dealer, body repair shop, or scrap yard for assistance.

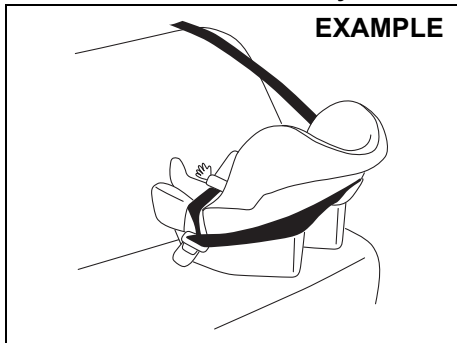
BEFORE DRIVING

Child restraint systems



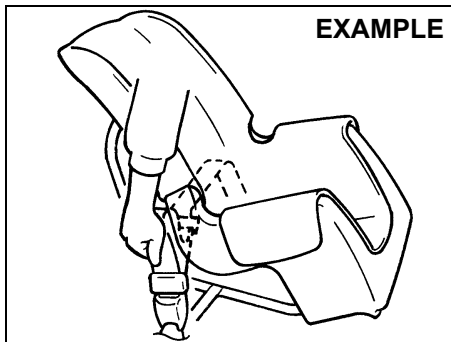
60G332S

Infant restraint - rear seat only



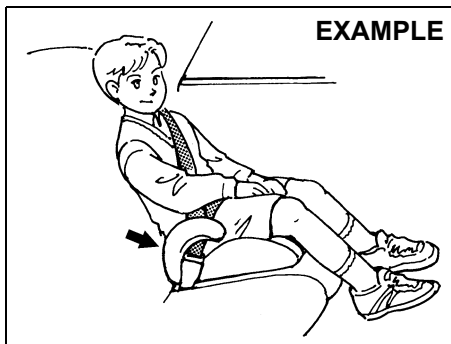
80JC007

Child restraint



80JC016

Booster seat



80JC008

SUZUKI highly recommends that you use a child restraint system to restrain infants and small children. Many different types of child restraint systems are available; check that the restraint system you select meets applicable safety standards.

All child restraint systems are designed to be secured in vehicle seats either by seat belts (lap belts or the lap portion of lap-shoulder belts) or by special rigid lower anchor bars built into the seat. Whenever possible, SUZUKI recommends that child restraint systems be installed on the rear seat. According to accident statistics, children are safer when properly restrained in rear seating positions than in front seating positions.

(For Countries applied for UN Regulation No.16)

When purchasing a child restraint and install it to your SUZUKI vehicle, refer to the information about suitability for child restraints shown in "Child restraint system for countries applied for UN Regulation No.16" in this section.

NOTE:

Observe any statutory regulation about child restraints.

⚠ WARNING

- (Vehicle without the front passenger airbag deactivation system)
Do not install a rear-facing child restraint in the front passenger's seat. If the passenger's front airbag inflates, a child in a rear-facing child restraint could be killed or severely injured. The back of a rear-facing child restraint would be too close to the inflating airbag.
- (Vehicle with the front passenger airbag deactivation system)
Whenever a child restraint system has to be used in the front passenger's seat, regardless of front facing or rear facing, the front passenger's airbag system must be deactivated. Otherwise deployment of the front passenger's airbag could result in the death or serious injury of the child.
- If you install a child restraint system in the rear seat, slide the front seat far enough forward so that the child's feet do not touch the front seatback. This will help avoid injury to the child in the event of an accident.

(Continued)

⚠ WARNING

(Continued)

- Children could be endangered in a collision if their child restraint systems are not properly secured in the vehicle. When installing a child restraint system, follow the instructions below. Secure the child in the restraint system according to the manufacturer's instructions.

Child restraint system for countries applied for UN Regulation No.16-06

CAUTION

Adjust the height of the rear head restraint or remove it for fitting the child restraint, as necessary. However, if a booster cushion not equipped with the head restraint is fitted, the rear seat head restraint should not be removed. If the rear head restraint is removed for fitting the child restraint, you need to install it again after removing the child restraint.

If the child restraint is fitted improperly, a child sitting in it could be injured in a collision. (Refer to “Installation with lap-shoulder seat belts” section, “Installation with ISO-FIX type anchorages” section and “Installation of child restraint with top tether” section in this section for details.)



73SB02060

The vehicle complies with UN Regulation No. 16-06, if one of the above image is shown on the information display in the instrument cluster (with tachometer) for several seconds when the ignition switch is turned to “ON” position or the engine switch is pressed to change the ignition mode to ON.

Child restraint

The suitability of each passenger's seat position for carriage of children and fitting of child restraint system is shown in the tables below. Whenever you carry children under 12 years of age or smaller than 150 cm, properly use the child restraints which conform to UN Regulation No. 44 or No. 129, the standard for child restraints, referring to the tables.

Installation suitability of child restraint systems

Mass Group		Seating position (or other site)				
		Front Passenger	Rear Outboard	Rear Center ²⁾	Intermediate Outboard	Intermediate Center
group 0	up to 10 kg	X	U	U	N.A.	N.A.
group 0+	up to 13 kg	X	U ¹⁾	U ¹⁾	N.A.	N.A.
group I	9 to 18 kg	UF	U	U	N.A.	N.A.
group II	15 to 25 kg	UF	UF	UF	N.A.	N.A.
group III	22 to 36 kg	UF	UF	UF	N.A.	N.A.

Key of letters to be inserted in the above table:

U =Suitable for 'universal' category restraints approved for use in this mass group

UF =Suitable for forward-facing 'universal' category restraints approved for use in this mass group

L =Suitable for particular child restraints given on attached list.

These restraints may be of the 'specific vehicle', 'restricted' or 'semi-universal' categories.

B =Built-in restraint approved for this mass group

X =Seat position not suitable for children in this mass group

N.A.=Not applicable

NOTE:

1) SUZUKI recommends "Britax Römer Baby Safe i-Size" child seat.

This child restraint system is SUZUKI Genuine Accessory which complies with the UN R44 or R129, refer to the genuine accessories catalog.

However, there is a case that this child restraint system is not sold because of nonconformity to the law of your country or other reason.

2) Child restraint system with support leg is prohibited in this seating position.

BEFORE DRIVING

NOTE:

- *'universal' is the category in UN Regulation No. 44.*

NOTE:

- *For the installation suitability of child restraint systems of Taiwan models, refer to "For Taiwan" in the "SUPPLEMENT" section.*
- *For the child restraint systems of Australia models, refer to "For Australia" in the "SUPPLEMENT" section.*

Installation suitability of ISOFIX child restraint systems

Mass Group	Size class	Fixture	Vehicle ISOFIX positions					
			Front Passenger	Rear Outboard	Rear Center	Intermediate Outboard	Intermediate Center	Others sites
carrycot	F	ISO/L1	N.A.	X	N.A.	N.A.	N.A.	N.A.
	G	ISO/L2	N.A.	X	N.A.	N.A.	N.A.	N.A.
group 0	up to 10 kg	E	ISO/R1	N.A.	IL	N.A.	N.A.	N.A.
group 0+	up to 13 kg	E	ISO/R1	N.A.	IL	N.A.	N.A.	N.A.
		D	ISO/R2	N.A.	IL	N.A.	N.A.	N.A.
		C	ISO/R3	N.A.	IL	N.A.	N.A.	N.A.
group I	9 to 18 kg	D	ISO/R2	N.A.	IL	N.A.	N.A.	N.A.
		C	ISO/R3	N.A.	IL	N.A.	N.A.	N.A.
		B	ISO/F2	N.A.	IL,IUF	N.A.	N.A.	N.A.
		B1	ISO/F2X	N.A.	IL,IUF ¹⁾	N.A.	N.A.	N.A.
		A	ISO/F3	N.A.	IL,IUF	N.A.	N.A.	N.A.
group II	15 to 25 kg			N.A.	X	N.A.	N.A.	N.A.
group III	22 to 36 kg			N.A.	X	N.A.	N.A.	N.A.

Key of letters to be inserted in the above table

IUF = Suitable for ISOFIX forward child restraints systems of universal category approved for use in this mass group

IL = Suitable for particular ISOFIX CRS are those of "specific vehicle", "restricted" or "semi-universal" categories.

X = ISOFIX position not suitable for ISOFIX child restraint systems in this mass group and/or this size class.

N.A. = Not applicable

BEFORE DRIVING

NOTE:

1) SUZUKI recommends “Britax Römer Duo Plus” child seat.

2) SUZUKI recommends “Britax Römer KidFix XP” child seat.

These child restraint systems are SUZUKI Genuine Accessory which comply with the UN R44 or R129, refer to the genuine accessories catalog.

However, there are cases that some or all of these child restraint systems are not sold because of nonconformity to the law of your country or other reason.

NOTE:

- ‘universal’ is the category in UN Regulation No. 44.

NOTE:

- For the installation suitability of ISOFIX child restraint systems of Taiwan models, refer to “For Taiwan” in the “SUPPLEMENT” section.
- For the child restraint systems of Australia models, refer to “For Australia” in the “SUPPLEMENT” section.

Installation suitability of i-Size child restraint systems

	Seating position						
	Front Passenger Outboard	Rear Outboard Left	Rear Outboard Right	Rear Center	Intermediate Outboard Left	Intermediate Outboard Right	Intermediate Center
i-Size Child Restraint	N.A.	i-U	i-U	N.A.	N.A.	N.A.	N.A.

Key of letters to be inserted in the above table

i-U =Suitable for i-Size “universal” Child Restraint Systems forward and rearward facing.

i-UF =Suitable for forward-facing i-Size “universal” Child Restraint Systems only.

X =Seating position not suitable for i-Size “universal” Child Restraint Systems.

N.A.=Not applicable

NOTE:

- ‘universal’ is the category in UN Regulation No. 129.

NOTE:

For the installation suitability of i-Size child restraint systems of Taiwan models, refer to “For Taiwan” in the “SUPPLEMENT” section.

Child restraint system for countries applied for UN Regulation No.16-08

CAUTION

Adjust the height of the head restraint or remove it for fitting the child restraint, as necessary. However, if a booster cushion not equipped with the head restraint is fitted, the head restraint should not be removed. If the head restraint is removed for fitting the child restraint, you need to install it again after removing the child restraint. If the child restraint is fitted improperly, a child sitting in it could be injured in a collision. (Refer to “Installation with lap-shoulder seat belts” section, “Installation with ISO-FIX type anchorages” section and “Installation of child restraint with top tether” section in this section for details.)



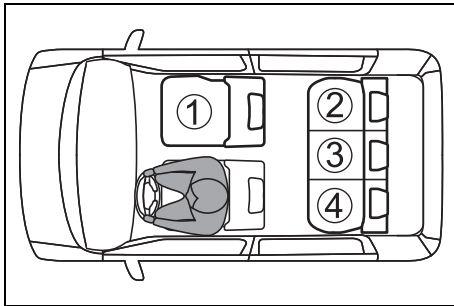
73S02010

The vehicle complies with UN Regulation No. 16-08, if one of the above image is shown on the information display in the instrument cluster (with tachometer) for several seconds when the ignition switch is turned to “ON” position or the engine switch is pressed to change the ignition mode to ON.

Child restraint

The suitability of each passenger's seat position for carriage of children and fitting of child restraint system is shown in the table.

Child restraint systems suitability for each seat position








83RS034

The above illustration shows Left handle drive vehicle.

NOTE:
Seat position number of ①, ②, ③ and ④ is same as Left handle drive vehicle for Right handle drive vehicle.

- ① Front passenger's seat
- ② Rear seat right side
- ③ Rear seat center
- ④ Rear seat left side

① (#1, #2, #3)	Front Passenger airbag is activated	
	Front Passenger airbag is deactivated	
② (#2, #3)		
③ (#2, #3)		
④ (#2, #3)		



It is suitable for universal category of child restraint system fixed with the vehicle seat belt.



It is suitable for i-Size and ISOFIX child restraint system.



This seat is equipped with Top tether anchor-point.



Never use a rear-facing child restraint system on the passenger seat when the front passenger airbag is activated.



It is not suitable for child restraint system.

- #1: Move the front seat fully rearward.
- #2: When you install a forward-facing child restraint, if there is a gap or space between the child restraint and the seatback, adjust the seatback angle in order to install the child restraint system properly.
- #3: If the head restraint interferes with the child restraint system, adjust the height of the head restraint or remove it, as necessary.

NOTE:
For the installation suitability of child restraint systems of Taiwan models, refer to "For Taiwan" in the "SUPPLEMENT" section.

BEFORE DRIVING

Detailed information for child restraint system

Seat position number	Seating position				
	①		②	③	④
	Front Passenger airbag is activated	Front Passenger airbag is deactivated			
Seating position suitable for universal belted (YES/NO)	NO	YES	YES	YES	YES
i-Size seating position (YES/NO)	NO	NO	YES	NO	YES
Seating position suitable for lateral fixture (L1/L2)	NO	NO	X	NO	X
Suitable rear-facing fixture (R1/R2X/R2/R3)	NO	NO	R1,R2X, R2,R3	NO	R1,R2X, R2,R3
Suitable front-facing fixture (F2X/F2/F3)	NO	NO	F2X,F2,F3	NO	F2X,F2,F3
Suitable booster fixture (B2/B3)	NO	B2, B3	B2, B3	B2, B3	B2, B3

Key of letters to be inserted in the above table

YES =Suitable for this seating position

NO = Not suitable for this seating position

X =ISOFIX position is not suitable for ISOFIX child restraint systems in this fixture.

The child restraint system can be used in the seating positions for fixture shown in the above table.

For child restraint system fixtures, confirm the table of next page.

NOTE:

For the installation suitability of child restraint systems of Taiwan models, refer to “For Taiwan” in the “SUPPLEMENT” section.

If your child restraint system has no size class (or if you cannot find information in the following table), refer to the child restraint system suitability information for the vehicle or ask the retailer of your child seat.

ISOFIX child restraint systems are shown as follows;

ISOFIX child restraint systems are divided into different mass group, size class and fixture.

Mass group	Size class	Fixture	Description
0 (up to 10 kg)	F	L1	Left Lateral facing position Child Restraint Systems (carry-cot)
	G	L2	Right Lateral facing position Child Restraint Systems (carry-cot)
	E	R1	Rear-facing seat
0+ (up to 13kg)	E	R1	Rear-facing seat
	D	R2	Reduced-Size rear-facing toddler Child Restraint Systems
	–	R2X	Reduced-Size rear-facing toddler Child Restraint Systems
	C	R3	Full-Size rear-facing toddler Child Restraint Systems
I (9kg to 18kg)	D	R2	Reduced-Size rear-facing toddler Child Restraint Systems
	–	R2X	Reduced-Size rear-facing toddler Child Restraint Systems
	C	R3	Full-Size rear-facing toddler Child Restraint Systems
	B	F2	Reduced-Height front-facing toddler Child Restraint Systems
	B1	F2X	Reduced-Height front-facing toddler Child Restraint Systems
	A	F3	Full-Height front-facing toddler Child Restraint Systems

BEFORE DRIVING

Mass group	Size class	Fixture	Description
II (15kg to 25kg)	X	X	–
III (22kg to 36kg)	X	X	–

Key of letters to be inserted in the above table

X = There is no fixture for this mass group.

Booster seat fixtures are shown as follows;

Fixture	Description
B2	Booster seat, reduced width 440 mm
B3	Booster seat, full width 520 mm

NOTE:

For the installation suitability of child restraint systems of Taiwan models, refer to “For Taiwan” in the “SUPPLEMENT” section.

Installation suitability of SUZUKI recommendation child restraint systems

Mass group	Recommendation of Child restraint system (#A)	Seating position				
		①		②	③	④
		Front Passenger airbag is activated	Front Passenger airbag is deactivated			
0, 0+ (up to 13kg)	Britax Römer Baby-Safe i-Size	NO	YES (#1)	YES (#1)	YES (#1)	YES (#1)
I (9kg to 18kg)	Britax Römer Duo Plus	NO	YES (#1)	YES	YES (#1)	YES
II, III (15kg to 36kg)	Britax Römer KidFix XP	NO	YES (#1)	YES	YES (#1)	YES

Key of letters to be inserted in the above table

YES = It is suitable for this seating position

NO = It is not suitable for this seating position

#1: Only belted.

#A: These child restraint systems are SUZUKI Genuine Accessory which comply with the UN R44 or R129, refer to the genuine accessories catalog.

However, there are cases that some or all of these child restraint systems are not sold because of nonconformity to the law of your country or other reason.

NOTE:

For the child restraint systems of Australia models, refer to "For Australia" in the "SUPPLEMENT" section.

BEFORE DRIVING

Installation with lap-shoulder seat belts

CAUTION

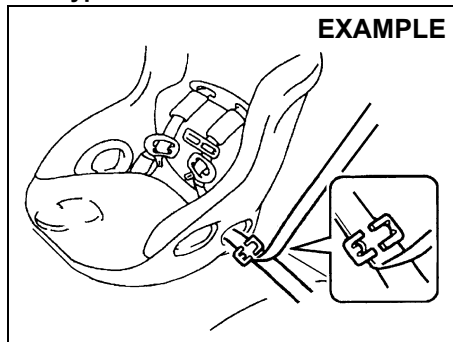
Adjust the height of the rear head restraint or remove it for fitting the child restraint, as necessary. However, if a booster cushion not equipped with the head restraint is fitted, the rear seat head restraint should not be removed. If the rear head restraint is removed for fitting the child restraint, you need to install it again after removing the child restraint.

If the child restraint is fitted improperly, a child sitting in it could be injured in a collision.

NOTE:

Stow the removed head restraint in the luggage compartment so it will not cause inconvenience to the occupants.

ELR type belt



80JC021

(For models with front passenger airbag deactivation system)

Whenever possible, SUZUKI recommends that child restraint systems be installed on the rear seat. According to accident statistics, children are safer when properly restrained in rear seats than in the front passenger seat.

- If you must install the child restraint system on the front passenger's seat, follow instructions below.
 - Deactivate the front passenger's front airbag by the front passenger airbag deactivation system.
 - Slide the seat to the most rear position by the seat position adjustment lever.
 - Adjust the seatback at the 5th step inclined position (counted from most upright position) with the seatback angle adjustment lever.

- If your vehicle is equipped with the seat height adjustment lever, raise the seat to the uppermost position by the seat height adjustment lever.

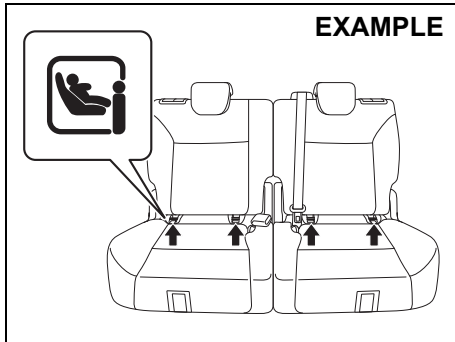
Install your child restraint system according to the instructions provided by the child restraint system manufacturer.

Check that the seat belt is securely latched.

Move the child restraint system in all directions to check that it is securely installed.

When you put your child in the child restraint system, appropriately slide the front seat forward not to touch a part of your child's body.

Installation with ISOFIX type anchorages



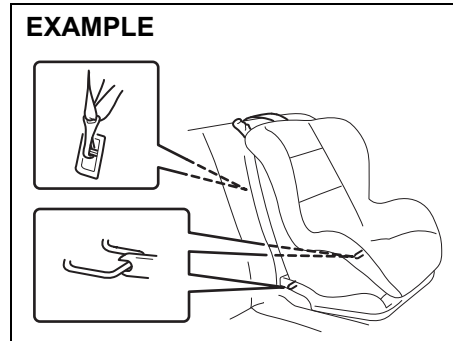
75RM040

Your vehicle is equipped with the lower anchorages in the rear seat outboard seating positions for securing a ISOFIX type of child restraints with the connecting bars. The lower anchorages are located where the rear of the seat cushion meets the bottom of the seatback.

⚠ WARNING

Install the ISOFIX type of child restraint(s) in the only outboard seating positions, not in the central position for the rear seat.

Install the ISOFIX type child restraint system according to the instructions provided by the child restraint system manufacturer. After installation, try moving the child restraint system in all directions especially forward to check that connecting bars are securely latched to the anchorages.



84MM00252

Your vehicle is equipped with the top tether anchorages. Use the top tether strap of the child restraint according to the instructions provided by the child restraint system manufacturer.

Here is a general instruction:

⚠ CAUTION

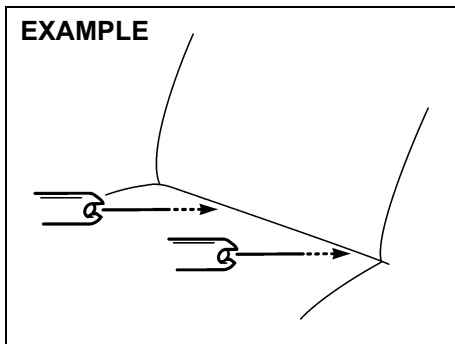
Adjust the height of the rear head restraint or remove it for fitting the child restraint, as necessary. However, if a booster cushion not equipped with the head restraint is fitted, the rear seat head restraint should not be removed. If the rear head restraint is removed for fitting the child restraint, you need to install it again after removing the child restraint. If the child restraint is fitted improperly, a child sitting in it could be injured in a collision.

NOTE:

Stow the removed head restraint in the luggage compartment so it will not cause inconvenience to the occupants.

BEFORE DRIVING

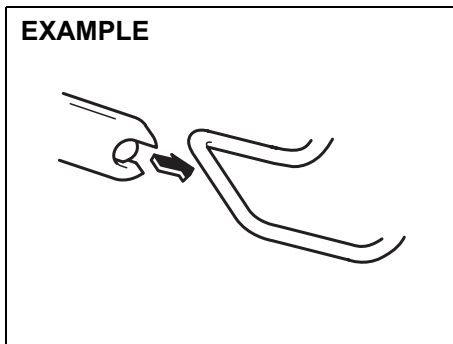
EXAMPLE



78F114

- 1) Place the child restraint in the rear seat, inserting the connecting bars to the anchorages between the seat cushion and the seatback.

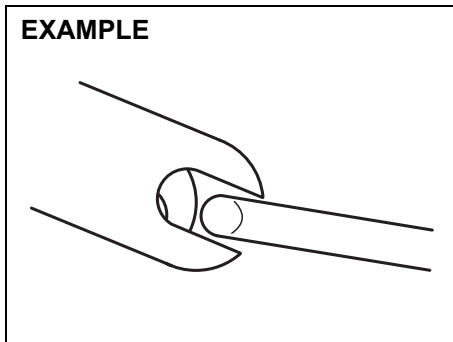
EXAMPLE



68LM268

- 2) Use your hands to carefully align the connecting bar tips with the anchorages. Take care not to pinch your fingers.

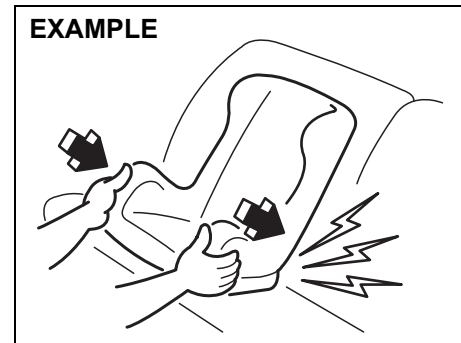
EXAMPLE



54G184

- 3) Push the child restraint toward the anchorages so that the connecting bar tips are partially hooked to the anchorages. Use your hands to confirm the position.

EXAMPLE

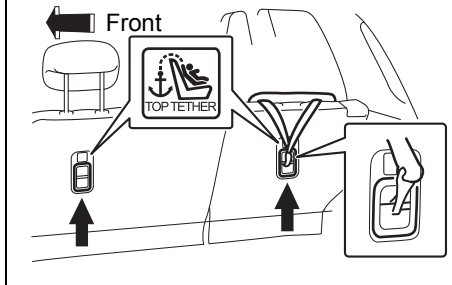


54G185

- 4) Grasp the front of the child restraint and push the child restraint forcefully to latch the connecting bars. Check that they are securely latched by trying to move the child restraint system in all directions, especially forward.
- 5) Attach the top tether strap referring to "Installation of child restraint with top tether" section below.
When you put your child in the child restraint system, appropriately slide the front seat forward not to touch a part of your child's body.

NOTICE

When installing a child restraint system to the rear seat, adjust the front seat position so that the front seat does not interfere with the child restraint system.

Installation of child restraint with top tether
EXAMPLE

73SB02050

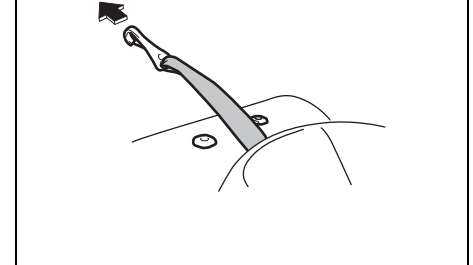
Some child restraint systems require the use of a top tether strap. Top tether anchorage brackets are provided in your vehicle at the locations shown in the illustrations.

The number of the top tether anchorage brackets provided in your vehicle depends on the vehicle specification. Install the child restraint system as follows:

- 1) Remove the luggage compartment cover (if equipped).
- 2) Secure the child restraint on the rear seat using the procedure described above for securing a restraint system that does not require a top tether strap.
- 3) Hook the top tether strap to the top tether anchorage bracket and tighten the top tether strap according to the instructions provided by the child restraint system manufacturer. Attach the top tether strap to the corresponding top tether anchorage bracket located directly behind the child restraint. Do not attach the top tether strap to the luggage restraint loops (if equipped).

WARNING

Do not attach the child restraint top tether strap to the luggage restraint loops (if equipped). Incorrectly attached top tether strap will reduce the intended effectiveness of the child restraint system.

EXAMPLE

54P000264

- 4) When routing the top tether strap, pass the top tether strap as shown in the illustration. (Refer to "Head restraints" section for details on how to remove the head restraint.)
- 5) Check that cargo does not interfere with routing of the top tether strap.

NOTICE

When installing a child restraint system to the rear seat, adjust the front seat position so that the front seat does not interfere with the child restraint system.

NOTE:

For Australia:

For additional information, refer to the "SUPPLEMENT" section at the end of this book.

Supplemental restraint system (airbags)

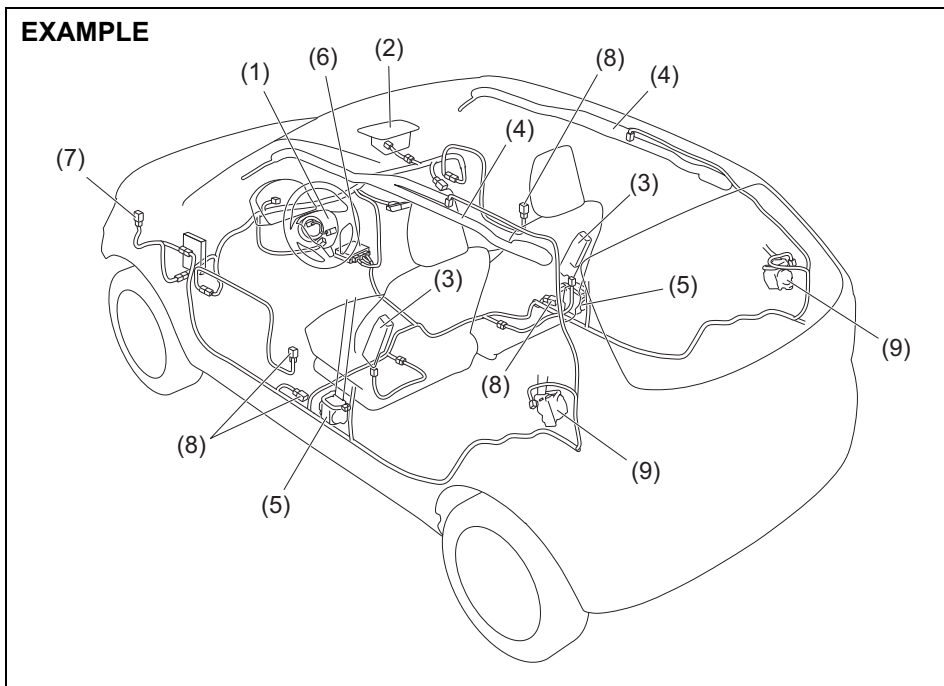
▲ WARNING

This section describes the protection provided by your SUZUKI vehicle's supplemental restraint system (airbags). Read and follow all instructions carefully to minimize your risk of severe injury or death in the event of a collision.

Your vehicle is equipped with a supplemental restraint system consisting of the following components in addition to a lap-shoulder belt at each seating position.

- (1) Driver's front airbag module
- (2) Front passenger's front airbag module
- (3) Side airbag modules (if equipped)
- (4) Side curtain airbag modules (if equipped)
- (5) Front seat belt pretensioners
- (6) Airbag controller
- (7) Forward crash sensor
- (8) Side crash sensors (if equipped)
- (9) Rear seat belt pretensioners (if equipped)

EXAMPLE



75RM363

▲ WARNING

An airbag supplements or adds to the collision protection offered by seat belts. The driver and all passengers must be properly restrained by fastening seat belts at all times, whether or not an airbag is mounted at their seating position, to minimize the risk of severe injury or death in the event of a collision.

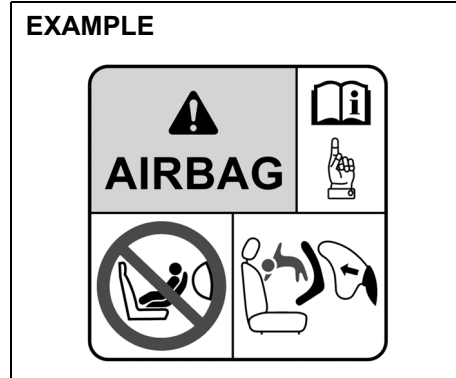
AIRBAG light



63J030

If AIRBAG light on the instrument cluster does not blink or come on when the ignition switch is first turned to “ON” position, or the ignition mode is first changed to ON, or AIRBAG light stays on, or comes on while driving, the airbag system (or the seat belt pretensioner system) may not work properly. Have the airbag system inspected by a SUZUKI dealer as soon as possible.

Warning label for front passenger’s front airbag



72M00150

You may find this label on the sun visor.

▲ WARNING

NEVER use a rearward facing child restraint on a seat protected by an ACTIVE AIRBAG in front of it, DEATH or SERIOUS INJURY to the CHILD can occur.

NOTE:

- For the label of Taiwan models, refer to “For Taiwan” in the “SUPPLEMENT” section.
- For the label of GCC countries models, refer to “For GCC countries” in the “SUPPLEMENT” section.

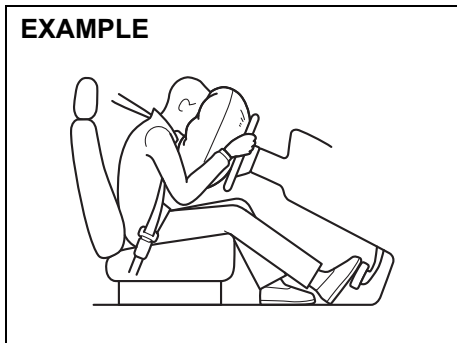
Description of warning label

Symbol	Symbol meaning
	Do not install a rear-facing child restraint system to the front passenger’s seat equipped with an airbag.
	If the front passenger’s seat airbag were to be deployed, a major impact could be applied to a rear-facing child restraint system and the child.
	For more details, read this owner’s manual.

BEFORE DRIVING

Front airbags

EXAMPLE



63J259

Front airbags are designed to inflate in severe frontal collisions when the ignition switch is in “ON” position or the ignition mode is ON.

NOTE:

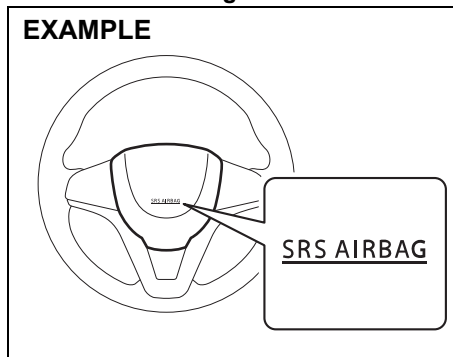
In a frontal angle collision, the side airbags (if equipped) and side curtain airbags (if equipped) may inflate.

Front airbags are not designed to inflate in rear impacts, side impacts, rollovers or minor frontal collisions, since they would offer no protection in those types of accidents. Since an airbag deploys only one time during an accident, seat belts are needed to restrain occupants from further movements during the accident.

Therefore, an airbag is not a substitute for seat belts. To maximize your protection, always fasten your seat belts. Be aware that no system can prevent all possible injuries that may occur in an accident.

Driver's front airbag

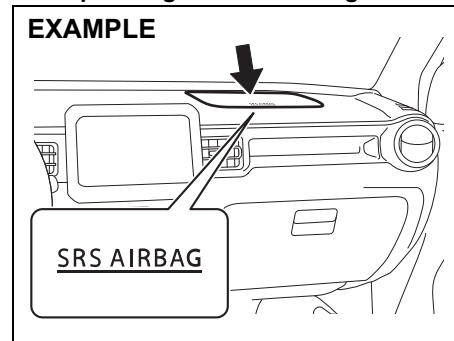
EXAMPLE



81P30640

Front passenger's front airbag

EXAMPLE



75RM106

The driver's front airbag is located behind the center pad of the steering wheel and the front passenger's front airbag is located behind the passenger's side of the dashboard.

The words “SRS AIRBAG” are molded into the airbag covers to identify the location of the airbags.

⚠ WARNING

If the airbag stored place is damaged or cracked, the airbag system may not work properly, which could result in serious injury in the event of a collision. Have your vehicle inspected by a SUZUKI dealer.

⚠ WARNING

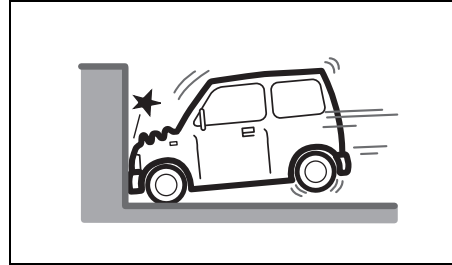
(Vehicle without the front passenger airbag deactivation system)
Do not install a rear-facing child restraint in the front passenger's seat. If the passenger's front airbag inflates, a child in a rear-facing child restraint could be killed or severely injured. The back of a rear-facing child restraint would be too close to the inflating airbag.

⚠ WARNING

(Vehicle with the front passenger airbag deactivation system)
Whenever a child restraint system has to be used in the front passenger's seat, regardless of front facing or rear facing, the front passenger's airbag system must be deactivated. Otherwise deployment of the front passenger's airbag could result in the death or serious injury of the child.

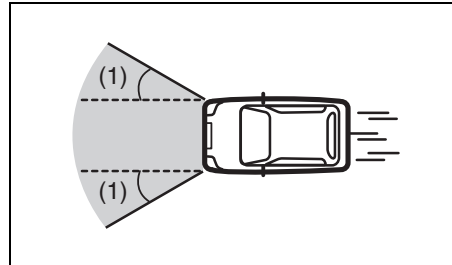
Refer to "Seat belts and child restraint systems" section for details on securing your child.

Front airbags deploy (inflation)



80J097

- Frontal collision with a fixed wall that does not move or deform at more than about 25 km/h (15 mph)

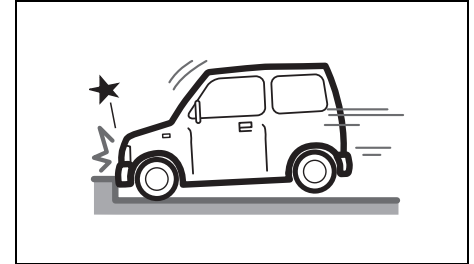


80J098E

- Strong impact equivalent to frontal collision such as above at left and right angles of about 30 degrees (1) or less from the front of your vehicle

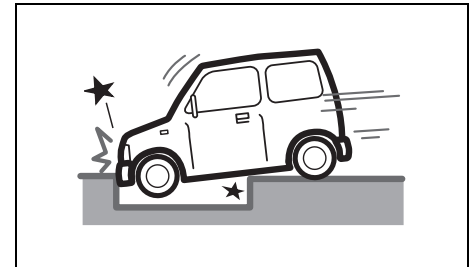
Front airbags may inflate

Receiving a strong impact to the lower body of your vehicle, the front airbags may inflate.



80J099

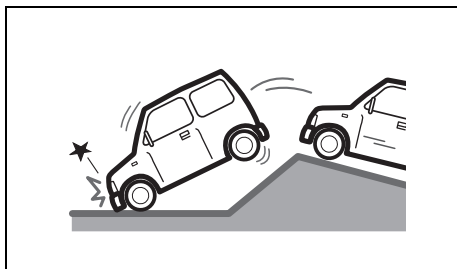
- Hitting a curb or medial strip



80J100E

- Falling into a deep hole or ditch

BEFORE DRIVING



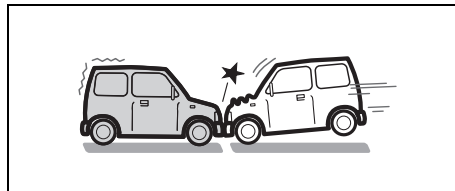
80J101

- Landing hard or falling

Front airbags may not inflate

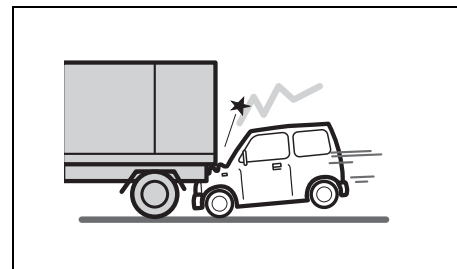
The front airbags may not inflate when a strong impact has not occurred since the collision object was easy to be deformed or moved, or the crashed portion of your vehicle was easy to be deformed.

Also, front airbags may not inflate in many cases when the collision angle is greater than about 30 degrees at left and right angles from the front of your vehicle.



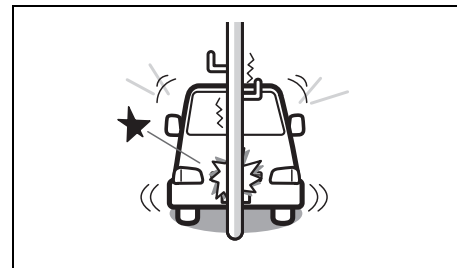
80J102

- Frontal collision to a stopped vehicle at less than about 50 km/h (30 mph)



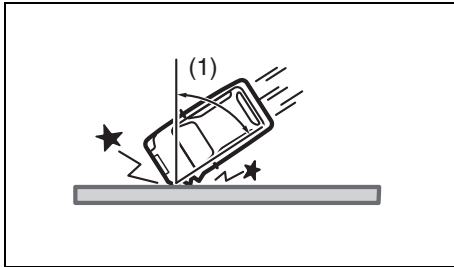
80J103

- Collision that the front of your vehicle goes under the bed of a truck etc.



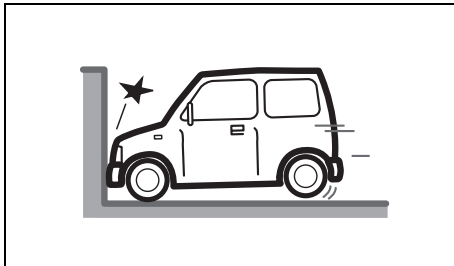
80J104

- Collision with a utility pole or stumpage



80J105E

- Collision with a fixed wall or guardrail at left and right angles of greater than about 30 degrees (1) from the front of your vehicle

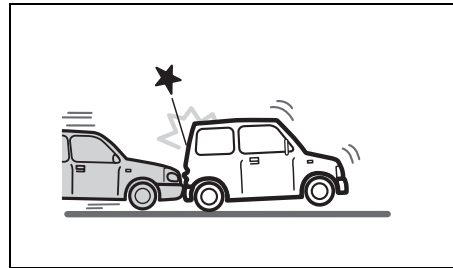


80J106

- Frontal collision with a fixed wall that does not move or deform at less than about 25 km/h (15 mph)

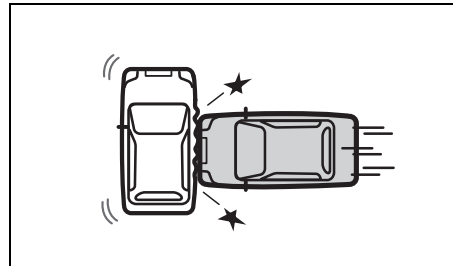
Front airbags do not inflate

Front airbags do not inflate in rear impacts, side impacts or rollovers, etc. However, these might inflate in a strong impact.



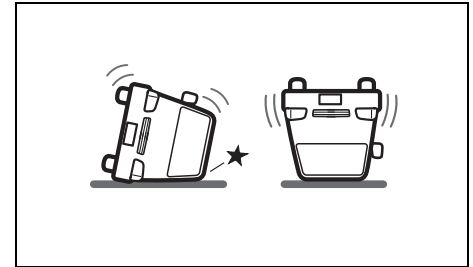
80J120

- Impact from the rear



80J119

- Impact from the side



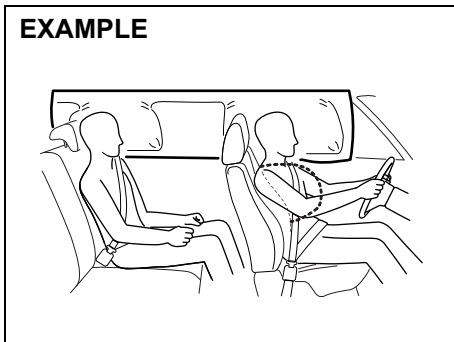
80J110

- Vehicle rollover

BEFORE DRIVING

Side airbags and side curtain airbags (if equipped)

EXAMPLE



68KM090

Side airbags and side curtain airbags are designed to inflate in severe side impact collisions when the ignition switch is in "ON" position or the ignition mode is ON.

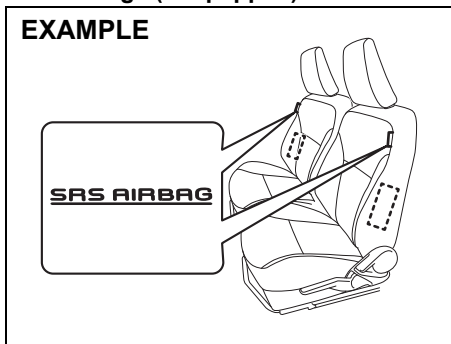
Side airbags and side curtain airbags are not designed to inflate in frontal or rear collisions, rollovers or minor side collisions, since they would offer no protection in those types of accidents. Only the side airbag and side curtain airbag on the side of the vehicle that is struck will inflate. However, in a frontal angle collision, the side airbags and side curtain airbags may inflate. Since an airbag deploys only one time during an accident, seat belts are

needed to restrain occupants from further movements during the accident.

Therefore, an airbag is not a substitute for seat belts. To maximize your protection, always fasten your seat belts. Be aware that no system can prevent all possible injuries that may occur in an accident.

Side airbags (if equipped)

EXAMPLE

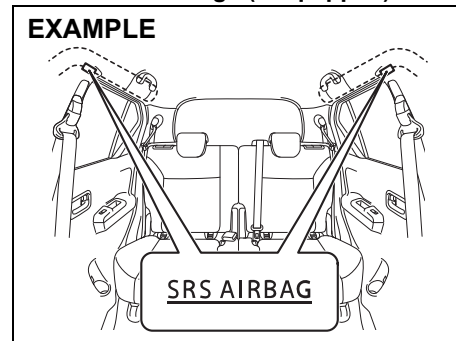


75RM107

Side airbags are located in the part of the front seatbacks closest to the doors. The "SRS AIRBAG" labels are attached to the seatbacks to identify the location of the side airbags.

Side curtain airbags (if equipped)

EXAMPLE



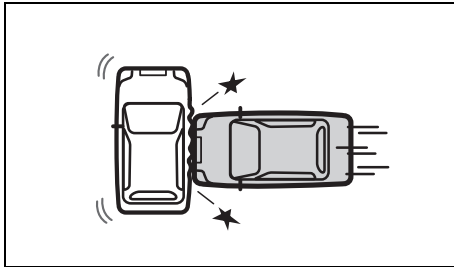
75RM041

Side curtain airbags are located in the roof lining. The words "SRS AIRBAG" are molded into the pillar to identify the location of the side curtain airbags.

⚠ WARNING

If the airbag stored place is damaged or cracked, the airbag system may not work properly, which could result in serious injury in the event of a collision. Have your vehicle inspected by a SUZUKI dealer.

Side airbags and side curtain airbags deploy (inflation)

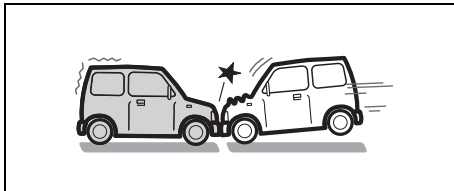


80J119

- Impacts from the side at about a right angle by a general passenger car to your vehicle at more than about 30 km/h (20 mph) or in a greater impact

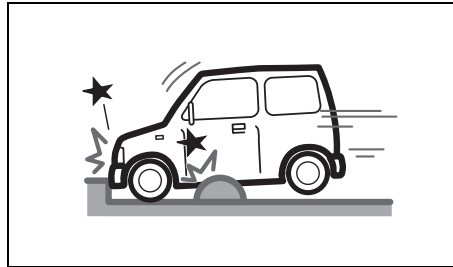
Side airbags and side curtain airbags may inflate in a strong impact

Side airbags and side curtain airbags may inflate even in a frontal collision, if there is a strong impact to the lateral direction.



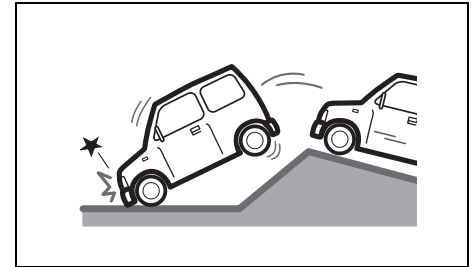
80J102

- Frontal collision



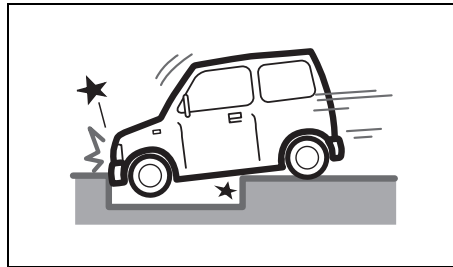
52RM20730

- Hitting a curb or bump



80J101

- Landing hard or falling

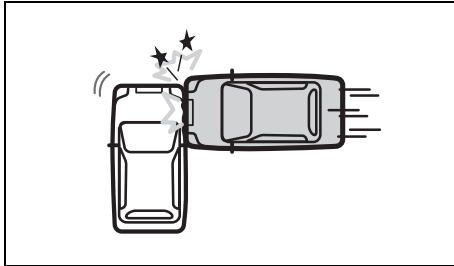


80J100E

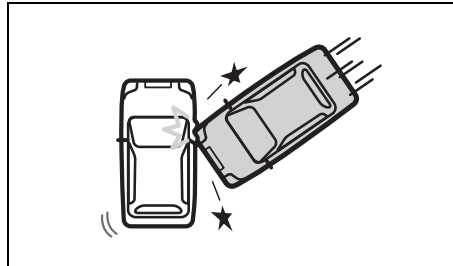
- Falling into a deep hole or ditch

BEFORE DRIVING

Side airbags and side curtain airbags may not inflate

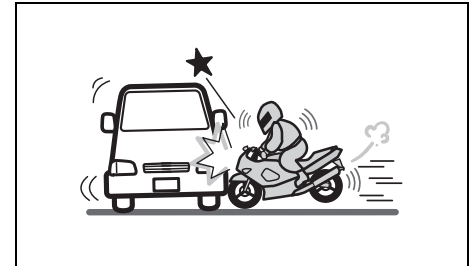


80J121



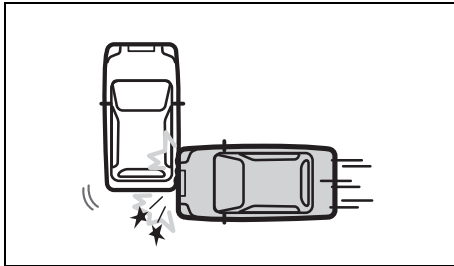
80J123

- Impact from the side at an oblique angle



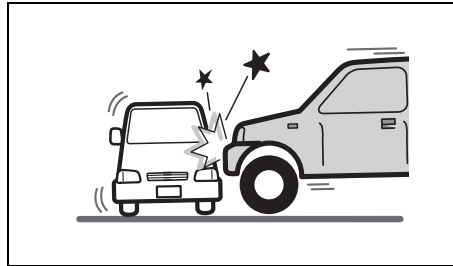
80J125

- Impact from the side by a motorcycle or bicycle



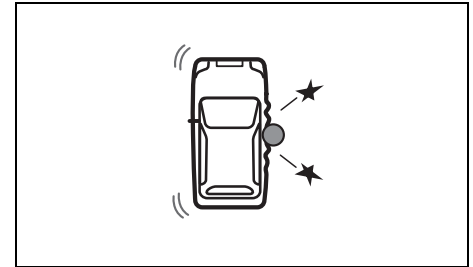
80J122

- Impact from the side to the vehicle body other than the passenger compartment



80J124

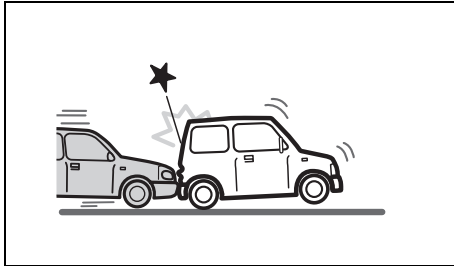
- Impact from the side by a high hood vehicle



80J126

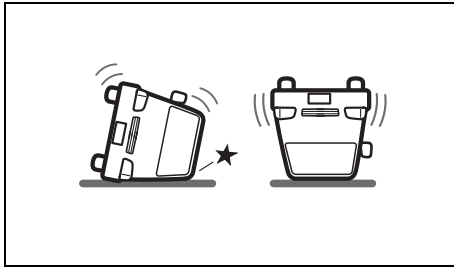
- Collision with a utility pole or stumpage

Side airbags and side curtain airbags do not inflate



80J120

- Impact from the rear



80J110

- Vehicle rollover

How the system works

In a frontal collision, the crash sensors will detect rapid deceleration, and if the controller judges that the deceleration represents a severe frontal collision, the controller will trigger the inflators. If your vehicle is equipped with side airbags and side curtain airbags, crash sensors will detect a side collision, and if the controller judges that the side collision is severe enough, it will trigger the side airbag and side curtain airbag inflators. The inflators inflate the appropriate airbags with nitrogen or argon gas. The inflated airbags provide a cushion for your head (front airbags and side curtain airbags only) and upper body. The airbag inflates and deflates so quickly that you may not even realize that it has activated. The airbag will neither hinder your view nor make it harder to exit the vehicle.

Airbags must inflate quickly and forcefully in order to reduce the chance of serious or fatal injuries. However, an unavoidable consequence of the quick inflation is that the airbag may irritate bare skin, such as the facial area against a front airbag. Wash off any residue as soon as possible to prevent skin irritation. Also, upon inflation, a loud noise will occur and some powder and smoke will be released. These conditions are not harmful and do not indicate a fire in the vehicle.

A seat belt helps keep you in the proper position for maximum protection when an airbag inflates. Adjust your seat as far back as possible while still maintaining control of the vehicle. Sit fully back in your seat; sit up straight; do not lean over the steering wheel or dashboard. Front occupants should not lean on or sleep against the door. Refer to “Seat adjustment” section and “Seat belts and child restraint systems” section in this section for details on proper seat and seat belt adjustments.



65D610



54G582



65D608

▲ WARNING

- The driver should not lean over the steering wheel. The front passenger should not rest his or her body against the dashboard where a front airbag is mounted or a child should not stand in front of the dashboard. Otherwise, he or she will get too close to the dashboard. For vehicles with side airbags and side curtain airbag, occupants should not lean on or sleep against the door. In these situations, the out-of-position occupant would be too close to an inflating airbag, and may suffer severe injury.
- Do not attach any objects to, or place any objects over, the steering wheel or dashboard. Do not place any objects between the airbag and the driver or front passenger. These objects may interfere with airbag operation or may be propelled by the airbag in the event of a collision. Also, these objects may move when you start moving vehicle or while vehicle is moving, they may interfere with driver's view or safe driving. In each conditions may cause severe injury.

(Continued)

▲ WARNING

(Continued)

- For vehicles with side airbags, do not use non-genuine seat covers on the front seats, because non-genuine seat covers may obstruct the inflation of side airbags. SUZUKI highly recommends SUZUKI-genuine seat covers to be used when covering the front seats of such vehicles with side airbags. Also, near the door, do not place cup holders, hangers or any other objects and do not lean an umbrella, as these objects could be propelled by the airbag in the event of a collision. Either of these conditions may cause severe injury.
- Do not strike or apply significant levels of impact to the airbag component areas. It can cause the airbags to malfunction.
- Even though your vehicle is moderately damaged by a collision, it may not be severe enough to trigger front, side or side curtain airbags to inflate. If your vehicle sustains any front-end or side damage, have the airbag system inspected by an authorized SUZUKI dealer to ensure that it works properly. If the original function of airbag system is damaged, airbag may not function effectively and fully in case of an emergency.

(Continued)

⚠ WARNING

(Continued)

- **Immediately after an airbag is activated, the airbag components may become hot and this may cause burn injury. Do not touch the airbag components immediately after an airbag is activated.**

Your vehicle is equipped with a diagnostic module which records information about the airbag system if the airbags deploy in a collision. The module records information about overall system status, and which sensors activated the deployment.

Servicing the airbag system

If the airbags inflate, have the airbags and related components replaced by a SUZUKI dealer as soon as possible.

If your vehicle ever gets in deep water and the driver's floor is submerged, the airbag controller could be damaged. If this happens, ask your SUZUKI dealer to check the airbag system as soon as possible.

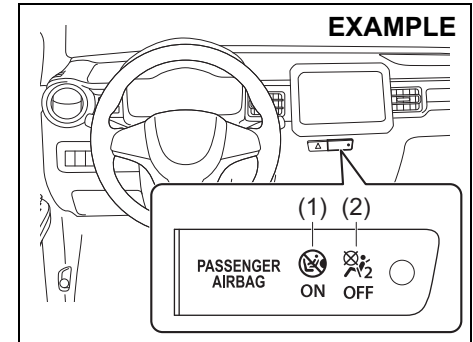
Special procedures are required for servicing or replacing an airbag. For that reason, only a SUZUKI dealer should be allowed to service or replace your airbags. Remind anyone who services your SUZUKI vehicle that it has airbags.

To prevent damage or unintended inflation of the airbag system, check that the lead-acid battery is disconnected and the ignition switch has been in "LOCK" position or the ignition mode has been LOCK (OFF) for at least 90 seconds before performing any electrical service work on your SUZUKI vehicle. Do not touch airbag system components or wires. The wires are wrapped with yellow tape or yellow tubing, and the couplers are yellow for easy identification.

Scrapping a vehicle that has an uninflated airbag can be hazardous. Ask your dealer, body repair shop or scrap yard for help with disposal.

⚠ WARNING

Improper service on or around airbag components or wiring could result in unintended airbag deployment or could cause malfunction of the airbag. Either of these two conditions may result in severe injury. Consult your SUZUKI dealer when service on or around airbag components or wiring is necessary.

Front passenger airbag deactivation system (if equipped)

75RM189

The front passenger's front airbag must be deactivated if a child restraint system is to be installed on the front passenger's seat. When the ignition switch is turned to "ON" position or the engine switch is pressed to change the ignition mode to ON, "PASSENGER AIRBAG ON" indicator (1) or "PASSENGER AIRBAG OFF" indicator (2) shows whether the front passenger's airbag is activated or deactivated.

BEFORE DRIVING

When the front passenger's airbag is activated, both "PASSENGER AIRBAG ON" indicator (1) and "PASSENGER AIRBAG OFF" indicator (2) come on for a few seconds and then go out.

After that, only "PASSENGER AIRBAG ON" indicator (1) comes on for about 1 minute and then goes out.

When the front passenger's airbag is deactivated, both "PASSENGER AIRBAG ON" indicator (1) and "PASSENGER AIRBAG OFF" indicator (2) come on for a few seconds and then go out.

After that, only "PASSENGER AIRBAG OFF" indicator (2) comes on.

When you activate or deactivate the front passenger's airbag, check which indicator is on before starting the engine.

Side airbags, side curtain airbags and seat belt pretensioners are not connected to the airbag deactivation system. Even if the front passenger's airbag is deactivated, side airbags, side curtain airbags and seat belt pretensioners are still activated.

⚠ WARNING

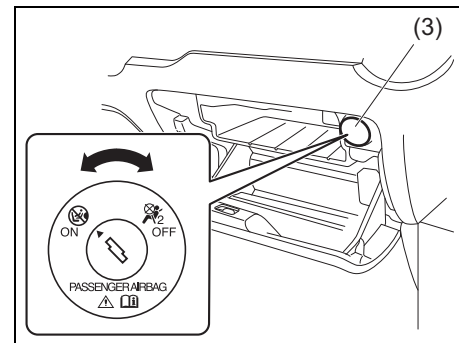
Whenever a child restraint system has to be used in the front passenger's seat, regardless of front facing or rear facing, the front passenger's airbag system must be deactivated. Otherwise deployment of the front passenger's airbag could result in the death or serious injury of the child.

⚠ WARNING

Check that the front passenger's airbag is activated and "PASSENGER AIRBAG ON" indicator (1) is on whenever there is no child restraint installed on the front passenger's seat.

According to accident statistics, children are safer when properly restrained in rear seats than in the front passenger seat. Whenever possible, SUZUKI recommends that child restraint systems be installed on the rear seat.

Airbag deactivation switch



75RM165

The airbag deactivation switch (3) is installed only for use when a front-facing or rear-facing child restraint system or infant restraint system is installed in the front passenger's seat. The switch is located at the upper corner inside the glove box.

To deactivate the front passenger's airbag, follow the instructions below before starting the engine.

- 1) Check that the ignition switch is in "LOCK" position or the engine switch is in LOCK (OFF) mode.
- 2) Insert the key into the airbag deactivation switch (3), then push and turn the key to "OFF" (airbag off) position, and pull out the key.
- 3) Turn the ignition switch to "ON" position or press the engine switch to change the ignition mode to ON. Both indicators come on for a few seconds and then go out.
After that, only "PASSENGER AIRBAG OFF" indicator (2) comes on to remind you that the front passenger's airbag is deactivated.

To activate the front passenger's airbag, follow the instructions below before starting the engine.

- 1) Check that the ignition switch is in "LOCK" position or the engine switch is in LOCK (OFF) mode.
- 2) Insert the key into the airbag deactivation switch (3), then push and turn the key to "ON" (airbag on) position, and pull out the key.
- 3) Turn the ignition switch to "ON" position or press the engine switch to change the ignition mode to ON. Both indicators come on for a few seconds and then go out.
After that, only "PASSENGER AIRBAG ON" indicator (1) comes on for about 1 minute and then goes out to remind you that the front passenger's airbag is activated.

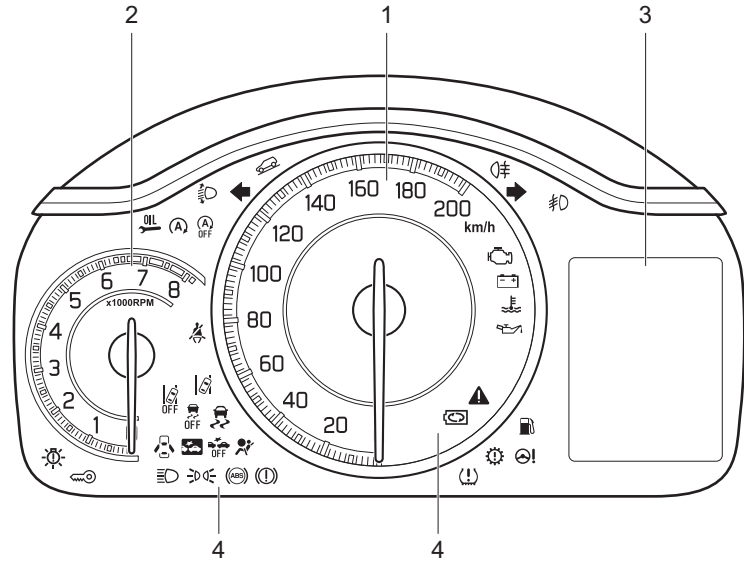
BEFORE DRIVING

Instrument cluster

1. Speedometer
2. Tachometer (if equipped)
3. Information display
4. Warning and indicator lights

With tachometer

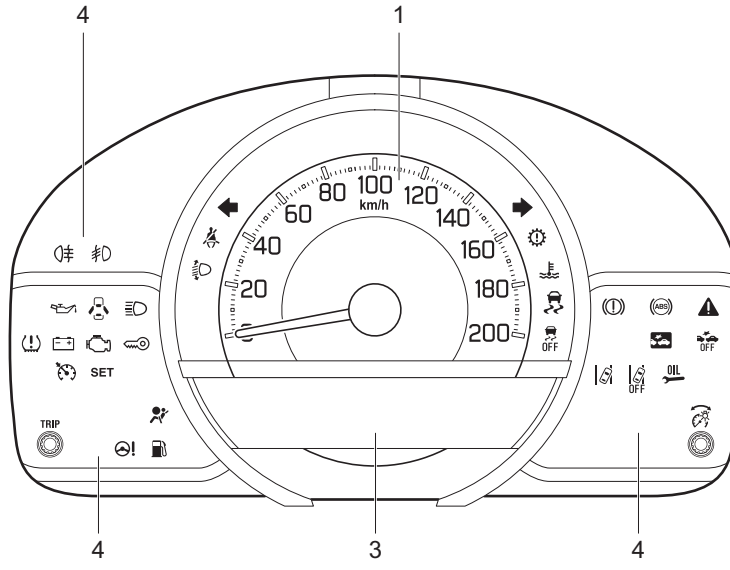
EXAMPLE



73SB016

Without tachometer

EXAMPLE



75RM316

Speedometer

The speedometer indicates vehicle speed.

NOTE:

For models of GCC countries, a buzzer will sound when the vehicle speed exceeds about 120 km/h. This buzzer does not indicate a vehicle malfunction. If you slow down to about 118 km/h, the buzzer will stop.

Tachometer (if equipped)

The tachometer indicates engine speed in revolutions per minute.

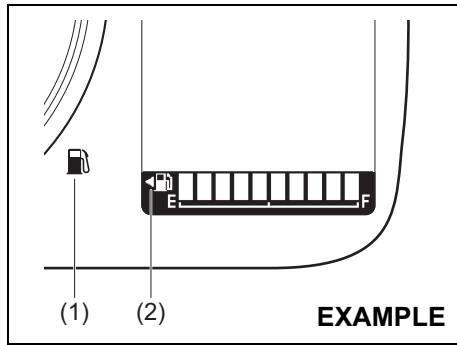
NOTICE

Never drive the vehicle with the engine revving in the red zone or severe engine damage can result. Keep the engine speed below the red zone even when downshifting to a lower gear position. Refer to “Downshifting maximum allowable speeds” in the “OPERATING YOUR VEHICLE” section.

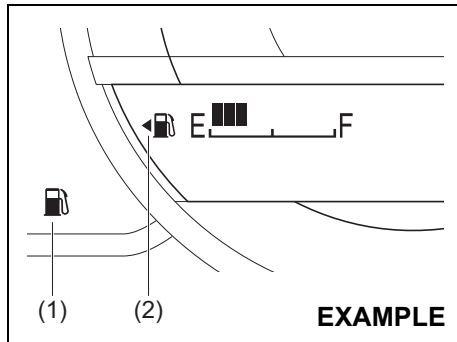
BEFORE DRIVING

Fuel gauge

With tachometer



Without tachometer



When the ignition switch is in “ON” position or the ignition mode is ON, this gauge gives an approximate indication of the amount of fuel in the fuel tank. “F” stands for full and “E” stands for empty.

- If the indicator shows only one segment to “E”, refill the tank as soon as possible. If the last segment blinks, it means that the fuel is almost empty.

If the low fuel warning light (1) comes on, fill the fuel tank immediately. Refer to “Low fuel warning light” in “Warning and indicator lights” in this section for details.

The mark (2) indicates that the fuel filler door is located on the left side of the vehicle.

Brightness control

When the ignition switch is turned to “ON” position or the engine switch is pressed to change the ignition mode to ON, the instrument cluster lights or pointer lights come on.

Your vehicle has a system to automatically dim the brightness of the instrument cluster lights when the position lights or headlights are on.

You can change the brightness of the instrument cluster lights;

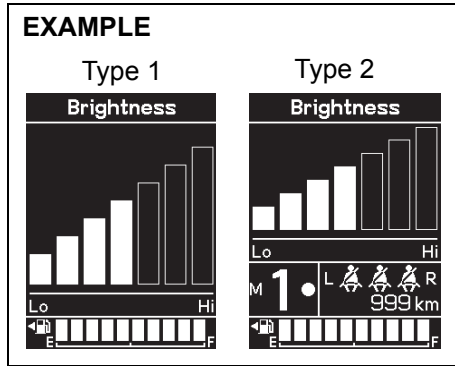
- For the instrument cluster with tachometer, regardless of whether the position lights or headlights are off or on.
- For the instrument cluster without tachometer, when the position lights and/or headlights are ON.

To switch the display indication to the brightness control, refer to “Information display” in this section.

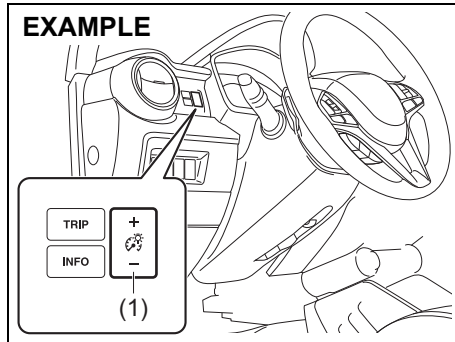
WARNING

Do not adjust the brightness of the instrument panel lights while driving. Otherwise, you could lose control of the vehicle.

With tachometer



73S03010



75RM182

To increase the brightness of the instrument panel lights, push “+” side of the brightness control switch (1). To change the brightness quickly, push and hold the switch.

To reduce the brightness of the instrument panel lights, push “-” side of the brightness control switch (1). To change the brightness quickly, push and hold the switch.

NOTE:

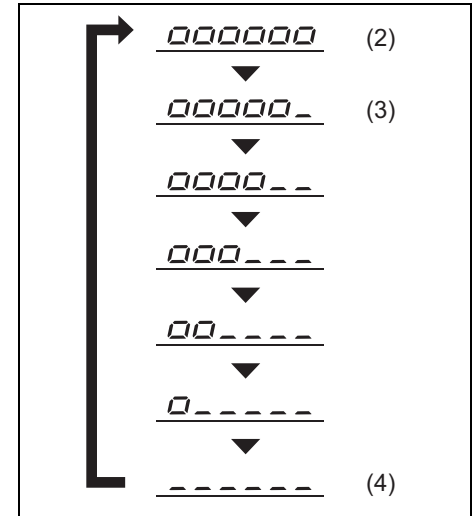
- If you do not push the brightness control switch within several seconds of activating the brightness control, the brightness control display will be canceled automatically.
- When you reconnect the lead-acid battery, the brightness of the instrument cluster lights will be reinitialized. Readjust the brightness according to your preference.

NOTE:

If you select the maximum brightness level when the position lights or headlights are on, the following functions will be canceled.

- The function which automatically dims the brightness of instrument cluster lights
- The function which operates with the brightness control, except maximum brightness level

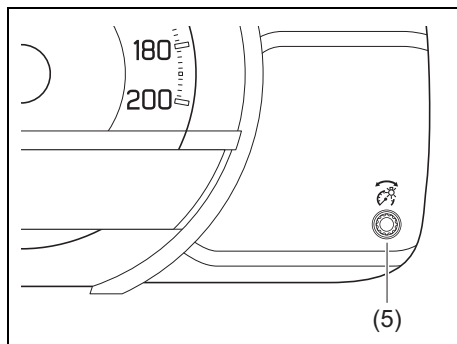
Without tachometer



75RM404

- (2) Brightest setting
- (3) Initial setting
- (4) Dimmest setting

BEFORE DRIVING



75RM266

To increase the brightness of the instrument panel lights, turn the brightness control knob (5) clockwise.

To reduce the brightness of the instrument panel lights, turn the brightness control knob (5) counterclockwise.

NOTE:

- If you do not turn the brightness control knob within several seconds of activating the brightness control, the brightness control display will be canceled automatically.
- When you reconnect the lead-acid battery, the brightness of the instrument cluster lights will be reinitialized. Readjust the brightness according to your preference.

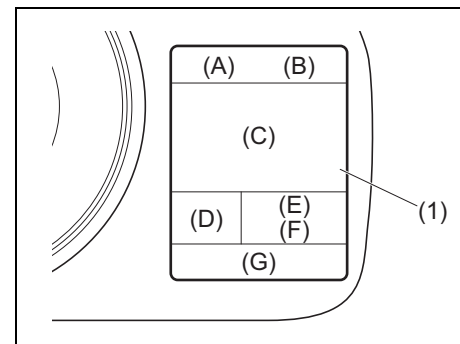
NOTE:

If you select the maximum brightness level when the position lights or headlights are on, the following functions will be canceled.

- The function which automatically dims the brightness of instrument cluster lights
- The function which operates with the brightness control, except maximum brightness level

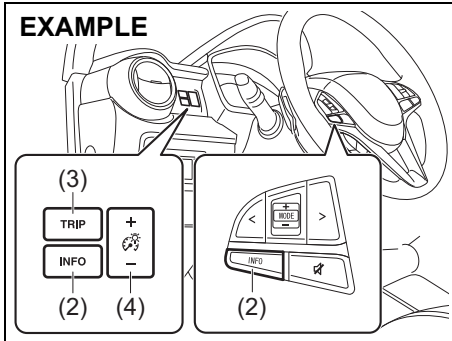
Information display (instrument cluster with tachometer)

The information display is shown when the ignition switch is in "ON" position or the ignition mode is ON.



75RM042

(1) Information display



75RM183

- (2) Information switch
- (3) Trip meter switch
- (4) Brightness control switch

The information display shows the following information.

Display (A)

Clock

Display (B)

Thermometer

Display (C)

Warning and indicator messages /
 Fuel consumption / Driving range /
 Average speed / Driving time /
 Total idling stop time (if equipped) /
 Total idling fuel saved (if equipped) /
 Energy flow indicator (if equipped)

Display (D)

Selector position (for CVT models) /
 Gear position (for CVT models with manual mode) /
 Manual mode indicator /
 S-mode indicator /
 Gearshift indicator (if equipped)

Display (E)

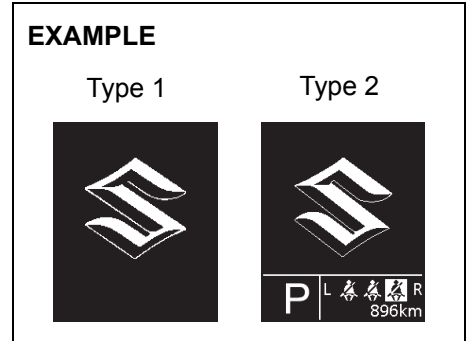
Trip meter (Type 1)
 Rear passenger's seat belt reminder (if equipped) (Type 2)

Display (F)

Odo meter (Type 1)
 Trip meter / Odometer (Type 2)

Display (G)

Fuel gauge



73S02020

When the ignition switch is turned to "ON" position or the engine switch is pressed to change the ignition mode to ON, the message shown in the above illustration will appear on the display for several seconds. Some warning and indicator messages may appear on the display when the ignition switch is in "ACC" or "LOCK" position, or the ignition mode is ACC or LOCK (OFF).

BEFORE DRIVING

Clock

The display (A) shows the time.

To set the clock, follow “Setting mode” instructions in this section.

Thermometer

The display (B) shows the thermometer.

The thermometer indicates the outside temperature.



75RM210

If the outside temperature nears freezing, the message shown in the above illustration will appear on the display.

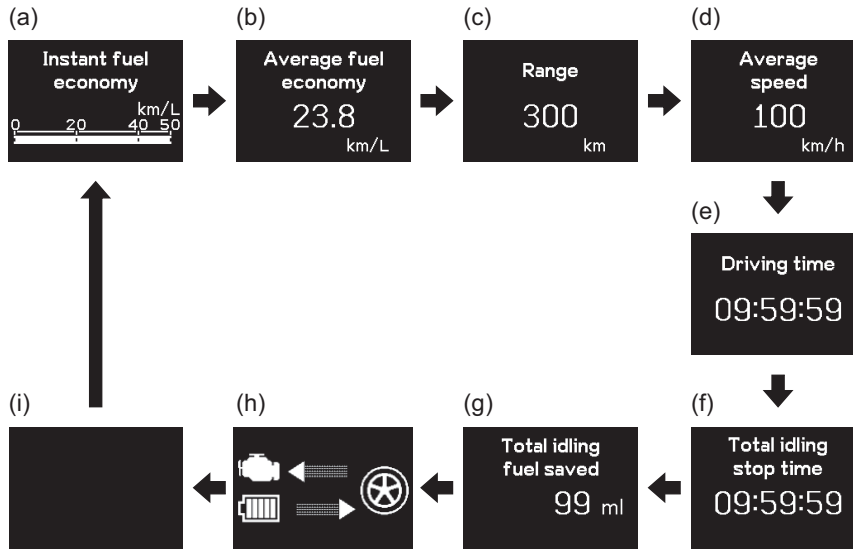
NOTE:

The outside temperature indication is not the actual outside temperature when driving at low speed, or when stopped.

Fuel consumption / Driving range / Average speed / Driving time / Total idling stop time (if equipped) / Total idling fuel saved (if equipped) / Energy flow indicator (if equipped)

When there are no warning or indicator messages on the display (C), you can select one of the following indications to appear on the display: instantaneous fuel consumption, average fuel consumption, driving range, average speed, driving time, total idling stop time, total idling fuel saved, energy flow indicator or no indication.

EXAMPLE



- (a) Instantaneous fuel consumption
- (b) Average fuel consumption
- (c) Driving range
- (d) Average speed
- (e) Driving time
- (f) Total idling stop time (if equipped)
- (g) Total idling fuel saved (if equipped)
- (h) Energy flow indicator (if equipped)
- (i) No indication

To switch the display indication, push the information switch (2) quickly.

NOTE:

The value of fuel consumption, driving range, average speed and total idling fuel saved shown on the display are affected by the following conditions;

- road condition
- surrounding traffic condition
- driving condition
- vehicle condition
- a malfunction which causes the malfunction indicator light to come on or blink

75RM405

BEFORE DRIVING

Instantaneous fuel consumption

The display shows instantaneous fuel consumption with a bar graph only when the vehicle is moving.

NOTE:

- The display does not show the bar graph unless the vehicle is moving.
- Depending on the vehicle's specification, the fuel consumption units of initial setting are indicated as L/100km, km/L, MPG (UK) or MPG (US).
- The indicated maximum value of instantaneous fuel consumption is one of the followings. No more than the maximum value will be indicated on the display even if the actual instantaneous fuel consumption is higher.
 - For L/100km setting: 30
 - For km/L setting: 50
 - For MPG (UK) setting: 80
 - For MPG (US) setting: 60
- The indication on the display may be delayed if fuel consumption is greatly affected by driving conditions.
- The display shows estimated values. Indications may not be the same as actual values.

Average fuel consumption

If you selected average fuel consumption the last time you drove the vehicle, the display shows the last value of average fuel consumption from previous driving when the ignition switch is turned to "ON" position or the engine switch is pressed to change the ignition mode to ON. Unless you reset the value of average fuel consumption, the display indicates the value of average fuel consumption based on the average fuel consumption during previous driving.

NOTE:

When you reconnect the negative (-) terminal to the lead-acid battery, the value of average fuel consumption will be shown after driving for a period of time.

You can select when the value of average fuel consumption is reset from among the following three methods;

- Reset after refuel: the value of average fuel consumption will be reset automatically by refueling.
- Reset with trip meter A: the value of average fuel consumption will be reset automatically by resetting trip meter A.
- Reset manually: the value of average fuel consumption will be reset by pushing and holding the information switch (2) when the display indicates the average fuel consumption.

To change when the value of average fuel consumption is reset, refer to "Setting mode" in this section.

NOTE:

If you add only a small amount of fuel when you select "Reset after refuel", the average fuel consumption value may not be reset.

Driving range

If you selected driving range the last time you drove the vehicle, the display indicates "---" for a few seconds and then indicates the current driving range when the ignition switch is turned to "ON" position or the engine switch is pressed to change the ignition mode to ON.

The driving range shown in the display is the approximate distance you can drive until the fuel gauge indicates "E", based on current driving conditions.

When the low fuel warning light comes on, the display "---" will appear.

If the low fuel warning light comes on, fill the fuel tank immediately regardless of the value of driving range shown in the display.

As the driving range after refueling is calculated based on the most recent driving condition, the value is different each time you refuel.

NOTE:

- *If you refuel when the ignition switch is in “ON” position or the ignition mode is ON, the driving range may not indicate the correct value.*
- *When you reconnect the negative (–) terminal to the lead-acid battery, the value of driving range will be shown after driving for a period of time.*

Average Speed

If you selected average speed the last time you drove the vehicle, the display indicates the last value of average speed from previous driving when the ignition switch is turned to “ON” position or the engine switch is pressed to change the ignition mode to ON. Unless you reset the value of average speed, the display indicates the value of average speed which includes average speed during previous driving.

To reset the value of average speed, push and hold the information switch (2) for a while when the display indicates an average speed. The display shows “---” and then indicates a new average speed after driving for a short time.

NOTE:

When you reconnect the negative (–) terminal to the lead-acid battery, the value of average speed will be shown after driving for a period of time.

Driving time

The display shows the total amount of driving time since the indication was reset.

- To reset the driving time to zero, push and hold the information switch (2) for a while when the display shows the driving time.

NOTE:

When you reset the indication or reconnect the negative (–) terminal to the lead-acid battery, the driving time will be shown after driving for a while.

Total idling stop time (if equipped)

The display shows the total length (in hours, minutes and seconds) of engine stopping time by ENG A-STOP system since the indication was reset.

- To reset the total idling stop time to zero, push and hold the information switch (2) for a while when the display shows the total idling stop time.

NOTE:

- *The indicated maximum value of the total idling stop time is 99:59:59.*
- *When you reconnect the negative (–) terminal to the lead-acid battery, the value of the total idling stop time will be reset.*

Total idling fuel saved (if equipped)

The display shows the total amount (in milliliters) of fuel conservation by ENG A-STOP system since the indication was reset.

- To reset the total idling fuel saved to zero, push and hold the information switch (2) for a while when the display shows the total idling fuel saved.

NOTE:

When you reconnect the negative (–) terminal to the lead-acid battery, the value of the total idling fuel saved will be reset.

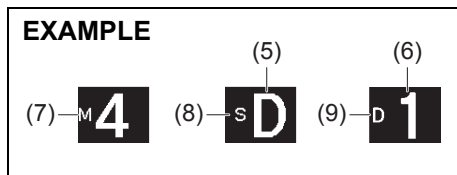
Energy flow indicator (if equipped)

Refer to “ENG A-STOP system (engine auto stop start system)” in the “OPERATING YOUR VEHICLE” section.

BEFORE DRIVING

Selector position / Gear position / Manual mode indicator / S-mode indicator / Gearshift indicator (if equipped)

The display (D) shows some of the following indications.



- (5) Selector position
- (6) Gear position
- (7) Manual mode indicator
- (8) S-mode indicator
- (9) Drive mode indicator

Selector position (for CVT models) / Gear position (for CVT models with manual mode)

The display shows the transmission selector position (5) or the gear position (6).

- For CVT models with manual mode;
 - When the manual mode is not in use, the display shows the selector position.
 - When using the manual mode, the display shows the current gear position.

Manual mode indicator (for CVT models with manual mode)

When you are using the manual mode, the display shows the manual mode indicator (7).

S-mode indicator (for CVT models with switch of S-mode)

If you push the switch of S-mode on the gearshift lever, the display shows the S-mode indicator (8).

Gearshift indicator (if equipped)

Refer to “Gearshift indicator” in the “OPERATING YOUR VEHICLE” section.

Trip meter (Type 1)

The display (E) shows the trip meter.

The trip meter can be used to measure the distance traveled on short trips or between fuel stops.

You can use trip meter A or trip meter B independently.

To reset the trip meter, push and hold the trip meter switch (3) until the display shows 0.0.

NOTE:

The indicated maximum value of the trip meter is 9999.9. When you run past the maximum value, the indicated value will return to 0.0.

WARNING

**If you attempt to adjust the display while driving, you could lose control of the vehicle.
Do not attempt to adjust the display while driving.**

Odometer (Type 1)

The display (F) shows the odometer.

The odometer records the total distance the vehicle has been driven.

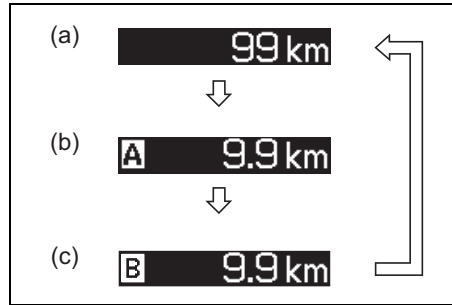
NOTICE

Keep track of your odometer reading and check the maintenance schedule regularly for required services. Increased wear or damage to certain parts can result from failure to perform required services at the proper mileage intervals.

Trip meter / Odometer (Type 2)

The display (F) shows one of the following indications; trip meter A, trip meter B or odometer.

To switch the display indication (F), push the trip meter switch (3).



80SM02040



Push the trip meter switch (3).

- (a) Odometer
- (b) Trip meter A
- (c) Trip meter B

▲ WARNING

If you attempt to adjust the display while driving, you could lose control of the vehicle. Do not attempt to adjust the display while driving.

Trip meter

The trip meter can be used to measure the distance traveled on short trips or between fuel stops.

You can use the trip meter A or trip meter B independently.

To reset the trip meter, push and hold the trip meter switch (3) until the display shows 0.0.

NOTE:

The indicated maximum value of the trip meter is 9999.9. When you run past the maximum value, the indicated value will return to 0.0.

Odometer

The odometer records the total distance the vehicle has been driven.

NOTICE

Keep track of your odometer reading and check the maintenance schedule regularly for required services. Increased wear or damage to certain parts can result from failure to perform required services at the proper mileage intervals.

BEFORE DRIVING

Rear passenger's seat belt reminder (if equipped) (Type 2)

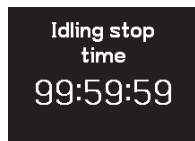
Refer to "Seat belts and child restraint systems" in the "BEFORE DRIVING" section for details.

Fuel gauge

The display (G) shows the fuel gauge. Refer to "Fuel gauge" in this section.

Idling stop time (if equipped)

EXAMPLE



75RM320

When the engine is stopped automatically by ENG A-STOP system, the display (C) will show the length (in hours, minutes and seconds) of engine stopping time. After the engine is restarted, the display will be switched to original indication.

Eco-driving display

When you turn the ignition switch to "LOCK" position or press the engine switch to change the ignition mode to LOCK (OFF), the following information appears for several seconds on the information display.

EXAMPLE



75RM406

(10) Idling stop time

The display shows the length (in hours, minutes and seconds) of engine stopping time by ENG A-STOP system for one drive.

(11) Idling stop fuel saved

The display shows the amount (in milliliters) of fuel conservation by the ENG A-STOP system for one drive.

NOTE:

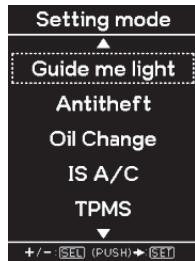
- You can change the setting so that the Eco-driving display will not be displayed. For details on the setting mode, refer to "Setting mode" in this section.
- The total amount of fuel conservation by the ENG A-STOP system and total idling stop time can be displayed in the information display when the ignition switch is in "ON" position or the ignition mode is ON.

Setting mode

When the ignition switch is in “ON” position or the ignition mode is ON and the vehicle is stationary, you can enter the setting mode of the information display by pushing and holding the information switch (2) for more than 3 seconds.

- To select the setting that you want to change, push the brightness control switch (4) up or down.
- To change the setting, push the information switch (2).
- To exit the setting mode, select “Back” and push the information switch (2).

EXAMPLE



75RM321

NOTE:

The currently selected setting item is surrounded by a frame.

NOTE:

- If you push and hold the information switch (2) to enter the setting mode when the display (C) shows average fuel consumption, average speed, driving time, total idling stop time or total idling fuel saved, the value will be reset simultaneously. If you do not want to reset the value, push the information switch quickly to switch the indication of the display.
- If you turn the ignition switch, press the engine switch or start to move the vehicle when the display is in the setting mode, the setting mode will be canceled automatically.

Distance unit

(Odometer / trip meter distance unit setting)

You can change the units in which odometer / trip meter / driving range distance is displayed.

Fuel economy

(Fuel consumption unit setting)

You can change the units that fuel consumption is displayed in.

Language

You can change the language of the information display.

Fuel reset

(Average fuel consumption reset setting)

You can change when the value of average fuel consumption is reset.

Temperature (Temperature unit setting)

You can change the units that temperature is displayed in.

NOTE:

When you change the units that temperature is displayed in, the temperature display units of the automatic heating and air conditioning system (if equipped) will be changed automatically.

Clock setting (Adjusting the clock)

- To change the hour indication, push the brightness control switch (4) up or down repeatedly when the hour indication appears as reversed color. To change the hour indication quickly, push and hold the brightness control switch (4). To set the hour indication, push the information switch (2) and the minute indication appears as reversed color.
- To change the minute indication, push the brightness control switch (4) up or down repeatedly when the minute indication appears as reversed color. To change the minute indication quickly, push and hold the brightness control switch (4). To set the minute indication, push the information switch (2).

You can also switch the time indication between 12-hour and 24-hour format.

BEFORE DRIVING

Door lock (Door unlock setting) (if equipped)

You can choose either once or twice operation(s) to unlock all doors (including the tailgate) by turning the key, or operating the keyless entry system transmitter, keyless push start system remote controller or request switch.

If your vehicle is equipped with the keyless push start system, you can also turn off or on the buzzer sound when the door(s) is (are) locked or unlocked.

Lights (Light setting) Lane change (Turn signal lights setting)

The turn signal and its indicator can be set whether they flash three times even if you return the turn signal control lever immediately after moving it.

Guide me light setting (Light setting) (if equipped)

You can change the lighting time of “To car” function or “To home” function.

Antitheft (Theft deterrent alarm system setting) (if equipped)

You can switch the theft deterrent alarm system from the enabled state to the disabled state, and vice versa.

The state of the theft deterrent alarm system is shown on the information display as follows:

- Mode A: Disabled state
- Mode D: Enabled state

NOTE:

For the theft deterrent alarm system of other than Australia, Israel, Germany and Taiwan models, refer to “Theft deterrent alarm system” in this section.

Oil change (Oil life monitoring system reset setting) (if equipped)

The oil life monitoring system must be reset after changing the engine oil and oil filter.

IS A/C (ENG A-STOP system setting) (if equipped)

- When using the automatic heating and air conditioning system (if equipped), you can select one of the following engine auto stop settings.
 - Standard
 - Economy
 - Comfort
- When “Economy” is selected, engine auto stop condition is eased, compared with “Standard”. Engine auto stop condition will occur more frequently, the stop time will be longer, leading to reduction of fuel consumption.
- When “Comfort” is selected, engine auto stop condition becomes severe, compared with “Standard”. Engine auto stop condition will occur less frequently, the stop time will be shorter, leading to more comfortable cabin condition by air conditioner.

TPMS

(Tyre pressure monitoring system setting) (if equipped)

- You can check the current tyre pressure on the information display.
- You can set one of the initial values of tyre pressure below that are indicated on the tyre information label.
 - Comfort Mode
 - Load Mode

Refer to “Tyre pressure monitoring system (TPMS)” in the “OPERATING YOUR VEHICLE” section for details.

Display item (if equipped) (Idling stop setting)

You can switch whether the information display shows the engine stopping time by the ENG A-STOP system.

(Idling disp setting)

You can switch whether the information display shows the Eco-driving display when the ignition switch is turned to “LOCK” position or the ignition mode is changed to LOCK (OFF).

(Idling warn setting)

You can switch whether the information display shows the warning and indicator messages related on the ENG A-STOP system.

(Regen disp setting)

You can choose that the deceleration energy regenerating indicator light comes on or does not come on.

**Default
(Initialization setting)**

If you select "YES" and push the information switch (2), all settings will be reinitialized.

Warning and indicator messages

The display shows warning and indicator messages to let you know about certain vehicle problems.

A tone may also sound to alert you.

If warning and indicator messages appear on the display, follow the messages.

Master warning indicator light

80P0382

When the display shows warning and indicator messages, the master warning indicator light may also blink.

NOTE:







- *When the problem that causes a message to appear is corrected, the message will disappear.*
- *If a message is displayed, and other problems requiring a message occur, the message for each of the problems will be alternately displayed about every 5 seconds.*

- *When you push and hold the information switch (2) for about 2 seconds while a message is displayed, the message will disappear temporarily. If the problem that caused the message is not corrected, the message will appear again after 5 seconds.*



BEFORE DRIVING

Warning and indicator messages

All models

Warning and indicator message	Master warning indicator light	Sound	Cause and remedy
 75RM407	Blinks (only while vehicle is in motion) 	Beep (one time from interior buzzer; only while vehicle is in motion)	A door or tailgate is not properly closed. The display shows the opened door or tailgate. If in driving, stop the vehicle in a safe place and close the door or tailgate properly. (#1)
 75RM268	Blinks 	Continuous beep (from interior buzzer)	The parking brake is not released. Stop the vehicle in a safe place and release the parking brake.
 61MM0A172	Blinks 	Continuous beep (from interior buzzer)	The headlights and/or the position lights are left on. Turn them off.





(#1) This message will disappear for a while even if the problem that caused the message to appear is not corrected.

Warning and indicator message	Master warning indicator light	Sound	Cause and remedy
 <p>75RM213</p>	Off	Beep (one time from interior buzzer)	Fuel is low. Refill it immediately. (#1)
 <p>75RM210</p>	Off	Off	The road may be icy. Drive very carefully. (#1)







(#1) This message will disappear for a while even if the problem that caused the message to appear is not corrected.

BEFORE DRIVING

Vehicle with keyless push start system





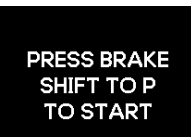
Warning and indicator message	Master warning indicator light	Sound	Cause and remedy
 <p>61MM0A163</p>	Off	Off	This message is displayed when the ACC position is selected as the ignition mode. (#1)
 <p>75RM214</p>	Off	Off	The brake pedal (for CVT models) or the clutch pedal (for manual transmission models) is depressed. Press the engine switch to start the engine.
 <p>61MM0A168</p>	Blinks 	Beep (one time from interior buzzer)	There is a problem with the steering lock system. Have your vehicle inspected by a SUZUKI dealer.

(#1) This message will disappear for a while even if the problem that caused the message to appear is not corrected.


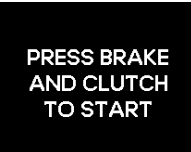
Warning and indicator message	Master warning indicator light	Sound	Cause and remedy
 <p>75RM215</p>	<p>Blinks</p> 	<p>Beep (one time from interior buzzer)</p>	<p>There is a problem with the immobilizer/keyless push start system. Also, the vehicle battery voltage may be decreased. When the message is displayed even if you start the engine with normal voltage of the vehicle battery, have your vehicle inspected by a SUZUKI dealer.</p>
 <p>75RM216</p>  <p>75RM217</p>	<p>Blinks</p> 	<p>By certain conditions, some kind of sound you will hear from interior and/or exterior of the vehicle.</p>	<p>The remote controller may be outside the vehicle or its battery may have become discharged. Locate the remote controller or touch the engine switch with the remote controller. If the message still appears, replace the remote controller battery.</p>
 <p>75RM218</p>	<p>Off</p>	<p>Off</p>	<p>This message is displayed when the ON position is selected as the ignition mode. (#1)</p>

(#1) This message will disappear for a while even if the problem that caused the message to appear is not corrected.

BEFORE DRIVING



Warning and indicator message	Master warning indicator light	Sound	Cause and remedy
 <p>TRN. STEERING WHEEL TO RELEASE LOCK</p> <p>75RM219</p>	<p>Blinks</p> 	<p>Beep (one time from interior buzzer)</p>	<p>The steering lock is not disengaged. While lightly turning the steering wheel in both directions, press the engine switch again.</p>
 <p>KEY FOB LOW BATTERY</p> <p>75RM220</p>	<p>Blinks</p> 	<p>Beep (one time from interior buzzer)</p>	<p>The remote controller battery is about to become flat. Replace the battery. (#1)</p>
<p>CVT</p>  <p>PRESS BRAKE SHIFT TO P TO START</p> <p>61MM0A165</p>	<p>Off</p>	<p>Off</p>	<p>This message is shown because either of the following conditions occurs:</p> <ul style="list-style-type: none"> • The engine switch is pressed with the gear-shift lever in a position other than “P” or “N” and depressing the brake pedal. • The engine switch is pressed without depressing the brake pedal. <p>Try again as instructed by the message.</p>

(#1) This message will disappear for a while even if the problem that caused the message to appear is not corrected.



Warning and indicator message	Master warning indicator light	Sound	Cause and remedy
CVT  75RM221	Off	Off	The engine switch is pressed with the gearshift lever in a position other than "P". Try again as instructed by the message.
Manual transmission  61MM0A166	Off	Off	The engine switch is pressed without depressing the brake and clutch pedals. Try again as instructed by the message.

BEFORE DRIVING



CVT model

Warning and indicator message	Master warning indicator light	Sound	Cause and remedy
 <p>75RM222</p>	Blinks 	Beep (one time from interior buzzer)	The CVT fluid temperature becomes too high. Stop the vehicle in a safe place and let the fluid cool down.

Vehicle with oil change request light


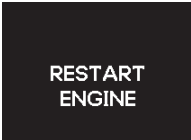

Warning and indicator message	Master warning indicator light	Sound	Cause and remedy
 <p>61MM0A224</p>	Blinks 	Beep (one time from interior buzzer)	Change the engine oil and oil filter immediately. The oil life monitoring system must be reset after changing the engine oil and oil filter. Refer to "Oil change request light" in this section.


Vehicle with ESP® system

Warning and indicator message	Master warning indicator light	Sound	Cause and remedy
<div data-bbox="153 255 346 396" style="background-color: black; color: white; padding: 10px; text-align: center;"> ESP SERVICE ESP SYSTEM </div> <div data-bbox="336 404 410 418">75RM223</div>	Blinks 	Beep (one time from interior buzzer)	There may be a problem with ESP® system. Have your vehicle inspected by a SUZUKI dealer.
Hill hold control system <div data-bbox="153 471 346 612" style="background-color: black; color: white; padding: 10px; text-align: center;"> ESP HILL HOLD DISABLE </div> <div data-bbox="336 620 410 635">75RM224</div>	Blinks 	Beep (one time from interior buzzer)	There may be a problem with hill hold control system. Have your vehicle inspected by a SUZUKI dealer.

BEFORE DRIVING

Vehicle with ENG A-STOP system

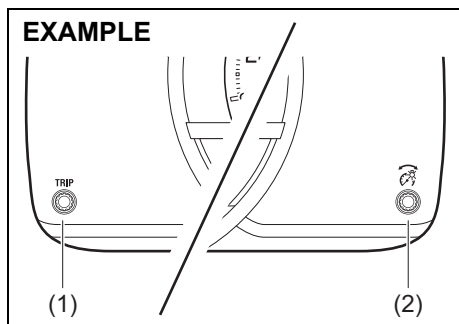
Warning and indicator message	Master warning indicator light	Sound	Cause and remedy
 <p>75RM269</p>	Off	Off	The engine does not stop automatically by the ENG A-STOP system, because any of the auto stop conditions is not met. Refer to “ENG A-STOP system (engine auto stop start system)” in the “OPERATING YOUR VEHICLE” section for details.
 <p>75RM270</p>	Off	By certain conditions, some kind of sound you will hear from interior of the vehicle.	The engine stalls. Restart the engine by turning the ignition switch or pressing the engine switch. Refer to “ENG A-STOP system (engine auto stop start system)” in the “OPERATING YOUR VEHICLE” section for details.
 <p>75RM271</p>	Off	Beep (one time from interior buzzer)	The engine will restart soon, because the battery continues to be discharged, some time has passed since the engine was stopped automatically or the temperature of the air from the air conditioning outlets changes greatly. Refer to “ENG A-STOP system (engine auto stop start system)” in the “OPERATING YOUR VEHICLE” section for details. Also, the duration time of the ENG A-STOP system, depending on using the air conditioning system can be set. Refer to “Setting mode” in this section.

Warning and indicator message	Master warning indicator light	Sound	Cause and remedy
 <p data-bbox="336 367 408 381">75RM272</p>	Off	By certain conditions, some kind of sound you will hear from interior of the vehicle.	The engine restarts automatically, because the brake booster vacuum pressure is low, the driver's door is opened, the driver's seat belt is unfastened, the defroster is turned on or other reason. Refer to "ENG A-STOP system (engine auto stop start system)" in the "OPERATING YOUR VEHICLE" section for details.

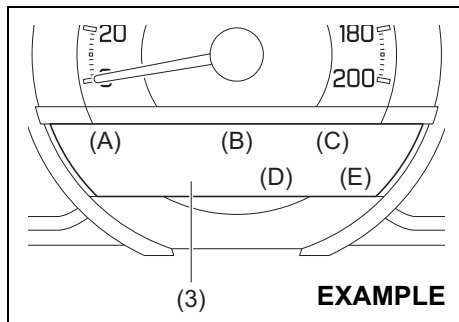
NOTE:
If your vehicle is equipped with the dual camera brake support, the information display also indicates warning and indicator messages related to the system. For information on these messages, refer to "Dual camera brake support" in the "OPERATING YOUR VEHICLE" section.

BEFORE DRIVING

Information display (instrument cluster without tachometer)



- (1) Trip meter selector knob
- (2) Indicator selector knob



- (3) Information display

When the ignition switch is in “ON” position, the information display shows the following information.

Display (A)

Fuel gauge

Display (B)

Selector position (for CVT models) /
S-mode indicator /
Gearshift indicator (if equipped)

Display (C)

Trip meter / Odometer / Fuel consumption /
Driving range / Oil indicator (if equipped)

Display (D)

Thermometer

Display (E)

Clock

NOTE:

If your vehicle is equipped with the dual camera brake support, the information display also shows indicators related to the system. For information on these indications, refer to “Dual camera brake support” in the “OPERATING YOUR VEHICLE” section.

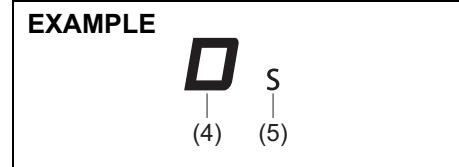
Fuel gauge

The display (A) shows the fuel gauge.

Refer to “Fuel gauge” in this section.

Selector position / Gearshift indicator

The display (B) shows some of the following indications.



- (4) Selector position
- (5) S-mode indicator

Selector position (for CVT models)

The display shows the transmission selector position (4).

S-mode indicator

(for CVT models with switch of S-mode)

If you push the switch of S-mode on the gearshift lever, the display shows the S-mode indicator (5).

For details on how to use the transmission, refer to “Using transmission” in the “OPERATING YOUR VEHICLE” section.

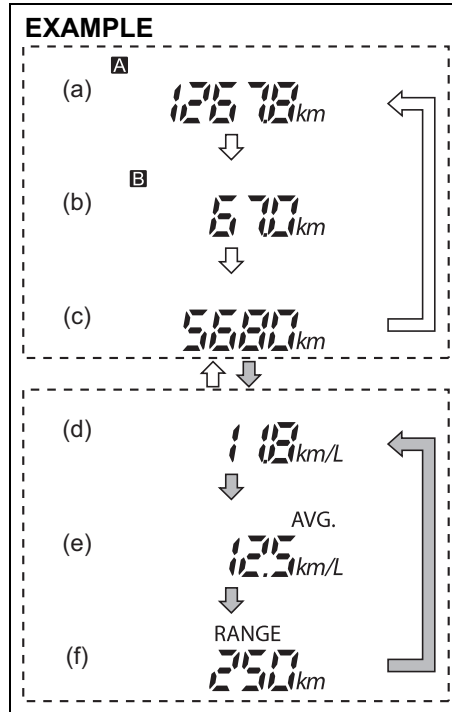
Gearshift indicator (if equipped)

Refer to “Gearshift indicator” in the “OPERATING YOUR VEHICLE” section.

**Trip meter / Odometer /
Fuel consumption / Driving range /
Oil indicator**

The display (C) shows one of the following indications, trip meter A, trip meter B, odometer, instantaneous fuel consumption, average fuel consumption, driving range or oil indicator.

To switch the indication of the display (C), push the trip meter selector knob (1) or the indicator selector knob (2) quickly.



75RM368

↑ ↓	Push the trip meter selector knob (1).
↑ ↓	Push the indicator selector knob (2).

- (a) Trip meter A
- (b) Trip meter B
- (c) Odometer
- (d) Instantaneous fuel consumption
- (e) Average fuel consumption
- (f) Driving range

⚠ WARNING

**If you attempt to adjust the display while driving, you could lose control of the vehicle.
Do not attempt to adjust the display while driving.**

NOTE:

- Indications will change when you push and release a knob.
- The display shows estimated values. Indications may not be the same as actual values.

BEFORE DRIVING

Trip meter

The trip meter can be used to measure the distance traveled on short trips or between fuel stops.

You can use the trip meter A or trip meter B independently.

To reset the trip meter, push and hold the trip meter selector knob (1) until the display shows 0.0.

NOTE:

The indicated maximum value of the trip meter is 9999.9. When you run past the maximum value, the indicated value will return to 0.0.

Odometer

The odometer records the total distance the vehicle has been driven.

NOTICE

Keep track of your odometer reading and check the maintenance schedule regularly for required services. Increased wear or damage to certain parts can result from failure to perform required services at the proper mileage intervals.

Instantaneous fuel consumption

The display shows the value of instantaneous fuel consumption only when the vehicle is moving.

NOTE:

- *The display does not show the value unless the vehicle is moving.*
- *Depending on the vehicle's specification, the fuel consumption units of initial setting are indicated as L/100km, km/L or MPG.*
- *The indicated maximum value of instantaneous fuel consumption is one of the followings. No more than the maximum value will be indicated on the display even if the actual instantaneous fuel consumption is higher.*
 - *For L/100km setting: 30*
 - *For km/L setting: 50*
 - *For MPG setting: 99.9*
- *The indication on the display may be delayed if fuel consumption is greatly affected by driving conditions.*
- *The display shows estimated values. Indications may not be the same as actual values.*
- *For "L/100km" or "km/L" setting, you can change the units that instantaneous fuel consumption is displayed in. Refer to "Average fuel consumption" in this section.*

Average fuel consumption

If you selected average fuel consumption the last time you drove the vehicle, the display shows the last value of average fuel consumption from previous driving when the ignition switch is turned to "ON" position. Unless you reset the value of average fuel consumption, the display indicates the value of average fuel consumption which includes average fuel consumption during previous driving.

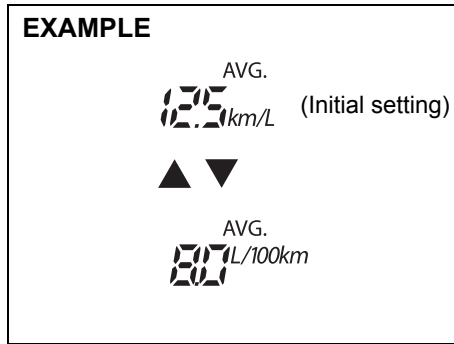
To reset the average fuel consumption to zero, push and hold the indicator selector knob (2) for a while when the display shows the average fuel consumption.

NOTE:

When you reset the indication or reconnect the negative (–) terminal to the lead-acid battery, the value of average fuel consumption will be shown after driving for a while.

(For “L/100km” or “km/L” setting)

To change the unit of average fuel consumption, while pushing and holding the trip meter selector knob (1), turn the indicator selector knob (2).



68PH02207

NOTE:

- When you change the units that average fuel consumption is displayed in, the instantaneous fuel consumption units will be changed automatically.
- When you reconnect the negative (-) terminal to the lead-acid battery, the unit of the average fuel consumption will be reinitialized. Change the unit again to your preference.

Driving range

If you selected driving range the last time you drove the vehicle, the display indicates “---” for a few seconds and then indicates the current driving range when the ignition switch is turned to “ON” position.

The driving range shown in the display is the approximate distance you can drive until the fuel gauge indicates “E”, based on current driving conditions.

When the low fuel warning light comes on, the display “---” will appear.

If the low fuel warning light comes on, fill the fuel tank immediately regardless of the value of driving range shown in the display.

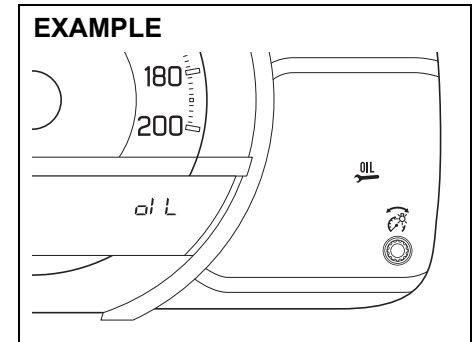
As the driving range after refueling is calculated based on the most recent driving condition, the value is different each time you refuel.

NOTE:

- If you refuel when the ignition switch is in “ON” position, the driving range may not indicate the correct value.
- When you reconnect the negative (-) terminal to the lead-acid battery, the value of driving range will be shown after driving for a while.

Oil indicator (if equipped)

If either of odometer reading or time is reached to the value which is set by the oil life monitoring system, the oil change request light comes on when the ignition switch is in “ON” position. The “OIL” indication is shown on the display (C) to tell you it is necessary to change the engine oil and oil filter.



75RM347

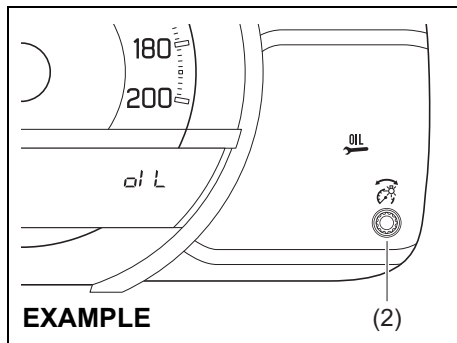
For instructions on how to change the engine oil and filter, refer to “Changing engine oil and filter” in the “INSPECTION AND MAINTENANCE” section or consult your SUZUKI dealer for advice on appropriate procedure of engine oil and oil filter maintenance.

BEFORE DRIVING

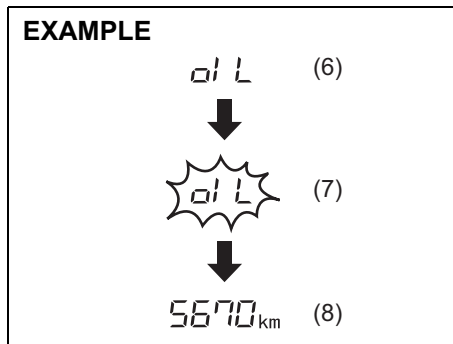
To monitor the next oil and oil filter change timing properly, it is necessary to reset the odometer reading and the time for the light. The light will go out after the reset. For the resetting procedure, it is recommended to consult your SUZUKI dealer. If you reset it by yourself, follow the procedure described below:

To reset the engine oil life monitoring system:

- 1) Turn the ignition switch to "ON" position.
- 2) Push and hold the indicator selector knob (2) for a while when the display shows the oil change request light and oil indicator.



- 3) Push and hold the indicator selector knob (2), display will change as follows. When the oil life monitoring system is reset, the oil change request light and oil indicator will go out and then the display indicates odometer.



- (6) "OIL" appears
- (7) "OIL" blinks
- (8) Odometer

Thermometer

The display (D) shows the thermometer. The thermometer indicates the outside temperature.



If the outside temperature drops to freezing, the mark (g) will appear on the display.

NOTE:

- The outside temperature indication is not the actual outside temperature when driving at low speed, or when stopped.
- If there is something wrong with the thermometer, or just after the ignition switch is turned to "ON" position, the display may not indicate the outside temperature.

When the display (C) shows the driving range, you can change the unit of temperature.

To change the unit of temperature, while pushing and holding the trip meter selector knob (1), turn the indicator selector knob (2).

EXAMPLE



76MHOA043

NOTE:

When you reconnect the negative (-) terminal to the lead-acid battery, the unit of temperature will be reinitialized. Change the unit again to your preference.

Clock

The display (E) shows the time.

To change the time indication:

- 1) Push the trip meter selector knob (1) and the indicator selector knob (2) together.
- 2) To change the hour indication, turn the indicator selector knob (2) left or right repeatedly when the hour indication blinks. To change the hour indication quickly, turn and hold the indicator selector knob (2). To set the hour indication, push the indicator selector knob (2) and the minute indication will blink.
- 3) To change the minute indication, turn the indicator selector knob (2) left or right repeatedly when the minute indication blinks. To change the minute indication quickly, turn and hold the indicator selector knob (2). To set the minute indication, push the indicator selector knob (2).

NOTE:

When you reconnect the negative (-) terminal to the lead-acid battery, the clock indication will be reinitialized. Change the indication again to your preference.

⚠ WARNING



**If you attempt to adjust the display while driving, you could lose control of the vehicle.
Do not attempt to adjust the display while driving.**

BEFORE DRIVING

Setting mode

In the setting mode, you can set up the following functions.

Indication	Functions
 CLoCK	Time indication of clock "CL"
door d1	Central door locking system "d1"
LIght L2	Additional flashes of the turn signal "L2"
SECUry S1	Theft deterrent alarm system "S1" (if equipped)
oil	Oil change request light reset setting "oil-rst" (if equipped)
tPMS	Tyre pressure monitoring system setting (if equipped)
dEFAUL dE-on	Initialization setting "dE-on"
End	Exit the setting mode "End"

	Turn the indicator selector knob (2).
	Push the indicator selector knob (2).

NOTE:
Depending on vehicle's specifications, some items may not be displayed.

How to operate the setting mode:

- 1) When the ignition switch is in "ON" position and the vehicle is stationary, push the trip meter selector knob (1) to switch the information display indication (C) to the odometer.
- 2) Push and hold the indicator selector knob (2) until the display shows "CLoEH".
- 3) Turn and/or push the indicator selector knob (2) to select a function that you want to set up according to the above chart.
- 4) Turn and/or push the indicator selector knob (2) to register settings of the following functions.

Time indication of clock "CL"

- CL-12h: 12-hour format (default setting)
- CL-24h: 24-hour format

Central door locking system "d1"

- d1-SL1: Unlock all doors by turning the key once
- d1-SL2: Unlock all doors by turning the key twice (default setting)

Additional flashes of the turn signal "L2"

- L2-SL1: Turn signal flashes three times after the turn signal lever is returned (default setting)
- L2-SL2: Disable the additional flashes of turn signal

Theft deterrent alarm system "S1" (if equipped)

- S1-SL1: Enable the theft deterrent alarm system (default setting)
- S1-SL2: Disable the theft deterrent alarm system

Oil change request light reset setting "oL-rSt" (if equipped)

- oL-rSt: Reset of the oil life monitoring system

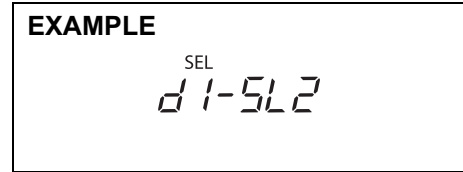
Tyre pressure monitoring system setting (if equipped)

- UnLRdn: Unladen Mode (default setting)
- LRdEn: Laden Mode

Refer to "Tyre pressure monitoring system (TPMS)" in the "OPERATING YOUR VEHICLE" section for details.

Initialization setting "dE-on"

- dE-on: Initialize all settings



75RM229

NOTE:

- As shown in the above illustration, "SEL" indicates on the display of currently setting item.
- To go back to the higher level display during operation, turn the indicator selector knob (2) to display "bREH" or "bARC" and then push the indicator selector knob (2).

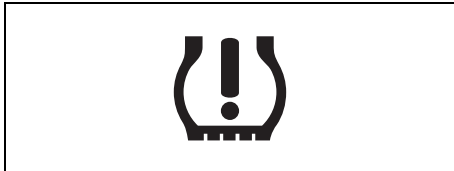
- 5) To exit the setting mode, switch the display to show "End" and then push the indicator selector knob (2).

Warning and indicator lights

NOTE:

If warning and indicator lights blink or come on, the corresponding messages may be shown on the information display.

Low tyre pressure warning light (if equipped)



As an added fuel efficiency feature, your vehicle is equipped with a tyre pressure monitoring system (TPMS) that uses a low tyre pressure warning light to inform you when one or more of your tyres is significantly under-inflated.

When the ignition switch is turned to “ON” position or the engine switch is pressed to change the ignition mode to ON, this light comes on briefly so you can check that the light is working.

When the low tyre pressure warning light is lit, one or more of your tyres is significantly under-inflated. You should stop and check your tyres as soon as possible, and inflate

them to the proper pressure as indicated on the vehicle’s tyre information placard. Driving on a significantly under-inflated tyre causes the tyre to overheat and can lead to tyre failure. Under-inflation also reduces fuel efficiency and tyre tread life, and may affect the vehicle’s handling and stopping ability. Each tyre, including the spare, should be checked at least once a month when cold and set to the recommended pressure as specified in the vehicle placard.

The low tyre pressure warning light is also used to inform you of a TPMS malfunction. When the system detects a malfunction, this light will blink for about 75 seconds and then remain continuously illuminated. This sequence will be repeated after the ignition switch is turned to “ON” position or the engine switch is pressed to change the ignition mode to ON as long as the malfunction exists.

NOTE:

The low tyre pressure warning light may not come on immediately if you have a sudden loss of air pressure.

▲ WARNING

Failure to take corrective action when the low tyre pressure warning light is not working or when it comes on and blinks while driving can lead to an accident.

If the low tyre pressure warning light does not come on for 2 seconds after the ignition switch is turned to “ON” position or the engine switch is pressed to change the ignition mode to ON, or comes on and blinks while driving, have your vehicle inspected by a SUZUKI dealer. Even if the light turns off after blinking, indicating that the monitoring system has recovered, you should still have the system checked by your authorized SUZUKI dealer.

▲ WARNING

The load-carrying capacity of your tyres is reduced at lower inflation pressures. If your tyres are even moderately under-inflated, the load on the tyres may exceed the load-carrying capacity of the tyres, which could lead to tyre failure. The low tyre pressure warning light will not alert you to this condition, because it only comes on when one or more of your tyres becomes significantly under-inflated.

Check and adjust your tyre pressure at least once a month. Refer to “Tyres” in the “INSPECTION AND MAINTENANCE” section.

▲ WARNING

Continuing to drive with the low tyre pressure warning light on can lead to an accident, resulting in severe injury or death.

If the low tyre pressure warning light comes on and stays on, reduce your speed and avoid abrupt steering and braking. Be aware that driving on a significantly under-inflated tyre can cause the tyre to overheat and can lead to tyre failure, and may affect steering control and brake effectiveness. Stop the vehicle in a safe place as soon as possible and check your tyres.

- If you have a flat tyre, replace it with the spare tyre (if equipped). Refer to “Jacking instructions” in the “EMERGENCY SERVICE” section for the tyre replacement method. Also refer to “Replacing tyres and/or wheels” for instructions on how to restore normal operation of the TPMS after you have had a flat tyre.

(Continued)

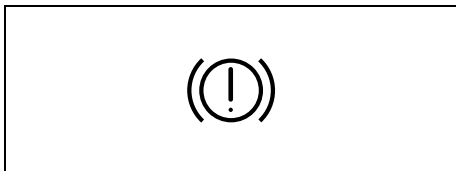
▲ WARNING

(Continued)

- If your vehicle is equipped with a flat tyre repair kit instead of a spare tyre, refer to “Flat tyre repair kit (if equipped)” in the “EMERGENCY SERVICE” section for instructions on how to perform an emergency repair of a flat tyre.
- If one or more of your tyres is under-inflated, adjust the inflation pressure of all tyres to the recommended inflation pressure as soon as possible.

Refer to “Tyre pressure monitoring system (TPMS)” in the “OPERATING YOUR VEHICLE” section for additional details on the tyre pressure monitoring system. Refer to “Tyres” in the “INSPECTION AND MAINTENANCE” section for information on maintaining proper tyre pressure.

Brake system warning light



82K170

Three different types of operations exist depending on the vehicle's specification.

- The light comes on briefly when the ignition switch is turned to "ON" position or the engine switch is pressed to change the ignition mode to ON.
- The light comes on when the parking brake is engaged with the ignition switch in "ON" position or the ignition mode is ON.
- The light comes on under either or both of above two conditions.

The light also comes on when the fluid in the brake fluid reservoir falls below the specified level.

The light should go out after starting the engine and fully releasing the parking brake, if the fluid level in the brake fluid reservoir is adequate.

The light also comes on together with the ABS warning light when the rear brake force control function (proportioning valve function) of the ABS system fails.

If the brake system warning light comes on while you are driving the vehicle, it may mean that there is something wrong with the vehicle's brake system.

If this happens:

- 1) Pull off the road and stop carefully.
- 2) Test the brakes by carefully starting and stopping the vehicle on the shoulder of the road.
- 3) If you determine that it is safe, drive the vehicle cautiously at low speed to the nearest dealer for repairs or tow the vehicle to the nearest dealer for repairs.

NOTE:

Remember that stopping distance may be longer, you may have to push harder on the pedal, and the pedal may go down farther than normal.

WARNING

If any of the following conditions occur, you should immediately ask your SUZUKI dealer to inspect the brake system.

- If the brake system warning light does not go out after the engine has been started and the parking brake has been fully released.
- If the brake system warning light does not come on when the ignition switch is turned to "ON" position or the engine switch is pressed to change the ignition mode to ON.
- If the brake system warning light comes on at any time during vehicle operation.

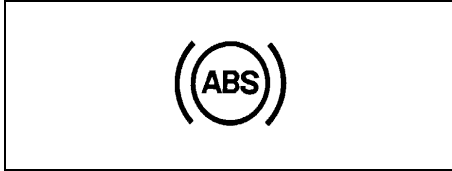
NOTE:

Because the brake system is self-adjusting, the fluid level will drop as the brake pads become worn. Replenishing the brake fluid reservoir is considered normal periodic maintenance.

NOTE:

*Parking brake reminder buzzer
A buzzer sounds intermittently to remind you to release the parking brake if you start the vehicle without releasing the parking brake. Check that the parking brake is fully released and the brake system warning light turns off.*

Anti-lock brake system (ABS) warning light



65D529

When the ignition switch is turned to “ON” position or the engine switch is pressed to change the ignition mode to ON, this light comes on briefly so you can check that the light is working.

If the light stays on or comes on when driving, there may be something wrong with the ABS.

If this happens:

- 1) Pull off the road and stop carefully.
- 2) Turn the ignition switch to “LOCK” or change the ignition mode to LOCK (OFF) by pressing the engine switch and then start the engine again.

If the warning light comes on briefly and then turns off, the system is normal. If the warning light still stays on, something is wrong with the system.

If the light and the brake system warning light stay on or come on simultaneously when driving, your ABS system is equipped with the rear brake force control function (proportioning valve function) and

there may be something wrong with both the rear brake force control function and the anti-lock function of the ABS system.

If one of the above occurs, have the system inspected by your SUZUKI dealer. If the ABS becomes inoperative, the brake system will function as an ordinary brake system that does not have this ABS system.

For details of ABS system, refer to “Anti-lock brake system (ABS)” in the “OPERATING YOUR VEHICLE” section.

ESP® warning light (if equipped)



52KM133

ESP® is a registered trademark of Daimler AG.

This light blinks 5 times per second when one of the following systems is activated.

- Stability control system
- Traction control system
- Hill descent control system (if equipped)
- Grip control system (if equipped)

If this light blinks, drive carefully.

When the ignition switch is turned to “ON” position or the engine switch is pressed to change the ignition mode to ON, the light comes on briefly so you can check that the light is working. If the light stays on or comes on when driving, there may be something wrong with the ESP® systems (other than ABS). You should have the system inspected by a SUZUKI dealer.

For details of the ESP® systems, refer to “Electronic stability program (ESP®)” in the “OPERATING YOUR VEHICLE” section.

WARNING

The ESP® systems cannot prevent accidents. Always drive carefully.

BEFORE DRIVING

ESP[®] OFF indicator light (if equipped)



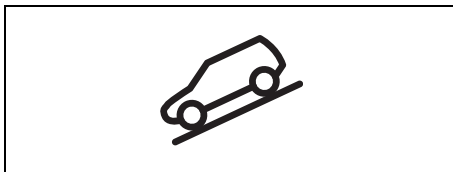
57L30045

When the ignition switch is turned to “ON” position or the engine switch is pressed to change the ignition mode to ON, this light comes on briefly so you can check that the light is working.

When the ESP[®] OFF switch is pushed to turn off the ESP[®] systems (other than ABS), the ESP[®] OFF indicator light comes on and stays on.

For details of the ESP[®] systems, refer to “Electronic stability program (ESP[®])” in the “OPERATING YOUR VEHICLE” section.

Hill descent control indicator light (if equipped)



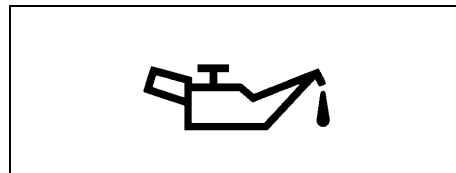
79K050

When the ignition switch is turned to “ON” position or the engine switch is pressed to change the ignition mode to ON, this light comes on briefly so you can check that the light is working.

When you push the hill descent control switch and the hill descent control operating conditions are fulfilled, the hill descent control indicator comes on. If the hill descent control indicator blinks, the hill descent control will not be activated.

For details of the hill descent control system, refer to “Hill descent control system” in the “OPERATING YOUR VEHICLE” section.

Oil pressure light



50G051

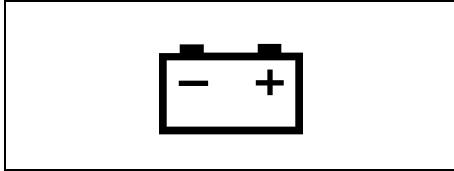
When the ignition switch is turned to “ON” position or the engine switch is pressed to change the ignition mode to ON, this light comes on. When the engine is started, the light goes out. The light will come on and remain on if there is insufficient oil pressure. If the light comes on when driving, pull off the road as soon as you can and stop the engine.

Check the oil level and add oil if necessary. If there is enough oil, the lubrication system should be inspected by your SUZUKI dealer before you drive the vehicle again.

NOTICE

- If you operate the engine with this light on, severe engine damage can result.
- Do not rely on the oil pressure light to indicate the need to add oil. Periodically check the engine oil level.

Charging light



50G052

When the ignition switch is turned to “ON” position or the engine switch is pressed to change the ignition mode to ON, this light comes on. When the engine is started, the light goes out. The light will come on and remain on if there is something wrong with the battery charging system. If the light comes on when the engine is running, the charging system should be inspected immediately by your SUZUKI dealer.

Driver’s seat belt reminder light / Front passenger’s seat belt reminder light (if equipped)



60G049

When the driver or front passenger does not buckle his or her seat belt, this light will come on and/or blink.

For details of the seat belt reminder, refer to “Seat belts and child restraint systems” in this section.

AIRBAG light



63J030

When the ignition switch is turned to “ON” position or the engine switch is pressed to change the ignition mode to ON, this light blinks or comes on for several seconds so you can check that the light is working.

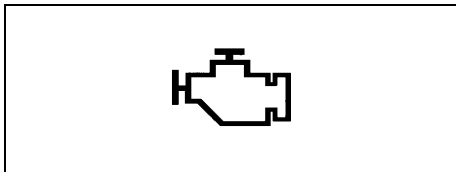
The light will come on and stay on if there is a problem in the airbag system or the seat belt pretensioner system.

WARNING

If AIRBAG light does not blink or come on briefly when the ignition switch is turned to “ON” position or the engine switch is pressed to change the ignition mode to ON, stays on for more than 10 seconds, or comes on while driving, the airbag system or the seat belt pretensioner system may not work properly, which could result in serious injury in the event of a collision. Have both systems inspected by a SUZUKI dealer.

BEFORE DRIVING

Malfunction indicator light



65D530

Your vehicle has a computer-controlled emission control system. A malfunction indicator light is provided on the instrument cluster to indicate when it is necessary to have the emission control system serviced. When the ignition switch is turned to “ON” position or the engine switch is pressed to change the ignition mode to ON, this light comes on. When the engine is started, the light goes out.

If the malfunction indicator light comes on or blinks when the engine is running, there is a damage in the emission control system.

Bring the vehicle to your SUZUKI dealer to have the damage fixed.

NOTICE

Continuing to drive the vehicle when the malfunction indicator light is coming on or blinking can cause permanent damage to the vehicle’s emission control system and can affect fuel economy and driveability.

(For K12D engine models)

Also, if this light comes on when the engine is running, there is a problem with the continuously variable transmission system or engine cooling system. Ask your SUZUKI dealer to have the system inspected.

(For K12C or K12M engine models)

Also, if this light comes on when the engine is running, there is a problem with the continuously variable transmission system. Ask your SUZUKI dealer to have the system inspected.

Transmission warning light (if equipped)



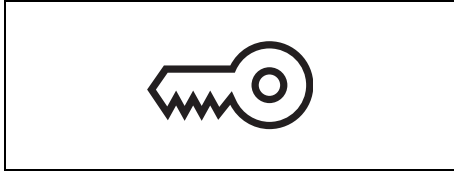
80J219

When the ignition switch is turned to “ON” position or the engine switch is pressed to change the ignition mode to ON, this light comes on for several seconds so you can check that the light is working.

If this light comes on when the engine is running, there is a problem with the continuously variable transmission system. Ask your SUZUKI dealer to have the system inspected.

If the CVT fluid temperature becomes too high, this light will blink. Stop the vehicle in a safe place and let the fluid cool down.

Immobilizer/keyless push start system warning light

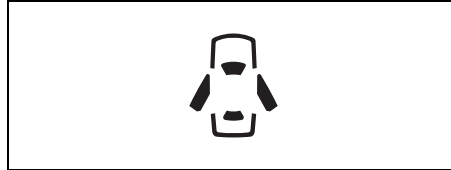


80JM122

When the ignition switch is turned to “ON” position or the engine switch is pressed to change the ignition mode to ON, this light comes on briefly so you can check that the light is working.

If this light stays on, there is a problem with the system or the steering lock cannot be released. If this happens, press the engine switch, turning the steering wheel to the right or left. If this light still stays on, ask your SUZUKI dealer to have the system inspected.

Open door warning light



54G391

This light remains on until all doors (including the tailgate) are completely closed.

If any door (including the tailgate) is open when the vehicle is moving, a ding sounds to remind you to close all doors completely.

Low fuel warning light



54G343

If this light comes on, fill the fuel tank immediately.

When this light comes on, a ding sounds once to remind you to fill the fuel. If you do not fill the fuel, a ding sounds every time when the ignition switch is turned to “ON” position or the engine switch is pressed to change the ignition mode to ON.

NOTE:

The activation point of this light varies depending on road conditions (for example, slope or curve) and driving conditions because of fuel movement in the tank.

BEFORE DRIVING

Electric power steering light



79J039

When the ignition switch is turned to “ON” position or the engine switch is pressed to change the ignition mode to ON, this light comes on. When the engine is started, the light goes out.

If this light comes on while driving, the power steering system may not work properly. Have the system inspected by your SUZUKI dealer.

NOTE:

The following steering wheel operations may gradually take more effort while parking or driving at a very low speed. This is not a malfunction of the steering system, but the power steering control system limits the power assist in order to prevent it from overheating.

- *The steering wheel is operated very often.*
- *The steering wheel is kept in a fully turned position for a long while.*

When the power steering control system cools down, the power steering system will return to its original condition.

However, repeating these operations could cause damage to the power steering system.

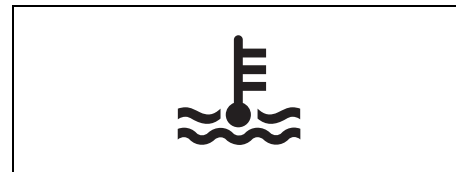
NOTE:

If the power steering system does not work properly, it will require greater effort to steer, but you still will be able to steer.

NOTE:

If the steering is operated, you may hear noise caused by electric power steering operation. This is normal and indicates that the power steering system works properly.

High engine coolant temperature warning light (red color)



54G344

When the ignition switch is turned to “ON” position or the engine switch is pressed to change the ignition mode to ON, this light comes on briefly so you can check that the light is working. If this light blinks while driving, it means the engine is running hot. Avoid driving conditions that may lead to actual overheating. If the light stays on without blinking, then the engine is overheating. Follow the instructions in “Engine trouble: Overheating” in the “EMERGENCY SERVICE” section.

NOTICE

Continuing to drive the vehicle when engine overheating is indicated can result in severe engine damage.

Dual camera brake support indicator light (if equipped)



54P000255

When the ignition switch is turned to “ON” position or the engine switch is pressed to change the ignition mode to ON, this light comes on briefly so you can check that the light is working.

When the dual camera brake support is activated, this light blinks rapidly.

If this light comes on, there is a problem with the dual camera brake support. Bring the vehicle to your SUZUKI dealer to have the problem corrected.

For details, refer to “Dual camera brake support” in the “OPERATING YOUR VEHICLE” section.

Dual camera brake support OFF indicator light (if equipped)



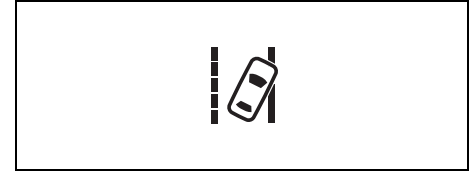
62R0316

When the ignition switch is turned to “ON” position or the engine switch is pressed to change the ignition mode to ON, this light comes on briefly so you can check that the light is working.

When the dual camera brake support OFF switch is pushed to turn off the dual camera brake support, this light comes on.

For details, refer to “Dual camera brake support” in the “OPERATING YOUR VEHICLE” section.

Lane departure warning indicator light (if equipped)



81M31080

When the ignition switch is turned to “ON” position or the engine switch is pressed to change the ignition mode to ON, this light comes on briefly so you can check that the light is working.

When the lane departure warning is activated, this light blinks.

If this light comes on, there is a problem with the dual camera brake support. Bring the vehicle to your SUZUKI dealer to have the problem corrected.

For details, refer to “Dual camera brake support” in the “OPERATING YOUR VEHICLE” section.

BEFORE DRIVING

Lane departure warning OFF indicator light (if equipped)



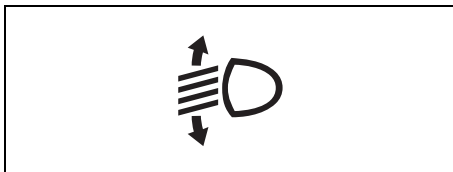
62R0317

When the ignition switch is turned to "ON" position or the engine switch is pressed to change the ignition mode to ON, this light comes on briefly so you can check that the light is working.

When the lane departure warning OFF switch is pushed to turn off the lane departure warning, this light comes on.

For details, refer to "Dual camera brake support" in the "OPERATING YOUR VEHICLE" section.

Automatic headlight leveling system warning light (if equipped)



64J046

When the ignition switch is turned to "ON" position or the engine switch is pressed to change the ignition mode to ON, this light comes on briefly so you can check that the light is working.

If this light comes on, there is a problem with the automatic headlight leveling system. Bring the vehicle to your SUZUKI dealer to have the problem corrected.

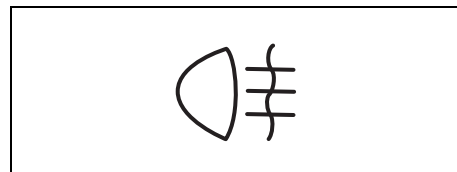
Front fog light indicator light (if equipped)



82PH045

The front fog light indicator light comes on when the front fog light operates.

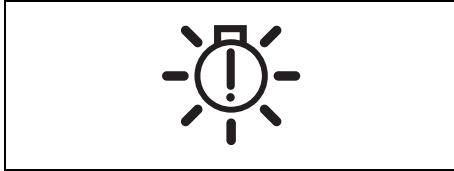
Rear fog light indicator light (if equipped)



54G491

The rear fog light indicator light comes on when the rear fog light operates.

**LED headlight warning light
(if equipped)**

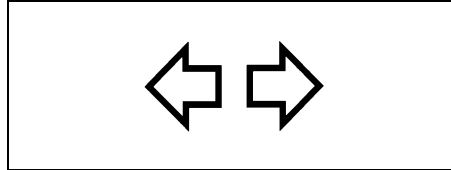


54P000234

When the ignition switch is turned to “ON” position or the engine switch is pressed to change the ignition mode to ON, this light comes on briefly so you can check that the light is working.

If this light comes on, there is a problem with the LED headlight. Park the vehicle in a safe place and consult your SUZUKI dealer to have the problem corrected.

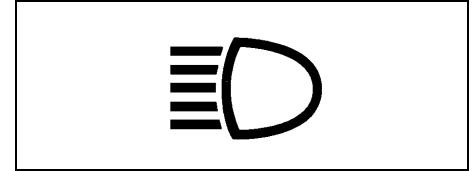
Turn signal indicators



50G055

When you turn on the left or right turn signal, the corresponding green arrow on the instrument cluster will flash along with the respective turn signal lights. When you turn on the hazard warning switch, both arrows will flash along with all of the turn signal lights.

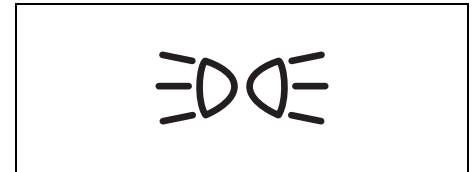
**Main beam (high beam) indicator
light**



50G056

This indicator comes on when headlight main beams (high beams) are turned on.

**Illumination indicator light
(if equipped)**

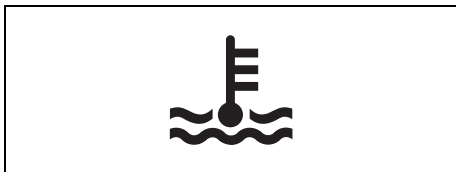


64J045

This indicator light comes on while the position lights, tail light and/or the headlights are on.

BEFORE DRIVING

Low engine coolant temperature light (blue color)



54G344

When the ignition switch is turned to “ON” position or the engine switch is pressed to change the ignition mode to ON, this light comes on and stays on if the engine is cold, and goes off after the engine warms up.

If this light still stays on after the engine warms up, there is a problem with the system.

Have your vehicle inspected by your SUZUKI dealer.

Oil change request light (if equipped)



79JM007

Your vehicle has the oil life monitoring system and the related oil change request light alerts you to change the engine oil and oil filter.

When this light comes on or blinks, change engine oil and oil filter immediately.

For details on how to change the engine oil and oil filter, refer to “Changing engine oil and filter” in the “INSPECTION AND MAINTENANCE” section.

This light comes on for several seconds when the ignition switch is turned to “ON” position or the engine switch is pressed to change the ignition mode to ON so you can check that light is working.

If either of odometer reading or time is reached to the value which is set by the system, this light comes on when the ignition switch or engine switch is in ON position. In addition, the message is shown on the information display to tell you it is necessary to change the engine oil and oil fil-

ter. When the engine oil and oil filter are changed, and the oil life monitoring system is reset, this light will go out.

Whenever the engine oil and oil filter are changed, the light must be reset to monitor the next oil change timing properly. The light will go out after the reset. For the resetting procedure, refer to “Information display” in this section.

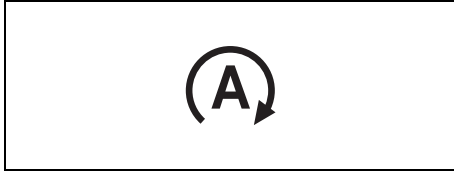
NOTICE

**Severe engine damage will result, if you keep operating the engine after this light comes on.
Change the engine oil and oil filter immediately when the light blinks.**

NOTE:

This light is used to facilitate the oil and oil filter change according to the maintenance schedule.

ENG A-STOP indicator light (if equipped)



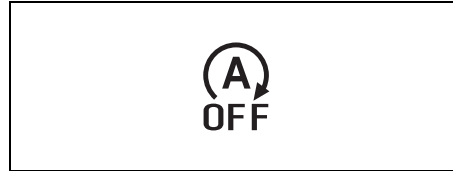
72M00032

When the ignition switch is turned to “ON” position or the engine switch is pressed to change the ignition mode to ON, this light comes on briefly so you can check that the light is working.

While driving, this light comes on if the conditions allowing the engine to be stopped automatically (standby conditions) are met, or just after stopping the engine automatically.

For details, refer to “ENG A-STOP system (engine auto stop start system)” in the “OPERATING YOUR VEHICLE” section.

ENG A-STOP OFF light (if equipped)



72M00159

When the ignition switch is turned to “ON” position or the engine switch is pressed to change the ignition mode to ON, this light comes on briefly so you can check that the light is working.

When you push the ENG A-STOP OFF switch, this light comes on.

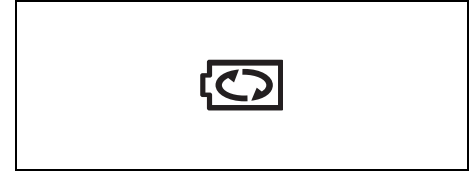
This light blinks in either of the following cases.

- There may be something wrong with the ENG A-STOP OFF system.
- It may be time to replace the battery.

You should have the system inspected by a SUZUKI dealer.

For details, refer to “ENG A-STOP system (engine auto stop start system)” in the “OPERATING YOUR VEHICLE” section.

Deceleration energy regenerating indicator light (if equipped)



72M00168

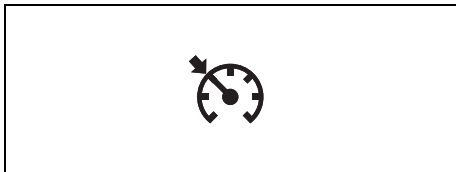
When the ignition switch is turned to “ON” position or the engine switch is pressed to change the ignition mode to ON, this light comes on briefly so you can check that the light is working.

When the deceleration energy regenerating function is working, this light comes on.

For details, refer to “ENG A-STOP system (engine auto stop start system)” in the “OPERATING YOUR VEHICLE” section.

BEFORE DRIVING

Cruise indicator light (if equipped)



81P40090

When the cruise control system is on, this light will be on.

“SET” indicator light (if equipped)



65D474

When a cruising speed of the cruise control is set, this light will be on.

Master warning indicator light (if equipped)



80P0382

When the ignition switch is turned to “ON” position or the engine switch is pressed to change the ignition mode to ON, this light comes on briefly so you can check that the light is working.

When the information display shows warning and indicator messages, this indicator light may also blink.

For details, refer to “Information display (instrument cluster with tachometer)” in this section.

Dual camera brake support warning light (if equipped)



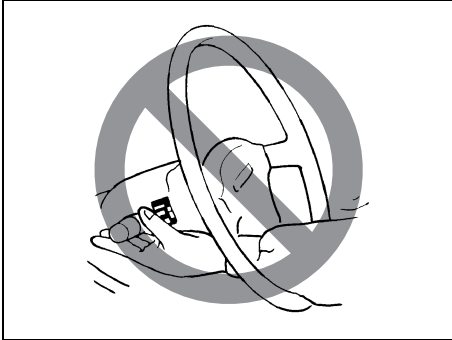
80P0382

When the ignition switch is turned to “ON” position, this light comes on briefly so you can check that the light is working.

If the function of the stereo camera stops temporarily or failure, this light will blink when the ignition switch is in “ON” position.

For details, refer to “Dual camera brake support” in the “OPERATING YOUR VEHICLE” section.

Lighting control lever



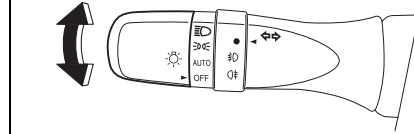
57L21128

▲ WARNING

To avoid possible injury, do not operate controls by reaching through the steering wheel.

Lighting operation

EXAMPLE



75RM149

To turn the lights on or off, twist the knob on the end of the lever. There are three positions:

OFF

All lights are off.

AUTO (if equipped)

Refer to “Auto-on headlight system” for details.

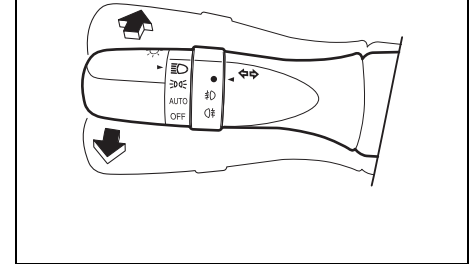


Front position lights, tail lights, license plate light and instrument lights are on, but headlights are off.



Front position lights, tail lights, license plate light, instrument lights and headlights are on.

EXAMPLE

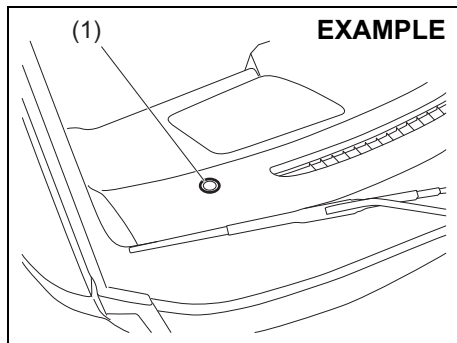


68PM00230

With the headlights on, push the lever forward to switch to the high beams (main beams) and pull the lever toward you to switch to the low beams. When the high beams (main beams) are on, a light on the instrument cluster will come on. To momentarily activate the high beams (main beams) as a passing signal, pull the lever slightly toward you and release it when you have completed the signal.

BEFORE DRIVING

Auto-on headlight system (if equipped)



75RM110

The Auto-on headlight system automatically turns on all lights that are operated by the lighting control lever on the steering column, when the following three conditions are all met.

Conditions for Auto-on headlight system operation:

- It is dark around the light sensor (1).
- The lighting control lever is in the "AUTO" position.
- The ignition switch is in the "ON" position or the ignition mode is ON.

This system is operated by the signal from the light sensor (1) on the passenger's side of the instrument panel. Do not cover the sensor (1). If you do, the system will not work correctly.

WARNING

It takes about 5 seconds for the light sensor to react to a change in lighting conditions. To help avoid an accident due to reduced visibility, turn on your headlights before driving into a tunnel, parking structure or the like.

NOTE:

This system does not react to all types of ambient light. As the sensor is infrared type, it will not work correctly with ambient lights that do not contain infrared rays.

Light reminder buzzer

The interior buzzer continuously beeps if you open the driver's door without turning off the headlights and position lights. This function is triggered under the following condition:

The headlights and/or position lights are on even after the ignition switch is turned off, or the engine switch is pressed to change the ignition mode to LOCK (OFF).

The buzzer stops sounding when you turn off the headlights and position lights.

NOTE:

A message is indicated on the information display in the instrument cluster with tachometer while the buzzer is sounding.

Daytime running light (D.R.L.) system (if equipped)

When the engine is started, this system turns on the daytime running lights.

Conditions for D.R.L. system operation:

- The engine is running.
- Headlights and front fog light (if equipped) are off.

NOTE:

Brightness of the daytime running lights is different from the brightness of the position lights, but it is not a malfunction.

Guide me light (if equipped)

“To home” function

This function turns on the front position lights and the headlights in the low beam setting for about 10 seconds after the ignition switch is turned to “LOCK” position or the engine switch is pressed to change the ignition mode to LOCK (OFF).

To set the function:

- 1) Turn the lighting switch to “AUTO” position
- 2) Turn the ignition switch to “LOCK” position or press the engine switch to change the ignition mode to LOCK (OFF).
- 3) Pull the lighting control lever toward you once and open the driver’s side door within 60 seconds. Or pull the lighting control lever toward you once while the driver’s side door is open.

To cancel the function:

Perform any of the following operations.

- Pull the lighting control lever toward you once.
- Insert the key into the ignition switch or change the ignition mode to ACC or ON by pressing the engine switch.
- Turn the lighting switch to any other position than “AUTO” position.

NOTE:

- *When the “To home” is functioning, the front fog lights, rear fog lights and the headlights (high beam) are not turned on.*
- *Lighting time of the “To home” function can be changed on the information display. Refer to “Information display” in this section.*

“To car” function

If UNLOCK button of the keyless push start system remote controller or the keyless entry system transmitter is pressed while the lighting switch is positioned in “AUTO”, the front position lights and the headlights in the low beam are turned on for 10 seconds.

This function will operate only when it is dark outside the vehicle.

To cancel the function:

Perform any of the following operations.

- Lock the doors by using the keyless push start system remote controller, the request switch or the keyless entry system transmitter, or insert the key into the driver’s door lock.
- Insert the key into the ignition switch or change the ignition mode to ACC or ON by pressing the engine switch.
- Turn the lighting switch to any other position than “AUTO” position.

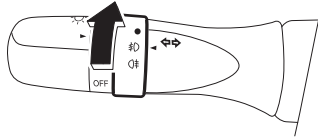
NOTE:

- *When the “To car” is functioning, the front fog lights, rear fog lights and the headlights (high beam) are not turned on.*
- *Lighting time of the “To car” function can be changed on the information display. Refer to “Information display” in this section.*

BEFORE DRIVING

Front fog light switch (if equipped)

EXAMPLE



68PM00232

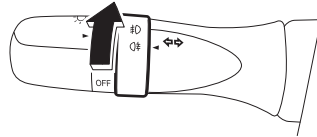
To turn the front fog light on, twist the knob as shown in the illustration with the position lights, tail lights and/or the headlights are on. When the front fog light is on, an indicator light on the instrument cluster will come on.

NOTE:

In some countries, the lighting operation may be different from the above description according to local regulations.

Rear fog light switch (if equipped)

EXAMPLE

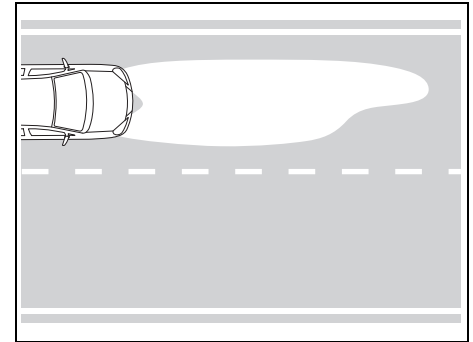


68PM00233

To turn the rear fog light on, twist the knob as shown in the illustration with the headlights on. When the rear fog light is on, an indicator light on the instrument cluster will come on.

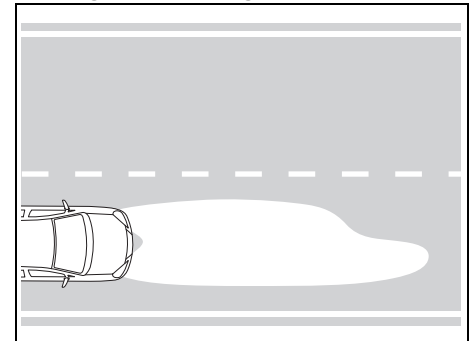
Adjusting headlight pattern

Headlight pattern, left hand traffic



61MM0A215

Headlight pattern, right hand traffic



61MM0A216

In case you drive your vehicle in the opposite-side-traffic countries, the headlight pattern must be adjusted to avoid dazzling oncoming motorists.

LED headlights (if equipped)

You do not need to adjust the light pattern.

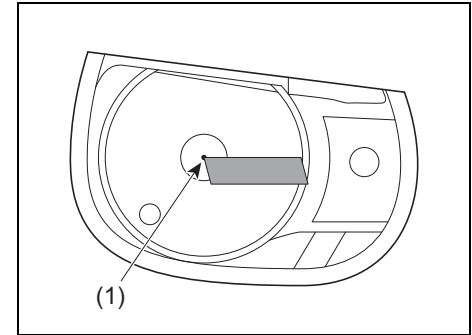
Halogen headlights (if equipped)

The light pattern may not be as good. You should readjust the light pattern by masking the headlight lens.

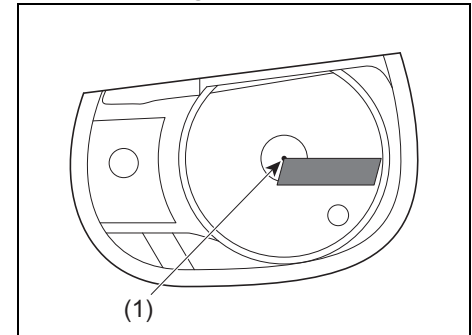
Left hand drive vehicle

To readjust the light pattern by masking the headlight lens;

- 1) Copy the templates, referring to “Templates for halogen headlights” later in this section.
- 2) Transfer the template to a self-adhesive waterproof material and cut it out.
- 3) Position the cutout tape horizontally aligning its upper-left corner with the center mark of the headlight lens as shown in the illustrations.

Right side headlight (A)

75RM421

Left side headlight (B)

75RM422

- (1) Center mark (inboard small projection on the inner surface of the lens)

Clean the lens surface and affix the cutout tape with care removing any bubbles.

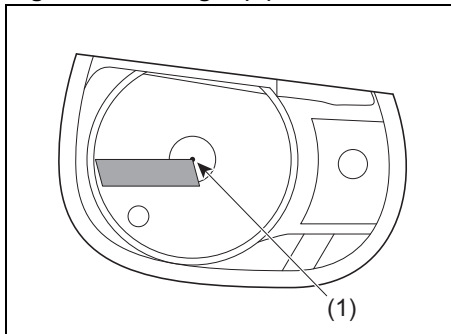
BEFORE DRIVING

Right hand drive vehicle

To readjust the light pattern by masking the headlight lens;

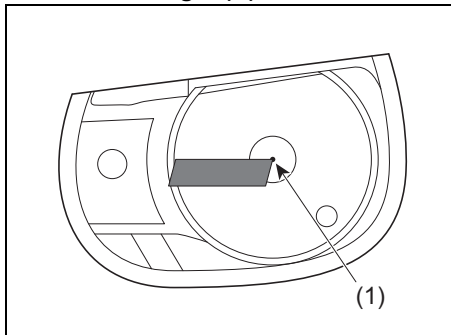
- 1) Copy the templates, referring to “Templates for halogen headlights” later in this section.
- 2) Transfer the template to a self-adhesive waterproof material and cut it out.
- 3) Position the cutout tape horizontally aligning its upper-right corner with the center mark of the headlight lens as shown in the illustrations.

Right side headlight (A)



75RM423

Left side headlight (B)

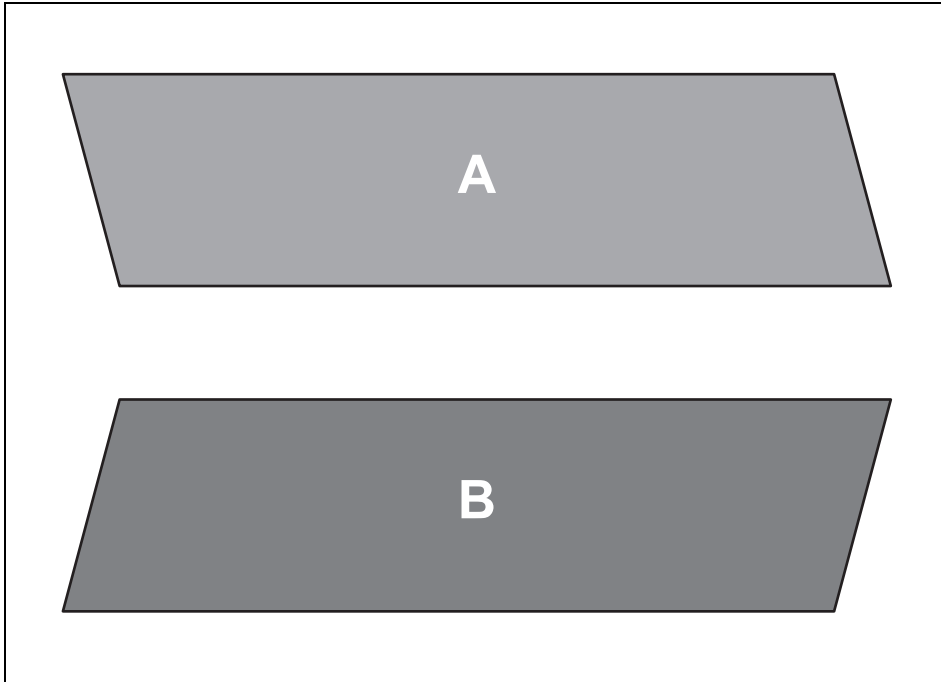


75RM424

- (1) Center mark (inboard small projection on the inner surface of the lens)

Clean the lens surface and affix the cutout tape with care removing any bubbles.

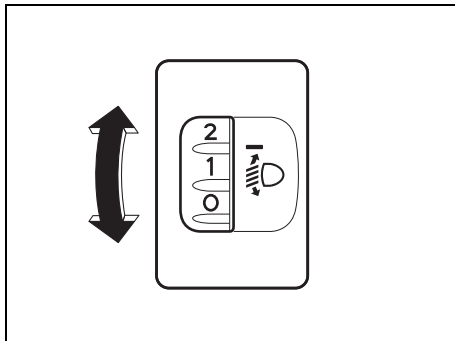
Templates for halogen headlights



75RM323

BEFORE DRIVING

Headlight leveling switch (if equipped)

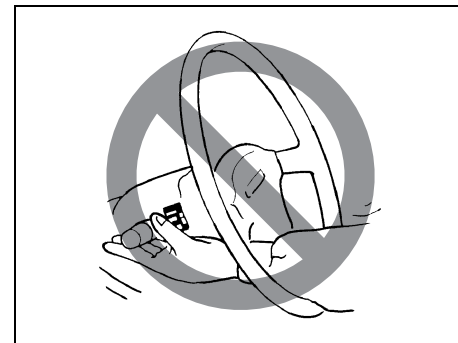


75RM008

Level the headlight beam according to the load condition of your vehicle by turning this switch. The following chart shows the appropriate switch position for different vehicle load conditions.

Vehicle Load Condition	Switch Position	
	2WD	4WD
Driver only	0	0
Driver + 1 passenger (in front seat)	0.5	0.5
Driver + 3 or 4 passengers, no cargo	2.0	1.5
Driver + 3 or 4 passengers, cargo added	3.0	2.0
Driver + full cargo	4.0	3.5

Turn signal control lever



57L21128

▲ WARNING

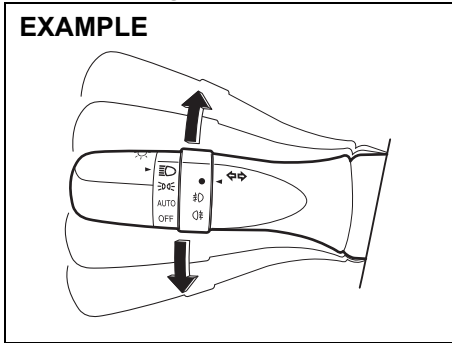
To avoid possible injury, do not operate controls by reaching through the steering wheel.

Turn signal operation

With the ignition switch in “ON” position or the ignition mode ON, move the lever upward or downward to activate the right or left turn signals.

Normal turn signal

EXAMPLE

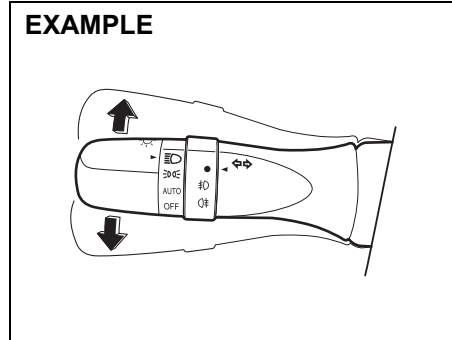


68PM00234

Move the lever all the way upward or downward to signal. When the turn is completed, the signal will cancel and the lever will return to its normal position.

Lane change signal

EXAMPLE



68PM00235

Move the lever partway upward or downward to turn right or left and hold the lever in the moved position.

- The turn signal and its indicator flash while the lever is held at the moved position.

The turn signal and its indicator flash 3 times even if you return the lever immediately after moving it.

NOTE:

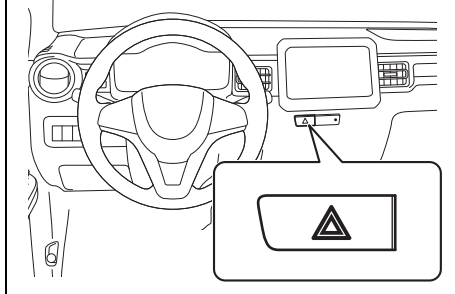
The turn signal and its indicator can be set whether they flash 3 times after the turn signal lever is returned via the information display. Refer to “Information display” in this section.

NOTE:

You can customize the setting for the number of flashing times of the turn signal and its indicator (1 to 4 times). Please ask a SUZUKI dealer for the customization.

Hazard warning switch

EXAMPLE

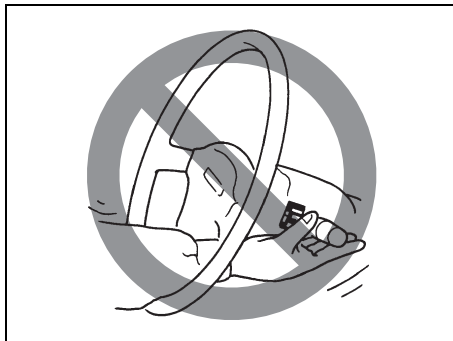


75RM324

Push in the hazard warning switch to activate the hazard warning lights. All turn signal lights and both turn signal indicators will flash simultaneously. To turn off the lights, push the switch again.

Use the hazard warning lights to warn other drivers of possible risk of traffic hazard when you park your vehicle in case of emergency.

Windshield wiper and washer lever



65D611

⚠ WARNING

To avoid possible injury, do not operate controls by reaching through the steering wheel.

Wiper and washer operation

When the ignition switch is in “ON” position or the ignition mode is ON, you can use the wiper/washer lever or switch (if equipped).

When the wipers are under heavy load such as covered by snow, the breaker will be activated and the wipers will stop operating to protect the wiper motor from overheating.

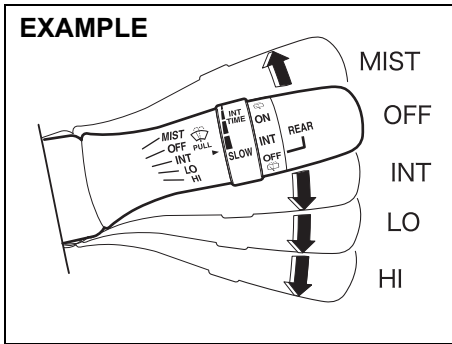
If the wiper stops during operation, do the following methods.

- 1) Stop the vehicle in a safe place, and turn the engine off.
- 2) Move the wiper lever and switch to “OFF” position.
- 3) Remove obstacles such as snow on the wipers.
- 4) After a while, when the temperature of the wiper motor becomes low enough, the breaker will be reset automatically and you will be able to use the wipers.

If you cannot use the wipers after a while, there may be another problem. Ask your SUZUKI dealer to have the wipers inspected.

Windshield wipers

EXAMPLE

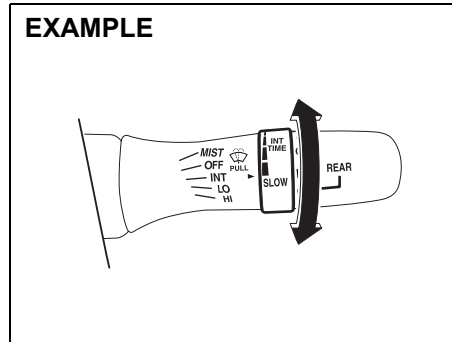


68PM00237

To turn the windshield wipers on, move the lever down to one of the three operating positions. In “INT” position, the wipers operate intermittently. The “INT” position is very convenient for driving in mist or light rain. In “LO” position, the wipers operate at a steady low speed. In “HI” position, the wipers operate at a steady high speed. To turn off the wipers, move the lever back to “OFF” position.

Move the lever up and hold it to “MIST” position, the windshield wipers will turn on continuously at low speed.

EXAMPLE

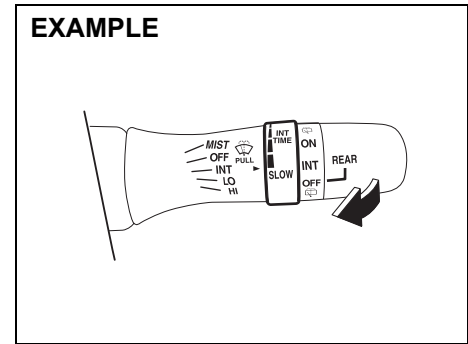


68PM00238

If the lever is equipped with “INT TIME” control, turn the control forward or backward to adjust the intermittent wiper operation to the desired interval.

Windshield washer

EXAMPLE



68PM00239

To spray windshield washer fluid, pull the lever toward you. The windshield wipers will automatically turn on at low speed if they are not already on and your vehicle is equipped with “INT” position.

NOTICE

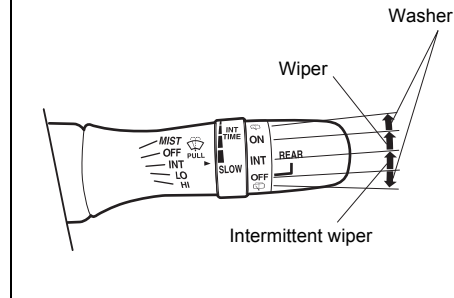
- To prevent windshield icing in cold weather, turn on the defroster to heat the windshield before and during windshield washer use.
- Do not use radiator antifreeze in the windshield washer reservoir. It can severely impair visibility when sprayed on the windshield, and can also damage your vehicle’s paint.

NOTICE

- To help prevent damage to the windshield wiper and washer system components, you should take the following precautions:
 - Do not continue to hold in the lever when there is no windshield washer fluid being sprayed or the washer motor can be damaged.
 - Do not attempt to remove dirt from a dry windshield with the wipers or you can damage the windshield and the wiper blades. Always wet the windshield with washer fluid before operating the wipers.
 - Clear ice or packed snow from the wiper blades before using the wipers.
 - Check the washer fluid level regularly. Check it often when the weather is bad.
 - Fill a reservoir 3/4 full with washer fluid to for its expansion, if temperature falls low enough to freeze the fluid.

Rear window wiper/washer switch

EXAMPLE



68PM00240

To turn the rear wiper on, twist the rear wiper switch on the end of the lever forward to “ON” position. If your vehicle is equipped with “INT” position, the rear wiper operates intermittently when you twist the switch forward to “INT” position. To turn the rear wiper off, twist the switch rearward to “OFF” position.

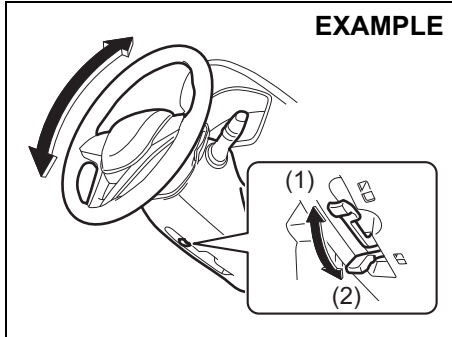
With the rear wiper in “OFF” position, twist the switch rearward and hold it there to spray window washer fluid.

With the rear wiper in “ON” position, turn the switch forward and hold it there to spray window washer fluid.

NOTICE

Clear ice or snow from the rear window and rear wiper blade before using the rear wiper. Accumulated ice or snow could prevent the wiper blade from moving, causing damage to the wiper motor.

Tilt steering lock lever



75RM044

- (1) LOCK
- (2) UNLOCK

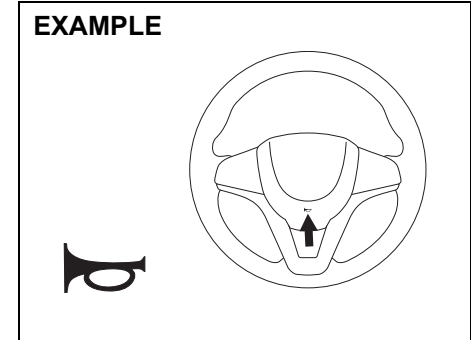
The lock lever is located under the steering column. To adjust the steering wheel height:

- 1) Push down the lock lever to unlock the steering column.
- 2) Adjust the steering wheel to the desired height and lock the steering column by pulling up the lock lever.
- 3) Try moving the steering wheel up and down to check that it is securely locked in position.

WARNING

Never attempt to adjust the steering wheel while the vehicle is moving or you could lose control of the vehicle.

Horn



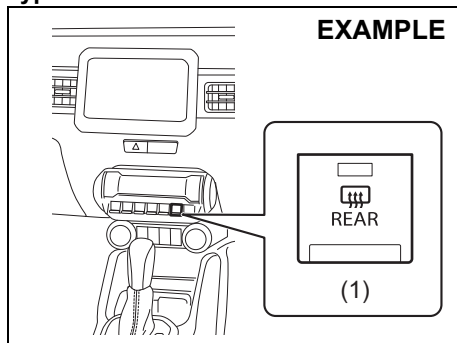
75RM045

Press the horn button of the steering wheel to sound the horn. The horn will sound with the ignition switch in any position or any ignition mode.

BEFORE DRIVING

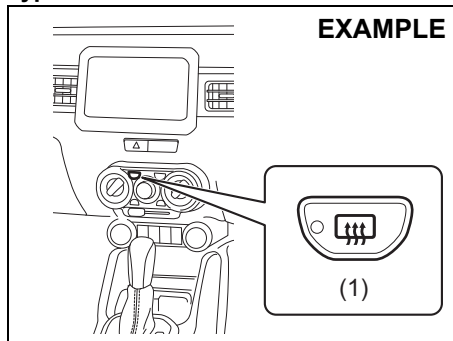
Heated rear window switch / Heated outside rearview mirror switch (if equipped)

Type 1



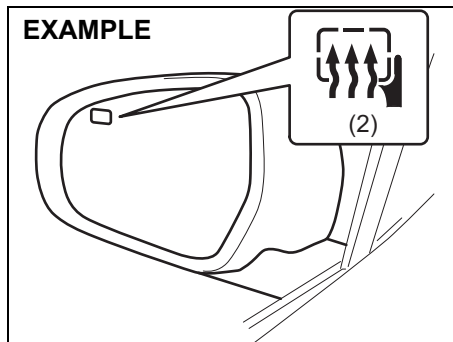
66RH102

Type 2



66RH103

When the rear window is misted, push this switch (1) to clear the window.



54P000246

If the outside rearview mirror has the mark (2), it is also equipped with the heated outside rearview mirrors. When you push the switch (1), both the heated outside rearview mirrors and the heated rear window will operate simultaneously.

An indicator light will be lit when the defogger is on. The defogger will work only when the engine is running. To turn off the defogger, push the switch (1) again.

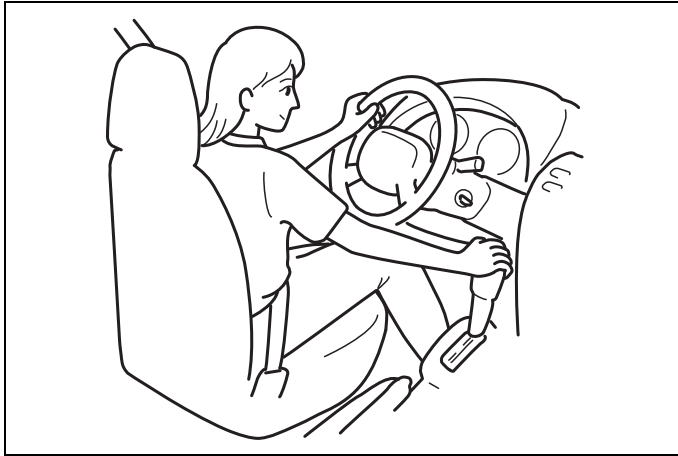
NOTICE

The heated rear window and the heated outside rearview mirrors (if equipped) use a large amount of electricity. Turn off the switch after the window and mirrors have become clear.

NOTE:

- The defogger will work only when the engine is running.
- The defogger will automatically turn off after the defogger remains on for 15 minutes to prevent discharging of the lead-acid battery.

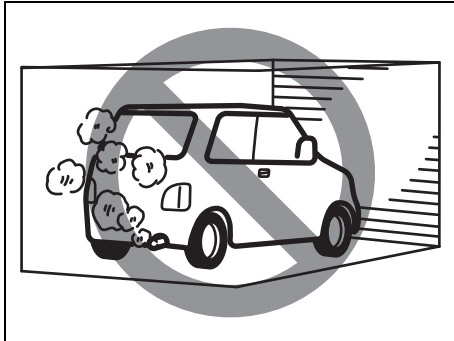
OPERATING YOUR VEHICLE



60G408

Exhaust gas warning	3-1
Daily inspection checklist	3-1
Engine oil consumption	3-2
Ignition switch (vehicle without keyless push start system)	3-3
Engine switch (vehicle with keyless push start system)	3-5
Keyless push start system (if equipped)	3-6
Parking brake lever	3-10
Pedal	3-11
Starting / stopping engine (vehicle without keyless push start system)	3-12
Starting / stopping engine (vehicle with keyless push start system) (if equipped)	3-13
Using transmission	3-17
Gearshift indicator (if equipped)	3-25
ENG A-STOP system (engine auto stop start system) (if equipped)	3-27
Cruise control (if equipped)	3-41
Speed limiter (if equipped)	3-44
SUZUKI SAFETY SUPPORT (if equipped)	3-46
Emergency stop signal (ESS) (if equipped)	3-64
Rearview camera (if equipped)	3-65
Braking	3-68
Electronic stability program (ESP [®]) (if equipped)	3-71
Tyre pressure monitoring system (TPMS) (if equipped)	3-78

Exhaust gas warning



52D334

▲ WARNING

Avoid breathing exhaust gases. Exhaust gases contain carbon monoxide, a potentially lethal gas that is colorless and odorless. Since carbon monoxide is difficult to detect by itself, take the following precautions to help prevent carbon monoxide from entering your vehicle.

- Do not leave the engine running in garages or other confined areas.

(Continued)

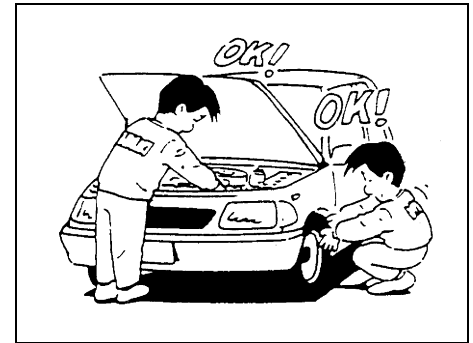
▲ WARNING

(Continued)

- Do not park with the engine running for a long period of time, even in an open area. If it is necessary to sit for a short time in a parked vehicle with the engine running, check that the air intake selector is set to **FRESH AIR** and the blower is at high speed.
- Avoid operating the vehicle with the tailgate or trunk open. If it is necessary to do so, check that the sunroof (if equipped) and all windows are closed, and the blower is at high speed with the air intake selector set to **FRESH AIR**.
- To allow proper operation of your vehicle's ventilation system, keep the air inlet grill in front of the windshield clear of snow, leaves or other obstructions at all times.
- Keep the exhaust tailpipe area clear of snow and other material to help reduce the buildup of exhaust gases under the vehicle. This is particularly important when parked in blizzard conditions.
- Have the exhaust system inspected periodically for damage and leakage. Any damage or leakage should be repaired immediately.

Daily inspection checklist

Before driving



60A187S

- 1) Check that windows, mirrors, lights and reflectors are clean and unobstructed.
- 2) Visually check the tyres for the following points:
 - the depth of the tread groove
 - abnormal wear, cracks and damage
 - loose wheel nuts
 - existence of foreign material such as nails, stones, etc.
- 3) Look for fluid and oil leakage.

Refer to "Tyres" in the "INSPECTION AND MAINTENANCE" section for details.

NOTE:

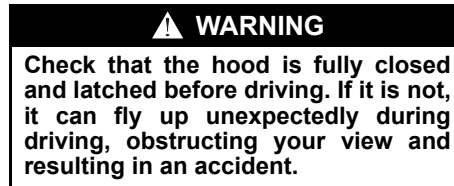
It is normal for water to drip from the air conditioning system after use.

- 4) Check that the hood is fully closed and latched.
- 5) Check the headlights, turn signal lights, brake lights and horn for proper operation.
- 6) Adjust the seat and head restraint.
- 7) Check the brake pedal feeling and the adjustment condition for the parking brake lever.
Refer to "Brake" in "INSPECTION AND MAINTENANCE" section for details.
- 8) Adjust the mirrors.
- 9) Check that you and all passengers have properly fastened your seat belts.
- 10) Check that all warning lights come on as the ignition switch is turned to "ON" position or the engine switch is pressed to change the ignition mode to ON.
- 11) Check all gauges.
- 12) Check that the brake system warning light turns off when the parking brake is released.

Once a week, or each time you fill your fuel tank, perform the following under-hood checks:

- 1) Engine oil level
- 2) Coolant level
- 3) Brake fluid level
- 4) Lead-acid battery solution level
- 5) Windshield washer fluid level

- 6) Hood latch operation
Pull the hood release handle inside the vehicle. Check that you cannot open the hood all the way without releasing the secondary latch. Close the hood securely after checking for proper latch operation. See the item "All latches, hinges and locks" of "Chassis, body and others" in "Maintenance schedule" in the "INSPECTION AND MAINTENANCE" section for lubrication schedule.



Once a month, or each time you fill your fuel tank, check the tyre pressure using a tyre pressure gauge. Also check the tyre pressure of the spare tyre.

Engine oil consumption

It is normal for the engine to consume some engine oil during normal vehicle operation.

The amount of engine oil consumption depends on viscosity and quality of the oil and your driving conditions.

More oil is consumed during high-speed driving and when there is frequent acceleration and deceleration. Under high loads, your engine also will consume more oil.

A new engine also consumes more oil, since its pistons, piston rings and cylinder walls have not yet become conditioned. New engines reach the normal level of oil consumption only after approximately 5000 km (3000 miles) driving.

Oil consumption:
Max. 1.0 L per 1000 km
(1 Qt. per 600 miles)

When judging the amount of oil consumption, note that the oil may become diluted and it is difficult to judge the accurate oil level.

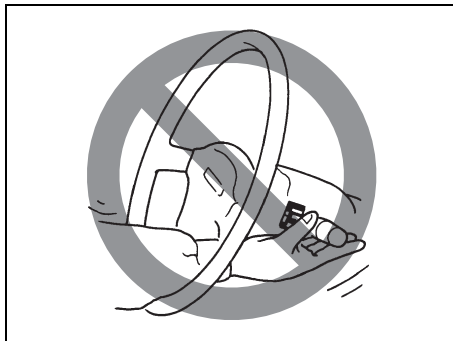
As an example, if a vehicle is used for repeated short trips, and consumes a normal amount of oil, the dipstick may not show any drop in the oil level at all, even after 1000 km (600 miles) or more of driving. This is because the oil gradually becomes diluted with fuel or moisture,

OPERATING YOUR VEHICLE

making it appear that the oil level has not changed.

You should also be aware that the diluting ingredients evaporate out when the vehicle is subsequently driven at high speeds, such as on an expressway, making it appear that oil is excessively consumed after high-speed driving.

Ignition switch (vehicle without keyless push start system)

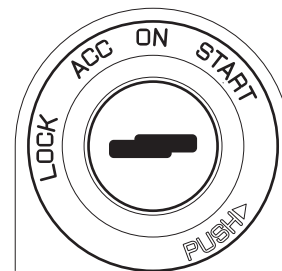


65D611

⚠ WARNING

To avoid possible injury, do not operate controls by reaching through the steering wheel.

EXAMPLE



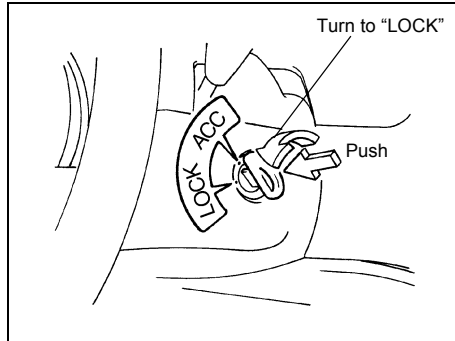
68PH00310

The ignition switch has the following four positions:

LOCK

This is the normal parking position. It is the only position in which the key can be removed.

Manual transmission



60G033

• **Manual transmission**

You must push in the key to turn it to "LOCK" position. It locks the ignition, and prevents normal use of the steering wheel after the key is removed.

• **CVT vehicles**

The gearshift lever must be in "P" (Park) position to turn the key to "LOCK" position. It locks the ignition and prevents normal use of the steering wheel and gearshift lever.

To release the steering lock, insert the key and turn it clockwise to one of the other positions. If you have trouble turning the key to unlock the steering, try turning the steering wheel slightly to the right or left while turning the key.

ACC

Accessories such as the radio can operate, but the engine is off.

ON

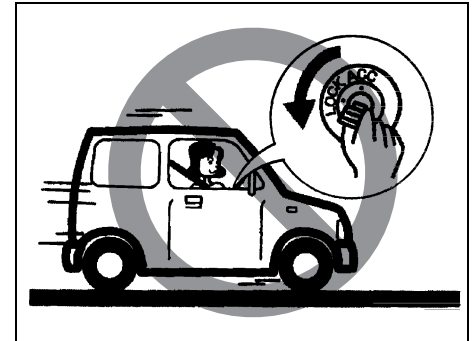
This is the normal operating position. All electrical systems are on.

START

This is the position for starting the engine using the starter motor. The key should be released from this position as soon as the engine starts.

Ignition key reminder

A buzzer sounds intermittently to remind you to remove the ignition key if it is in the ignition switch when the driver's door is opened.



81A297S

⚠ WARNING

- **Never return the ignition switch to "LOCK" position and remove the ignition key while the vehicle is moving. The steering wheel will lock and you will not be able to steer the vehicle.**

(Continued)

▲ WARNING

(Continued)

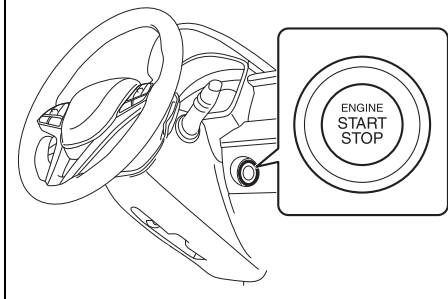
- Always return the ignition switch to “LOCK” position and remove the ignition key when leaving the vehicle even only for a short time. Also do not leave children alone in a parked vehicle. Unattended children could cause accidental movement of the vehicle or could tamper with power windows or power sunroof. They also could suffer from heat stroke in warm or hot weather. These could result in severe injury or even death.

NOTICE

Do not leave the ignition switch in “ON” position if the engine is not running as the lead-acid battery will discharge.

Engine switch (vehicle with keyless push start system)

EXAMPLE



75RM230

LOCK (OFF)

This mode is for parking the vehicle. When this mode is selected by pressing the engine switch and then any door (including the tailgate) is opened or closed, the steering will be locked automatically.

ACC

Press the engine switch to select this ignition mode to use such electric equipment as the audio system, outside rearview mirrors and accessory socket with the engine off. When this position is selected, the information display in the instrument cluster shows the following message: “ACC” IGNITION SWITCH POSITION. Refer to

“Information display” in the “BEFORE DRIVING” section for details.

ON

• With the engine off

You can use such electric equipment as the power windows and wipers with the engine off. When this ignition mode is selected by pressing the engine switch, the information display in the instrument cluster shows the following message: “ON” IGNITION SWITCH POSITION.

• With the engine on

All electric equipment is operational. The vehicle can be driven when you have selected this ignition mode by pressing the engine switch.

START

Manual transmission – Provided you have the keyless push start system remote controller with you, the engine automatically starts when you press the engine switch to select this ignition mode after shifting to “N” (Neutral) and depressing the brake and clutch pedals.

CVT – Provided you have the keyless push start system remote controller with you, the engine automatically starts when you press the engine switch to select this ignition mode after placing the gearshift lever in the “P” position and depressing the brake pedal. (If you need to re-start the engine while the vehicle is moving, shift into “N”.)

NOTICE

Do not leave the engine switch in ACC or ON mode when the engine is not running. Avoid using the radio or other electric accessories for a long time when the engine switch is in ACC or ON mode when the engine is not running, otherwise the lead-acid battery may discharge.

NOTE:

- You do not need to keep the engine switch pressed until the engine starts.
- In the presence of strong radio wave or noise, you may not be able to change the ignition mode to ACC or ON or to start the engine using the engine switch. In this case, the information display in the instrument cluster will show the following message: **KEY FOB NOT DETECTED.**

Unreleased steering lock warning

If the steering lock remains engaged when you press the engine switch to change the ignition mode to ON, the information display in the instrument cluster shows the message: “TRN. STEERING WHEEL TO RELEASE LOCK”. Refer to “Information display” in the “BEFORE DRIVING” section for details.

NOTE:

The steering lock may not be released and the immobilizer/keyless push start system warning light turns on if some load is applied on the steering wheel. If this happens, turn the steering wheel to the right or left to relieve it from the load before you press the engine switch again to change to the desired ignition mode.

Keyless push start system (if equipped)

Provided the keyless push start system remote controller is within the interior workable area (refer to the related explanation in this section), you can use the engine switch for starting the engine and selecting an ignition mode (ACC or ON). In addition, the following functions can be used:

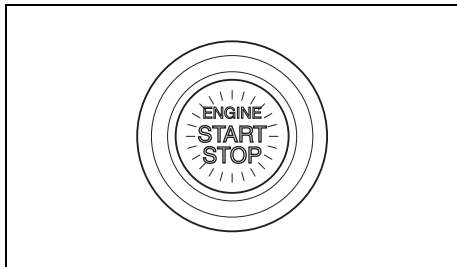
- Keyless entry function. Refer to “Keyless push start system remote controller / keyless entry system transmitter” in the “BEFORE DRIVING” section for details.
- Locking and unlocking doors (including the tailgate) using a request switch. Refer to “Keyless push start system remote controller / keyless entry system transmitter” in the “BEFORE DRIVING” section for details.
- Immobilizer (anti-theft) function. Refer to “Immobilizer system” in the “BEFORE DRIVING” section for details.

OPERATING YOUR VEHICLE

Engine switch illumination

The engine switch is illuminated (lit) in the following situations:

- When the engine is off and the driver's door is open, or for 15 seconds after the driver's door is closed. The illumination will fade out after 15 seconds passed.
- When the engine is off and the position lights are on. The illumination will go out when the position lights are turned off.
- When the engine is on and the position lights and/or the headlights are on. The illumination will go out when the position lights are turned off.



82K253

NOTE:

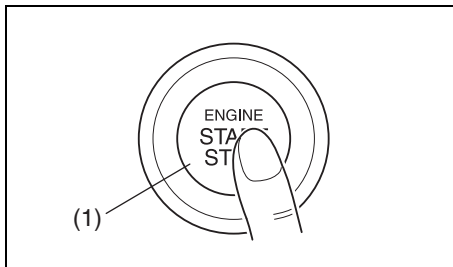
To save the lead-acid battery, the illumination will be automatically turned off when both of the following conditions are simultaneously met:

- The headlights and position lights are turned off.
- 15 minutes has elapsed since opening the driver's door.

Selection of ignition modes

Press the engine switch to select ACC or ON mode as follows when you use an electric accessory or check the operation of instruments without running the engine.

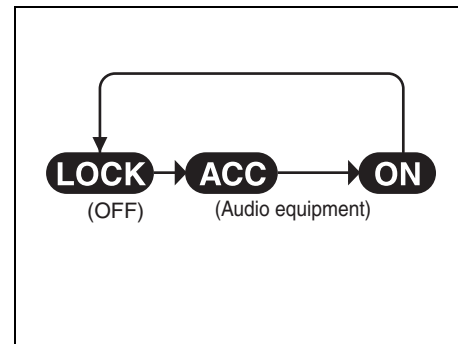
- 1) Bring the keyless push start system remote controller with you and sit in the driver's seat.
- 2) Manual transmission – Without depressing the clutch pedal, press the engine switch (1).
CVT – Without depressing the brake pedal, press the engine switch (1).



82K254

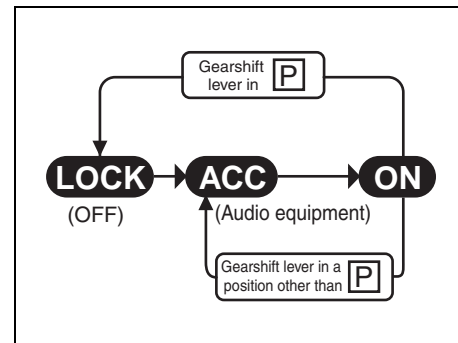
Every time you press the engine switch, the ignition mode changes as follows.

Manual transmission



68PH00322

CVT



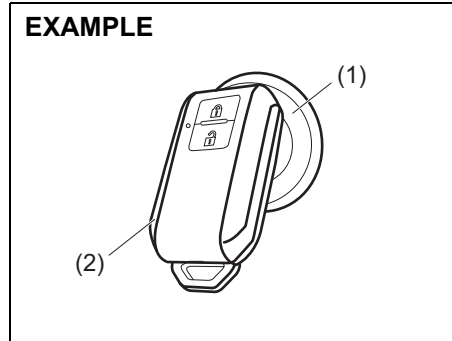
57L31006

NOTE:

- CVT – If the gearshift lever is in any position other than “P”, or if the knob button is pushed when the gearshift lever is in “P” position the ignition mode cannot be returned to LOCK (OFF).
- When selecting the ignition modes, the information display in the instrument cluster shows certain messages. Refer to “Information display” in the “BEFORE DRIVING” section for details.

If the master warning indicator light blinks and the ignition modes cannot be selected

Your keyless push start system remote controller may not be sensed as being within the interior workable area (refer to the related explanation in this section). Try again after checking that you have the remote controller with you. If the ignition modes still cannot be selected, the battery of the remote controller may be discharged. To select an ignition mode, you must then use the following method:



52RM30020

- 1) Without depressing the brake pedal and the clutch pedal, push the engine switch (1).
- 2) The master warning indicator light in the instrument cluster blinks and the message “PLACE KEY FOB ON START SWITCH” appears on the information display within about 10 seconds. Touch the engine switch with LOCK button end of remote controller (2) for about 2 seconds.

NOTE:

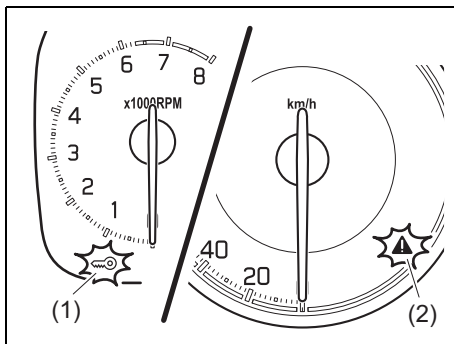
- If you still cannot select the ignition modes, there may be some problem with the keyless push start system. Contact a SUZUKI dealer for an inspection of the system.
- The immobilizer/keyless push start system warning light will come on for about 5 seconds while the master warning indicator light is blinking. In addition, the information display in the instrument cluster will show a message during this time. Refer to “Information display” in the “BEFORE DRIVING” section for details.
- You may customize the system to cause the interior buzzer to sound once for warning that remote controller is out of sensing range. To incorporate this customization, please contact a SUZUKI dealer.
- If the battery of the remote controller is about to become completely discharged, the corresponding message will appear on the information display when you press the engine switch to change the ignition mode to ON. Refer to “Information display” in the “BEFORE DRIVING” section for details. For details on replacing the battery, refer to “Keyless push start system remote controller / keyless entry system transmitter” in the “BEFORE DRIVING” section.

OPERATING YOUR VEHICLE

REMOTE CONTROLLER OUTSIDE warning

When either of the conditions described below is met, the system issues a REMOTE CONTROLLER OUTSIDE warning by sounding the interior and exterior buzzers. At the same time, the immobilizer/keyless push start system warning light comes on and the master warning indicator light blinks.

- Any door is opened and then closed while the remote controller is not inside the vehicle and the engine is running or the ignition mode has been changed to ACC or ON by pressing the engine switch.
- The remote controller is not inside the vehicle when you attempt to start the engine after changing the ignition mode to ACC or ON by pressing the engine switch.



75RM048

- (1) Immobilizer/keyless push start system warning light (blinks)
- (2) Master warning indicator light (blinks)

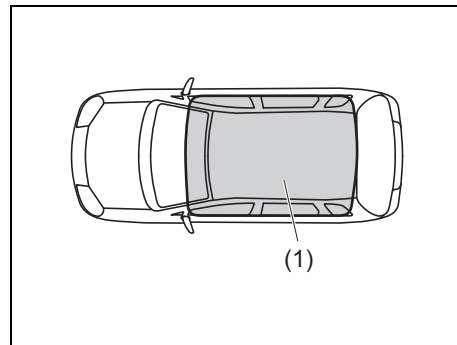
NOTE:

- If the warning is given, locate the remote controller as soon as possible.
- Any attempt to start the engine will fail while the warning is active. The message appearing on the information display in the instrument cluster will also indicate this condition. Refer to "Information display" in the "BEFORE DRIVING" section for details.
- Normally, the immobilizer/keyless push start system warning light should go out and the master warning indicator light should stop blinking shortly after the remote controller is brought back inside the vehicle. If they remain lit and blinking, change the ignition mode to LOCK (OFF)

by pressing the engine switch and then perform the engine starting operation. Refer to "Starting / stopping engine (vehicle with keyless push start system)" in this section.

- Always keep the remote controller with you as the driver.

Interior workable area for engine starting



54P000373

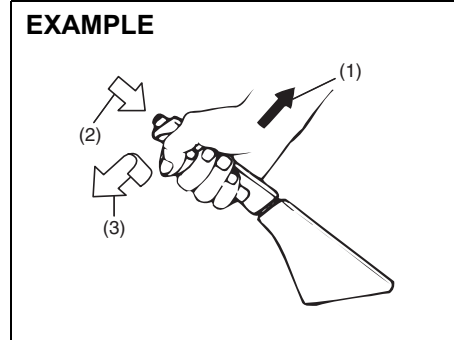
- (1) Interior workable area

The interior workable area is defined as all the interior spaces except for the space above the instrument panel.

NOTE:

- Even when the remote controller is in the interior workable area, if it is in any of the following conditions, you may not be able to start the engine or select the ignition modes, and the REMOTE CONTROLLER OUTSIDE warning may be given.
 - The remote controller’s battery is low.
 - The remote controller is affected by strong radio signals or noise.
 - The remote controller is in contact with or covered by a metallic object.
 - The remote controller is in stowage such as the glove box or a door pocket.
 - The remote controller is in the sun visor pocket or on the floor.
- Even when the remote controller is outside the interior workable area, if it is in any of the following conditions, you may be able to start the engine or select the ignition mode. The REMOTE CONTROLLER OUTSIDE warning may not be given at that time.
 - The remote controller is outside the vehicle but very close to a door.
 - The remote controller is on the instrument panel.

Parking brake lever



54G039

- (1) To set
- (2) To release
- (3) To release

The parking brake lever is located between the seats. To set the parking brake, hold the brake pedal down and pull the parking brake lever all the way up. To release the parking brake, hold the brake pedal down, pull up slightly on the parking brake lever, push the button on the end of the lever with your thumb, and lower the lever to its original position.

For CVT vehicles, always set the parking brake before moving the gearshift lever to “P” (PARK) position. If you park on an incline and shift into “P” before setting the parking brake, the weight of the vehicle may make it difficult to shift out of “P” when you are ready to drive the vehicle.

When preparing to drive the vehicle, move the gearshift lever out of “P” position before releasing the parking brake.

⚠ WARNING

- **Never drive your vehicle with the parking brake on: rear brake effectiveness can be reduced from overheating, brake life may be shortened, or permanent brake damage may result.**
- **If the parking brake does not hold the vehicle securely or does not fully release, have your vehicle inspected immediately by a SUZUKI dealer.**

⚠ WARNING

Always set the parking brake fully before leaving your vehicle or it may move, causing injury or damage. When parking, check that the gear-shift lever is in one of the following positions;

- 1st gear or “R” (Reverse) for manual transmission vehicles.
- “P” (Park) for CVT vehicles.

Remember, even though the transmission is in gear or in Park, you must set the parking brake fully.

⚠ WARNING

When parking the vehicle in extremely cold weather, the following procedure should be used:

- 1) Set the parking brake.
- 2) Manual transmission – turn off the engine, then shift into “R” (Reverse) or 1st gear.
CVT – shift into “P” (Park) and turn off the engine.
- 3) Get out of the vehicle and put chocks under the wheels.
- 4) Release the parking brake.
When you return to your vehicle, first set the parking brake, and then remove the wheel chocks.

⚠ WARNING

Do not leave cigarette lighters, spray cans, soft drink cans or plastic articles (such as glasses, CD cases, etc.) in sun-heated vehicle. The temperature inside the vehicle may cause as follows:

- Gas may leak from a cigarette lighter or spray can and may lead to a fire.
- The glasses, plastic cards or CD cases, etc. may deform or crack.
- Soft drink cans may fracture.

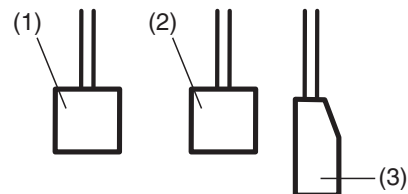
Parking brake reminder buzzer

A buzzer sounds intermittently to remind you to release the parking brake if you start the vehicle without releasing the parking brake. Check that the parking brake is fully released and the brake system warning light turns off.

Pedal

Manual transmission

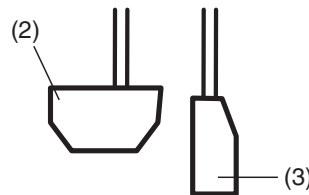
EXAMPLE



80J2121

CVT

EXAMPLE



80J2122

Clutch pedal (1)

A clutch pedal is used to disengage the drive to the wheels when starting the engine, stopping, or shifting the gearshift lever. Depressing the pedal disengages the clutch.

⚠ WARNING

Do not drive with your foot resting on the clutch pedal. It could result in excessive clutch wear, clutch damage, or unexpected loss of engine braking.

Brake pedal (2)

Your SUZUKI vehicle is equipped with front disc brakes and rear drum brakes. Depressing a brake pedal applies both sets of brakes.

You may hear occasional brake squeal when you apply the brakes. This is a normal condition caused by environmental factors such as cold, wet, snow, etc.

⚠ WARNING

If brake squeal is excessive and occurs each time the brakes are applied, you should have the brakes checked by your SUZUKI dealer.

⚠ WARNING

Do not apply brakes continuously or rest your foot on the brake pedal. This will result in overheating of the brakes which could cause unpredictable braking action, longer stopping distances, or permanent brake damage.

Accelerator pedal (3)

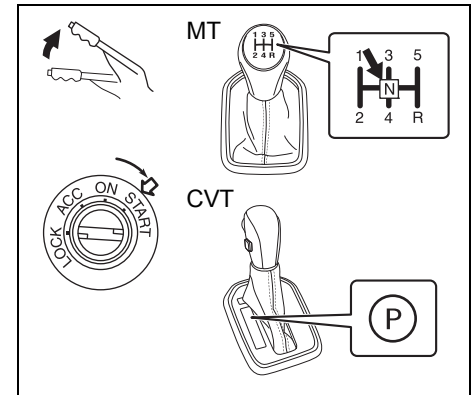
An accelerator pedal controls the speed of the engine. Depressing the accelerator pedal increases power output and speed.

NOTE:

Your vehicle is equipped with Brake Override System. If you depress both the accelerator pedal and the brake pedal simultaneously, the engine power output may be suppressed.

Starting / stopping engine (vehicle without keyless push start system)

Starting engine



73SB008

- 1) Check that the parking brake is set fully.
- 2) Turn off such loads as the headlights and air conditioning system to facilitate starting of the engine.

OPERATING YOUR VEHICLE

- Manual transmission – Shift into “N” (Neutral) and depress the clutch pedal all the way to the floor. Hold the clutch pedal while starting the engine.
CVT – If the gearshift lever is not in “P” (Park) position, shift into “P” (Park). (If you need to re-start the engine while the vehicle is moving, shift into “N”.)
- With your foot taken off the accelerator pedal, crank the engine by turning the ignition key to “START”. Release the key immediately after the engine has started.

NOTICE

- CVT vehicles:**
In case that you need to restart the engine while the vehicle is moving, shift into “N”. Otherwise the engine and transmission can be damaged.
- For protection of a lead-acid battery and a starter motor, do not use the starter motor by turning the key to “START” for more than 12 seconds at a time. If the engine does not start, turn the key to “LOCK” position and wait for more than 30 seconds before trying again. If the engine does not start after several attempts, consult a SUZUKI dealer or a qualified workshop.

NOTE:

- CVT vehicles:**
CVT vehicles have a starter interlock device. The engine starts when the gearshift lever is in either “P” or “N” position.
- For K12D engine models:**
If the ambient temperature is less than -10°C (14°F) when the engine is started, you may hear a periodic loud noise from the engine room. The noise will stop when the engine has warmed up. This is not a malfunction.

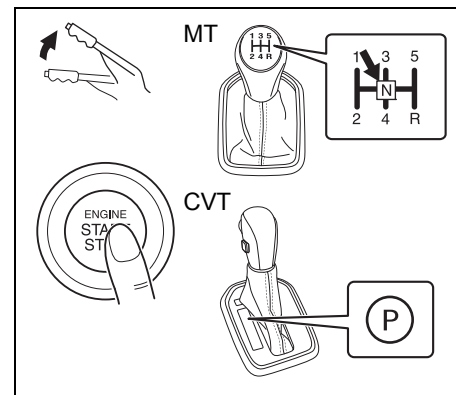
Stopping engine

NOTICE

CVT vehicles:
If you stop the engine while the vehicle is in motion, the CVT may be damaged. Avoid stopping the engine while driving.

Starting / stopping engine (vehicle with keyless push start system) (if equipped)

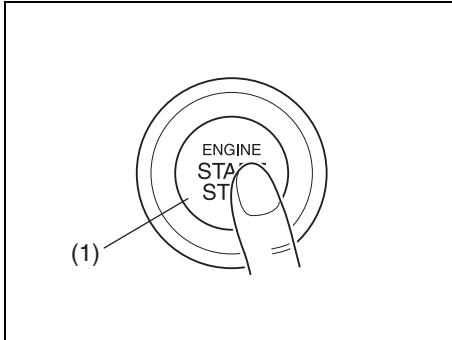
Starting engine



73SB009

- Check that the parking brake is set fully.
- Turn off such loads as the headlights and air conditioning system to facilitate starting of the engine.

- 3) Manual transmission vehicles:
Shift into “N” (Neutral). Hold the clutch pedal and brake pedal fully depressed.
CVT vehicles:
If the gearshift lever is not in “P” (Park) position, shift into “P” (Park). Hold the brake pedal fully depressed.
- 4) The “PUSH START SWITCH” message will appear in the information display in the instrument cluster.



82K254

- 5) With your foot taken off the accelerator pedal, push the engine switch (1). When the engine is started, the starter motor will automatically stop.
 - Even if you fail to start the engine, the starter motor will stop turning automatically after approximately 12 seconds. In this case, press the engine switch to select LOCK (OFF) mode and restart the engine.

- If there is a problem with the system, the engine will not start automatically even if the switch is pressed. In case the starter motor does not turn or stops immediately, start the engine by the following procedure.
 - a. Press the engine switch to select the ON mode.
 - b. Perform the above procedure 1) to 3).
 - c. Keep the engine switch pressed until the engine starts. Release your finger from the engine switch after the engine has started.

NOTICE

If the engine does not start, press the engine switch to select LOCK (OFF) mode and wait for more than 30 seconds before trying again, for protection of a lead-acid battery and a starter motor. If the engine does not start after several attempts, consult a SUZUKI dealer or a qualified workshop.

NOTE:

- *You do not need to keep the engine switch pressed to start the engine.*
- *Manual transmission vehicles:
The engine of a manual transmission vehicle will not start unless the clutch pedal is depressed.*
- *CVT vehicles:
CVT vehicles have a starter interlock*

- device. The engine starts when the gearshift lever is in either “P” or “N” position.*
- *During the engine starting procedure, messages on the information display will help you. Refer to “Information display” in “BEFORE DRIVING” section for details.*
 - *For K12D engine models:
If the ambient temperature is less than -10°C (14°F) when the engine is started, you may hear a periodic loud noise from the engine room. The noise will stop when the engine has warmed up. This is not a malfunction.*

Stopping engine

- Depress the engine switch to stop the engine after the vehicle stopped completely.
- In case of emergency, you can stop the engine by quickly pushing the engine switch more than 3 times, or pushing and holding the engine switch for more than 2 seconds while the vehicle is in motion.

NOTE:

Except in cases of emergency, do not stop the engine while the vehicle is in motion. The steering and braking operation will require more effort when the engine is stopped. Refer to “Braking” in this section.

NOTICE

CVT vehicles:

If you stop the engine while the vehicle is in motion, the automatic transmission or CVT may be damaged. Avoid stopping the engine while driving.

Emergency stop

In case of emergency, you can stop the engine by quickly pushing the engine switch more than 3 times, or pushing and holding the engine switch for more than 2 seconds while the vehicle is in motion.

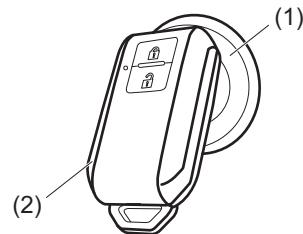
NOTE:

Except in cases of emergency, do not stop the engine while the vehicle is in motion. The steering and braking operation will require more effort when the engine is stopped. Refer to "Braking" in this section.

Master warning indicator light blinks and engine cannot be started

Your keyless push start system remote controller may not be sensed as being within the interior workable area. Try again after checking that you have the remote controller with you. If the engine still cannot be started, the battery of the remote controller may be discharged. To start the engine, use the following method:

EXAMPLE



52RM30020

- 1) Check that the parking brake is set fully.
- 2) Manual transmission – Shift to “N” (Neutral) and fully depress the clutch pedal. Hold the clutch and brake pedals fully depressed.
CVT – If the gearshift lever is not in the “P” (Park) position, shift it to “P”. Hold the brake pedal fully depressed.
- 3) “PUSH START SWITCH.” message will appear on the information display in the instrument cluster. Press the engine switch (1).
- 4) The master warning indicator light in the instrument cluster blinks within about 10 seconds. Touch the engine switch with LOCK button end of remote controller (2) for about 2 seconds.

NOTE:

- *If you still cannot start the engine after several attempts using the above method, there may be a problem elsewhere, such as the lead-acid battery performance is poor. Contact your SUZUKI dealer for inspection.*
- *The immobilizer/keyless push start system warning light will come on for about 5 seconds while the master warning indicator light is blinking. In addition, the information display will show a certain message during this time. Refer to “Information display” in the “BEFORE DRIVING” section for details.*
- *You may customize the system to cause the interior buzzer to sound once for warning that remote controller is out of*

sensing range. Please contact a SUZUKI dealer for the customization.

- *If the battery of the remote controller is about to become completely discharged, the corresponding message will appear on the information display when you press the engine switch to change the ignition mode to ON. For details on replacing the battery, refer to “Keyless push start system remote controller / keyless entry system transmitter” in the “BEFORE DRIVING” section.*

Returning ignition mode to LOCK (OFF)

CVT – To ensure safety, the ignition mode can be returned to LOCK (OFF) by pressing the engine switch only when the gearshift lever is placed in the “P” position without pressing the knob button.

NOTE:

In the case of a CVT model, the ignition mode cannot be returned to the LOCK (OFF) position if the gearshift lever is in any other position than “P”.

Certain problems like a fault in engine system may prevent the engine switch from going back to the LOCK (OFF) mode. If this happens, have the vehicle inspected by a SUZUKI dealer after doing the following:

- *Lock the doors using the key to prevent theft. (The request switches and the keyless push start system remote controller cannot be used to lock them.)*
- *Disconnect the negative cable from the lead-acid battery to prevent discharge.*

OPERATING YOUR VEHICLE

LOCK (OFF) mode reminder buzzer

If the driver's door is opened without returning the ignition mode to LOCK (OFF) by pressing the engine switch, a buzzer sounds to warn you of this state.

- If you open the driver's door after pressing the engine switch to change the ignition mode to ACC, the interior buzzer beeps intermittently.
- The buzzer will stop sounding if you then push the engine switch twice, thus bringing it back the ignition mode to LOCK (OFF).

NOTE:

Whenever you leave the vehicle, check that you have returned the ignition mode to LOCK (OFF) using the engine switch and then lock the doors. Without returning the ignition mode to LOCK (OFF), you cannot use a request switch or keyless push start system remote controller to lock the doors.

Steering lock warning buzzer

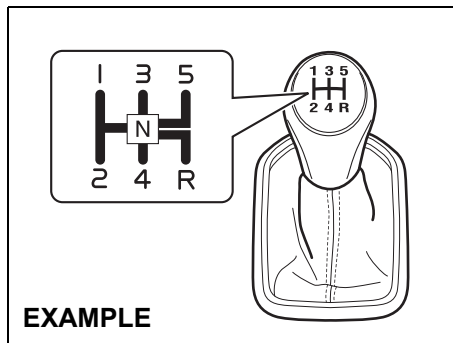
If the steering lock fails to engage due to a fault in the system when the ignition mode is turned to LOCK (OFF) by pressing the engine switch and any door (including the tailgate) is opened or closed, the interior buzzer will warn you of this condition with repeated short beeps. If this happens, have the vehicle inspected by a SUZUKI dealer.

Using transmission

⚠ WARNING

Do not hang any items on the gearshift lever and do not use the gearshift lever as a handrest. Otherwise, it could prevent proper operation of the gearshift lever and cause its malfunction, resulting in an accident.

Manual transmission



75RM254

Starting off

To start off, depress the clutch pedal all the way to the floor and shift into 1st gear. After releasing the parking brake, gradually release the clutch. When you hear a change in the engine's sound, slowly press the accelerator while continuing to gradually release the clutch.

Shifting

All forward gears are synchronized and provide quiet and easy shifting. Always depress the clutch pedal all the way to the floor before shifting gears. Keep the engine speed from rising into the red zone of the tachometer (if equipped).

Downshifting maximum allowable speeds

K12C and K12D engine model (2WD)

Downshifting	km/h (mph)
2nd to 1st	20 (12)
3rd to 2nd	85 (52)
4th to 3rd	130 (80)
5th to 4th	175 (108)*

K12C and K12D engine model (4WD)

Downshifting	km/h (mph)
2nd to 1st	20 (12)
3rd to 2nd	80 (49)
4th to 3rd	125 (77)
5th to 4th	170 (105)*

K12M engine model

Downshifting	km/h (mph)
2nd to 1st	20 (12)
3rd to 2nd	80 (49)
4th to 3rd	125 (77)
5th to 4th	175 (108)*

***NOTE:**

You may not accelerate to the maximum allowable speed because of the driving situation and/or the vehicle condition.

NOTICE

Do not downshift to a lower gear at the speed faster than the maximum allowable speeds for the next lower speed, or severe damage to engine and transmission can result.

⚠ WARNING

- Reduce your speed and downshift to a lower gear before going down a long or steep hill. A lower gear will allow the engine to provide braking. Avoid riding the brakes or they may overheat, resulting in brake failure.
- When driving on slippery roads, slow down before downshifting. Excessive and/or sudden changes in engine speed may cause loss of traction, which could cause you to lose control.

NOTICE

Check that the vehicle is completely stationary before you shift into reverse.

NOTICE

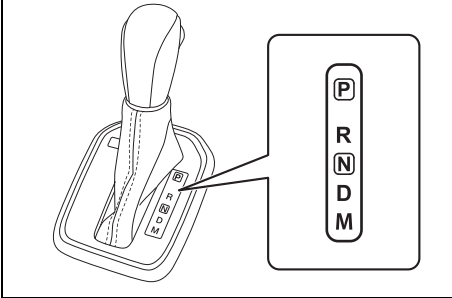
- To help avoid clutch damage, do not use the clutch pedal as a footrest while driving or use the clutch to keep the vehicle stationary on a slope. Depress the clutch fully when shifting.
- When shifting or starting off, do not race the engine. Racing the engine can shorten engine life and cause negative effect to smooth shifting.

Continuously variable transmission (CVT)

Gearshift lever

Models with manual mode

EXAMPLE

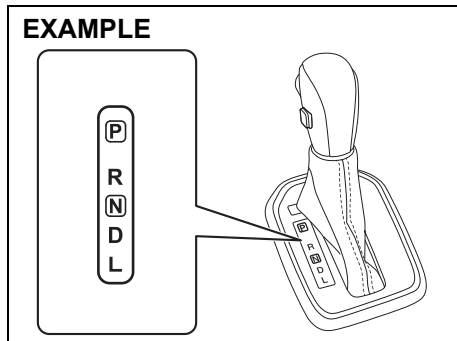


75RM112

OPERATING YOUR VEHICLE

Models with switch of S-mode

EXAMPLE



75RM049

The gearshift lever is designed so that it cannot be shifted out of the “P” position unless the ignition switch is in the “ON” position or the ignition mode is ON and the brake pedal is depressed.

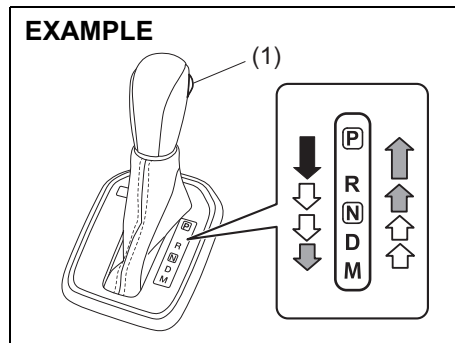
▲ WARNING

Always depress the brake pedal before shifting from “P” (Park) (or “N” (Neutral) if the vehicle is stationary) to a forward or reverse gear, to help prevent the vehicle from moving unexpectedly when you shift.

The gearshift lever has a lock mechanism to help prevent accidental shifting. To shift the gearshift lever:

Models with manual mode

EXAMPLE

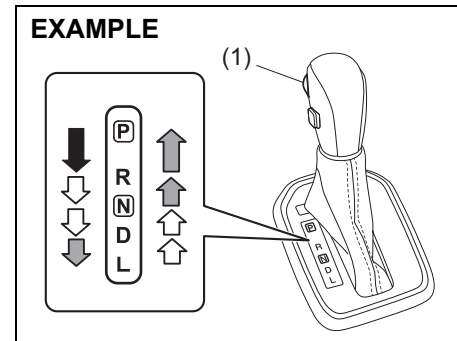


75RM113

(1) Knob button

Models with switch of S-mode

EXAMPLE



75RM361

(1) Knob button

↓	Shift with the knob button (1) pushed in and the brake pedal depressed.
↑ ↓	Shift with the knob button (1) pushed in.
↑ ↓	Shift without the knob button (1) pushed in.

NOTE:

- Always shift the gearshift lever without pushing in the knob button (1) except when you shift from “P” to “R”, from “D” to “M” or “L”, from “N” to “R” or from “R” to “P”. If you always push in the knob button (1) when shifting the gearshift lever, you could shift into “P”, “R”, “M” or “L” by mistake.
- If driver’s or passenger’s knee hits the gearshift lever while driving, the lever could move and the gear could be changed unexpectedly.

Use the gearshift lever positions as follows:

P (Park)

Use this position to lock the transmission when the vehicle is parked or when starting the engine. Shift into Park only when the vehicle is completely stationary.

R (Reverse)

Use this position to reverse the vehicle from stop. Make sure that vehicle is completely stationary before shifting into Reverse.

▲ CAUTION

For the vehicles with the keyless push start system, if you cannot press the engine switch firmly, the engine may not start. Even if you shift the gearshift lever into “R” or “D” position without the engine running, the vehicle does not move. If you try to move your vehicle under the above-mentioned condition, the vehicle may move in unexpected directions on a slope, etc. This may cause an accident. When starting the engine, press the engine switch firmly. Also, make sure that the engine is running by checking engine sound or warning and indicator lights.

NOTICE

Do not shift the gearshift lever into “R” while moving forward, or the transmission may be damaged. If you shift into “R” when the vehicle speed is over 10 km/h (6 mph), the transmission will not shift into reverse.

NOTE:

For Hong Kong models, the warning buzzer of Reverse position sounds when you shift into Reverse to notify the driver that the gearshift lever is in “R” range. The warning buzzer of Reverse position is not used for notifying the vehicle’s reverse to persons outside the vehicle.

N (Neutral)

Use this position for starting the engine if the engine stalls and you need to restart it while the vehicle is moving. You may also shift into Neutral and depress the brake pedal to hold the vehicle stationary during idling.

D (Drive)

Use this position for all normal driving.

With the gearshift lever in “D” range you can get an automatic downshift by pressing the accelerator pedal. The higher the vehicle speed is, the more you need to press the accelerator pedal to get a downshift.

M (manual mode) (models with manual mode)

Use this position for driving in the manual mode.

Refer to “Manual mode” later in this section for details on how to use the manual mode.

OPERATING YOUR VEHICLE

L (Low) (models with switch of S-mode)

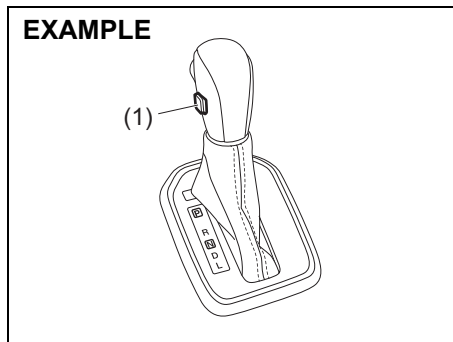
Use this position to provide maximum power when climbing steep hills or driving through deep snow or mud, or to provide maximum engine braking when going down steep hills.

NOTICE

Be sure to take the following precautions to help avoid damage to the CVT:

- Make sure that the vehicle is completely stationary before shifting into "P" or "R".
- Do not shift from "P" or "N" to "R", "D", "M" or "L" when the engine is running above idle speed.
- Do not rev the engine with the transmission in a drive position ("R", "D", "M" or "L") and the front wheels not moving.
- Do not use the accelerator to hold the vehicle on a hill. Use the vehicle's brakes.

Switch of S-mode (models with switch of S-mode)



75RM051

(1) Switch of S-mode

Switch of S-mode is ON

This mode is suitable when driving on hills and/or rough roads.

- It will engage the engine brake when driving on down hills.
- It helps to operate powerful and smooth driving on up hills or rough roads with stable engine revolutions.

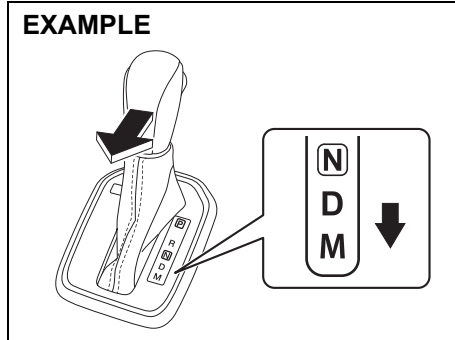
Switch of S-mode is OFF

This mode is suitable for normal driving.

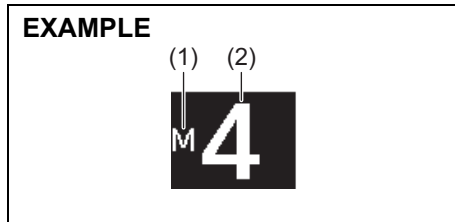
- You can keep low fuel consumption with less noise.
- Each time you press the switch, ON and OFF is switched.
- When the switch of S-mode is turned on, the S-mode indicator comes on.
- When you start the engine, the switch of S-mode will be OFF.

Manual mode (models with manual mode)

The CVT can shift gears automatically. When using the manual mode, you can shift gears in the same manner as conventional manual transmission. To use the manual mode, shift the gearshift lever from “D” to “M”.



62R0098



75RM325

- (1) Manual mode indicator
- (2) Gear position

The information display shows the manual mode indicator (1) and the current gear position (2).

NOTE:

- The indicated gear position on the information display when you shift from “D” to “M” is the gear position that was selected automatically when the gearshift lever was in “D”.
- You can change to the manual mode temporarily by pulling the shift paddle on the steering wheel toward you when the gearshift lever is in “D”.

Shifting in the manual mode

You can shift gears from 1st to 7th depending on driving speed.

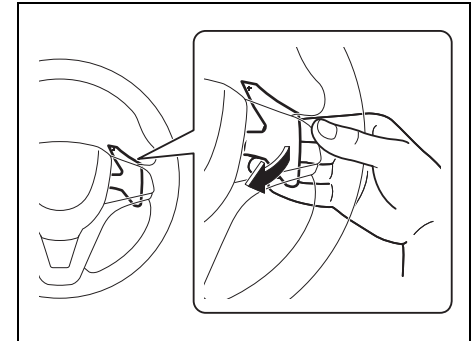
NOTE:

- When the engine is revved, the gear is shifted up automatically to prevent damage to the engine and the transmission.
- When the driving speed becomes slow, the gear shifts down automatically, and when the vehicle stops, the gear position will be in 1st gear without shifting the gearshift lever.
- If you depress the accelerator pedal a certain amount, the gear shifts down automatically even if the gearshift lever is in the manual mode.

NOTE:

When you change gear, sometimes the transmission may not shift to the desired gear but a buzzer sounds instead. This is to maintain good drivability and to protect the transmission.

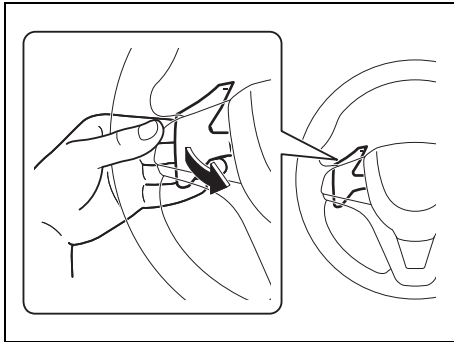
Using the shift paddle



62R0144

To shift up, pull the “+” side shift paddle, located on right side of the steering wheel, toward you. When you release your finger from the switch, the switch will return to the original position.

OPERATING YOUR VEHICLE



62R0145

To shift down, pull the “-” side shift paddle, located on left side of the steering wheel, toward you. When you release your finger from the switch, the switch will return to the original position.

NOTE:

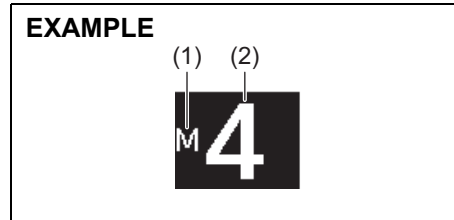
- To shift gears continuously, release your finger from the shift paddle, then pull the shift paddle again. You cannot shift gears continuously while holding the shift paddle toward you.
- When you pull the both “+” and “-” shift paddle simultaneously, the gear may not shift.

Canceling the manual mode

To cancel the manual mode, shift the gearshift lever from “M” to “D”.

Temporary manual mode

Pull the shift paddle toward you when driving with the gearshift lever in the “D” position. The information display shows the manual mode indicator (1) and the current gear position (2).



75RM325

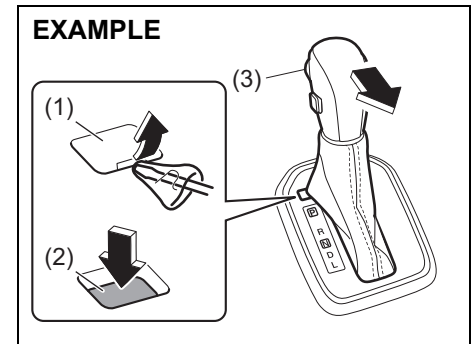
- (1) Manual mode indicator
- (2) Gear position

The temporary manual mode will be canceled automatically in the following situations.

- When you press and hold the accelerator pedal for a certain period of time without shifting gears.
- When driving speed becomes slow.

If you cannot shift CVT gearshift lever out of “P” (PARK)

Left Hand Drive Vehicle



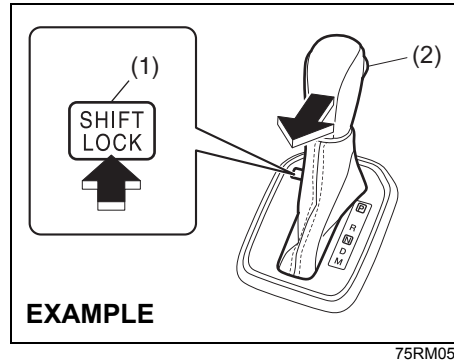
73SB30010

Vehicles with a CVT have an electrically operated park-lock feature. If the vehicle's lead-acid battery is discharged, or there is some other electrical failure, the CVT cannot be shifted out of Park in the normal way. Jump starting may correct the condition. If not, follow the procedure described below. This procedure will permit shifting the transmission out of Park.

- 1) Be sure the parking brake is firmly applied.
- 2) If the engine is running, stop the engine.
- 3) Make sure the key is in the "ON" or "ACC" position, or the ignition mode is ON or ACC.
- 4) Remove the cover (1) by using a flat-bladed screwdriver covered with a soft cloth as shown.
- 5) With the release button (2) pushed by the key or the flat end rod, push the knob button (3) and shift the gearshift lever to the desired position.

This procedure is for emergency use only. If repeated use of this procedure is necessary, or the procedure does not work as described, take the vehicle to an authorized SUZUKI dealer for repair.

Right Hand Drive Vehicle



Vehicles with a CVT have an electrically operated park-lock feature. If the vehicle's lead-acid battery is discharged, or there is some other electrical failure, the CVT cannot be shifted out of Park in the normal way. Jump starting may correct the condition. If not, follow the procedure described below. This procedure will permit shifting the transmission out of Park.

- 1) Be sure the parking brake is firmly applied.
- 2) If the engine is running, stop the engine.
- 3) Make sure the key is in the "ON" or "ACC" position, or the ignition mode is ON or ACC.
- 4) With the release button (1) pushed, push the knob button (2) and shift the gearshift lever to the desired position.

This procedure is for emergency use only. If repeated use of this procedure is necessary, or the procedure does not work as described, take the vehicle to your dealer for repair.

Gearshift indicator (if equipped)

EXAMPLE



75RM327

In the following cases, the gearshift indicator is indicated on the information display when the ignition switch is in "ON" position or the ignition mode is ON.

- For manual transmission vehicle, when the gearshift lever is in a position other than "N" (Neutral).
- For vehicles equipped with the cruise control, when the system is not in use.

The electronic control system monitors driving condition (such as vehicle speed and/or engine revolution), and it shows which gear position is optimal for your driving with the indication on the display.

Manual transmission vehicle

If UP/DOWN arrow is indicated on the display while driving, we recommend you to shift up or down the gear until the arrow disappears. It is the optimal gear position for a driving condition that reduces the over revolution and stress to the engine, and improves fuel consumption.

WARNING

The gearshift indicator is designed to indicate optimal gear position for your driving, however, a driver will not be relieved from the duty of care of driving operation or gear change with this indicator.



To drive safe, do not gaze the gearshift indicator, pay attention to your driving situation and shift up or down if necessary.

NOTE:

- For manual transmission vehicle, the gearshift indicator is not indicated when the gear position is in "N" (Neutral).
- For manual transmission vehicle, if you depress the clutch pedal while UP/DOWN arrow is indicated, the indication will disappear.
- The indication of gearshift indicator timing may differ depending on the vehicle condition and/or driving situation even in the same vehicle speed and engine revolution.
- If any of the electrical systems such as the dual camera brake support or the ESP® (if equipped) is working, the gearshift indicator will disappear temporarily.

Example of the gearshift indicator

Manual transmission

Indication	Description
	<p>Lower gear position is selected for the vehicle speed and/or engine revolution. Changing to a higher gear position is recommended.</p>
	<p>Higher gear position is selected for the vehicle speed and/or engine revolution. Changing to a lower gear position is recommended.</p>

ENG A-STOP system (engine auto stop start system) (if equipped)

The ENG A-STOP system (engine auto stop start system) automatically stops and restarts the engine when decelerating before stopping and when the vehicle is stopped, such as at a traffic signal, in order to reduce exhaust gases, fuel consumption and engine noise.

- This system automatically stops the engine under certain conditions. When the vehicle will be stopped for a long time or when you will leave the vehicle unattended, set the parking brake firmly, and then turn the ignition switch or press the engine switch to stop the engine.
- If certain conditions are met, the engine is stopped automatically when decelerating (approximately 15 km/h (9 mph) or less for manual transmission vehicles, approximately 13 km/h (8 mph) or less for CVT vehicles) before stopping. However, the engine will not be stopped automatically during deceleration until confirmation of the system function is finished.

NOTE:

If your vehicle is equipped with the automatic heating and air conditioning system, you can change the automatic engine stop condition via the information display. Refer to "Setting mode" in "Information display (instrument cluster with tachometer)" in the "BEFORE DRIVING" section.



75RM054

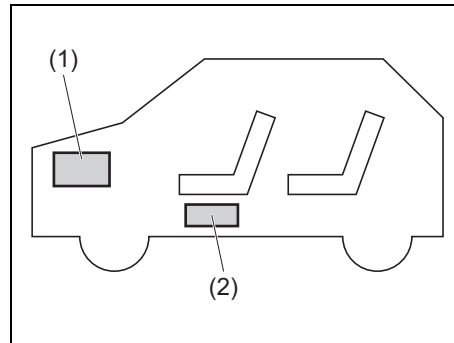
▲ CAUTION

- Do not get out of the vehicle when the engine has been stopped automatically by the ENG A-STOP system. This may result in an accident.
 - For manual transmission, if the driver's seat belt is unfastened or the driver's door is opened, the engine will be restarted to warn you that the engine was stopped automatically by the ENG A-STOP system.
 - For CVT, if the driver's seat belt is unfastened, even if the brake pedal is pressed down, or the driver's door is opened, the engine will be restarted to warn you that the engine was stopped automatically by the ENG A-STOP system.
- If the engine is not restarted automatically after being stopped by the ENG A-STOP system, turn the ignition switch or press the engine switch to start the engine. Operating the vehicle without restarting the engine will require more effort for steering and braking operations and may result in an accident.

NOTICE

Since models equipped with this system use a lead-acid battery specifically for the high-efficiency ENG A-STOP system, observe the following precautions. Failure to observe these precautions may result in a malfunction of the system or a shortened battery life.

- When replacing the battery, only use the specified type. (Do not use any other type of battery.)
- Do not power electrical accessories from the battery terminals.

Lithium-ion battery

68PM00368

- (1) Battery (lead-acid battery)
 (2) Lithium-ion battery

This lithium-ion battery is used exclusively for the vehicle equipped with ENG A-STOP system, and located below the front left side seat.

- Just like a battery (lead-acid battery), the lithium-ion battery also discharges gradually.
 To prevent the lithium-ion battery from dying, you must charge the lithium-ion battery by driving continuously for at least 30 minutes once a month.
- The lithium-ion battery is maintenance-free.
- To replace or dispose of the lithium-ion battery, consult an authorized SUZUKI dealer.

⚠ WARNING

Wrong handling of the lithium-ion battery may result in fire, electric shock or system malfunction. Accordingly, observe the instructions listed below:

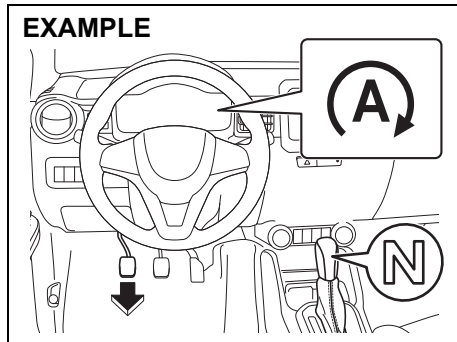
- Do not dismount or disassemble the lithium-ion battery.
- Do not let the lithium-ion battery come in contact with water or other liquids.
- Do not apply strong impact on the lithium-ion battery.
- Do not step on the lithium-ion battery or put articles on the lithium-ion battery.
- Do not disconnect the lithium-ion battery terminals or draw power from the terminals for electrical products.

OPERATING YOUR VEHICLE

Automatically stopping/restarting of the engine

Manual transmission vehicles

- 1) With the brake pedal depressed, decelerate the vehicle.



- 2) When decelerating at approximately 15 km/h (9 mph) or below with the clutch pedal depressed and the gearshift lever shifted to “N”, and then release the clutch pedal, the engine will stop automatically.

The ENG A-STOP indicator light (green) in the instrument cluster will come on.

- The ENG A-STOP system will not stop the engine automatically if all the automatic engine stop conditions are not met.
For details, refer to the section, “Oper-

ating conditions of ENG A-STOP system”.

- During the automatic engine stop, the engine may shut down, accompanied by an interior buzzer or restarted, to ensure safety.

For details, refer to the section, “Precautions of when the engine is stopped automatically”.

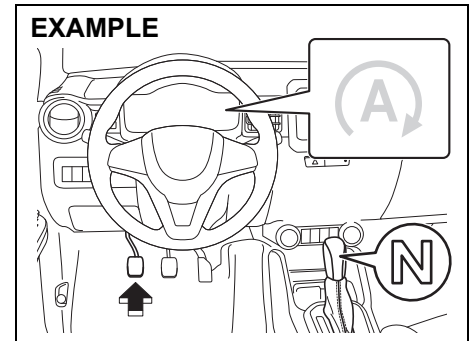
NOTICE

During the automatic engine stop, do not shift the gearshift lever to a position other than “N” without depressing the clutch pedal. If the gearshift lever is in a position other than “N”, the engine will not restart automatically even if the clutch pedal is depressed.

NOTE:

- *Engine auto stop function during deceleration will be ready once the vehicle runs at a speed exceeding 10 km/h (6 mph) after restart of the engine.*
- *Even if the engine did not stop automatically before the vehicle came to a stop (still traveling at approximately 15 km/h (9 mph) or below), the engine may stop automatically once the vehicle stops.*
- *If the engine stalled by a rapid clutch operation, the engine may restart when the gearshift lever is in “N” (Neutral) position, the clutch lever is depressed, and other standby conditions are met.*

- *The audio and other electrical component can be used during the automatic engine stop, but the air conditioner will switch to the fan mode.*
- *If the vehicle is equipped with the automatic heating and air conditioning system, the fan speed will be limited during the automatic engine stop (only in the auto control mode) to keep the cabin air-conditioned for a longer time.*



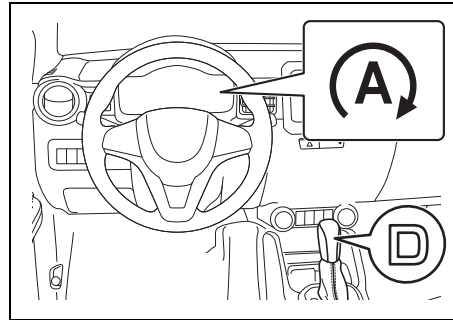
- 3) Regardless of whether the vehicle has stopped or not, depressing the clutch pedal will restart the engine and the ENG A-STOP indicator light (green) will go off.

While the engine is automatically stopping, depressing the clutch pedal will restart the engine consuming fuel. Therefore, for fuel economy, it is recommended to depress the clutch pedal just before the vehicle start.

- Without depressing the clutch pedal, the engine may restart automatically if the automatic engine restart conditions are met.
For details, refer to the section, “Conditions to restart the engine automatically”.

CVT vehicles

- 1) Depress the brake pedal to decelerate while the gearshift lever is in the “D” position will automatically stop the engine before the vehicle is stopped (approximately 13 km/h or less). At the same time, the ENG A-STOP indicator light (green) will remain on.
 - The engine is not stopped automatically if all of the conditions to stop the engine automatically are not met, even if the brake pedal is pressed down to decelerate.
For details on the conditions for automatically stopping the engine, refer to “Conditions to stop the engine automatically” in this section.
 - To ensure safety when the engine is stopped automatically, the interior buzzer may sound and the engine will stall, or the engine may be restarted.



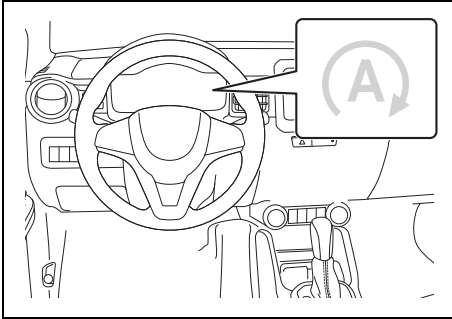
75RM234

NOTE:

- *The engine is not stopped automatically when decelerating without depressing the brake pedal, for example, by using engine braking.*
- *The engine may be stopped automatically when the vehicle is stopped, even if the engine is not stopped automatically before stopping the vehicle (approximately 13 km/h or less).*
- *Electrical components, such as the navigation system or audio system, can be used while the engine has been stopped automatically, however, the air conditioner switches to the ventilation position.*
- *For the automatic heating and air conditioning system, airflow is limited (only under automatic operation) when the engine is stopped automatically, in order to improve the cooling and heating performance.*

- 2) When you remove your foot from the brake pedal, regardless of whether it is before or after stopping the vehicle, the engine is restarted and the ENG A-STOP indicator light (green) goes off.
 - The engine is restarted automatically if the conditions to restart the engine automatically are met, even if the brake pedal is depressed.
For details on the conditions for automatically restarting the engine, refer to “Conditions to restart the engine automatically” in this section.

OPERATING YOUR VEHICLE



75RM235

NOTE:

The hill hold control system is activated when the engine is restarted automatically.

Precautions of when the engine is stopped automatically

⚠ WARNING

Do not perform any of the following operations while the engine has been stopped automatically. This may result in an accident.

	Operation/Vehicle Condition	Solution
Common	<p>Engine hood opened</p> <ul style="list-style-type: none"> • The interior buzzer sounds intermittently. • After the engine is stopped automatically, it stalls. • The ENG A-STOP indicator light (green) goes off. 	<p>To restart the engine, follow the procedure below.</p> <ol style="list-style-type: none"> 1) Set the parking brake firmly, and then place the gearshift lever in the “N” position (for manual transmission) or “P” position (for CVT). 2) Securely close the engine hood. 3) Turn the ignition switch or press the engine switch to restart the engine.
Manual transmission	<p>Driver’s seat belt unfastened or driver’s door opened</p> <ul style="list-style-type: none"> • The engine is restarted automatically. • The ENG A-STOP indicator light (green) blinks 5 times, then goes off. 	<p>Fasten the driver’s seat belt and/or close the driver’s door.</p>
	<p>Gearshift lever shifted to a position other than “N” without depressing the clutch pedal, driver’s seat belt unfastened and driver’s door opened</p> <ul style="list-style-type: none"> • The interior buzzer sounds intermittently. • After the engine is stopped automatically, it stalls. • The ENG A-STOP indicator light (green) goes off. 	<p>To restart the engine, follow the procedure below.</p> <ol style="list-style-type: none"> 1) Set the parking brake firmly, and then place the gearshift lever in the “N” position. 2) Close the door and buckle the seat belt. 3) Turn the ignition switch or press the engine switch to restart the engine.

OPERATING YOUR VEHICLE

	Operation/Vehicle Condition	Solution
CVT	Driver's seat belt unfastened, or driver's door opened <ul style="list-style-type: none">• The engine is restarted automatically.• The ENG A-STOP indicator light (green) blinks 5 times, then goes off.	Before driving, close the door and buckle the seat belt. In addition, before getting out of the vehicle, follow the procedure below. <ol style="list-style-type: none">1) Set the parking brake firmly, and then place the gearshift lever in the "P" position.2) When the vehicle will be stopped for a long time or when you will leave the vehicle unattended, press the engine switch to stop the engine.

NOTE:

The following indicator lights in the instrument cluster do not come on when the engine is stopped automatically.

- *Malfunction indicator light, electric power steering light, oil pressure light, charging light*

Operating conditions of ENG A-STOP system

Standby conditions

If all of the following conditions are met while driving, the automatic engine stop will be permitted.

When the engine is started	<ul style="list-style-type: none"> • The engine is started with the engine hood securely closed. 	
When driving	Common	<ul style="list-style-type: none"> • The ENG A-STOP system is not deactivated (OFF). • The battery is charged more than a certain amount, and the temperature inside the battery is within the specified range. (#1) • The engine coolant temperature is within the specified range. • The driver's seat belt is fastened. • The driver's door is securely closed. • The engine hood is securely closed. <p><Vehicle with automatic heating and air conditioning system></p> <ul style="list-style-type: none"> • The air from the outlets is sufficiently cooled while cooling or sufficiently warmed while heating. • The defroster is turned off.
	Manual transmission	<ul style="list-style-type: none"> • There is no signal to prevent stopping the engine from any electronic control systems other than the ENG A-STOP system. (#2)
	CVT	<ul style="list-style-type: none"> • The gearshift lever is in the "D" or "N" position. (#3) • The manual mode is not in use. • There is no signal to prevent stopping the engine from any electronic control systems other than the ENG A-STOP system.

#1: If the battery is discharged, for example, if the vehicle has not been used for a long time or electrical components, such as the navigation system or audio system, have not been used for a long time while the engine was stopped, it may take some time until the system can be in standby.

#2: If any of the warning and indicator lights affecting the ENG A-STOP system come on, the engine will not be stopped automatically.

#3: The system will be in standby even though the gearshift lever is in the "N" position, however, the engine will be stopped automatically when the vehicle is stopped, instead of when it is decelerating (approximately 13 km/h or less) before stopping.

OPERATING YOUR VEHICLE

Conditions to stop the engine automatically

If all of the following conditions are met while the standby conditions are met, the engine is stopped automatically when the vehicle is decelerating before stopping or when the vehicle is stopped.

When decelerating before stopping	Manual transmission	<ul style="list-style-type: none"> The clutch pedal is depressed, the gearshift lever is shifted into “N” position, and then the clutch pedal is released when the vehicle speed is approximately 15 km/h (9 mph) or less.
	CVT	<ul style="list-style-type: none"> The ABS or ESP[®] system has not been activated. Brake booster vacuum pressure is normal. The brake pedal is sufficiently depressed. (#) The vehicle is decelerating to a speed of approximately 13 km/h (8 mph) or less. The accelerator pedal is not depressed. The vehicle is not being driven on a steep hill. The brake is not applied abruptly.
When the vehicle is stopped	Manual transmission	<ul style="list-style-type: none"> The gearshift lever is in “N” position. The clutch pedal is released.
	CVT	<ul style="list-style-type: none"> The ABS or ESP[®] system has not been activated. Brake booster vacuum pressure is normal. The brake was not applied abruptly before the vehicle was stopped. The brake pedal is sufficiently depressed. (#) The accelerator pedal is not depressed. The vehicle is not stopped on a steep hill.

#: The engine may not be stopped automatically if the brake pedal was depressed lightly or strongly.

Conditions to restart the engine automatically

If any of the following vehicle conditions occur or operations are performed while the engine is stopped automatically, the engine is restarted automatically and the ENG A-STOP indicator light (green) goes off.

Common		<ul style="list-style-type: none"> • The ENG A-STOP system is deactivated (OFF). • The battery continues to be discharged. (#1) • A malfunction was detected in this system. (#2) • Brake booster vacuum pressure is low. (#1) • The temperature of the air from the outlets changes greatly, or the cooling and heating performance is insufficient. (#1) • The temperature selector was greatly set toward COOL while cooling or greatly set toward HOT while heating. (#1) • The defroster is turned on. (#1)
Manual transmission		<ul style="list-style-type: none"> • The clutch pedal is depressed.
CVT		<ul style="list-style-type: none"> • The foot is removed from the brake pedal. (#3) • The accelerator pedal is depressed. • The gearshift lever is placed in the “P”, “R” or “M” position.
When decelerating (approximately 15 km/h (9 mph) or less for manual transmission vehicles, approximately 13 km/h (8 mph) or less for CVT vehicles)	Common	<ul style="list-style-type: none"> • The engine hood was opened.
	Manual transmission	<ul style="list-style-type: none"> • The vehicle speed exceeds 15km/h (9 mph) when going down a slope. (#1)
	CVT	<ul style="list-style-type: none"> • The gearshift lever is placed in the “N” position. • The slope of the road suddenly changes. (#1)
When the vehicle is stopped	Common	<ul style="list-style-type: none"> • The driver’s seat belt is unfastened. (#1) • The driver’s door is opened. (#1) • The vehicle is moving along a slope. (#1) • Some time (about 3 minutes) has passed since the engine was stopped automatically. (#1)
	CVT	<ul style="list-style-type: none"> • After the gearshift lever is placed in the “N” position, it is returned to the “D” position.

OPERATING YOUR VEHICLE

#1: After the ENG A-STOP indicator light (green) blinks, it goes off. Also, the interior buzzer may sound at the same time.

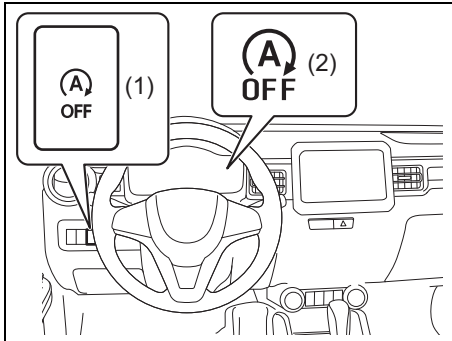
#2: Depending on the situations of malfunction, it is a normal restart or the restart as #1.

#3: The engine may be restarted automatically when the brake pedal is depressed lightly. In this case, when the brake pedal is depressed again, the engine is stopped automatically and the ENG A-STOP indicator light (green) comes on again.

ENG A-STOP OFF switch

This switch can deactivate (OFF) the ENG A-STOP system.

- To deactivate the system, push the ENG A-STOP OFF switch (1). The ENG A-STOP OFF indicator light (2) in the instrument cluster comes on.
- To activate the system again, push the switch again until the indicator light goes off.
- Each time the engine is stopped manually, the system is activated, and the ENG A-STOP OFF indicator light goes off.

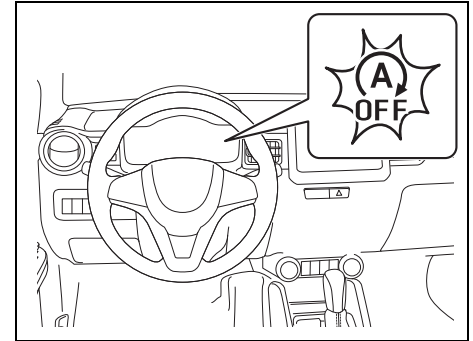


75RM307

NOTE:

If the ENG A-STOP OFF switch (1) is pushed while the engine has been stopped automatically, the engine is restarted automatically and the ENG A-STOP OFF indicator light (2) comes on.

- The ENG A-STOP OFF indicator light (orange) in the instrument cluster comes on or blinks in the following cases, not only to warn you that the ENG A-STOP system is deactivated. If it blinks, have the vehicle serviced by a SUZUKI dealer.
 - If the system is operating normally when the ignition switch is turned to the “ON” position or the engine switch is pressed to change the ignition mode to ON, the indicator light comes on for approximately 2 seconds, then goes off.
 - If there is something wrong with the system, or if it is time to replace the battery, the indicator light will blink when the ignition switch is turned to the “ON” position or the engine switch is pressed to change the ignition mode to ON. (The ENG A-STOP system will not work properly.)



75RM237

NOTE:

If the indicator light blinks when the engine has been stopped automatically by the ENG A-STOP system, the engine may stall.

OPERATING YOUR VEHICLE

SHVS (Smart Hybrid Vehicle by Suzuki)

The SHVS (Smart Hybrid Vehicle by Suzuki) of this vehicle is a system that uses generators with motor function (ISG) to operate the following functions according to the driving situations, to increase quietness of the engine and fuel efficiency. ISG stands for Integrated Starter Generator.

- **Deceleration energy regenerating function:**

This function generates intensively during deceleration by using the ISG. When generation while driving is not required, the ISG can be stopped to reduce the load on the engine, leading to improved fuel economy.

- **Motor assistance function:**

This function assists the engine by using the ISG as a motor to reduce the power output of the engine, leading to improved fuel economy.

- **Starter motor function:**

This function restarts the engine after being stopped by the ENG A-STOP system by using the ISG through the drive belt.

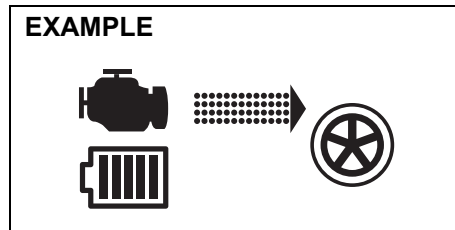
NOTE:

When you restart the engine by pushing the engine switch, the ordinary starter motor is used and you will hear a gear engagement noise.

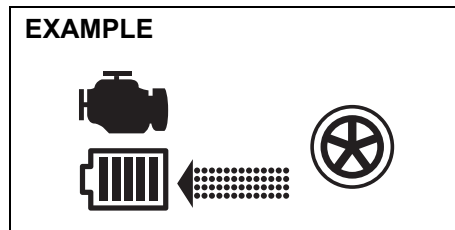
Energy flow indicator

With the energy flow indicator in the instrument cluster, you can check whether or not the ISG is functioning.

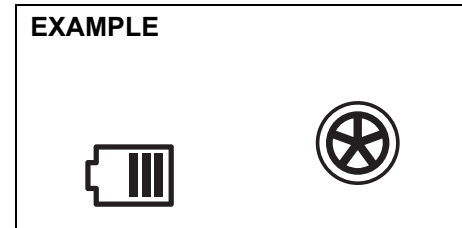
- Normal driving conditions:
The ISG is not functioning.



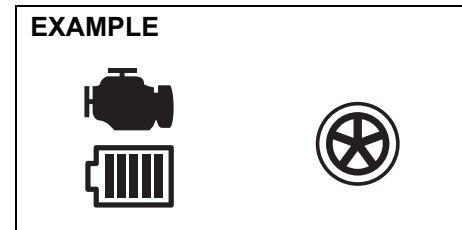
- The deceleration energy regenerating function is functioning while the vehicle is decelerated in normal driving conditions:
The batteries are being charged.



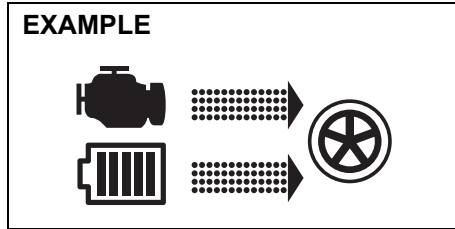
- Engine has been automatically stopped when the vehicle is stopped:
Stored power is being used by electrical components, such as the audio system, without the batteries being charged.



- The starter motor function is functioning when the engine has been automatically stopped:
Stored power is being used by the ISG, without the batteries being charged.



- The motor assistance function is functioning during moderate accelerating: The ISG assists the engine.



81P40300

If all of the following conditions are met, the motor assistance function is functioning.

- To accelerate, the accelerator pedal is a bit more depressed.
- For manual transmission, the gearshift lever is in a position other than “N” (Neutral).
- For CVT, the gearshift lever is in the “D”, “M” or “L” position.
- The brake pedal and/or clutch pedal (if equipped) is (are) not depressed.
- For CVT, when driving with the vehicle speed from right after starting to about 100 km/h and the engine revolution is lower than about 3900 rpm.
- The time has elapsed one second or more from the previous operation of the motor assistance function.
- The ABS or ESP[®] system has not been activated.

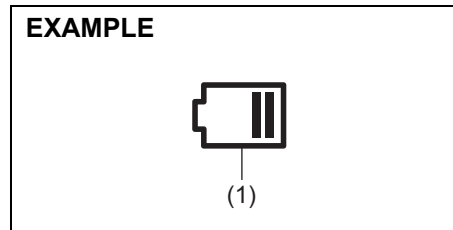
- The lithium-ion battery is charged more than a certain amount, and the temperature inside the battery is within the specified range.
- The engine coolant temperature is within the specified range.

NOTE:

When the accelerator pedal is depressed all the way down for quickly accelerating, the motor assistance function will not operate.

Battery indicator

The segments in the battery indicator (1) give an approximate indication of the charge of the lithium-ion battery.

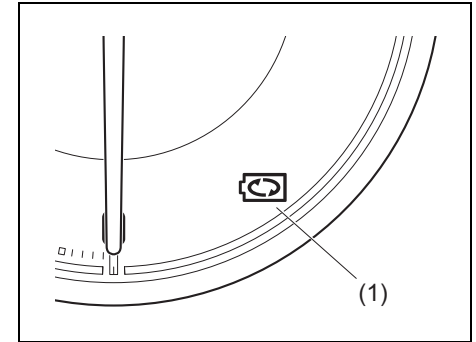


81P40310

NOTE:

The energy flow indicator gives an approximate indication. The indication may be delayed or inaccurate under certain conditions, for example, when the outside temperature is low.

Deceleration energy regenerating indicator light



62R0361

When the deceleration energy regenerating function is working, the deceleration energy regenerating indicator light (1) comes on.

NOTE:

- *If the gearshift lever is in the “N” (Neutral) position, this light does not come on.*
- *You can choose that this light comes on or does not come on via the setting mode of the information display. For details on how to use the information display, refer to “Information display” in the “BEFORE DRIVING” section.*

OPERATING YOUR VEHICLE

Eco-Cool (if equipped)

When driving while using the air conditioner, cold air is stored in the cooling storage medium of the air conditioner unit. Since stored cold air will be blown into the vehicle when the engine has been stopped automatically by the ENG A-STOP system, the rise of the inside temperature can be reduced when the air conditioner is not running.

For the automatic heating and air conditioning system, reducing the rise of the inside temperature increases the length of time that the engine is stopped automatically, leading to improved fuel economy.

NOTE:

Sufficient amount of cold air may not be stored when the vehicle has just started to run or gets stuck in a traffic jam.

I/S AC Settings (if equipped)

- When using the automatic heating and air conditioning system (if equipped), you can select one of the following settings via the setting mode of the information display.
 - Standard
 - Economy
 - ComfortFor details on how to use the information display, refer to “Information display” in the “BEFORE DRIVING” section.
- When “Economy” is selected, engine auto stop condition is eased, compared with “Standard”. Engine auto stop condition will occur more frequently and the stop time will be longer, leading to reduction of fuel consumption.
- When “Comfort” is selected, engine auto stop condition becomes severe, compared with “Standard”. Engine auto stop condition will occur less frequently and the stop time will be shorter, leading to more comfortable cabin condition by air conditioner.

Cruise control (if equipped)

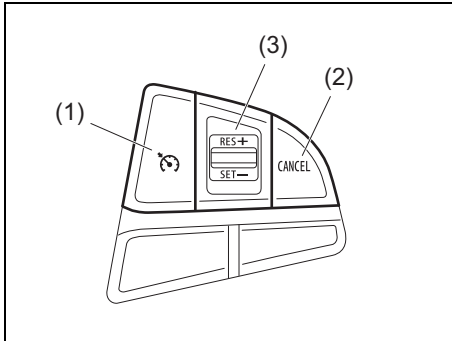
The cruise control system allows you to maintain a steady speed without keeping your foot on the accelerator pedal. The controls for operating the cruise control system are on the steering wheel.

You can use the cruise control system under the following conditions:

- For manual transmission vehicle, the gear position is in 3rd, 4th or 5th.
- For CVT vehicle, the select lever is in “D” position, or the gear position is in 3rd, 4th, 5th, 6th or 7th in the manual mode (if equipped).
- The vehicle speed is about 45 km/h (28 mph) or higher.

 **WARNING**

To help avoid loss of vehicle control, do not use the cruise control system when driving in heavy traffic, on slippery or winding roads, or on steep downhills.



75RM114

- (1) Cruise switch
- (2) "CANCEL" switch
- (3) "RES +/SET -" switch

Setting cruising speed

- 1) Turn on the cruise control system by pushing cruise switch (1). When the cruise indicator (4) (for instrument cluster with tachometer) or cruise indicator light (6) (for instrument cluster without tachometer) comes on, you can set cruising speed.
- 2) Accelerate or decelerate to the desired speed.
- 3) Push down the "RES +/SET -" switch (3) and turn on the set indicator (5) (for instrument cluster with tachometer) or "SET" indicator light (7) (for instrument cluster without tachometer). Take your foot off the accelerator pedal and the set speed will be maintained.

WARNING

If the cruising speed is set by accident, you cannot decelerate or could lose control of the vehicle. This could lead to an accident, resulting in severe injury or death. Turn off the cruise control system and check that the cruise indicator (4) or cruise indicator light (6) is off when the system is not in use.

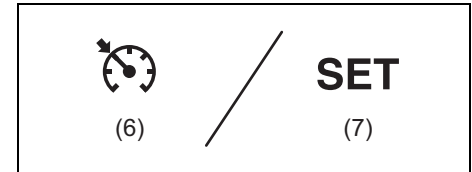
Instrument cluster with tachometer



75RM115

- (4) Cruise indicator
- (5) Set indicator

Instrument cluster without tachometer



75RM329

- (6) Cruise indicator light
- (7) "SET" indicator light

When you push cruise switch (1), the system is on and the cruise indicator (4) or cruise indicator light (6) will come on. When the vehicle's speed is controlled by the cruise control system, the set indicator (5) or "SET" indicator light (7) will come on.

OPERATING YOUR VEHICLE

Be careful of the following when operating with the cruise control

Even if your vehicle is equipped with the dual camera brake support, it cannot automatically adjust to the speed of the vehicle in front of you. Turn off the cruise control system if you cannot operate safely at a cruising speed.

Even in the following conditions, the set indicator (5) will not go off and the cruising speed will not be canceled.

- When the frontal collision warning is working. If you depress the brake pedal, the cruise speed will be canceled temporarily.
- When the stereo camera detects dirt on the windshield and the dual camera brake support stops functioning. For safety purposes, push the cruise switch (1) to turn off the cruise indicator (4).

If the automatic brake system is working, the cruise indicator (4) will turn off and the cruise control system will be canceled. Once you have determined that the conditions are once again safe, reset the cruise speed.

Changing speed temporarily

When the cruising speed is maintained, you can temporarily accelerate or decelerate.

To accelerate, depress the accelerator pedal. When you take your foot off the pedal, your vehicle will return to the set speed.

To decelerate, depress the brake pedal. The set speed will be canceled and the set indicator (5) or “SET” indicator light (7) will go off.

To resume the previously set speed, push up the “RES +/SET –” switch (3) and turn on the set indicator (5) or “SET” indicator light (7) again when vehicle speed is above 45 km/h (28 mph). The vehicle will accelerate to and maintain the previously set speed.

NOTE:

For CVT with manual mode, when the cruising speed is maintained, you cannot decelerate by using the engine brake even if you downshift from higher gear to 3rd in the manual mode.

To decelerate while the cruise control is on, depress the brake pedal or push down the “RES +/SET –” switch (3).

Changing cruising speed

Using the accelerator pedal

To reset at a faster cruising speed, accelerate to the desired speed using the accelerator pedal and push down the “RES +/SET –” switch (3). The new speed will be maintained.

Using the brake pedal

To reset at a slower cruising speed, decelerate to the desired speed using the brake pedal and push down the “RES +/SET –” switch (3). The new speed will be maintained.

NOTE:

When the brake pedal is depressed, the set indicator (5) or “SET” indicator light (7) goes off until the cruising speed is reset.

Using “RES +/SET –” switch

To reset at a faster cruising speed, press repeatedly or hold push up the “RES +/SET –” switch (3). Vehicle speed will steadily increase. When you release the switch, the new speed will be maintained.

To reset at a slower cruising speed, press repeatedly or hold push down the “RES +/SET –” switch (3) until the vehicle has slowed to the desired speed, and then release the switch. The new speed will be maintained.

NOTE:

You can adjust the set speed by approximately 1.5 km/h (0.9 mph) by pushing “RES +/SET –” switch quickly.

Canceling cruise control

The set indicator (5) or “SET” indicator light (7) will go off and the cruise control will be canceled temporarily with the following conditions:

- Push “CANCEL” switch (2).
- Depress the brake pedal.
- For manual transmission, depress the clutch pedal.
- For CVT, downshift from 3rd to 2nd in the manual mode (if equipped).
- The vehicle speed falls more than about 20 percent from the set speed.
- Any time the vehicle speed falls below 40 km/h (25 mph).
- When the vehicle skids and ESP® (if equipped) is activated.

To resume the previously set speed, push up the “RES +/SET –” switch (3) and turn on the set indicator (5) or “SET” indicator light (7). The vehicle speed must be above 45 km/h (28 mph) when the vehicle is not under the above conditions.

To turn off the cruise control system, push cruise switch (1) and check that the cruise indicator (4) or cruise indicator light (6) is off.

Also, if the malfunction indicator light in the instrument cluster comes on or blinks, the cruise control system will be turned off.

NOTE:

If you turn off the cruise control system, the previously set speed in the memory is cleared. Reset your cruising speed again.

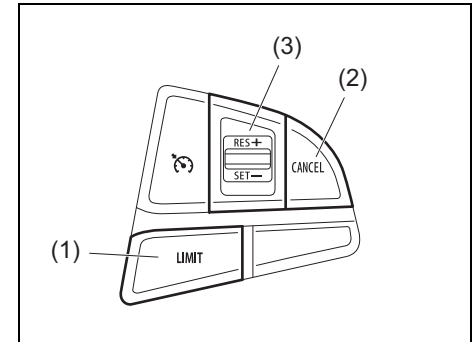
Speed limiter (if equipped)

EXAMPLE



54P000363

The speed limiter allows you to choose a maximum speed that you do not wish to exceed.



75RM116

- (1) “LIMIT” switch
- (2) “CANCEL” switch
- (3) “RES +/SET –” switch

OPERATING YOUR VEHICLE

Setting maximum speed

- 1) Turn on the speed limiter system by pushing “LIMIT” switch (1). When the limit indicator (4) comes on, you can set the maximum speed.
- 2) Accelerate or decelerate to the desired speed.
- 3) Push down the “RES +/SET –” switch (3) and turn on the set indicator (5). The current vehicle speed is set as the maximum speed.

NOTE:

If you push down the “RES +/SET –” switch (3) when the vehicle speed is less than 30 km/h or 20 mph, the maximum speed will be set to 30 km/h or 20 mph.

Information display

EXAMPLE



(4) (5) (6)

75RM117

- (4) Limit indicator
- (5) Set indicator
- (6) Speed indication

When you push “LIMIT” switch (1), the system is on and the limit indicator (4) will come on. When the vehicle's maximum speed is set, the set indicator (5) will come on.

Exceeding maximum speed

You can exceed the maximum speed temporarily by **quickly** depressing the accelerator pedal **all the way down**. While the vehicle speed is exceeded, the speed indication (6) on the information display will flash and the buzzer will sound briefly. If the accelerator pedal is released to return below the maximum speed, the speed indication (6) will stop flashing and then stay lit, and the function will restore.

NOTE:

- When you depress the accelerator pedal slowly, the vehicle speed may not exceed the maximum speed. If you wish to exceed the maximum speed, depress the accelerator pedal all the way down quickly or push “CANCEL” switch (2) to cancel the maximum speed temporarily.
- The speed indication (6) will also flash and the buzzer will sound if the speed limiter cannot prevent the vehicle from exceeding the maximum speed in such cases as when going down a steep hill, or under excessive acceleration. In this case, decelerate to return below the maximum speed using the brake pedal.

Changing speed setting

Setting to the current speed

- 1) Push “CANCEL” switch (2).
- 2) Accelerate or decelerate to the desired speed.
- 3) Push down the “RES +/SET –” switch (3) and turn on the set indicator (5). The current vehicle speed is set as the maximum speed.

Using “RES +/SET –” switch

To change to a faster speed, press repeatedly or hold push up the “RES +/SET –” switch (3).

To change to a slower speed, press repeatedly or hold push down the “RES +/SET –” switch (3).

NOTE:

- You can adjust the set speed by 1 km/h or 1 mph by pushing “RES +/SET –” switch (3) quickly.
- You can adjust the set speed by 5 km/h or 5 mph by pushing and holding “RES +/SET –” switch (3)
- If the current vehicle speed exceeds the maximum speed when changing to the slower speed using “RES +/SET –” switch (3), the speed indication (6) will flash and the buzzer will sound.

Canceling speed limiter

- To cancel the speed limiter, push “CANCEL” switch (2). The set indicator (5) will go off.
- To resume the previously set speed, push up the “RES +/SET -” switch (3) and turn on the set indicator (5).

To turn off the speed limiter system, push “LIMIT” switch (1) and check that limit indicator (4) is off.

Also, you can turn off the speed limiter by turning off the engine.

NOTE:

If you turn off the speed limiter system, the previously set speed in the memory is cleared. Set your speed again.

SUZUKI SAFETY SUPPORT (if equipped)

Dual camera brake support (if equipped)

Dual camera brake support is a system that detects obstacles or partition lines in front of your vehicle by the stereo camera, attempts to avoid a collision by giving warning to the driver, and attempts to reduce damage in the event of a collision.

⚠ WARNING

- Dual camera brake support has limits and may not function properly depending on the driving conditions. Do not rely excessively on the system and always drive in a safe manner.
- For safety reasons, do not check the operation of the system by yourself.
- Check that all passengers fasten their seat belts when the vehicle is being operated.
When the system is activated, there is a risk of serious injury from being thrown.

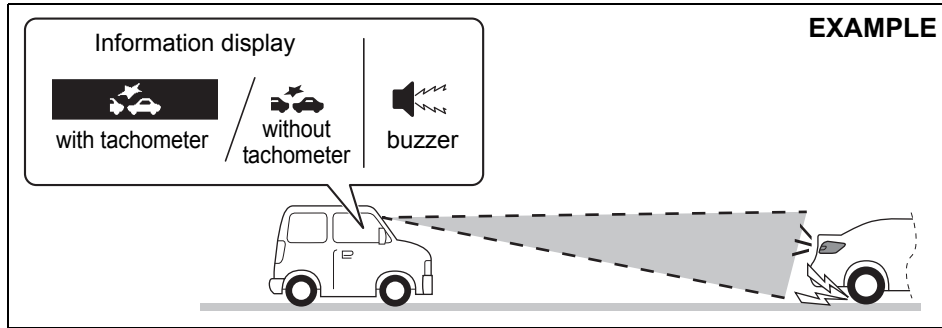
NOTE:

- While the system is working, if a vehicle in front of you moves outside of the stereo camera’s detection field or the vehicle can no longer be detected, the system may stop functioning.
- While the system is working, a braking sound may be heard even if you do not depress the brake pedal, but this is normal.

OPERATING YOUR VEHICLE

Frontal collision warning

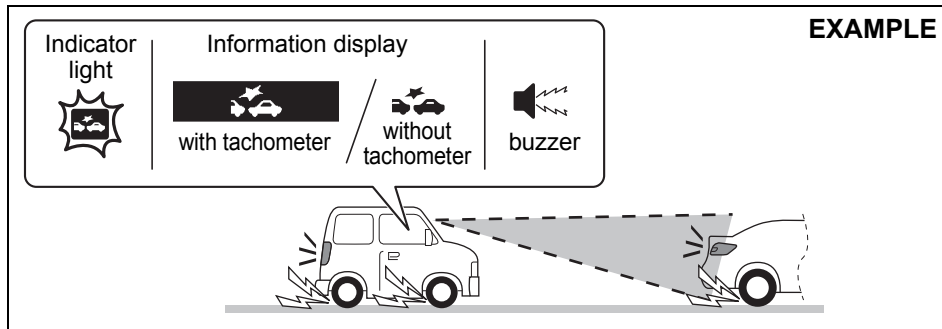
When there is a risk of a frontal collision, a warning will be given through the information display and sound.



75RM282

Warning brake system

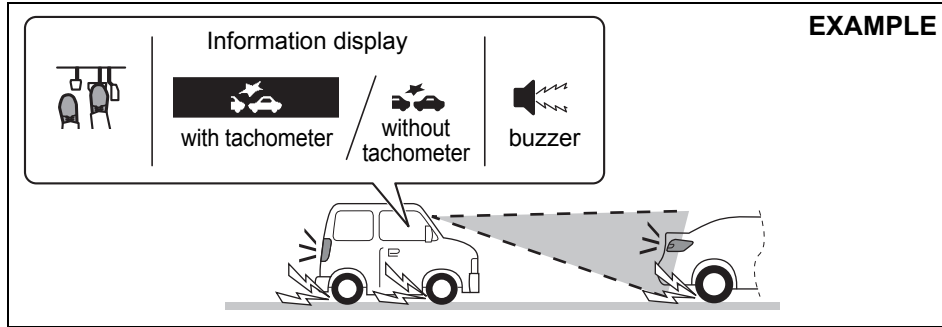
If the driver cannot take or is insufficient to take evasive action such as brake operation and steering operation after frontal collision warning activates, the system applies brake lightly.



75RM283

Brake assist system

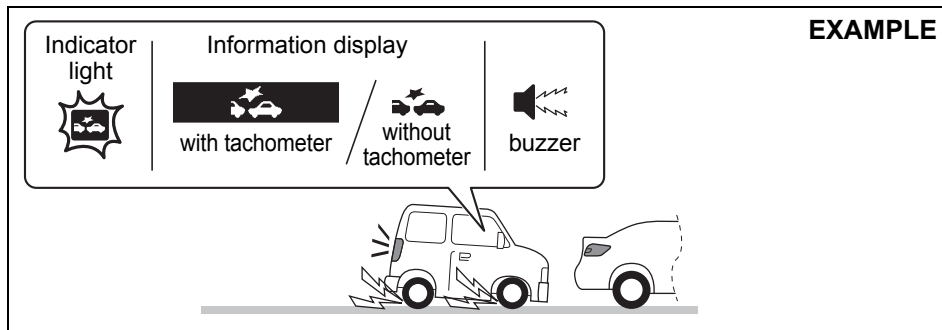
When there is high probability of a frontal collision, the brake assist system provides more powerful braking when you slam down on the brake pedal. Brake assist system might work at the same time as the warning brake system or automatic brake system.



75RM284

Automatic brake system

When a frontal collision is unavoidable, the brakes will operate powerfully and automatically. (#1)



75RM285

- (#1) After the vehicle has been stopped by the automatic brake system, the interior buzzer will continue to beep until the automatic brake system is released. Also, the indication on the information display and the dual camera brake support indicator light will go off about 3 seconds after the automatic brake system is released.

NOTE:
If you do not depress the clutch pedal when the vehicle has been stopped by the automatic brake system, the engine will stall.

OPERATING YOUR VEHICLE

Situations where the system does not activate

Under the following situations, the system does not activate.

- When the engine is off (except when the engine is automatically stopped by the ENG A-STOP system)
- After several seconds from starting the engine
- When the gearshift lever is in reverse gear (for manual transmission vehicles) or reverse position (for CVT vehicles)
- When the ESP[®] system is activated (except the frontal collision warning)
- When the following switches are pushed and the system is turned off:
 - Dual camera brake support OFF switch
 - ESP[®] OFF switch
- When the stereo camera is temporarily stopped or malfunctioning

Situations where the system may not activate properly

Under the following situations, the system may not activate.

- When the stereo camera cannot detect obstacles in front of your vehicle
- When you take evasive action with the steering wheel or accelerator pedal

Situations where the vehicle may not decelerate properly

Under the following situations, the vehicle may not decelerate properly even when the system is activated.

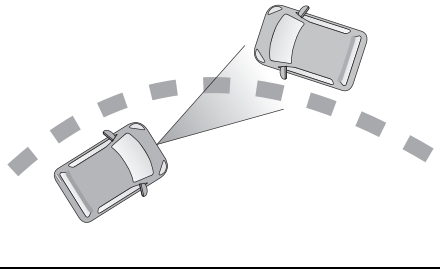
- When the outside temperature is low, or when the temperature of the brake is low such as right after starting
- When the brake is overheating and the brake effect is deteriorated due to continuing to travel on a downhill
- When the brake effect is deteriorated due to wet brake after passing over puddles or washing the vehicle
- When driving on the following roads
 - On sharp curves or extremely rough surfaces
 - On a steep slope
- When driving on the following slippery surfaces
 - Frozen or snow-covered surfaces
 - Over manholes or metal construction plates
 - Gravel
- When driving when it rains

Situations where the system may activate by chance

Under the following situations, the stereo camera may judge that there is an obstacle in front of you, and the system may activate. Drive carefully and calmly.

- When passing through a toll booth, exceeding the regulation speed
- Before the parking lot gates or railroad crossing gates are opened fully
- When operating on hills that have varying slopes
- When you suddenly accelerate and approach the vehicle in front of you or on neighboring lane
- When exhaust gas from the vehicle in front of you or on an oncoming lane, water, snow, water vapor, sand or smoke obstructs your front field of view
- When passing through masses of water vapor or smoke
- When stopping close to an obstacle in front of you
- When passing through near a vehicle or obstacle

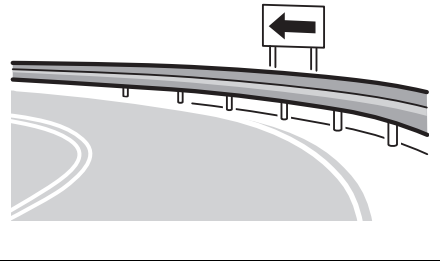
EXAMPLE



54P000330

- When you pass by an oncoming vehicle on a curvy road

EXAMPLE



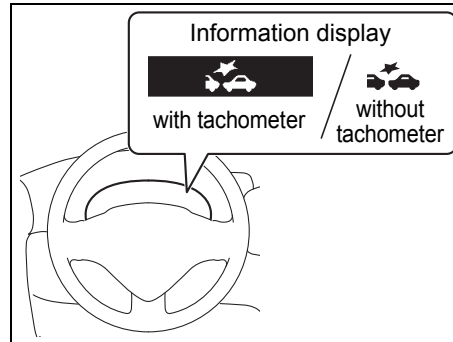
54P000332

- When there is a roadside guard rail, or sign, on a curve
- When approaching a large shaped floating object such as a vinyl sheet which is blown by the wind.

Frontal collision warning

When you are operating at a speed of approximately 5 km/h (3 mph) or over and there is a risk of a frontal collision, a warning will work.

- The interior buzzer will intermittently beep and the indication on the information display will appear.



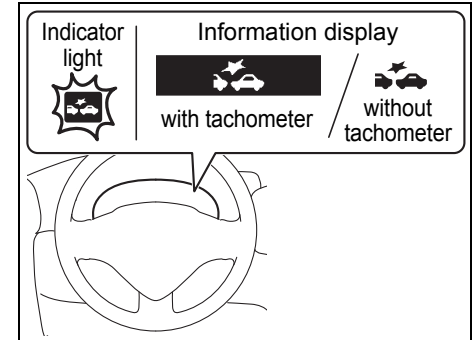
75RM286

- When the frontal collision warning sounds, depending on the distance from the vehicle in front of you and driving conditions, take evasive action with the steering wheel or brake pedal.

Warning brake system

When you are operating at speeds between approximately 5 km/h to 120 km/h (3 mph to 75 mph) and if the driver cannot take or is insufficient to take evasive action such as brake operation and steering operation after frontal collision warning activates, the system applies brake lightly.

- While the warning brake system is working, the interior buzzer will intermittently beep, the dual camera brake support indicator light will blink, the indication on the information display will appear, and the brake lights will be turned on.



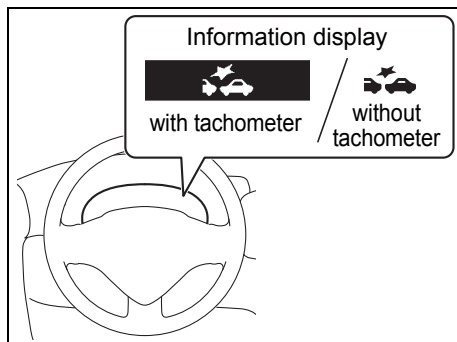
75RM287

- While the warning brake system is working, depending on the distance from the vehicle in front of you and driving conditions, take evasive action with the brake pedal.

OPERATING YOUR VEHICLE

Brake assist system

When you are operating at speeds between approximately 10 km/h to 120 km/h (6 mph to 75 mph) and there is a high probability of a frontal collision, the brake assist system provides more powerful braking when you slam down on the brake pedal. When the brake assist system works, the frontal collision warning also works at the same time.

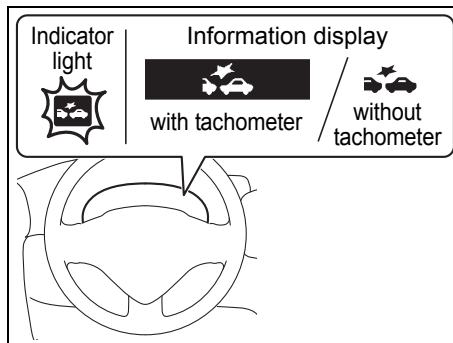


75RM286

Automatic brake system

When a frontal collision is judged to be unavoidable at a speed of approximately 120 km/h (75 mph) or under, operate powerfully and automatically.

- When the automatic brake system is activated at a speed of approximately 50 km/h (31 mph) or under toward the vehicle in front of you (or toward the pedestrian, approximately 30 km/h (19 mph) or under), collisions may be avoidable.
- While the automatic brake system is working, the interior buzzer will intermittently beep, the dual camera brake support indicator light will blink rapidly, the indication on the information display will appear, and the brake lights will be turned on.



75RM287

NOTE:

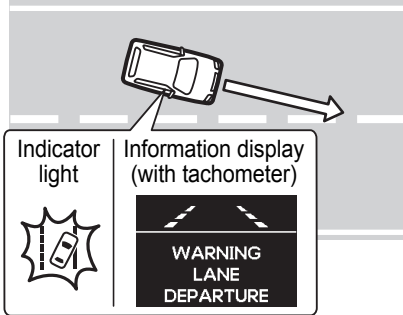
The indication on the information display and the dual camera brake support indicator light will go off 3 seconds after the automatic brake system is released.

Lane departure warning

When you are operating at a speed of approximately 60 km/h (37 mph) or over and the stereo camera judges that your vehicle is to deviate from the running lane, the following warnings will work.

- The lane departure warning indicator light will blink
- A message will appear on the information display (for the instrument cluster with tachometer)
- The steering wheel will vibrate

EXAMPLE



75RM330

▲ WARNING

- **The lane departure warning may not be suitable for every situation. Also, the system is not designed to avoid the lane deviations automatically. Do not rely excessively on the system and always drive in a safe manner.**
- **Depending on road surface conditions, you may not feel the vibration of the steering wheel even when the lane departure warning works.**
- **For safety reasons, do not check the operation of the system by yourself.**

Situations where the system does not activate

Under the following situations, the system does not activate.

- After several seconds from starting the engine
- When the following switches are pushed and the system is turned off:
 - Lane departure warning OFF switch
 - ESP® OFF switch
- When the stereo camera is temporarily stopped or malfunctioning
- When the system judges your operation as the intentional lane change, such as operating the turn signal lights or after doing it

Situations where the system may not activate properly

Under the following situations, the system may not activate.

- When turning the steering wheel sharply or quickly
- When driving on sharp curves
- When depressing the brake pedal
- When depressing the accelerator pedal to accelerate
- During or right after using the hazard warning switch
- When you do not return to inside of the lane after the lane departure warning is activated
- When the electric power steering light comes on

If the stereo camera cannot detect partition lines except for the above situations, the system may also not activate. Refer to “Situations where the stereo camera may not activate properly” in this section for details.

OPERATING YOUR VEHICLE

Situations where the system may activate by chance

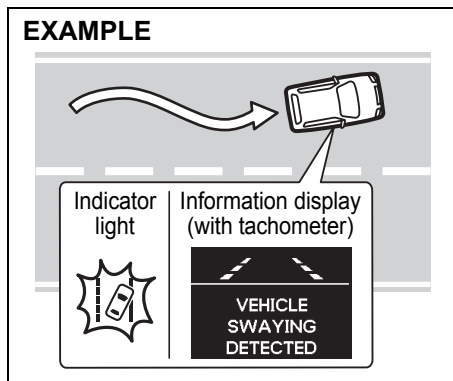
Under the following situations, the system may activate.

- When there is a shadow of guard rail
- When partition lines are drawn doubly
- When there is a liner paint on the road of a construction zone because the previous line has not been erased completely
- When there is repair marks on the road or a boundary between asphalt and snow
- When there is tyre tracks on snow-covered or wet road

Vehicle swaying warning

When you are operating at a speed of approximately 60 km/h (37 mph) or over and the vehicle swaying warning judges that you drive your vehicle unsteadily by detecting the meandering driving patterns in traffic lanes, the following warnings will work.

- The lane departure warning indicator light will blink
- A message will appear on the information display (for the instrument cluster with tachometer)
- The interior buzzer will intermittently beep



75RM331

⚠ WARNING

- **The vehicle swaying warning may not be suitable for every situation. Also, the system is not designed to avoid the unsteadiness of the vehicle automatically. Do not rely excessively on the system and always drive in a safe manner.**
- **For safety reasons, do not check the operation of the system by yourself.**

NOTE:

The unsteadiness of the vehicle is judged based on the driving data over the past few minutes, so the system does not activate right after the vehicle swaying.

Situations where the system does not activate

Under the following situations, the system does not activate.

- After several seconds from starting the engine
- When the following switches are pushed and the system is turned off:
 - Lane departure warning OFF switch
 - ESP® OFF switch
- When the stereo camera is temporarily stopped or malfunctioning

Situations where the system may not activate properly

Under the following situations, the system may not activate.

- When driving on continuous curves
- When the vehicle speed changes extremely
- Right after lane changing

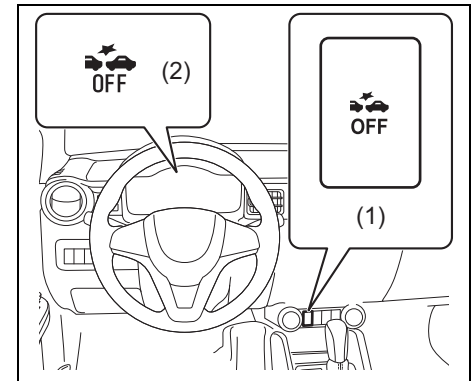
If the stereo camera cannot detect partition lines except for the above situations, the system may also not activate. Refer to “Situations where the stereo camera may not activate properly” in this section for details.

Dual camera brake support OFF switch

You can turn off the dual camera brake support.

- In the following situations, push and hold the dual camera brake support OFF switch as unexpected dangers may be possible if it is activated.
 - When the vehicle is placed upon a tester such as when undergoing a vehicle inspection
 - When the vehicle is put up on a lift, and the tyres are idling
 - When the vehicle is being towed
 - When the vehicle is being carried on a car carrier
 - When the vehicle is being operated on a race track
 - When there is vinyl curtains or pendulous branches in front of the vehicle
 - When driving in the field covered with grown grass
 - When using an automatic car washer
 - When the vehicle is placed upon a car elevator or placed in a mechanical parking lot
 - When a spare tyre or snow chains are equipped
 - When you have a temporarily repaired flat tyre
 - When you have an accident or breakdown
 - When the automatic brake system is activated more than necessary

- When tyres are not inflated to the recommended tyre pressure
- When tyres are severely worn
- When non-specified sized tyres or wheels are equipped
- When a modified suspension is equipped
- When attaching an item which interferes with the visibility of the stereo camera
- When the headlights are covered in dirt
- When the optical axis of the headlight is deviated
- When modified headlights and/or front fog lights are equipped
- When the vehicle is inclined by loading heavy items
- When the vehicle is used to tow a trailer



75RM308

OPERATING YOUR VEHICLE

- When you want to turn off the system, push and hold the dual camera brake support OFF switch (1) until the interior buzzer beeps and the dual camera brake support OFF indicator light (2) comes on.

Perform the following method to turn the system back on.

- Push and hold the dual camera brake support OFF switch (1) until the interior buzzer beeps and the dual camera brake support OFF indicator light (2) goes off.
- Turn off the engine and then turn it on again.

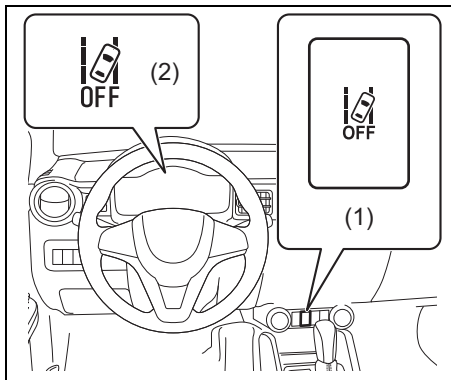
▲ WARNING

If you attempt to press the dual camera brake support OFF switch while driving, you could lose control of the vehicle.

Do not press the dual camera brake support OFF switch while driving.

Lane departure warning OFF switch

You can turn off the lane departure warning and the vehicle swaying warning.



75RM309

- When you want to turn off the system, push and hold the lane departure warning OFF switch (1) until the interior buzzer beeps and the lane departure warning OFF indicator light (2) comes on.

Perform the following method to turn the system back on.

- Push and hold the lane departure warning OFF switch (1) until the interior buzzer beeps and the lane departure warning OFF indicator light (2) goes off.

▲ WARNING

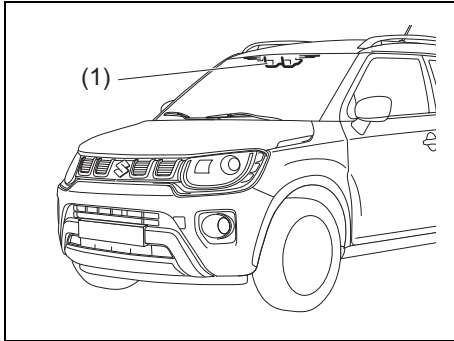
If you attempt to press the lane departure warning OFF switch while driving, you could lose control of the vehicle.

Do not press the lane departure warning OFF switch while driving.

NOTE:

Once the system is turned off, it does not turn on automatically, even if you turn off the engine and then start the engine again. To turn the system back on, push the switch again.

Handling stereo camera



73SB03010

(1) Stereo camera

⚠ WARNING

The detection performance of the stereo camera has limits and the stereo camera cannot detect all vehicles, obstacles or partition lines. Do not rely excessively on the system and always drive in a safe manner.

- Observe the following instructions in order to keep the stereo camera functioning properly. If mishandled, the stereo camera cannot accurately detect an obstacle or partition lines in front of you, the system will not function properly and accidents may occur.
 - Do not touch the lens of the stereo camera.
 - Do not clean the lens of the stereo camera by yourself.
 - Do not strike the body, or any surrounding parts of the stereo camera.
 - Do not remove or disassemble the stereo camera.
 - Do not stick or affix anything to the lens of the stereo camera, not even clear items.

(Continued)

⚠ WARNING

(Continued)

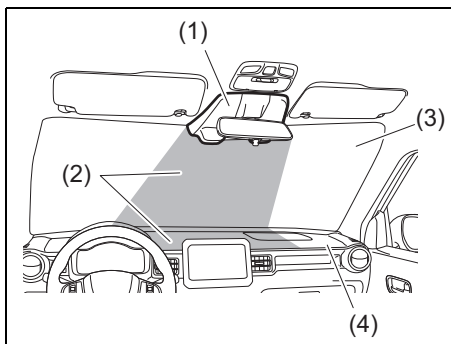
- When the surrounding parts of the stereo camera are deformed or damaged, or the windshield in front of the stereo camera is cracked because of an accident, the stereo camera cannot detect the front obstacles or partition lines properly. If you drive your vehicle with these damaged parts, the dual camera brake support will not function properly and accidents may occur. Operate the dual camera brake support OFF switch to turn off the dual camera brake support, and ask your SUZUKI dealer to have it inspected.

(Continued)

▲ WARNING

(Continued)

- Do not apply any accessories (other than SUZUKI genuine accessories), films or stickers to the area listed below. These may affect with visibility of the stereo camera. If the area of the stereo camera is obstructed, the stereo camera cannot detect any obstacles properly and the dual camera brake support may not function properly. Also, if applying them to an area other than the prohibited area, it may affect with the function of the stereo camera by reflection of light or an image. In this case, move them to another place.
 - On windshield
 - On dashboard
 - On engine hood



75RM373

- (1) Stereo camera
- (2) Prohibited area
- (3) Windshield
- (4) Dashboard

▲ CAUTION

In the following situations, the stereo camera cannot detect an obstacle in front of you and may not function properly.

- A remaining of wiping is on the windshield
- When a windshield glass other than SUZUKI genuine parts is used
- When a glass coating agent other than the agent recommended by SUZUKI is used

NOTICE

Observe the following instructions. If the lens of the stereo camera gets dirty, it may need to be replaced.






- Do not touch the lens of the stereo camera.
- Do not clean the lens of the stereo camera by yourself.

NOTE:

- The stereo camera has characteristics similar to the human eyes, so if the front visibility is poor caused by fog or heavy rain, etc., it is difficult for the stereo camera as well to detect a vehicle, obstacle or partition line in front of you.
- The detection of a vehicle, obstacle or partition line in front of you is limited within the range of vision of the stereo camera. Also, it takes a few seconds until the stereo camera judges an object as the target of the system operating and warning.

Temporary stop or failure of the stereo camera

The following chart shows the temporary stop or failure of the stereo camera.

		Stereo camera	
		Temporary stop	Failure
(1)		On	
(2)		On	
(3)	 (#1)	On	Off
		Off	On
(4)		Blinking	
(5)	NOT ACTIVE	On	Off

- (1) Dual camera brake support indicator light
- (2) Lane departure warning indicator light
- (3) Indication of information display (with tachometer)
- (4) Master warning indicator light (if equipped)/ Dual camera brake support warning light (if equipped)
- (5) Indication of information display (without tachometer)

#1: Depending on the cause of the temporary stop or failure, the following message may appear simultaneously.

EXAMPLE



75RM350

NOTE:

In the case of temporary stop or failure of the stereo camera, all of the following functions will be turned off.

- Dual camera brake support
- Lane departure warning
- Vehicle swaying warning

OPERATING YOUR VEHICLE

Temporary stop of the stereo camera

Under the following situations, the function of the stereo camera stops temporarily.

When the situations are improved, the temporary stop of the function will be canceled.

- When the visibility of the stereo camera is poor
- When the temperature of the body of stereo camera is low or high
- When the systems related to the dual camera brake support stops temporarily
- When the lead-acid battery has a voltage abnormality
- When the automatic adjustment of the stereo camera is insufficient

Failure of the stereo camera

When the stereo camera is failure, the function of the stereo camera stops until the ignition switch is turned to "LOCK" position or the engine switch is pressed to change the ignition mode to LOCK (OFF). Find a safe place to park and turn the ignition switch to "LOCK" position or change the ignition mode to LOCK (OFF) by pressing the engine switch.

Restart the engine, and check that the dual camera brake support indicator light and lane departure warning indicator light go off.

- If both of the indicators stay on after restarting the engine, there may be a failure of the stereo camera. Ask your SUZUKI dealer to have the stereo camera inspected.

The following situations are thought to be the causes of stereo camera failure.

- When the stereo camera has an abnormality
- When the temperature of the body of stereo camera is too low or too high
- When the mounting position of the stereo camera is shifted greatly
- When there are communication abnormalities among the engine, transmission and brake controller
- When the dual camera brake support OFF switch has an abnormality
- When the lane departure warning OFF switch has an abnormality
- When the steering angle sensor has an abnormality
- When the power supply of the stereo camera is cut

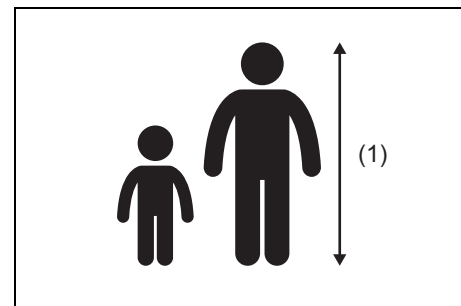
NOTE:

- *Under the following situations, the dual camera brake support indicator light and the lane departure warning indicator light come on after the engine has started. However, it does not indicate a malfunction. Once the ignition switch is turned to "LOCK" position or the engine switch is pressed to change the ignition mode to LOCK (OFF) and then the engine is restarted, these indicator lights will go off.*
 - *When the automatic brake system has been operated 3 times*
 - *When the automatic brake system has been operated for long hours*

- *The function of the stereo camera stops if the dual camera brake support indicator light and the lane departure warning indicator light come on and there may be a failure of the stereo camera, but it does not hinder normal driving.*

Pedestrian detection

The stereo camera detects pedestrians by whose size, shape or motion.



75RM238

(1) About 1 – 2 m (3.3 – 6.6 ft)

⚠ WARNING

Even when the detection conditions are satisfied, not all pedestrians may be detected by the stereo camera. In the following situations, the stereo camera cannot detect a person or there may be a high possibility of delayed detection. Always drive in a safe manner.

- A person who walks in a group
- A person who walks beside a wall or another obstacle
- A person who has an umbrella up
- A person whose color is similar to the background and who is blended into the scenery
- A person who has big luggage
- A person who walks with a stoop or who crouches.
- A person who is lying down
- A person who is in a dark place
- A person who jumps out in front of you

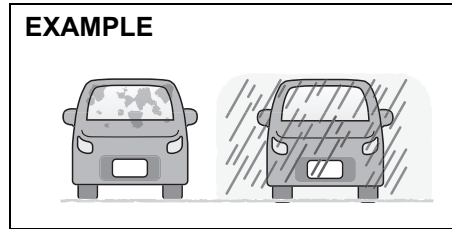
NOTE:

As the function of the dual sensor brake support is different depending on some on destinations or areas, there are types of vehicles with the function not to detect the pedestrians.

Situations where the stereo camera may not activate properly

In the following situations, there may be a high possibility that the stereo camera cannot detect front obstacles or partition lines. Also, the function of the stereo camera may stop temporarily. When the situations are improved, the temporary stop of the function will be canceled.

EXAMPLE

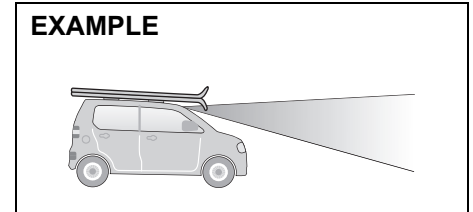


81M40380

- When there is bad weather such as heavy rain, fog or a blizzard
- When your vehicle front is hit by a bright light such as sunlight or the headlight of oncoming vehicle
- When there is a sight of similar tone and color such as a snowscape
- When there is a dark place and no landmark around
- Front visibility is poor due to that there is water vapor, sand or smoke or when the vehicle in front of you is surrounded by exhaust, water or snow
- When your vehicle gets close to an object in a dark place such as at dusk, at dawn or an indoor parking lot

- When the windshield is covered with fog, snow, ice or dirt
- When raindrop, water or dirt on the windshield is not wiped up enough
- While using the windshield washer
- When a wiper blade other than SUZUKI genuine parts, including short type wiper blade is used
- When a glass coating agent other than the agent recommended by SUZUKI is used
- When the upper side of the dashboard is coated with a gloss by using a chemical detergent
- When there are reflections to the windshield
- When the lens of the stereo camera is blocked by hands
- When the lens of the stereo camera gets dirty by finger marks

EXAMPLE

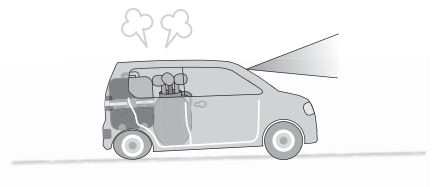


72M20423

- When the vision of the stereo camera is obstructed with the followings:
 - A sticker or film on the windshield
 - An accessory on the windshield
 - A crack or scratch of the windshield
 - A long object such as a roof carrier or ski board on the roof

OPERATING YOUR VEHICLE

EXAMPLE

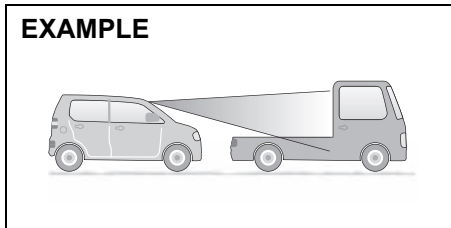


72M20405

- When your vehicle is weighed down by heavy items in the luggage compartment or rear seat
- When the tyres are not inflated to the recommended tyre pressure or the tyres are worn
- When snow chains or non-specified sized tyres are equipped
- When you have a temporarily repaired flat tyre
- When a modified suspension is equipped
- When passing through the entrance or exit of the tunnel and the brightness is changed extremely
- When driving without turning on the headlights at night or in tunnels
- When driving on a steep slope or sharp curves
- When the optical axis of the headlight is deviated
- When modified headlights and/or front fog lights are equipped
- When the headlights are covered with dirt, snow, ice or mud

When the following types of vehicles or obstacles are in front of you, or when the following situations occur, the stereo camera may not detect obstacles in front of you or may need more time to detect obstacles.

EXAMPLE

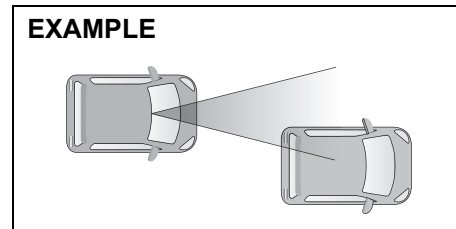


72M20407

- Vehicles in front of you have small, low, or uneven backs such as a car carrier trailer
 - A truck without side or back gates, and when mounting no luggage on the cargo bed
 - A vehicle with luggage protruding out from the back
 - A specially-shaped vehicle such as a car carrier trailer or a motorcycle with side car
 - A low-slung vehicle
- An oncoming vehicle or retreating vehicle
- A vehicle facing sideways
- A vehicle in front of you without turning on the headlights at night or in tunnels
- There is a wall in front of the parked vehicle

- There is another obstacle beside a vehicle
- A fence, wall or shutter which having no patterns or uniform patterns such as stripe patterns or brick patterns
- A pole-shaped object such as a road sign, a street lamp or a roadside tree
- Low-height obstacles
- A mirror wall, a mirror door or a glass wall
- Low-height objects such as small animals or small children
- Guard rails
- A pedestrian at night
- An object near the bumper of your vehicle

EXAMPLE



72M20406

- When only a part of the vehicle in front of you is within the stereo camera's detection field
- When the difference in speed between the vehicle in front of you and your vehicle is increased
- When the follow-up distance to the vehicle in front of you is short

- When the vehicle in front of you turns, accelerates or decelerates suddenly
- An object outside of the irradiation range of the headlights
- An object which jumps out in front of you
- When you change the lane and approach the preceding vehicle







When the following types of partition lines are in front of you, or when the following situations occur, the stereo camera may not detect the lines or may need more time to detect the lines.

- When the lane width is narrow
- When it is difficult to detect the lane
 - There is no partition line or faded line
 - The color of partition line is similar to the color of road
 - The width of partition line is narrow
- When the follow-up distance to the vehicle in front of you is short

OPERATING YOUR VEHICLE

Warning and indicator messages (for the instrument cluster with tachometer)

The information display shows the warning and indicator message to let you know about certain problems of the dual camera brake support.

Warning and indicator message	Master warning indicator light	Sound	Cause and remedy
 <p>75RM239</p>	<p>Blinks</p> 	<p>Beep (one time from interior buzzer)</p>	<p>There may be a problem with the stereo camera. If the message does not disappear after restarting the engine, have your vehicle inspected by a SUZUKI dealer.</p>
 <p>75RM240</p>	<p>Blinks</p> 	<p>Continuous beep (from interior buzzer)</p>	<p>The vehicle swaying warning is working. Operate the steering wheel to move the vehicle to the center of the lane.</p>
 <p>75RM241</p>	<p>Blinks</p> 	<p>Off</p>	<p>The lane departure warning is working. Operate the steering wheel to move the vehicle to the center of the lane.</p>

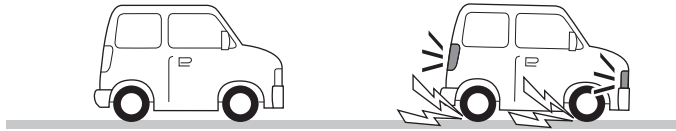
Emergency stop signal (ESS) (if equipped)

ESS stands for Emergency Stop Signal.

ESS is a feature that gives a warning to a following vehicle by flashing all turn signal lights faster than usual if all the following conditions are met. Also, within these conditions, it will flash along with turn signals in the instrument cluster.

- When you slam down on the brakes at speeds of approximately 55 km/h (34 mph) or over.
- When the ABS is activated or when the system judges that this is a sudden braking operation such as ABS activation.

EXAMPLE



74P40170

The ESS will stop functioning in the following situations:

- When the vehicle speed decreases enough
- When you release the brake
- When the ABS is no longer activated
- When you turn on the hazard warning switch

▲ WARNING

Although the ESS is designed to reduce the number of rear-end collisions that occur from sudden braking, by warning a following vehicle, it cannot prevent all collisions. Always make an effort to drive safely and avoid unnecessary sudden braking when stopping or decelerating.

NOTE:

- *The ESS feature cannot be deactivated.*
- *Operation of the hazard warning switch gives preference over the functions of ESS.*
- *When driving on the following surfaces and the ABS is activated for a moment the ESS may not function.*
 - *When driving on slippery surfaces*
 - *When driving over bumps on the road such as highway joint seams*

OPERATING YOUR VEHICLE

Rearview camera (if equipped)

When the gearshift lever is shifted to “R” position while the ignition switch is in “ON” position or the ignition mode is ON, the rearview camera system automatically shows the view behind the vehicle on the display.

▲ WARNING

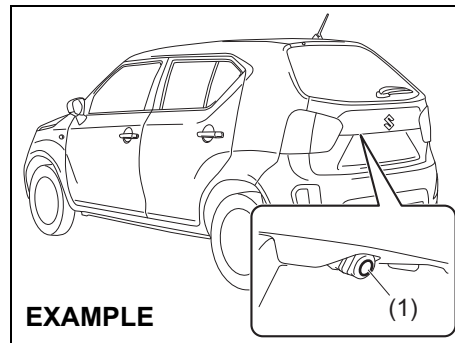
The distance viewed in the rearview camera may differ from the actual distance according to the condition of road or the load the vehicle is carrying. Since the camera display area is also limited, backing up by only looking at the display may cause an accident or a collision with an object. The rearview camera cannot replace the driver's attention. The driver alone is responsible for parking and similar driving maneuvers.

- Use the rearview camera only to provide driving assistance.
- Always drive carefully confirming the safety of the rear and the surrounding conditions by looking directly with your eyes and using the rear view mirror.
- Check that the tailgate is securely closed when backing up.

NOTICE

If you use the rearview camera for a long time when the ignition switch is in “ON” position or the ignition mode is ON, but the engine is not running, the lead-acid battery may discharge. Do not leave the ignition switch in “ON” position or the ignition mode ON for a long time when the engine is not running.

Rearview camera location



EXAMPLE

73SB03020

(1) Rearview camera

The rearview camera is installed beside the license plate light.

NOTICE

The rearview camera is a precision instrument. If you strike the camera, it may be broken and cause damage resulting in a catch fire or a malfunction.

- Do not strike the camera.
- Do not remove snow or mud on the camera lens with a stick.

NOTICE

If water enters the rearview camera, it may cause a malfunction or catch fire.
Do not use high pressure water around the camera.

NOTICE

This lens is hard coated to prevent damage or discoloration. Damage or discoloration of lens may obscure the image.

- Do not use a brush to clean lens.
- Do not use alcohol, benzene or thinner to clean the lens.
- Do not use wax on the camera lens.

NOTE:

If body wax gets on the camera lens, wipe off the wax with a clean cloth dampened with mild detergent diluted with water, and then wipe the lens with a dry cloth.

How to use rearview camera

- 1) Turn the ignition switch to “ON” position or press the engine switch to change the ignition mode to ON.
- 2) Shift the gearshift lever in “R” position.
 - The display automatically shows the view behind the vehicle.
 - When the gearshift lever is shifted from “R” to another gearshift lever position, the display returns to the previous display.

NOTE:

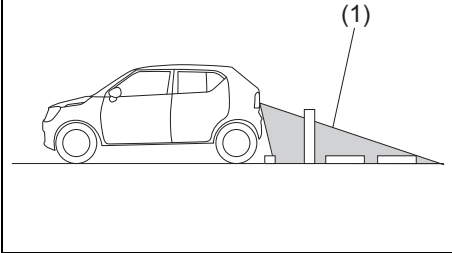
The rearview camera display has first priority in any display mode. However, the rearview camera display does not show the rear view while the system is initializing.

Display range of rearview camera

The rearview camera display shows the area behind the rear end of the tailgate. The display cannot show objects which are close to the bumper or under the bumper. The rearview camera display cannot show obstacles which are higher than the camera. Upper parts of tall objects such as road signs cannot be viewed on the display.

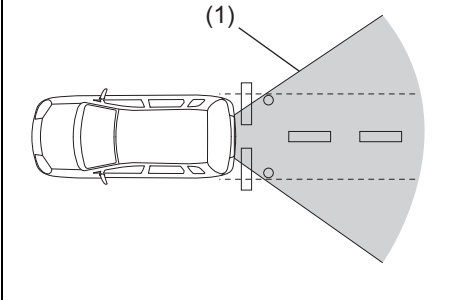
Display range of rearview camera

EXAMPLE



75RM293

EXAMPLE



54P000370

(1) Display range

OPERATING YOUR VEHICLE

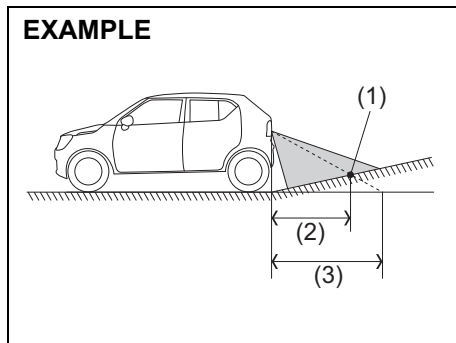
NOTE:

- Images shown on the display from the rearview camera are reversed images (mirror images).
- The colors of objects on the rearview camera may differ from the actual object colors.
- The rearview camera display may be difficult to see under the following conditions, but this is not a system malfunction.
 - In dark areas, on a rainy day or at night.
 - When the temperature around the lens is too high/low, or the camera is wet such as on a rainy day or during periods of high humidity (dew condensation may occur on the camera lens).
 - When a foreign object such as mud or a drop of water is stuck around the camera lens.
 - When strong light directly enters the camera (vertical lines may be seen on the display).
 - Under fluorescent light. (The display may flicker.)
 - When the outside temperature is low (the image on the display may be darkened).

Rearview camera screen indication

The distance viewed in the rearview camera may differ from the actual distance according to the condition of the road or the load the vehicle is carrying.

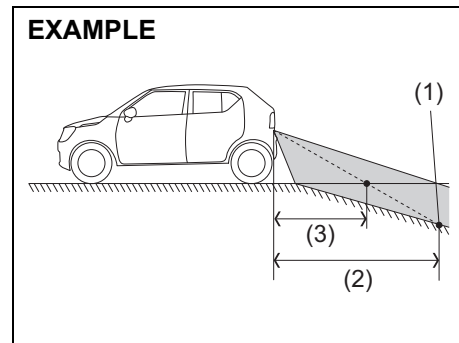
Uphill incline behind the vehicle



- (1) Object
- (2) Actual distance
- (3) Distance on the display

When there is an uphill incline behind the vehicle, the object shown on the display appears farther away than the actual distance.

Downhill incline behind the vehicle



- (1) Object
- (2) Actual distance
- (3) Distance on the display

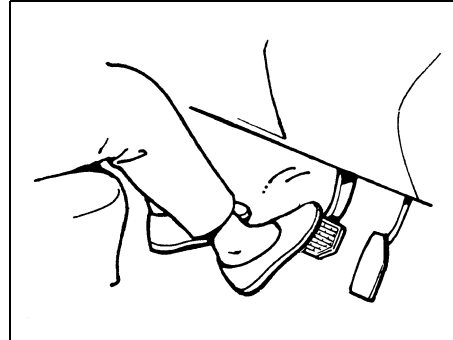
When there is a downhill incline behind the vehicle, the object shown on the display appears closer than the actual distance.

If the rear view from the rearview camera is not shown or the image from the rearview camera poor

- If the rear view from the rearview camera is not shown.
 - Check that the ignition switch is in “ON” position or the ignition mode is ON.
 - Check that the gearshift lever is shifted to “R” position.
- If the image from the rearview camera is poor.
 - Check that the camera lens is not dirty.
 - Check that light from the sun or the beam of the headlights from the vehicle behind is not shining directly into the lens.

If the rearview camera system is still not working properly after checking the above, have the system inspected by a SUZUKI dealer as soon as possible.

Braking



60G165S

The distance needed to bring any vehicle to a halt increases with the speed of the vehicle. The braking distance needed, for example, at 60 km/h (37 mph) will be approximately 4 times greater than the braking distance needed at 30 km/h (19 mph). Start to depress the brake pedal when there is plenty of distance between your vehicle and the stopping point, and slow down gradually.

▲ WARNING

If water gets into the brake devices, brake performance may become poor and unpredictable. After driving through water or washing the underside of the vehicle, test the brakes while driving at a slow speed to see if they have maintained their normal effectiveness. If the brakes are less effective than normal, dry them by repeatedly applying the brakes while driving slowly until the brakes have regained their normal effectiveness.

Power-assisted brakes

Your vehicle has power-assisted brakes. If power assistance is lost due to a stalled engine or other failures, the system is still fully operational on reserve power and you can bring the vehicle to a complete stop by pressing the brake pedal once and holding it down. The reserve power is partly used up when you depress the brake pedal and reduces each time the pedal is pressed. Apply smooth and even pressure to the pedal. Do not pump the pedal.

WARNING

Even without reserve power in the brake system, you can still stop the vehicle by pressing the brake pedal harder than normally required. However, the stopping distance may be longer.

Brake assist system

When you slam the brakes on, the brake assist system determines it to be an emergency stop and provides more powerful braking for a driver who cannot hold down the brake pedal firmly.

NOTE:

If you quickly and forcefully depress the brakes, you may hear clicking sound by the brake assist system operation. This is normal and indicates that the brake assist system is activated properly.

Anti-lock brake system (ABS)

ABS will help you avoid skidding by electronically controlling braking pressure. It will also help you maintain steering control when braking on slippery surfaces or when braking hard.

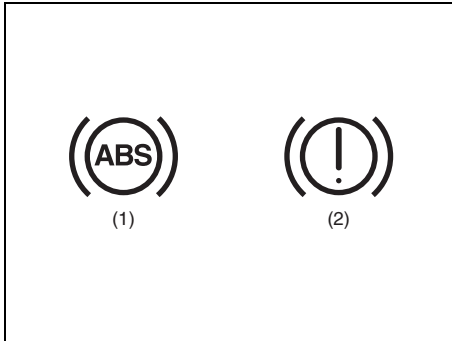
The ABS works automatically, so you do not need any special braking technique. Just push the brake pedal down without pumping. The ABS will operate whenever it senses that the wheels are locking up. You may feel the brake pedal pulsates while the ABS is operating.

NOTE:

- *The ABS will not work if vehicle speed is under about 9 km/h (6 mph).*
- *If the ABS system is activated, you may hear a clunking noise and/or feel pulsating in the brake pedal. This is normal and indicates that the brake fluid pressure is being controlled properly.*
- *You may hear an operation sound when you start the engine or after the vehicle begins to move. This means that the above systems are in the self-check mode. This sound does not indicate a malfunction.*

WARNING

- **On some types of loose surfaces (such as gravel, snow-covered roads, etc.), the stopping distance required for a vehicle with ABS may be slightly greater than the one required for a comparable vehicle with a conventional brake system. With a conventional brake system, skidding tyres are able to plow the gravel or snow layer, shortening the stopping distance. ABS minimizes this resistance effect. Allow for extra stopping distance when driving on loose surfaces.**
- **On regular paved roads, some drivers may be able to obtain slightly shorter stopping distances with conventional brake systems than with ABS.**
- **In both of the above conditions, ABS will still offer the advantage of helping you maintain directional control. However, remember that ABS will not compensate for bad road or weather conditions or poor driver judgment. Use good judgment and do not drive too fast.**



54MN069

- (1) ABS warning light
- (2) Brake system warning light

▲ WARNING

- If the ABS warning light (1) on the instrument cluster come on and stays on while driving, there may be a problem with the ABS system. Ask your SUZUKI dealer to inspect the ABS system immediately. If the ABS system becomes inoperative, the brake system will function as an ordinary brake system that has no ABS.
- If the ABS warning light (1) and the brake system warning light (2) on the instrument cluster simultaneously stay on or come on while driving, both anti-lock function and rear brake force control function (proportioning valve function) of the ABS system may have failed. If so, the rear wheels may easily skid or the vehicle can even spin in the worst case when braking on a slippery road or when hard braking even on a dry paved road. Ask your SUZUKI dealer to inspect the ABS system immediately. Drive carefully, avoiding hard braking as much as possible.

How ABS works

A computer continuously monitors wheel speed. The computer compares the changes in wheel speed when braking. If the wheels slow suddenly, indicating a skidding situation, the computer will change braking pressure several times each second to prevent the wheels from locking. When you start your vehicle or when you accelerate after a hard stop, you may hear a momentary motor or clicking noise as the system resets or checks itself.

▲ WARNING

The ABS may not work properly if tyres or wheels other than those specified in the owner's manual are used. This is because the ABS works by comparing changes in wheel speed. When replacing tyres or wheels, use only the size and type specified in this owner's manual.

Electronic stability program (ESP®) (if equipped)

ESP® is a registered trademark of Daimler AG.

The Electronic Stability Program (ESP®) helps to control the vehicle during cornering if front wheels or rear wheels skid. It also assists you in maintaining traction while accelerating on loose or slippery road surfaces. It does this by regulating the engine's output, and by selectively applying the brakes. In addition, ESP® helps to avoid skidding by controlling braking pressure.

WARNING

The ESP® cannot enhance the vehicle's driving stability in all situations and does not control your vehicle's entire braking system. The ESP® cannot prevent accidents, including those resulting from excessive speed in turns, or hydroplaning. Only safe and attentive drive can prevent accidents. The capabilities of an ESP®-equipped vehicle must never be used as a substitute for careful driving.

The ESP® has the following three systems:

Stability control system

The vehicle stability control system helps provide integrated control of systems such as anti-lock brakes, traction control, engine control, etc. This system automatically controls the brakes and engine to help prevent the vehicle from skidding when cornering on a slippery road surface or when turning the steering wheel abruptly.

Traction control system

The traction control system automatically helps prevent the spinning of wheels when the vehicle is started or accelerated on slippery road surfaces. The system operates only if it senses that some of the wheels are spinning or beginning to lose traction. When this happens, the system operates the front or rear brakes and reduces engine power to limit wheel spin.

Anti-lock brake system (ABS)

ABS will help you avoid skidding by electronically controlling braking pressure. It will also help you maintain steering control when braking on slippery surfaces or when braking hard. The ABS works automatically, so you do not have to use any special braking technique. Just push the brake pedal down without pumping. The ABS will operate whenever it senses that wheels are locking up. You may feel the brake pedal pulsate while the ABS is operating. (For more information on ABS, see "Braking" in this section.)

NOTE:

The ABS will not work if vehicle speed is under about 9 km/h (6 mph).

WARNING

- The ESP® may not work properly if tyres or wheels other than those specified in the owner's manual are used. When replacing tyres or wheels, use only the size and type specified in this owner's manual.
- The ESP® may not work properly if tyres are not inflated to the recommended tyre pressure.
- The ESP® may not work properly if tyres are fitted with snow chains.

(Continued)

⚠ WARNING

(Continued)

- The ESP[®] may not work properly if the tyres are excessively worn. Replace tyres when the tread wear indicators in the grooves appear on the tread surface.
- The ESP[®] is not a substitute for winter tyres or snow chains on a snow-covered road.

⚠ WARNING

- The ESP[®] may not work properly if engine related parts such as the muffler are not equivalent to standard equipment or are extremely deteriorated.
- Do not modify the vehicle's suspension since the ESP[®] may not work properly.

NOTE:

- If the ESP[®] system is activated, you may hear a clunking noise and/or feel pulsating in the brake pedal. This is normal and indicates that the brake fluid pressure is being controlled properly.
- You may hear an operation sound when you start the engine or after the vehicle begins to move. This means that the above systems are in the self-check mode. This sound does not indicate a malfunction.

The ESP[®] indicator lights are described below:

ESP[®] warning light



52KM133

This light blinks 5 times per second when one of the following systems is activated.

- Stability control system
- Traction control system
- Hill descent control system (if equipped)
- Grip control system (if equipped)

If this light blinks, drive carefully.

When the ignition switch is turned to "ON" position, or the engine switch is pressed to change the ignition mode to ON, this light comes on briefly so you can check that the light is working.

NOTICE

If the ESP[®] warning light comes on and stays on while driving, there may be a malfunction of the ESP[®] systems (other than ABS). You should have the systems inspected by a SUZUKI dealer.

NOTE:

When the ESP[®] warning light comes on and stays on while driving, indicating a malfunction of the ESP[®] systems (other than ABS), the brake system will function as an ordinary ABS with no additional ESP[®] functions.

ESP[®] OFF indicator light

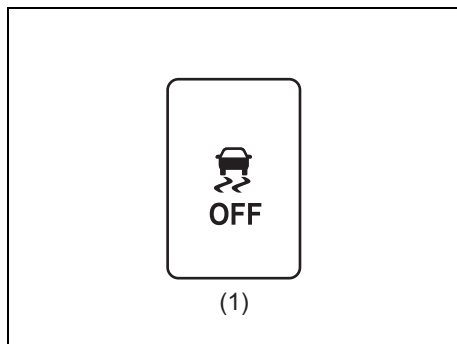


57L30045

You should turn the ESP[®] on during your ordinary driving, so that you have the benefits of all of the ESP[®] systems.

It may be required to turn the ESP[®] systems (other than ABS) off if your vehicle is stuck in sand, mud, or snow, where wheel spin is necessary.

ESP® OFF switch



(1) ESP® OFF switch

When the ESP® OFF switch located at the instrument panel is pushed and held to turn off the ESP® systems (other than ABS), the ESP® OFF indicator light in the instrument cluster comes on.

When you have turned the ESP® systems (other than ABS) off, turn them back on before resuming ordinary driving.

When you push the ESP® OFF switch again, the ESP® OFF indicator light will go out and all of the ESP® systems will be activated.



75RM223

If the message shown in the above illustration appears on the information display, there may be a problem with the ESP® system. Have your vehicle inspected by a SUZUKI dealer.

NOTE:

The ESP® system will not activate while this message is displayed.

NOTE:

If your vehicle is equipped with any of the functions listed below, when the ESP® system is turned off, all functions will be turned off.

- Hill descent control system
- Grip control system
- Dual camera brake support
- ENG A-STOP system

ABS warning light / brake system warning light

See “Braking” in this section.

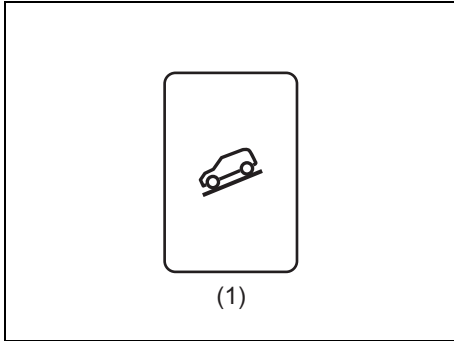
Hill descent control system (if equipped)

The hill descent control system is designed to reduce the driver's workload when going down steep, rough and/or slippery hills where the vehicle cannot decelerate enough by engine braking alone. The hill descent control system helps to control vehicle speed by automatically engaging the vehicle's brakes, as needed, so you can concentrate on steering the vehicle.

⚠ WARNING

Do not rely excessively on the hill descent control system. The hill descent control system may not control the vehicle speed on a hill under all load or road conditions. Always be prepared to control vehicle speed by applying the brakes. Failure to pay attention and control vehicle speed using the brakes when necessary may result in loss of control or an accident.

Hill descent control switch



(1) Hill descent control switch

To activate the hill descent control system:

- 1) Shift the gearshift lever into a forward gear or reverse gear.
- 2) Push the hill descent control switch (1) when the vehicle speed is under 25 km/h (15 mph). The hill descent control indicator on the instrument cluster will come on and the hill descent control system will be activated.

When the vehicle speed exceeds about 7 km/h (4 mph) without depressing the accelerator pedal, the hill descent control system applies the brakes automatically to maintain the vehicle speed at about 7 km/h (4 mph).

- When braking, the brake/tail lights come on and the ESP[®] warning light blinks.
- When the vehicle speed exceeds about 40 km/h (25 mph), the hill descent control system stops functioning and the hill descent control indicator goes off. When the vehicle slows down below about 25 km/h (16 mph), the hill descent control system will be activated again and the hill descent control indicator will come on.

▲ WARNING

- **When the hill descent control system is used continuously for a long time, the temperature of the brake system may increase and the hill descent control system may be deactivated temporarily to protect the device of the brake system. The hill descent control indicator blinks to let you know the system is deactivated. Depress the brake pedal and stop the vehicle in a safe place. When the temperature of the brake system goes down, the hill descent control indicator will come on and the system is activated again.**

(Continued)

▲ WARNING

(Continued)

- **The hill descent control system may be activated when the gearshift lever is in “N” (Neutral) position, but engine braking will not work. Always use the hill descent control system with the gearshift lever in a forward gear or reverse gear.**
- **When using the hill descent control system, push the hill descent control switch and make sure that the hill descent control indicator light comes on and no warning message indicates on the information display.**
- **While operating the hill descent control system, the dual camera brake support (if equipped) may not operate depending on the accelerating.**

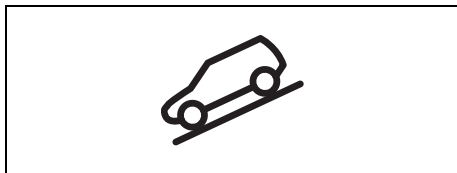
NOTE:

You may hear a sound coming from the engine when the hill descent control system is activated. This sound is normal and does not indicate a malfunction.

To turn off the hill descent control system, push the hill descent control switch and turn off the hill descent control indicator light.

OPERATING YOUR VEHICLE

Hill descent control indicator light



79K050

When the ignition switch is in “ON” position, or the ignition mode is ON, this light comes on briefly so you can check that the light is working.

When you push the hill descent control switch and the hill descent control operating conditions are fulfilled, the hill descent control indicator comes on. If the hill descent control indicator blinks, the hill descent control will not be activated.

If hill descent control indicator light comes on while not operating the hill descent control switch, or the indicator light does not come on after the switch is pushed, there is a problem in this system. Have your vehicle inspected by a SUZUKI dealer.

NOTE:

If the hill descent control indicator blinks when you push the hill descent control switch, the following conditions may not be fulfilled.

- *The gearshift lever is in a forward gear or reverse gear*
- *The vehicle speed is under 25 km/h (15 mph)*
- *The brake system is under normal operating temperature*

NOTE:

If any of the following conditions occur, there may be a problem with the hill descent control system or the ESP® system. Have your vehicle inspected by a SUZUKI dealer.

- *The hill descent control indicator does not come on or blink when you push the hill descent control switch.*
- *The hill descent control indicator stays on when driving without pushing the hill descent control switch.*



75RM224

For the instrument cluster with tachometer, if the message shown in the above illustration appears on the information display, there may be a problem with the hill descent control system and the hill hold control system. Have your vehicle inspected by a SUZUKI dealer.

NOTE:

You cannot activate the hill descent control system while this message is displayed.

Grip control system (if equipped)

When one side of the tyres is slipping on slippery road surfaces such as a snow-covered road and it is difficult to start the vehicle, the grip control system controls the driving force and brake force through the ESP® system, and assists you in smooth starting.

In such cases as when both of the tyres are slipping, the system may also assist starting.

⚠ WARNING

Grip control system has limits and may not function properly depending on the driving conditions. Do not rely excessively on the system and always drive in a safe manner.

⚠ CAUTION

- **Observe the following instructions. If mishandled, the grip control system cannot work properly and may cause a malfunction.**
 - **Inflate the tyres to the recommended tyre pressure.**
 - **When replacing tyres or wheels, use only the size and type specified in this owner's manual.**
 - **Do not use worn or extremely uneven tyres.**

(Continued)

⚠ CAUTION

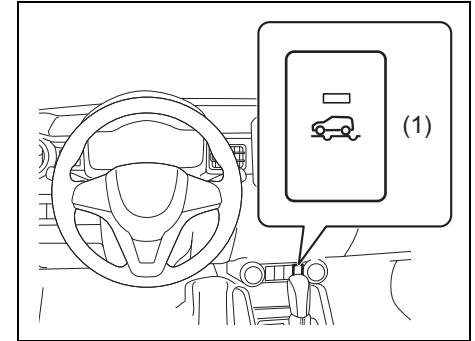
(Continued)

- **Do not modify the vehicle's suspension or brake (Altering the vehicle height, etc.).**
- **Do not drive with extremely deteriorated suspension or brake.**
- **Do not modify the engine (Altering the muffler, etc.).**
- **Do not equip a limited slip differential.**
- **The grip control system may not work properly if tyres are fitted with snow chains.**

NOTE:

- *When both of the tyres are slipping, the grip control system may work, however, it works especially effective when one side of the tyres is slipping.*
- *You may hear an operation sound when you start the engine or after the vehicle begins to move. This means that the grip control system is in the self-check mode. This sound does not indicate a malfunction.*
- *When the grip control system is working with high engine revolutions, you may feel changing engine speed or vehicle pulsating. This is normal.*

Grip control switch



75RM311

(1) Grip control switch

To activate the grip control system, push the grip control switch. An indicator light on the switch will be lit when the grip control system is on. When you push the switch again, the indicator light will go off and the grip control system will be deactivated.

- When the vehicle is stabilized and the vehicle speed exceeds about 30 km/h (19 mph), the grip control system stops functioning and the indicator on the switch goes off.
- When the ESP® system is off, the grip control system cannot be turned on.

OPERATING YOUR VEHICLE

How grip control system works

When the grip control switch is on and one side of the tyres is slipping, the grip control system assists you in smooth starting by controlling the driving force and brake force of all wheels.

- When the ESP[®] system is off, the grip control system cannot be activated.

CAUTION

To activate the grip control system, push the grip control switch and check that the indicator on the switch turns on.

NOTE:

While the grip control system is working, the ESP[®] warning light blinks.

Hill hold control system (if equipped)

The hill hold control system is designed to assist you in starting to move up hills. When you start to move up a hill, the system helps to prevent the vehicle from rolling downward (for approximately 2 seconds) while you move your foot from the brake pedal to the accelerator pedal.

WARNING

- Do not rely excessively on the hill hold control system. The hill hold control system may not prevent the vehicle from rolling downward on a hill under all load or road conditions. Always be prepared to depress the brake pedal to prevent the vehicle from rolling downward. Failure to pay attention and depress the brake pedal to hold the vehicle on a hill when necessary, may result in loss of control or an accident.
- The hill hold control system is not designed to stop the vehicle on a hill.

(Continued)

WARNING

(Continued)

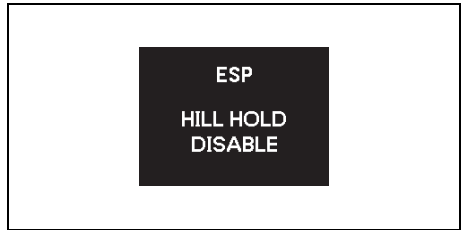
- After you release your foot from the brake pedal, accelerate the vehicle to move up immediately. If you release your foot from the brake pedal over 2 seconds, the hill hold control system will be canceled. If so, the vehicle may roll downward, which can result in an accident depending on the degree of slope. And, the engine may stall and the power assist for the steering and brakes will not work so steering and braking will be much harder than usual which can result in an accident or vehicle damage.
- If you drive on the steep slope, the gravel, the snow-covered road, or the muddy road and the hill hold control system is activated, there may be a possibility that the wheels will be locked and then the vehicle may lose the control.

The hill hold control system activates for a maximum of about 2 seconds if your foot is moved from the brake pedal when the following conditions are all met.

- The gearshift lever is in a forward gear or reverse gear.
- The parking brake is released.
- For manual transmission models, the clutch pedal is depressed.
- The vehicle is on an upward incline.

On models equipped with the ENG A-STOP system, the hill hold control system is activated when the engine is restarted after being stopped automatically, even if the previous conditions are not met.

NOTE:
When the hill hold control system is activated, you may hear a sound coming from the engine, or you may feel hardness of the brake pedal. These are normal and do not indicate a malfunction.



75RM224

For the instrument cluster with tachometer, if the message shown in the above illustration appears on the information display, there may be a problem with the hill descent control system (if equipped) and the hill hold control system. Have your vehicle inspected by a SUZUKI dealer.

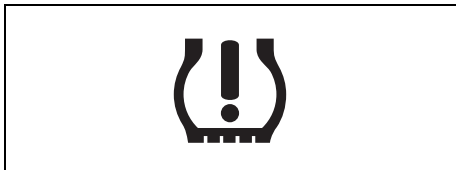
NOTE:
The hill hold control system will not activate while this message is displayed.

Tyre pressure monitoring system (TPMS) (if equipped)

The tyre pressure monitoring system is designed to alert you when one or more of the tyres on your vehicle is significantly under-inflated. The tyre pressure monitoring system (TPMS) sensor containing a unique identification code is mounted on each wheel. The TPMS sensors transmit tyre pressure signals to the receiver of the tyre pressure monitoring system controller. When the inflation pressure of one or more tyres indicates significant under-inflation, the low tyre pressure warning light shown below comes on.

OPERATING YOUR VEHICLE

Low tyre pressure warning light



52D305

Each tyre, including the spare (if provided), should be checked monthly when cold and inflated to the inflation pressure recommended by the vehicle manufacturer on the vehicle placard or tyre pressure label. (If your vehicle has tyres of a different size than the size indicated on the vehicle placard or tyre pressure label, you should determine the proper tyre pressure for those tyres.)

As an added fuel efficiency feature, your vehicle has been equipped with a tyre pressure monitoring system (TPMS) that illuminates a low tyre pressure warning light when one or more of your tyres is significantly under-inflated.

Accordingly, when the low tyre pressure warning light illuminates, you should stop and check your tyres as soon as possible, and inflate them to the proper pressure.

Driving on a significantly under-inflated tyre causes the tyre to overheat and can lead to tyre failure. Under-inflation also reduces fuel efficiency and tyre tread life,

and may affect the vehicle's handling and stopping ability.

Please note that the TPMS is not a substitute for proper tyre maintenance, and it is the driver's responsibility to maintain correct tyre pressure, even if under-inflation has not reached the level to trigger illumination of the TPMS low tyre pressure warning light.

▲ WARNING

Relying only on the tyre pressure monitoring system to determine when it is necessary to add air to the tyres can result in loss of control or an accident.

Check tyre pressures monthly when the tyres are cold. If necessary, adjust them to the recommended inflation pressure as specified on the vehicle's tyre information placard and in this owner's manual. Refer to "Tyres" in the "INSPECTION AND MAINTENANCE" section.

▲ WARNING

Failure to take corrective action when the low tyre pressure warning light is not working or when it comes on and blinks while driving can lead to an accident.

If the low tyre pressure warning light does not come on for 2 seconds after the ignition switch is turned to "ON" position or the engine switch is pressed to change the ignition mode to ON, or comes on and blinks while driving, have your vehicle inspected by a SUZUKI dealer. Even if the light turns off after blinking, indicating that the monitoring system has recovered, you should still have the system checked by your authorized SUZUKI dealer.

▲ WARNING

The load-carrying capacity of your tyres is reduced at lower inflation pressures. If your tyres are even moderately under-inflated, the load on the tyres may exceed the load-carrying capacity of the tyres, which could lead to tyre failure. The low tyre pressure warning light will not alert you to this condition, because it only comes on when one or more of your tyres becomes significantly under-inflated.

Check and adjust your tyre pressure at least once a month. Refer to “Tyres” in the “INSPECTION AND MAINTENANCE” section.

▲ WARNING

Continuing to drive with the low tyre pressure warning light on can lead to an accident, resulting in severe injury or death.

If the low tyre pressure warning light comes on and stays on, reduce your speed and avoid abrupt steering and braking. Be aware that driving on a significantly under-inflated tyre can cause the tyre to overheat and can lead to tyre failure, and may affect steering control and brake effectiveness. Stop in a safe place as soon as possible and check your tyres.

- If you have a flat tyre, replace it with the spare tyre (if equipped). Refer to “Jacking instructions” in the “EMERGENCY SERVICE” section for tyre replacement. Also refer to “Replacing tyres and/or wheels” for instructions on how to restore normal operation of the TPMS after you have had a flat tyre.

(Continued)

▲ WARNING

(Continued)

- If your vehicle is equipped with a flat tyre repair kit instead of a spare tyre, refer to “Flat tyre repair kit” in the “EMERGENCY SERVICE” section for instructions on how to perform an emergency repair of a flat tyre.
- If one or more of your tyres is under-inflated, adjust the inflation pressure in all of your tyres to the recommended inflation pressure as soon as possible.

The low tyre pressure warning light can come on due to normal causes such as natural air leakage and pressure changes caused by changes in temperature or atmospheric pressure. Adjusting the air pressure in the tyres to the pressure shown on the tyre information placard should cause the low tyre pressure warning light to turn off.

To make the low tyre pressure warning light go off, adjust the tyre pressures when the tyres are cold, and drive the vehicle for about 10 minutes.

When the adjusted tyre pressure is recognized, the low tyre pressure warning light will go off and the information display shows the current tyre pressure (if you select the TPMS monitor).

NOTICE

If the low tyre pressure warning light does not go off even when you drive for more than 10 minutes after adjusting the cold tyre pressure, there may be a problem with the TPMS. Have your vehicle inspected by a SUZUKI dealer.

If the light turns on again shortly after adjusting the pressure in your tyres, you may have a flat tyre. If you have a flat tyre, replace it with the spare tyre (if equipped). Refer to “Jacking instructions” in the “EMERGENCY SERVICE” section. Refer to “Replacing tyres and/or wheels” for instructions on how to restore normal operation of the tyre pressure monitoring system after you have had a flat tyre.



61MM0A198

NOTE:

- The information display shows the above warning and indicator message when this light comes on.
- When the tyre pressure is adjusted in high altitude areas, the low tyre warning light may not turn off even after tyre pressure adjustment. In this case, adjust the inflation pressure to a slightly higher pressure than the one shown on the tyre information placard.
- The low tyre pressure warning light may turn off temporarily after coming on. This could be due to increase of surface temperature after long distance driving or traveling to a high temperature area. Even if the low tyre warning light turns off after coming on, check the inflation pressure of all tyres.
- To reduce the chance that the low tyre pressure warning light will come on due to normal changes in temperature and atmospheric pressure, it is important to check and adjust the tyre pressures when the tyres are cold. If you check

tyres after driving, they are warm. Even if the tyre pressure seems to be good in this condition, it could fall below the specified pressure when tyres cool down. Also, if tyres are inflated to the specified pressure in a warm garage, the tyre pressure could fall below the specified one when you drive the vehicle outside in very cold temperature. If you adjust the tyre pressure in a garage that is warmer than the outside temperature, you should add 1 kPa to the recommended cold tyre pressure for every 0.8°C difference between garage temperature and outside temperature.

TPMS malfunction indicator

Your vehicle has also been equipped with a TPMS malfunction indicator to indicate when the system is not operating properly.

The TPMS malfunction indicator is combined with the low tyre pressure warning light. When the system detects a malfunction, the telltale will flash for about 75 seconds and then remain continuously illuminated. This sequence will continue upon subsequent vehicle start-ups as long as the malfunction exists.

The TPMS malfunction indicator is not reset even after the engine is turned off; it remains in the on state until the normal conditions are restored.

When the malfunction indicator is illuminated, the system may not be able to detect or signal low tyre pressure as intended. TPMS malfunctions may occur for a variety of reasons, including the installation of replacement or alternate tyres or wheels on the vehicle that prevent the TPMS from functioning properly. Always check the low tyre pressure warning light after replacing one or more tyres or wheels on your vehicle to ensure that the replacement or alternate tyres and wheels allow the TPMS to continue to function properly.

NOTICE

The tyre pressure sensors can be damaged if you do not take proper precautions.

- **We highly recommend that you have tyres repaired or replaced by a SUZUKI dealer. The tyre pressure sensors can be damaged by installation or removal of tyres.**
- **Do not use liquid sealants for a flat tyre unless your vehicle is equipped with a flat tyre repair kit instead of a spare tyre.**

NOTICE

If the low tyre pressure warning light comes on frequently, there may be something wrong with one or more of the tyres, tyre pressure sensors, or the monitoring system.
If the low tyre pressure warning light comes on frequently, have your vehicle inspected by a SUZUKI dealer.



61MM0A199

NOTE:

The information display shows the above warning and indicator message when this light comes on.

OPERATING YOUR VEHICLE

TPMS limitations

The tyre pressure monitoring system may not function properly under certain circumstances. In the following situations, the low tyre pressure warning light may come on and remain on or may blink.

- When you replace a flat tyre with the spare tyre.
- When you include a spare tyre during a tyre rotation.
- When the TPMS sensor is damaged during a tyre replacement or liquid sealants are used to repair a flat tyre.
- When the TPMS sensor's electronic signal is disturbed in one of the following ways:
 - Electric devices or facilities using similar radio wave frequencies are nearby.
 - A metallic film that may cause radio wave interference is attached on the window.
 - A lot of snow or ice covers the vehicle, in particular, around the wheels or wheel housings.
 - Snow tyres that are not installed with genuine TPMS sensors or snow chains are used.
- When you use non-genuine SUZUKI wheels or tyres.
- When the pressure of any tyre is too high.
- When there is a problem with the receiver of the TPMS controller.

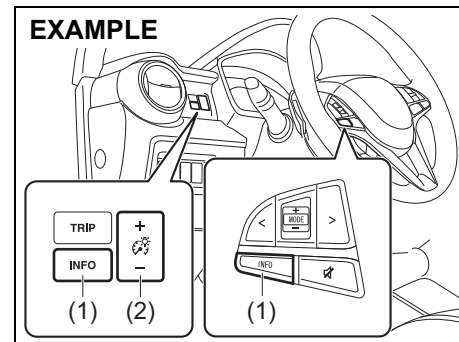
TPMS setting

- For the instrument cluster with tachometer, you can check the current tyre pressure on the information display.
- You can set one of the initial value of tyre pressure below that is indicated on the tyre information label.
 - Comfort Mode (Unladen Mode)
 - Load Mode (Laden Mode)

WARNING

When the loading weight has changed, adjust the tyre pressure according to the tyre information label and set the initial value via the information display. If the loading weight, tyre pressure and initial value do not match, the tyre pressure monitoring system will not function properly.

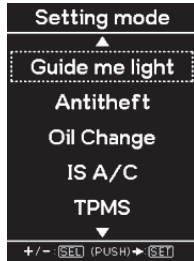
To check the current tyre pressure (instrument cluster with tachometer)



75RM184

- 1) When the ignition switch is in "ON" position or the ignition mode is ON and the vehicle is stationary, push and hold the information switch (1) for more than 3 seconds to change the information display to the setting mode.

EXAMPLE

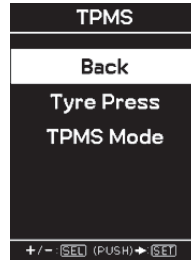


75RM321

- 2) Push the brightness control switch (2) up or down to select "TPMS" and push the information switch (1).

NOTE:
If you exit the setting mode, select "Back" and push the information switch (1).

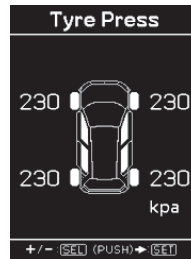
EXAMPLE



75RM332

- 3) Push the brightness control switch (2) up or down to select "Tyre Press" and push the information switch (1).

EXAMPLE



75RM333

- 4) The display shows current tyre pressure.

NOTE:

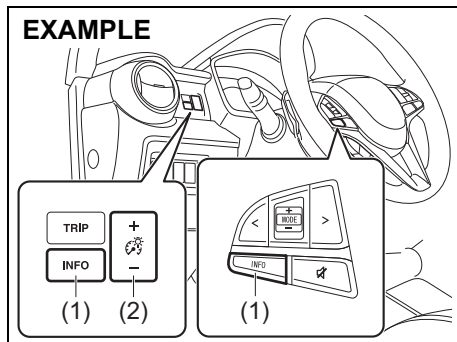
- If the low tyre pressure warning light comes on, the information display will be switched to "Tyre Press" display and the corresponding tyre pressure indication blinks to alert you which tyre(s) is(are) low pressure.
- The display may not show the tyre pressure for about 10 minutes after the vehicle begins to move. This is because the TPMS system learns the tyre pressure within this 10 minutes. The display will show the tyre pressure after 10 minutes passed.
- If you stop the vehicle and turn the ignition switch to "LOCK" position or change the ignition mode to LOCK (OFF), and leave it for 20 minutes or more, tyre pressure will be reset and will be indicated as 0 kPa when the engine is restarted. In this case, the current tyre pressure indication will recover after driving for a while. However, if any of tyre pressures has been detected as low pressure before stopping the engine, the tyre pressure indication may not recover and may be indicated as "---".

OPERATING YOUR VEHICLE

To set the initial value of tyre pressure (instrument cluster with tachometer)

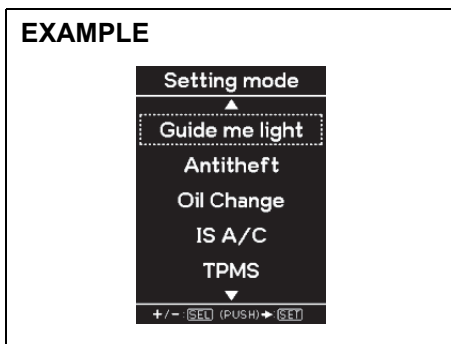
NOTE:

For the instrument cluster without tachometer, refer to “Setting mode” in “Information display (instrument cluster without tachometer)” in the “BEFORE DRIVING” section.



75RM184

- 1) When the ignition switch is in “ON” position or the ignition mode is ON and the vehicle is stationary, push and hold the information switch (1) for more than 3 seconds to change the information display to the setting mode.

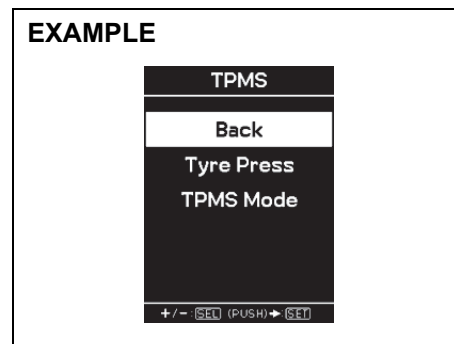


75RM321

- 2) Push the brightness control switch (2) up or down to select “TPMS” and push the information switch (1).

NOTE:

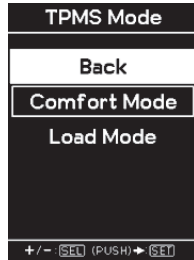
If you exit the setting mode, select “Back” and push the information switch (1).



75RM332

- 3) Push the brightness control switch (2) up or down to select “TPMS Mode” and push the information switch (1).

EXAMPLE



75RM334



75RM335

4) Push the brightness control switch (2) up or down to select the initial value and push the information switch (1).

5) When the display shows the message shown in the above illustration, the setting is completed.

Replacing tyres and/or wheels

If you got a flat tyre and replaced it with the spare tyre, SUZUKI recommends that you have a SUZUKI dealer mount a new tyre on the wheel that had the flat tyre. The TPMS is already set up to recognize the ID code of the original wheel, and normal TPMS operation will be restored.

If you need to replace any wheels on your vehicle, your dealer must check that TPMS sensors are installed in the new wheels and must set up the TPMS to recognize the new sensors.

NOTE:

A TPMS sensor is not installed in the spare tyre. You should use the spare tyre only in an emergency situation, and should replace the spare tyre as soon as possible to restore normal TPMS operation.

⚠ WARNING

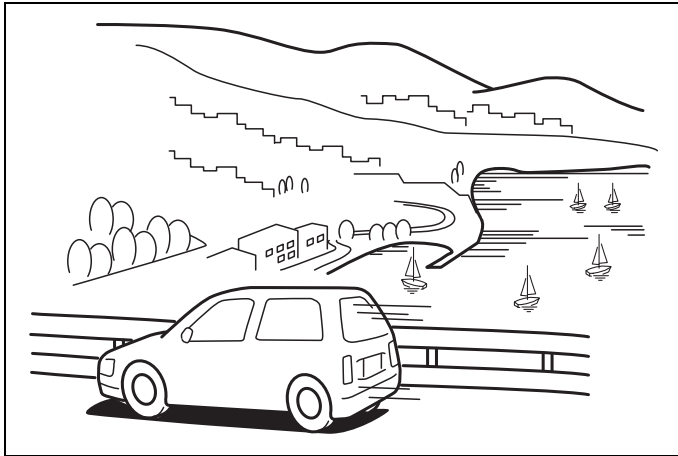
Use of tyres or wheels not recommended by SUZUKI can result in failure of the TPMS.

When replacing tyres and wheels, use only tyres and wheels recommended by SUZUKI as standard or optional equipment for your vehicle. Refer to "Tyres" in the "INSPECTION AND MAINTENANCE" section for additional information.

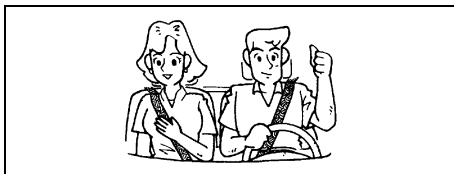
MEMO

DRIVING TIPS

Running-in	4-1
Catalytic converter	4-1
Improving fuel economy	4-2
Highway driving	4-3
Driving on hills	4-3
Driving on slippery roads	4-4
Off-road driving	4-6
When encountering a flooded area	4-6



60G409



52D078S

⚠ WARNING

- Fasten your seat belts at all times. Even though airbags are equipped at the front seating positions, the driver and all passengers should be properly restrained at all times, using the seat belts provided. Refer to “Seat belts and child restraint systems” section for instructions on proper use of the seat belts.
- Never drive under the influence of alcohol or other drugs. Alcohol and drugs can seriously impair your ability to drive safely, greatly increasing the risk of injury to yourself and others. You should also avoid driving when you are tired, sick, irritated or under stress.

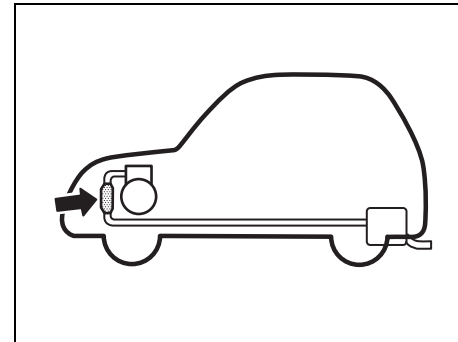
Running-in

NOTICE

The future performance and reliability of the engine depends on the care and restraint exercised during its early life. It is especially important to observe the following precautions during the first 960 km (600 miles) of vehicle operation.

- After starting, do not race the engine. Warm it up gradually.
- Avoid prolonged vehicle operation at a constant speed. Moving parts will break in better if you vary your speed.
- Start off from a stop slowly. Avoid full throttle starts.
- Avoid hard braking, especially during the first 320 km (200 miles) of driving.
- Do not drive slowly with the transmission in a high gear.
- Drive the vehicle at moderate engine speeds.
- Do not tow a trailer during the first 960 km (600 miles) of vehicle operation.

Catalytic converter



80G106

The purpose of the catalytic converter is to minimize the amount of harmful pollutants in your vehicle's exhaust. Use of leaded fuel in vehicles equipped with catalytic converters is prohibited, because lead deactivates the pollutant-reducing components of the catalyst system.

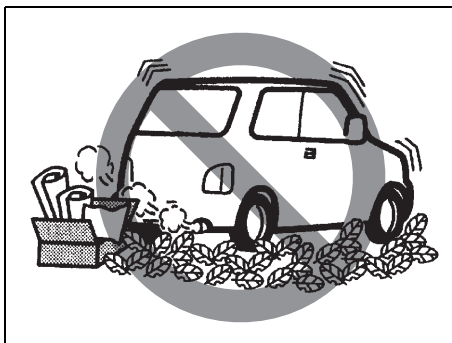
The converter is designed to last the life of the vehicle under normal usage and when unleaded fuel is used. No special maintenance is required on the converter. However, it is very important to keep the engine properly tuned. Engine misfiring, which can result from an improperly tuned engine, may cause overheating of the catalytic converter. This may result in permanent

heat damage to the catalytic converter and other vehicle components.

NOTICE

To minimize the possibility of catalytic converter or other vehicle damage:

- Maintain the engine in the proper operating condition.
- In the event of an engine malfunction, particularly one involving engine misfire or other apparent loss of performance, have the vehicle serviced promptly.
- Do not turn off the engine or interrupt the ignition when the transmission is in gear and the vehicle is in motion.
- Do not try to start the engine by pushing or towing the vehicle, or coasting down a hill.
- Do not idle the engine with any spark plug wires disconnected or removed, such as during diagnostic testing.
- Do not idle the vehicle for prolonged periods if idling seems rough or there are other malfunctions.
- Do not allow the fuel tank to get near the empty level.



54G584S

⚠ WARNING

Be careful where you park and drive; the catalytic converter and other exhaust components can get very hot. As with any vehicle, do not park or operate this vehicle in areas where combustible materials such as dry grass or leaves can come in contact with a hot exhaust system.

Improving fuel economy

The following instructions will help you improve fuel economy.

Avoid excessive idling

If you are to wait for more than a minute while you are parked, stop the engine and start it again later. When warming up a cold engine, do not allow the engine to idle or apply full throttle until the engine has reached operating temperature. Allow the engine to warm up by driving.

Avoid fast starts

Fast starts away from lights or stop signs will consume fuel unnecessarily and shorten engine life. Start off slowly.

Avoid unnecessary stops

Avoid unnecessary deceleration and stopping. Try to maintain a slow, steady speed whenever possible. Slowing down and then accelerating again uses more fuel.

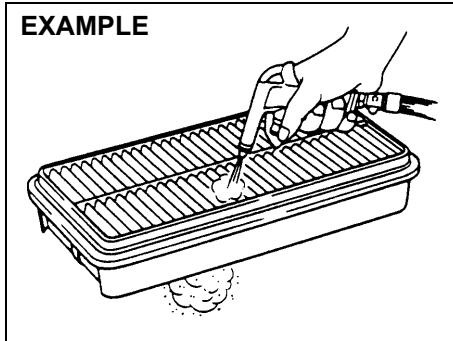
Keep a steady cruising speed

Drive at a constant speed that road and traffic conditions will permit.

DRIVING TIPS

Keep the air cleaner clean

EXAMPLE



60A183S

If the air cleaner is clogged with dust, there will be greater intake resistance, resulting in decreased power output and increased fuel consumption.

Keep weight to a minimum

The heavier the load is, the more fuel the vehicle consumes. Unload any unnecessary luggage or cargo.

Keep tyre pressures correct

Under-inflation of the tyres can waste fuel due to increased running resistance of the tyres. Keep your tyres inflated to the correct pressure shown on the label on the driver's side door or the driver's door lock pillar.

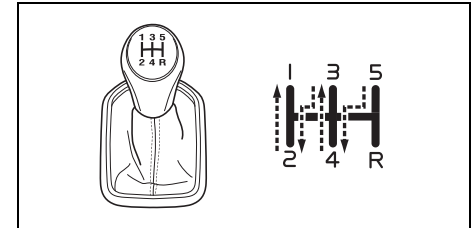
Highway driving

When driving at highway speeds, pay attention to the following:

- Stopping distance progressively increases with vehicle speed. Apply the brakes far enough ahead of the stopping point to allow for the extra stopping distance.
- On rainy days, hydroplaning can occur. Hydroplaning is the loss of direct contact between the road surface and the vehicle's tyres due to a water film forming between them. Steering or braking the vehicle during hydroplaning can be very difficult, and loss of control can occur. Keep speed down when the road surface is wet.
- At high speeds, the vehicle may be affected by side winds. Therefore, reduce speed and be prepared for unexpected buffeting, which can occur at the exits of tunnels, when passing by a cut of a hill, or when being overtaken by large vehicles, etc.

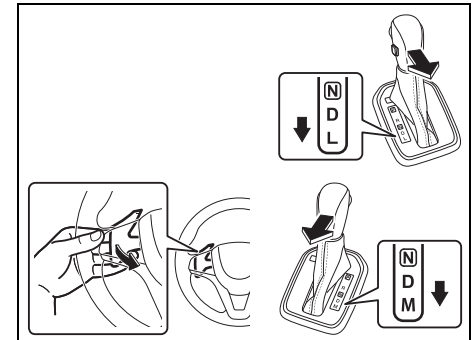
Driving on hills

Manual transmission



75RM296

CVT



75RM296

- When climbing steep hills, the vehicle may begin to slow down and show a lack of power. If this happens, you should shift to a lower gear so that the engine will again be operating in its normal

power range. Shift rapidly to prevent the vehicle from losing momentum.

- When driving down a hill, the engine should be used for braking by shifting to the next lower gear.

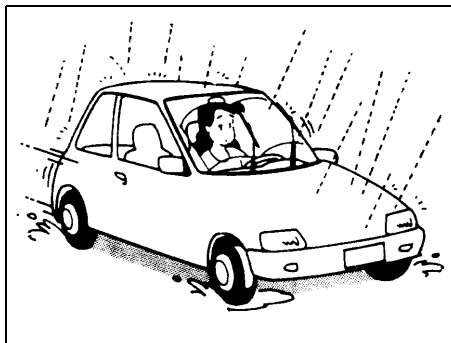
▲ WARNING

Do not hold the brake pedal down too long or too often while going down a steep or long hill. This could cause the brakes to overheat, resulting in reduced braking efficiency. Failure to take this precaution could result in loss of vehicle control.

NOTICE

When descending a downhill, Never turn the ignition key to “LOCK” position or press the engine switch to change the ignition mode to LOCK (OFF). Emission control system and CVT (if equipped) damage may result.

Driving on slippery roads



60G089S

On wet roads, you should drive at a lower speed than you do on dry roads due to possible slippage of tyres during braking. When driving on icy, snow-covered or muddy roads, reduce your speed and avoid sudden acceleration, abrupt braking, or sharp steering movements.

4WD models

Your 4WD is designed to get better traction on slippery roads than 2-wheel drive models. However, your 4WD will not have as much traction in deep snow, mud or sand as multipurpose 4WD vehicles. You should not attempt to drive your 4WD in deep snow, mud or sand. 4WD models are not sport/utility vehicles, and are not designed for off-road use.

Snow chains

Snow chains should only be used if they are needed to increase traction or are required by law. Check that the chains you use are the correct size for your vehicle's tyres. Also check that there is enough clearance between the fenders and the chains as installed on the tyres.

Install the chains on the front tyres tightly, according to the chain manufacturer's instructions. Retighten the chains after driving about 1.0 km (1/2 mile) if necessary. With the chains installed, drive slowly.

NOTICE

- **If you hear the chains hitting against the vehicle body while driving, stop and tighten them.**
- **If your vehicle is equipped with full wheel caps, remove the wheel caps before installing the chains or the wheel caps can be damaged by the chain bands.**

DRIVING TIPS

Stuck vehicle

If your vehicle gets stuck in snow, mud or sand, follow the directions below:

- 1) Shift the transmission back and forth between a forward range (or 1st gear for manual transmission) and “R” (Reverse). This will create a rocking motion which may give you enough momentum to free the vehicle. Press gently on the accelerator to keep wheel spinning to a minimum wheel rpm. Remove your foot from the accelerator while shifting.

Do not race the engine. Excessive wheel spin will cause the tyres to dig deeper, making it more difficult to free the vehicle.

NOTE:

If your vehicle is equipped with the ESP® and/or grip control system, you may have to turn the systems off in order to spin the wheels.

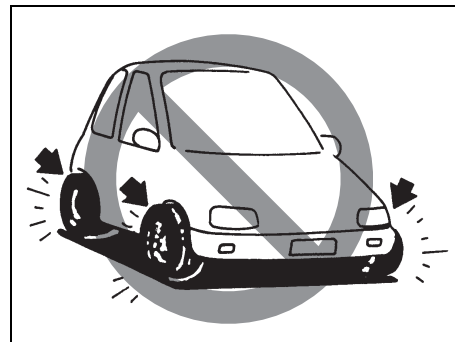
- 2) If your vehicle remains stuck after a few minutes of rocking, we recommend you to consult your SUZUKI dealer or a roadside assistance service. If a towing service is not available in an emergency, your vehicle may be temporarily towed by a towing cable or chain secured to the towing hook either on the front of the vehicle or on the rear of the vehicle. Refer to “Frame hooks” in the “OTHER CONTROLS AND EQUIPMENT” section.

⚠ WARNING

Do not allow anyone to stand near the vehicle when you are rocking it, and do not spin the wheels faster than an indicated 40 km/h (25 mph) on the speedometer. Personal injury and/or vehicle damage may result from spinning the wheels too fast.

NOTICE

Do not continue rocking the vehicle for more than a few minutes. Prolonged rocking can cause engine overheating or transmission damage.



54G638S

⚠ WARNING

In addition to following the driving tips in this section, it is important to observe the following precautions.

- Check that your tyres are in good condition and always maintain the specified tyre pressure. Refer to “Tyres” in “INSPECTION AND MAINTENANCE” section for details.

(Continued)

▲ WARNING

(Continued)

- Do not use tyres other than those specified by SUZUKI. Never use different sizes or types of tyres on the front and rear wheels. For information regarding the specified tyres, refer to the tyre information label located on the driver's door lock pillar.
- Never use oversized tyres or special shock absorbers and springs to raise (jack up) your vehicle. This will change the handling characteristics. Oversized tyres may also rub against the fender over bumps, causing vehicle damage or tyre failure.
- After driving through water, test the brakes while driving at a slow speed to see if they have maintained their normal effectiveness. If the brakes are less effective than normal, dry them by repeatedly applying the brakes while driving slowly until the brakes have regained their normal effectiveness.

Off-road driving**Do not drive in the field covered with grown grass**

If you drive in the field covered with grass, it may cause accident or vehicle damage by getting caught in grown grass.

When encountering a flooded area

61M0075

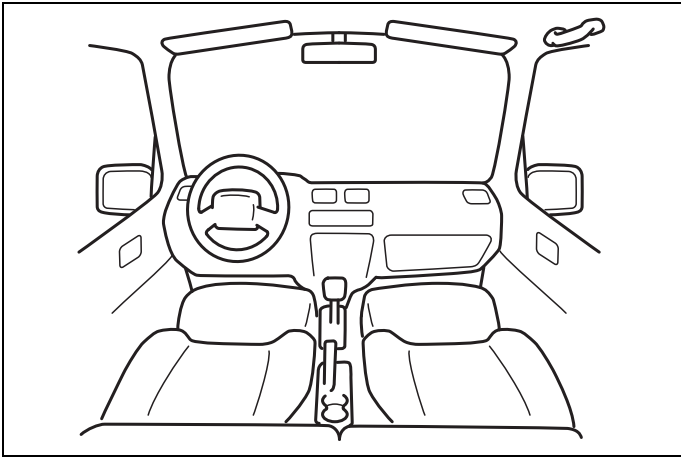
Avoid driving in a flooded area or a deep puddle. If driving in a flooded area is unavoidable, go slowly in the lowest gear. In case that you have driven in a flooded area, stop the vehicle in a safe place while checking the brake effectiveness. Then, ask a SUZUKI dealer or a qualified workshop to check the following inspection items.

- Function of brake
- Function of electrical components
- Changes of oil level and quality for engine, transmission and differential. In case that the oil is turbid whitely, water has been mixed in the oil and an oil change is required.
- Lubricant condition of the bearings, suspension joints, etc.

NOTICE

Avoid driving in a flooded area or a deep puddle. It may cause an engine stall, short in electrical components, engine and transmission damages, etc.

OTHER CONTROLS AND EQUIPMENT



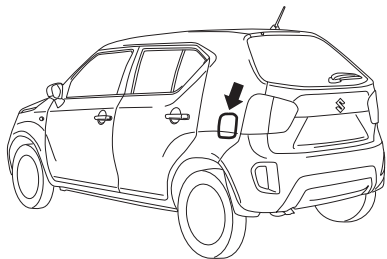
60G407

- Fuel filler cap 5-1
- Engine hood 5-2
- Sun visor 5-4
- Interior light 5-5
- Accessory socket 5-6
- AUX/USB socket (if equipped) 5-7
- Assist grips (if equipped) 5-7
- Glove box 5-8
- Cup holder and storage area 5-9
- Footrest 5-11
- Floor mats (if equipped) 5-11
- Luggage compartment cover (if equipped) 5-12
- Roof rails (if equipped) 5-12
- Frame hooks 5-13
- Heating and air conditioning system 5-16
- Heating system 5-18
- Manual heating and air conditioning system 5-22
- Automatic heating and air conditioning system
(climate control) 5-27
- Radio antenna 5-33
- Installation of radio frequency transmitters 5-33
- Audio system (Type A / Type B / Type C) (if equipped) ... 5-34

OTHER CONTROLS AND EQUIPMENT

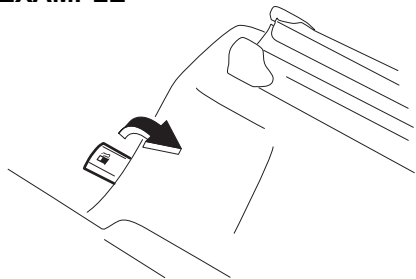
Fuel filler cap

EXAMPLE



73SB05010

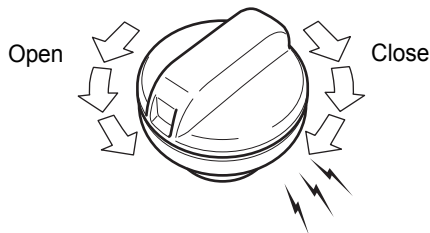
EXAMPLE



75RM130

A fuel filler cap is located on the left rear side of the vehicle. The fuel filler door can be unlocked by pulling up the opener lever located on the outboard side of the driver's seat and locked by simply closing the door.

EXAMPLE



57L51093

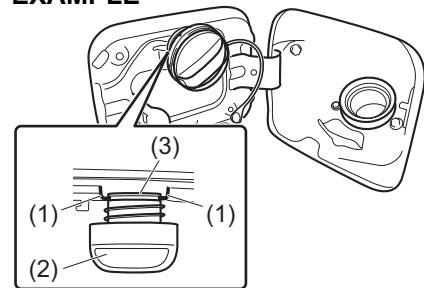
To remove the fuel filler cap:

- 1) Open the fuel filler door.
- 2) Remove the cap by turning it counter-clockwise.

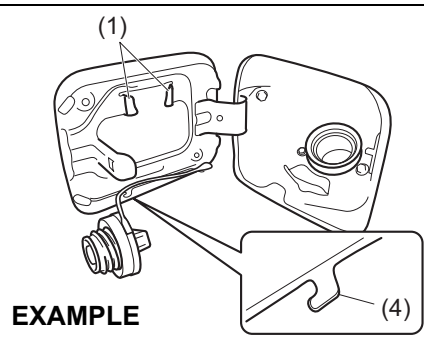
⚠ CAUTION

Remove the fuel filler cap slowly. The fuel may be under pressure and may spray out, causing injury.

EXAMPLE



75RM057



75RM058

NOTE:

The cap holder (1) holds the fuel filler cap (2) by hooking the groove (3), or the hook (4) also holds the fuel filler cap when refueling.

To reinstall the fuel filler cap:

- 1) Turn the cap clockwise until you hear several clicks.
- 2) Close the fuel filler door.

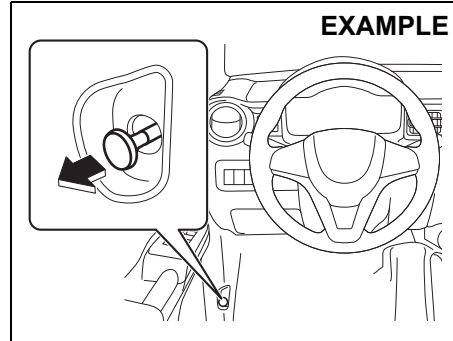
⚠ WARNING

Fuel is extremely flammable. Do not smoke when refueling, and check that there are no open flames or sparks in the area.

⚠ WARNING

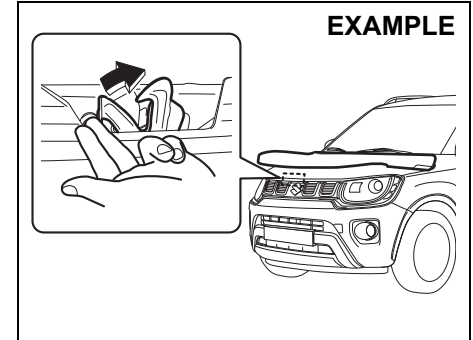
If you need to replace the fuel cap, use a genuine SUZUKI cap. Use of an improper cap can result in a malfunction of the fuel system or emission control system. It may also result in fuel leakage in the event of an accident.

Engine hood



To open the engine hood:

- 1) Pull the hood release handle located on the outboard side of the driver's side. This will disengage the engine hood lock halfway.



- 2) Push the under-hood release lever sideways with your finger, as shown in the illustration. While pushing the lever, lift up the engine hood.

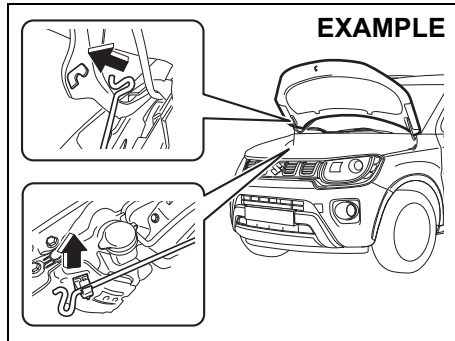
⚠ CAUTION

The release lever can be hot enough to burn your finger right after driving. Touch the lever after it becomes cool enough.

NOTICE

Check that the wiper arms are not raised before you lift up the engine hood to avoid damaging the wiper arms and the engine hood.

OTHER CONTROLS AND EQUIPMENT



73SB05030

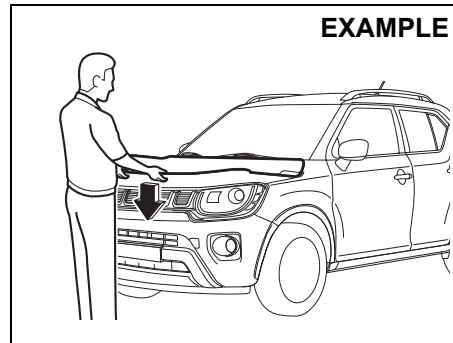
- 3) While holding the hood, pull the prop rod out from the holding clip, and then insert the end of the rod into the designated hole in the hood.

▲ CAUTION

- The prop rod can be hot enough to burn your finger right after driving. Touch the rod after it becomes cool enough.
- Insert the end of the rod into the hole securely. If the rod slips out, you may get caught in the closing hood.
- The rod may slip out when the hood is blown by wind. Be careful on windy days.

To close the engine hood:

- 1) Lift the hood up slightly and remove the prop rod from the hole. Put the prop rod back into the holding clip.



73SB05040

- 2) Lower the hood to about 20 cm above the hood latch, and then let it drop down. Check that the hood is securely latched after closing.

▲ WARNING

Check that the hood is fully closed and latched before driving. If it is not, it can fly up unexpectedly during driving, obstructing your view and resulting in an accident.

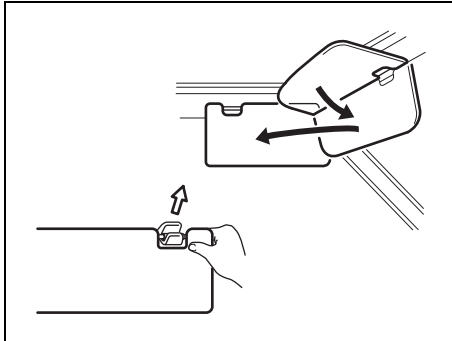
▲ CAUTION

To avoid injury, check that no part of the occupant's body such as hands or head is in the path of the hood when closing it.

NOTICE

Pushing on the hood from the top may damage it.

Sun visor



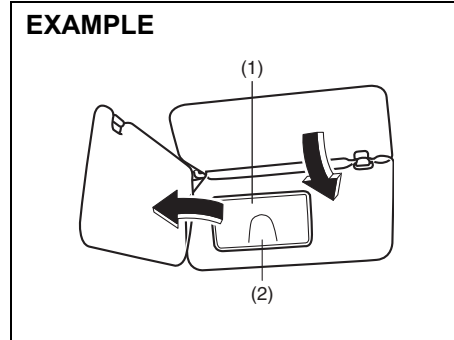
79J161

The sun visors can be pulled down to block glare coming through the windshield, or they can be unhooked and turned to the side to block glare coming through the side window.

NOTICE

When unhooking and hooking a sun visor, handle it by the hard plastic parts or the sun visor can be damaged.

Card holder (if equipped)



80JM152

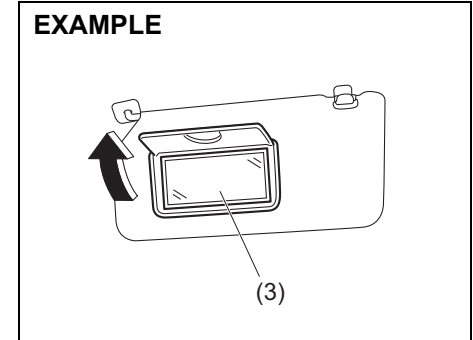
- (1) Mirror cover
- (2) Card holder

You can put a card in the card holder (2) on the back of the sun visor.

NOTICE

When you park your vehicle outdoors in direct sunlight or in hot weather, do not leave plastic cards in the holder. The heat may distort them.

Vanity mirror (if equipped)



75RM134

- (3) Vanity mirror

To use the vanity mirror (3) on the back of the sun visor, pull up the mirror cover (1).

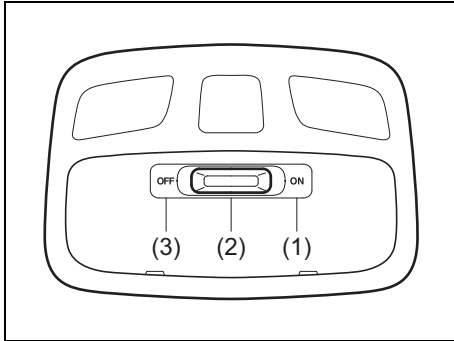
⚠ WARNING

- Do not use the mirror while driving your vehicle or you lose control of the vehicle.
- When using the vanity mirror, do not move too close to a front airbag location or lean against it. If the front airbag is accidentally inflated, it could hit you hard.

OTHER CONTROLS AND EQUIPMENT

Interior light

Front



62R0294

These light switches have three or four positions which function as described below:

ON (1)

- The light comes on and stays on regardless of whether the door is open or closed.
- To save the lead-acid battery, the light will be automatically turned off when a period of 15 minutes has elapsed after the light comes on and other operations are not done.

DOOR (2)

- The light comes on while any of the doors (including the tailgate) is opened. For about 15 seconds after all doors are closed, the light will remain on and then fade out.
- If all doors are closed, the light comes on for about 15 seconds when the ignition key is pulled out from the ignition switch or the engine switch is pressed to change the ignition mode from ON to LOCK (OFF). After 15 seconds, the light will fade out.
- To save the lead-acid battery, the light will be automatically turned off when a period of 15 minutes has elapsed after any of the doors (including the tailgate) is opened and other operations are not done.

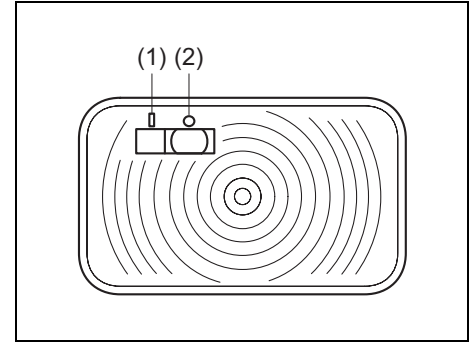
If you perform any of the following procedures before the light fading out, the light will start to fade out immediately.

- Inserting the ignition key into the ignition switch or pressing the engine switch to change the ignition mode to ACC or ON
- Locking all doors by operating the key, keyless entry transmitter, keyless push start system remote controller, power door locking switch or request switch

OFF (3)

The light remains off even when the door is opened.

Luggage compartment



75RM009

When you open the tailgate with the luggage compartment light switch in ON position (1), the light comes on and remains on as long as you keep the tailgate open.

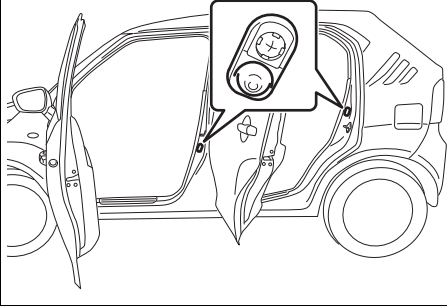
- To save the lead-acid battery, the light will be automatically turned off when a period of 15 minutes has elapsed after the tailgate is opened and other operations are not done.

When the luggage compartment light switch is in OFF position (2), the light remains off regardless of whether the tailgate is open or close.

NOTICE

Do not leave the tailgate open with the luggage compartment light switch in ON position for a long time, or the lead-acid battery will discharge.

EXAMPLE



75RM193

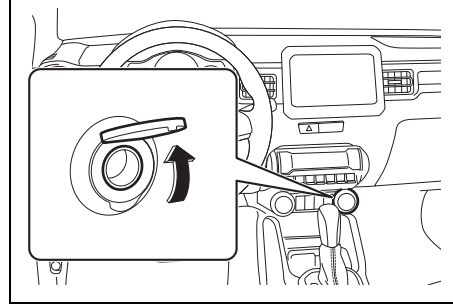
NOTE:

The number of doors involved in the lighting operation of the interior light depends on the vehicle specification. If there is a switch (rubber protrusion) at the door opening as shown, the door is involved in the lighting operation. The tailgate is also involved in this operation even without the rubber protrusion.

Accessory socket

Center console

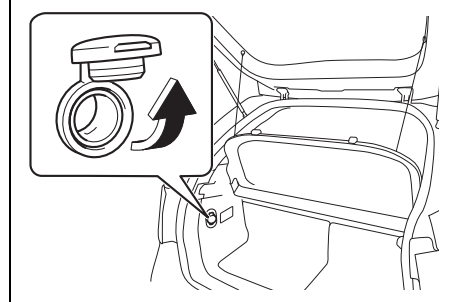
EXAMPLE



75RM135

Luggage compartment (if equipped)

EXAMPLE



75RM136

The accessory socket will work when the ignition switch is in "ACC" or "ON" position, or the ignition mode is ACC or ON. Each socket can be used to provide 12 volt/120 watt/10 ampere power for electrical accessories when used alone.

OTHER CONTROLS AND EQUIPMENT

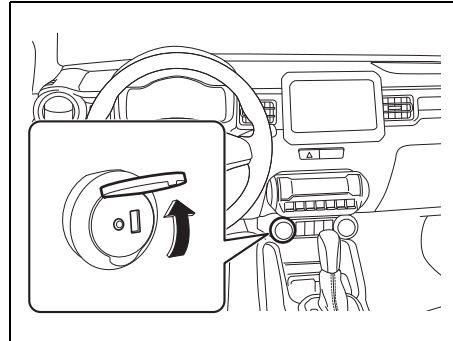
NOTICE

- To prevent the fuse from being blown, when using sockets at the same time, do not exceed the total combined power capacity of 12 volt/120 watt/10 ampere.
- Use of inappropriate electrical accessories can cause damage to your vehicle's electrical system. Check that any electrical accessories you use are designed to plug into this type of socket.
- Check that the cap remains on the socket when the socket is not in use.
- When the ignition switch is in "LOCK" position or the ignition mode is LOCK (OFF) during using the accessory socket, the following accidents may occur;
 - the audio or navigation system does not turn off.
 - the keyless entry system does not work, etc.

If they occur, disconnect the item from the accessory socket and check whether the electrical equipments work properly.

If the problem persists, ask an authorized SUZUKI dealer to have the system inspected.

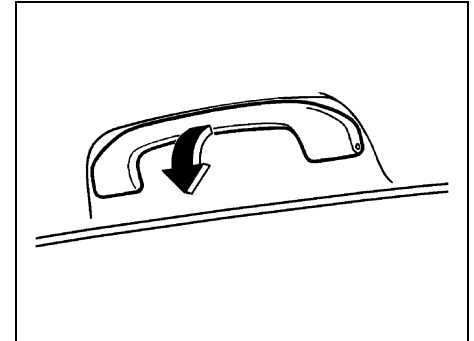
AUX/USB socket (if equipped)



75RM170

Connect your portable digital music player, etc. to this socket to enjoy music through the vehicle's audio system. Refer to "Audio system" in this section.

Assist grips (if equipped)



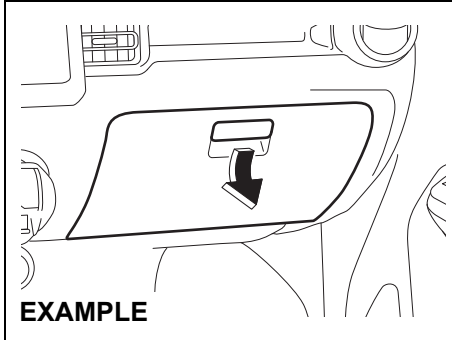
54G249

Assist grips are provided for convenience.

NOTICE

To avoid damaging the assist grip and the molded headlining, do not hang down the assist grip.

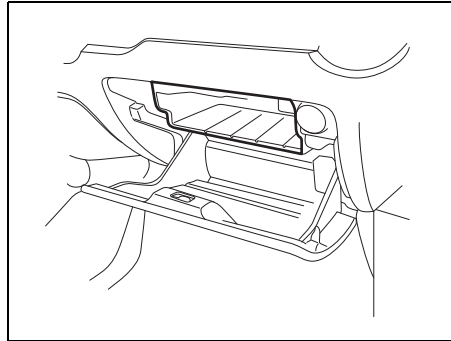
Glove box



To open the glove box, pull the latch lever. To close it, push the lid until it latches securely.

⚠ WARNING

Do not leave cigarette lighters or spray cans in the glove box. If a cigarette lighter or spray can is in a place such as the glove box, it may light accidentally when luggage is loaded, causing a fire.



There is a recess in the glove box.

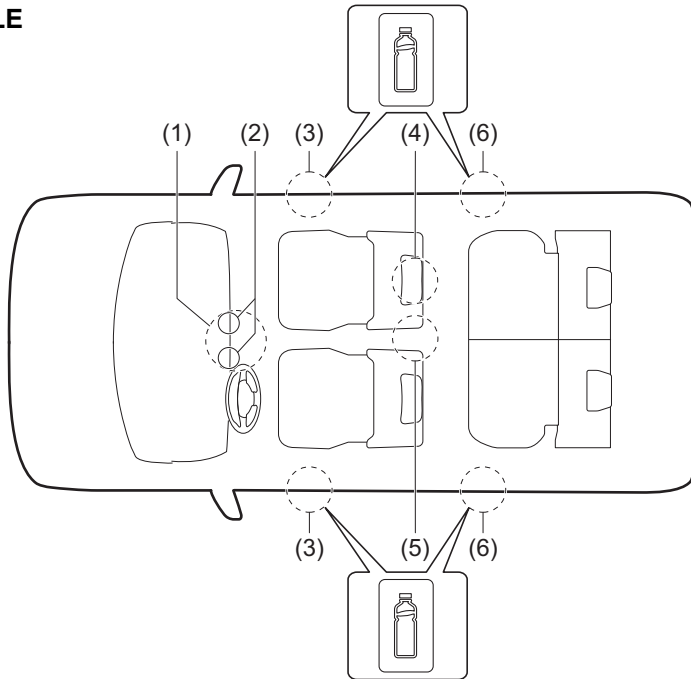
⚠ WARNING

Never drive with the glove box lid open. It could cause injury if an accident occurs.

OTHER CONTROLS AND EQUIPMENT

Cup holder and storage area

EXAMPLE



75RM297

Center console tray (1)

⚠ WARNING

Do not place any objects which may fall out from the pocket when the vehicle is moving. Failure to take the precaution may result in an object interfering with the pedals and causing a loss of vehicle control or an accident.

- (1) Center console tray
- (3) Front bottle holder
- (5) Rear cup holder

- (2) Front cup holders
- (4) Front seat back pocket (if equipped)
- (6) Rear bottle holder

Front cup holders (2) / Rear cup holder (5)

Use the rear cup holder to put a cup with a lid or a bottle with a cap. Also, you can put small articles in the rear cup holder.

▲ WARNING

Failure to take the precautions listed below could cause personal injury or vehicle damage.

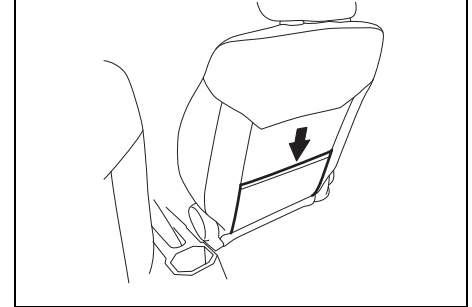
- Be careful when you are using the cup holders to hold a cup containing liquid. Spilling out hot liquid can cause burn injury. The lithium-ion battery is located under the front left side seat. Spilling liquids on the lithium-ion battery in models equipped with ENG A-STOP system and SHVS (K12D engine models) may cause a fire or electric shock or damage to the battery.
- Do not use the cup holders to hold sharp-edged, hard or breakable objects. Objects in the cup holders may be thrown about during a sudden stop or impact, and could cause personal injury.
- Be careful not to spill liquid or insert any foreign materials into the moving part of the gearshift lever, or any electrical components. Liquid or foreign materials may damage these parts.
- If you spill, or drop liquid accidentally, have your vehicle inspected by a SUZUKI dealer.

Front bottle holder (3) / Rear bottle holder (6)

You should only place a bottle with a cap in the holder.

Front seat back pocket (4) (if equipped)

EXAMPLE



75RM011

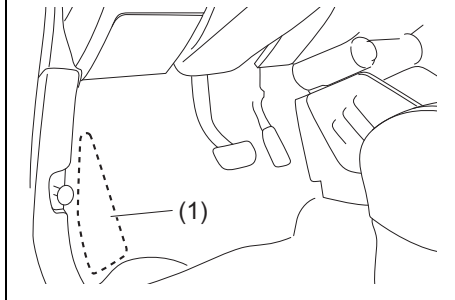
This pocket is provided for holding light and soft things such as gloves, newspapers or magazines.

▲ CAUTION

Do not put hard or breakable objects in the pocket. If an accident occurs, objects such as bottles, cans, etc. can injure the occupants in the rear seat.

Footrest

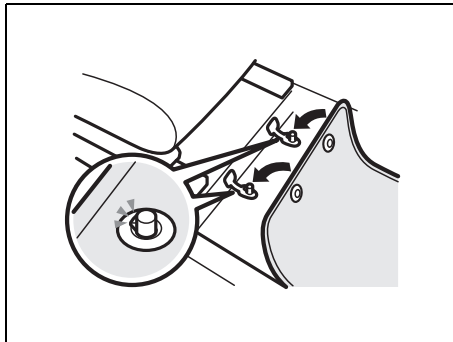
EXAMPLE



75RM243

Use the footrest (1) as a support for your left foot.

Floor mats (if equipped)



72M10201

To prevent the driver's side floor mat from sliding forward and possibly interfering with the operation of the pedals, genuine SUZUKI floor mats are recommended. Whenever you put the driver's side floor mat back in the vehicle after it has been removed, hook the floor mat grommets to the fasteners and position the floor mat properly in the footwell.

When you replace the floor mats in your vehicle with a different type such as all-weather floor mats, we highly recommend to use genuine SUZUKI floor mats for proper fitting.

⚠ WARNING

Failure to take the following precautions may result in the driver's side floor mat interfering with the pedals and causing a loss of vehicle control or an accident.

Description of warning label



- Slid forward floor mat could interfere with the operation of the pedals and lead to unexpected accident.



- Check that the floor mat grommets are hooked to the fasteners.



- Never stack floor mats because it may prevent from securing to the fasteners and cause sliding forward.

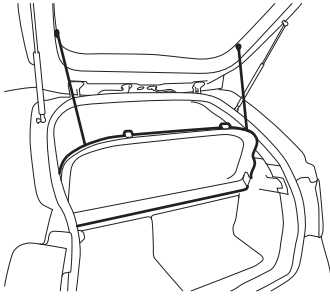


- For more details, read this owner's manual.

- Never use a floor mat which does not fit the floor contours.

Luggage compartment cover (if equipped)

EXAMPLE



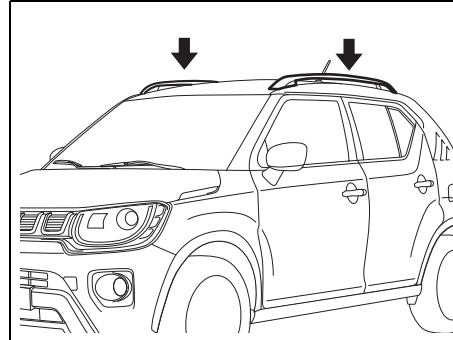
75RM013

Luggage or other cargo placed in the luggage compartment is hidden from view by a luggage compartment cover.

⚠ WARNING

Do not carry items on top of the luggage compartment cover, even if they are small and light. Objects on top of the cover could be thrown about in an accident, causing injury, or could obstruct the driver's rear view.

Roof rails (if equipped)



73SB05050

You can use the roof rails to attach the optional roof rack which is available at your SUZUKI dealer. If you use a roof rack, observe the instructions and precautions in this section and provided with the roof rack.

- Check that the roof rack is securely installed.
- To mount various types of cargo (such as skis, bicycles, etc.) properly, use suitable attachments which are available at your SUZUKI dealer. Install the attachments properly and securely according to the instructions provided. Do not mount cargo directly on the roof panel. The cargo can damage the roof panel.

- The gross weight of the roof rack plus cargo must not exceed the loading capacity.
 - Roof rails: 50 kg (110 lbs)
 Also, do not let the gross vehicle weight (fully loaded vehicle including driver, passengers, cargo, roof load and trailer tongue weight) exceed the Gross Vehicle Weight Rating (GVWR) listed in the "SPECIFICATIONS" section.
- Mount and secure the cargo onto the roof rack properly according to the instructions provided. Stow the heaviest items at the bottom and distribute the cargo as evenly as possible.
- Do not carry large items that hang over the bumpers or the sides of the vehicle. Otherwise, these items could block your view.
- Secure the front and rear ends of long items such as wood panels and surfboards, to both the front and rear of the vehicle. You should protect the painted surfaces of the vehicle from scuffing caused by tie-down ropes.
- Check periodically that the roof rack is securely installed and free from damage.

⚠ WARNING

- Abrupt maneuvers or failure to properly secure cargo can allow the cargo to fly off the vehicle and hit others, causing personal injury or property damage.
- Mount cargo securely and avoid abrupt maneuvers such as jackrabbit starts, sharp turns, fast cornering and sudden braking. Check periodically that cargo is securely fastened.
- Large, bulky, long or flat items can affect vehicle aerodynamics or be caught by the wind, and can reduce vehicle control resulting in an accident and personal injury. Drive cautiously at a safely reduced speed when carrying this type of cargo.

Frame hooks

Your SUZUKI does not recommend you use the frame hooks for towing another vehicle. SUZUKI was originally designed to tow your vehicle on the road emergency towing.

If your vehicle needs to be towed in an emergency, refer to "Towing" in the "EMERGENCY SERVICE" section.

⚠ WARNING

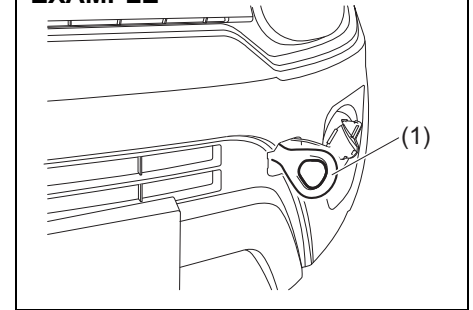
Observe the following instructions when using frame hooks. The towing hook or vehicle body may break and cause serious injury or damage:

- Do not use the frame hooks for towing another vehicle.
- Avoid pulling the vehicle to get out of severe snowy, muddy or sandy conditions, sudden starts or erratic driving maneuvers which could cause excessive stress on the towing hook.

In such case, we recommend that you contact a professional service.

Front

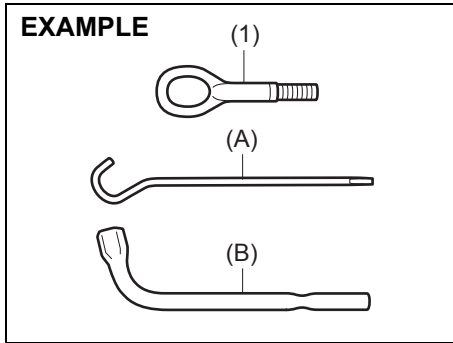
EXAMPLE



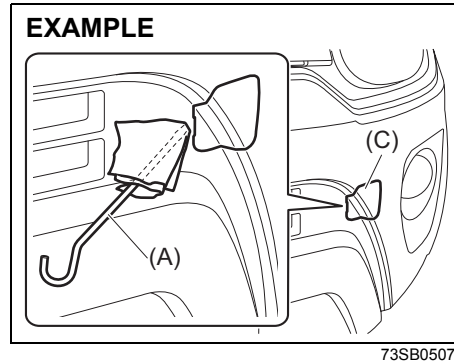
73SB05060

The towing hook (1) is provided on the front of the vehicle for use in emergency situations only.

To install the hook (1), follow the procedure below.



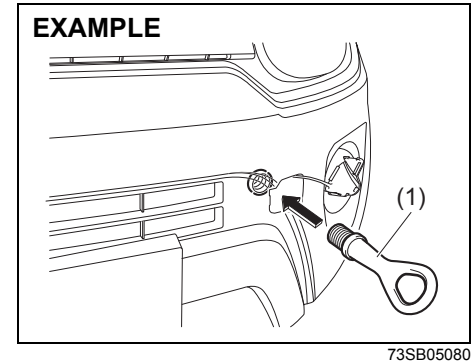
- 1) Pick up the towing hook (1), jack handle (A) and wheel brace (B) in the luggage compartment.



- 2) Remove the cover (C) by using a jack handle (A) covered with a soft cloth as shown in the illustration.

NOTE:

Do not use excessive force as it may damage the cover strap.



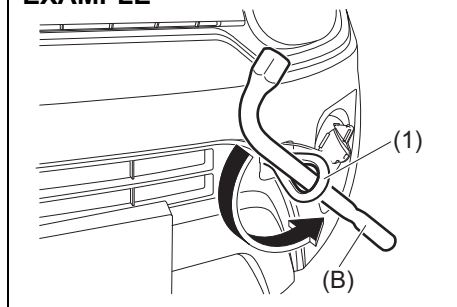
- 3) Install the towing hook (1) by hand.

NOTE:

We recommend that fasten the cover with tape to prevent damage during towing.

OTHER CONTROLS AND EQUIPMENT

EXAMPLE



73SB05090

- 4) To tighten the towing hook (1), turn it clockwise by using a wheel brace (B) until the hook (1) is securely installed.

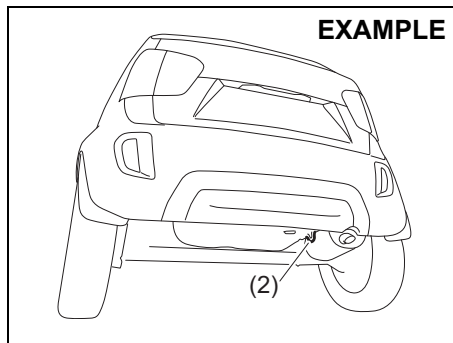
NOTICE

To prevent damage to the vehicle, never use the towing hook (1) for trailer / train shipping and sea shipping purposes.

To remove the towing hook (1), reverse the installation procedure.

Rear

EXAMPLE

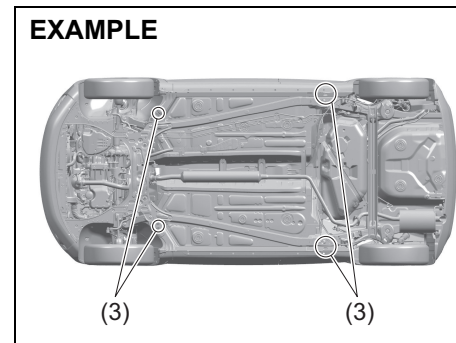


73SB05100

The frame hook (2) is provided on the rear of the vehicle for use in emergency situations and sea shipping purposes only.

Other holes

EXAMPLE



75RM140

The frame holes (3) are provided only for transporting by a car carrier trailer.

⚠ WARNING

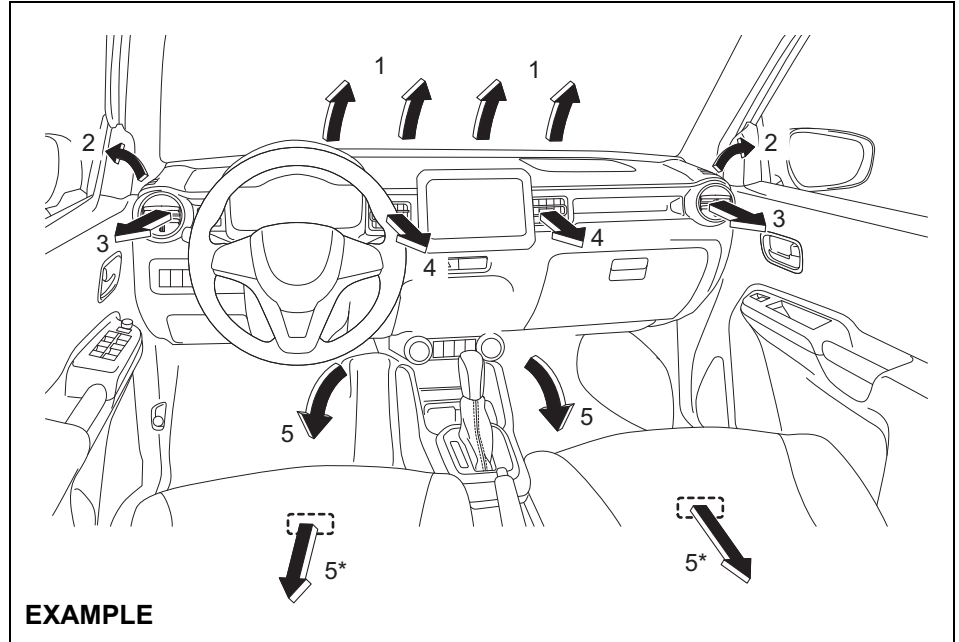
Do not use the frame holes (3) for towing purpose. These holes may break and cause serious injury or damage.

Heating and air conditioning system

There are three types of heating and air conditioning systems as follows:

- Heating system
- Manual heating and air conditioning system
- Automatic heating and air conditioning system (climate control)

Air outlet

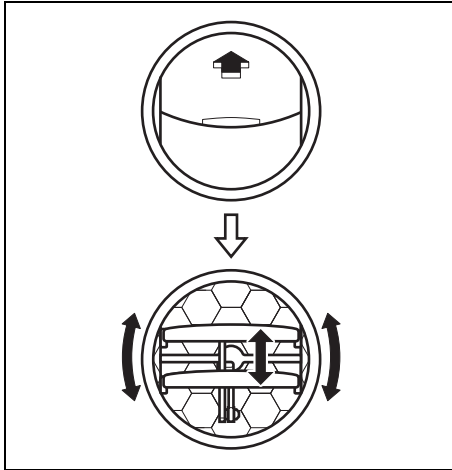


75RM351

1. Windshield defroster outlet
 2. Side defroster outlet
 3. Side outlet
 4. Center outlet
 5. Floor outlet
- * if equipped

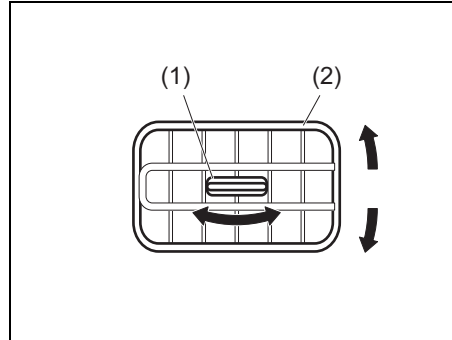
OTHER CONTROLS AND EQUIPMENT

Side outlet



When open, air comes out regardless of the air flow selector position.

Center outlet



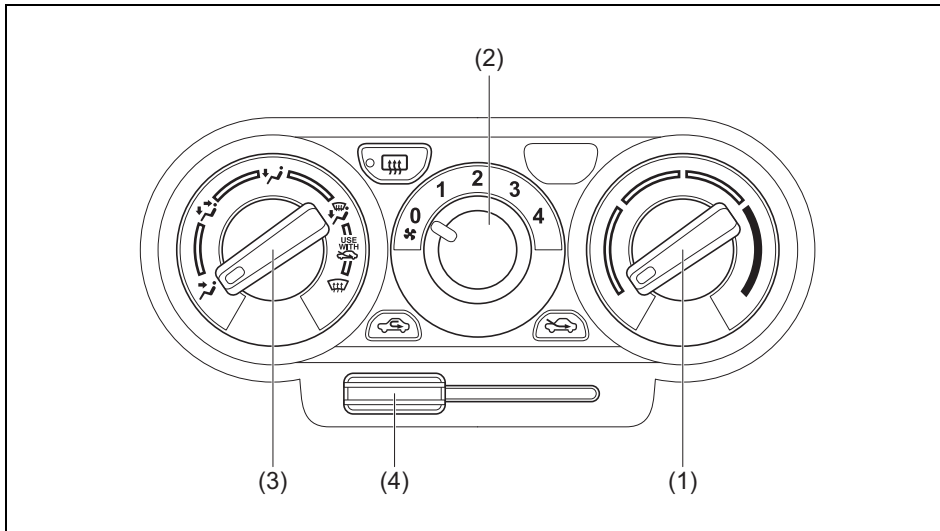
Move the knob (1) horizontally or the case (2) vertically to adjust the direction of air-flow as desired.

▲ CAUTION

Prolonged exposure to hot air from the heater or air conditioner could result in low temperature burns. All vehicle occupants, particularly children, the elderly, those with special needs, individuals with delicate skin, and sleeping individuals, should maintain sufficient distance from the air outlets to prevent prolonged exposure to hot airflow.

Heating system

Description of controls



75RM312

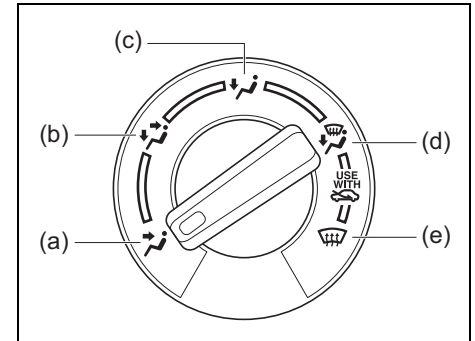
Temperature selector (1)

This is used to select the temperature by turning the selector.

Blower speed selector (2)

This is used to turn on the blower and to select blower speed by turning the selector.

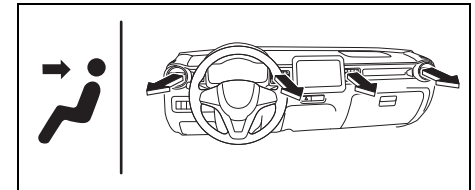
Air flow selector (3)



75RM022

This is used to select one of the following functions.

VENTILATION (a)

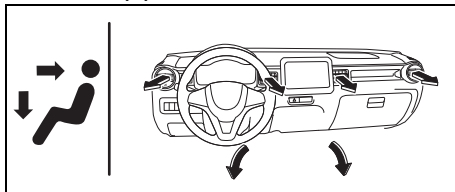


75RM352

Temperature-controlled air comes out of the center and side outlets.

OTHER CONTROLS AND EQUIPMENT

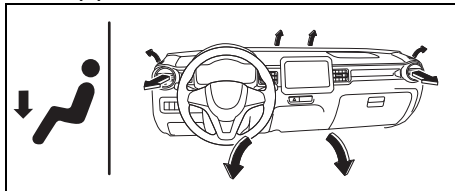
BI-LEVEL (b)



75RM353

Temperature-controlled air comes out of the floor outlets and cooler air comes out of the center and side outlets. When the temperature selector (1) is in the fully cold position or fully hot position, however, the air from the floor outlets and the air from the center and side outlets will be the same temperature.

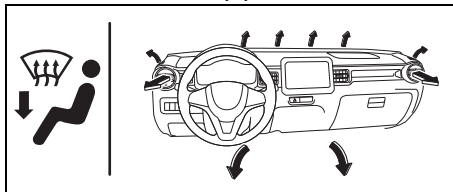
HEAT (c)



75RM354

Temperature-controlled air comes out of the floor outlets and the side outlets, also comes out of the windshield defroster outlets and also comes slightly out of the side defroster outlets.

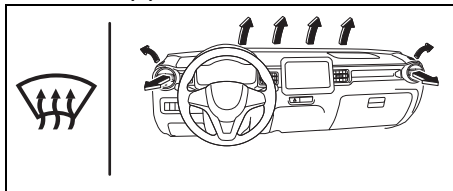
HEAT & DEFROST (d)



75RM355

Temperature-controlled air comes out of the floor outlets, the windshield defroster outlets, the side defroster outlets and the side outlets.

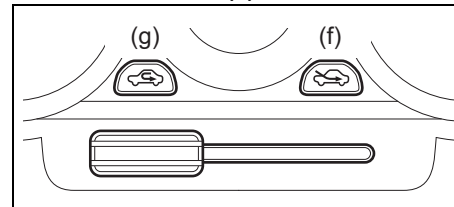
DEFROST (e)



75RM356

Temperature-controlled air comes out of the windshield defroster outlets, the side defroster outlets and the side outlets.

Air intake selector (4)



75RM059

This selector is used to select the following modes.

FRESH AIR (f)

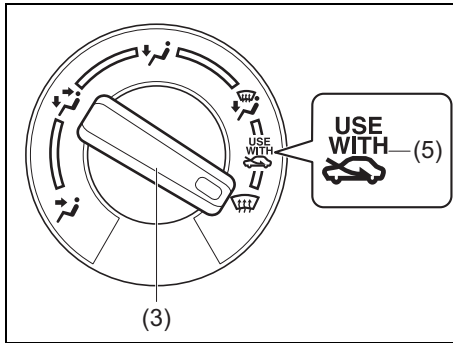
When this mode is selected by moving the lever to right, outside air is used.

RECIRCULATED AIR (g)

When this mode is selected by moving the lever to left, inside air is recirculated. This mode is suitable when driving through dusty or polluted air such as in a tunnel, or when attempting to quickly cool down the interior.

NOTE:

If you select RECIRCULATED AIR for an extended period of time, the air in the vehicle can become contaminated. Therefore, you should occasionally select FRESH AIR.



75RM402

NOTE:

The mark of "USE WITH" (5)
To clear fog on the windshield and/or the side windows quickly, set the air flow selector (3) to "HEAT & DEFROST" or "DEFROST" and air intake selector (4) to "FRESH AIR". These positioning will clear the fogged windshield and/or the side windows faster than the "RECIRCULATED AIR".

System operating instructions

Natural ventilation

Select VENTILATION and FRESH AIR, the temperature selector to the desired temperature position, and the blower speed selector to off. Fresh air will flow through the vehicle during driving.

Forced ventilation

The control settings are the same as for natural ventilation except you set the blower speed selector to a position other than off.

Normal heating (using outside air)

Select HEAT and FRESH AIR, the temperature selector to the desired temperature position and the blower speed selector to the desired blower speed position. Setting the blower speed selector to a higher blower speed position increases heating efficiency.

Quick heating (using recirculated air)

The control settings are the same as for normal heating except you select RECIRCULATED AIR. If you use this heating method for an extended period of time, the air in the vehicle can become contaminated and the windows can become misty. Therefore, use this method only for quick heating and change to the normal heating method as soon as possible.

Head cooled/Feet warmed heating

Select BI-LEVEL and FRESH AIR, the temperature selector to the desired temperature position, and the blower speed selector to the desired blower speed position. Unless the temperature selector is in the fully cold position or fully hot position, the air that comes out of the center and side outlets will be cooler than the air that comes out of the floor outlets.

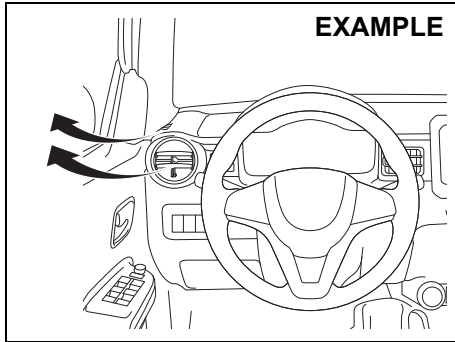
Defrosting/Feet warmed heating

Select HEAT & DEFROST and FRESH AIR, the temperature selector to the desired temperature position, and the blower speed selector to high. When the windshield has become clear, set the blower speed selector to the desired blower speed position.

Defrosting

Select DEFROST and FRESH AIR, the temperature selector to the desired temperature position (higher temperature provides more efficient defrosting), and the blower speed selector to high. When the windshield has become clear, set the blower speed selector to the desired blower speed position.

OTHER CONTROLS AND EQUIPMENT



75RM357

NOTE:

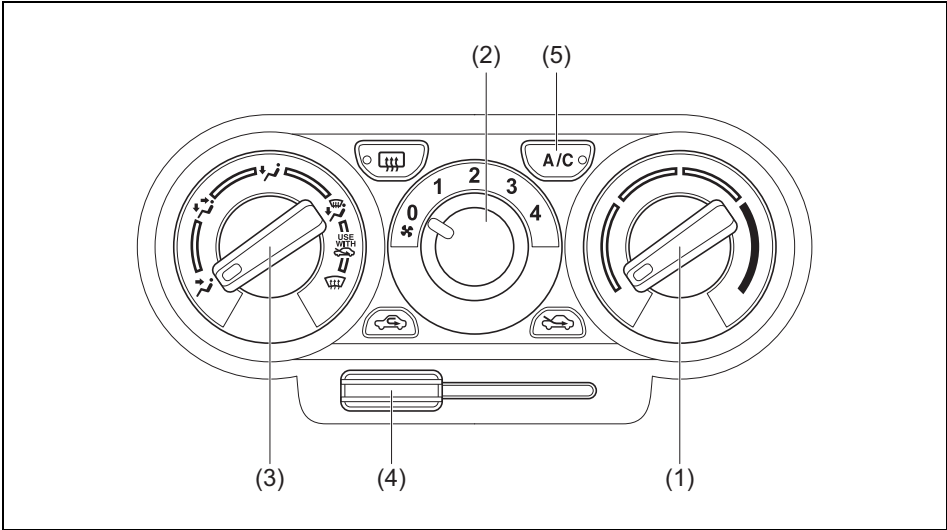
If you need maximum defrosting, adjust the temperature selector to hot end and adjust the side outlets so the air blows on the side window, in addition to the above Defrosting procedure.

Models with ENG A-STOP System (if equipped)

- If the heating performance can no longer perform at a sufficient level due to automatically stopping engine, press the ENG A-STOP OFF switch to deactivate the ENG A-STOP system. (The engine will automatically restart and the heating performance will be restored.)
- If the windshield and/or the driver's side/passenger side door windows are fogged during the automatic engine stop, stop the ENG A-STOP system and restart the engine. Then, turn the air flow selector (3) to change the air flow to the HEAT & DEFROST or DEFROST position to defog the windows.

Manual heating and air conditioning system

Description of controls



75RM060

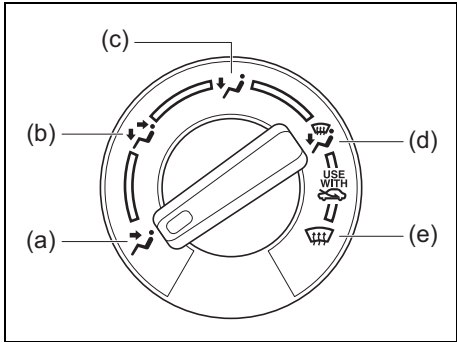
Temperature selector (1)

This is used to select the temperature by turning the selector.

Blower speed selector (2)

This is used to turn on the blower and to select blower speed by turning the selector.

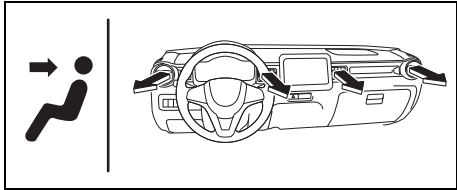
Air flow selector (3)



75RM022

This is used to select one of the following functions.

VENTILATION (a)

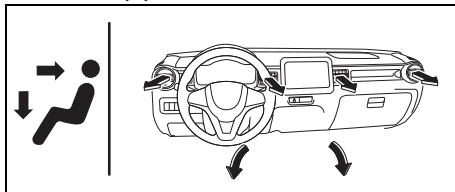


75RM352

Temperature-controlled air comes out of the center and side air outlets.

OTHER CONTROLS AND EQUIPMENT

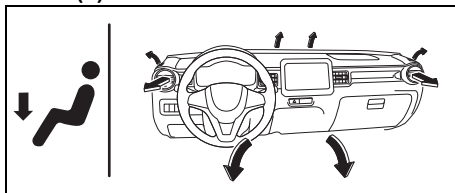
BI-LEVEL (b)



75RM353

Temperature-controlled air comes out of the floor outlets and cooler air comes out of the center and side outlets. When the temperature selector (1) is in the fully cold position or fully hot position, however, the air from the floor outlets and the air from the center and side outlets will be the same temperature.

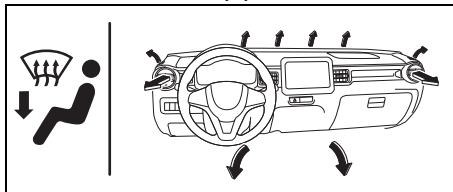
HEAT (c)



75RM354

Temperature-controlled air comes out of the floor outlets and the side outlets, also comes out of the windshield defroster outlets and also comes slightly out of the side defroster outlets.

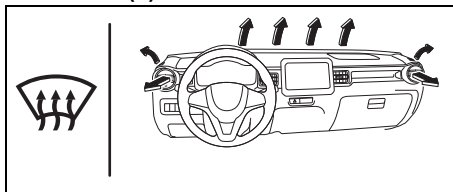
HEAT & DEFROST (d)



75RM355

Temperature-controlled air comes out of the floor outlets, the windshield defroster outlets, the side defroster outlets and the side outlets.

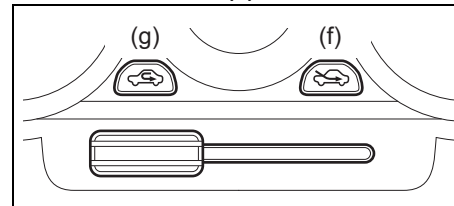
DEFROST (e)



75RM356

Temperature-controlled air comes out of the windshield defroster outlets, the side defroster outlets and the side outlets.

Air intake selector (4)



75RM059

This selector is used to select the following modes.

FRESH AIR (f)

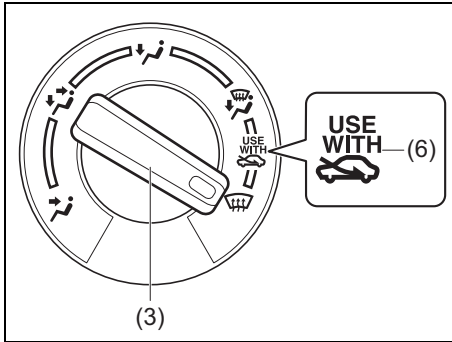
When this mode is selected by moving the lever to right, outside air is used.

RECIRCULATED AIR (g)

When this mode is selected by moving the lever to left, inside air is recirculated. This mode is suitable when driving through dusty or polluted air such as in a tunnel, or when attempting to quickly cool down the interior.

NOTE:

If you select RECIRCULATED AIR for an extended period of time, the air in the vehicle can become contaminated. Therefore, you should occasionally select FRESH AIR.



75RM403

NOTE:

The mark of "USE WITH" (6)
To clear fog on the windshield and/or the side windows quickly, set the air flow selector (3) to "HEAT & DEFROST" or "DEFROST" and air intake selector (4) to "FRESH AIR". These positioning will clear the fogged windshield and/or the side windows faster than the "RECIRCULATED AIR".

Air conditioning switch (5)

To turn on the air conditioning system, set the blower speed selector to a position other than off and push in "A/C" switch. With this "A/C" switch operation, a indicator light will come on when the air conditioning system is on. To turn off the air conditioning system, push "A/C" switch again.

During operation of the air conditioner, you may notice slight changes in engine speed. These changes are normal, the system is designed so that the compressor turns on or off to maintain the desired temperature.

Less operation of the compressor results in better fuel economy.

System operating instructions

Natural ventilation

Select VENTILATION and FRESH AIR, the temperature selector to the desired temperature position, and the blower speed selector to off. Fresh air will flow through the vehicle during driving.

Forced ventilation

The control settings are the same as for natural ventilation except you set the blower speed selector to a position other than off.

Normal heating (using outside air)

Select HEAT and FRESH AIR, the temperature selector to the desired temperature position and the blower speed selector to the desired blower speed position. Setting the blower speed selector to a higher blower speed position increases heating efficiency.

Quick heating (using recirculated air)

The control settings are the same as for normal heating except you select RECIRCULATED AIR. If you use this heating method for an extended period of time, the air in the vehicle can become contaminated and the windows can become misty. Therefore, use this method only for quick heating and change to the normal heating method as soon as possible.

OTHER CONTROLS AND EQUIPMENT

Head cooled/Feet warmed heating

Select BI-LEVEL and FRESH AIR, the temperature selector to the desired temperature position, and the blower speed selector to the desired blower speed position. Unless the temperature selector is in the fully cold position or fully hot position, the air that comes out of the center and side outlets will be cooler than the air that comes out of the floor outlets.

Normal cooling

Set the air flow selector to VENTILATION, the temperature selector to the desired temperature position and the blower speed selector to the desired blower speed position, and turn on "A/C" switch. Setting the blower speed selector to a higher blower speed position increases cooling efficiency.

You can switch the air intake selector to either FRESH AIR or RECIRCULATED AIR as you desire. Choosing RECIRCULATED AIR increases cooling efficiency.

Quick cooling (using recirculated air)

The control settings are the same as for normal cooling except you select RECIRCULATED AIR and the highest blower speed.

NOTE:

- *If you select RECIRCULATED AIR for an extended period of time, the air in the vehicle can become contaminated. Therefore, you should occasionally select FRESH AIR.*
- *If your vehicle has been left in the sun with the windows closed, it will cool faster if you open the windows briefly while you operate the air conditioner with the air intake selector at FRESH AIR and the blower at high speed.*

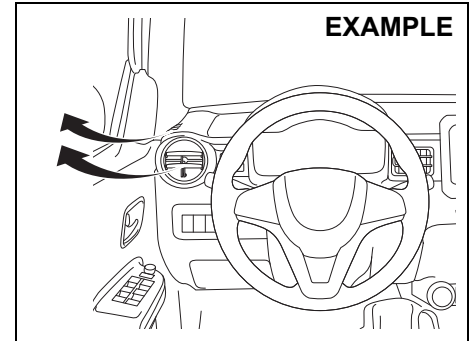
Dehumidifying

Set the air flow selector to a desired air flow selector position, the temperature selector to the desired temperature position and the blower speed selector to the desired blower speed position. Also select FRESH AIR and turn on "A/C" switch.

NOTE:

Because the air conditioner dehumidifies the air, turning it on will help keep the windows clear, even when blowing heated air using DEFROST or HEAT & DEFROST functions.

EXAMPLE



75RM357

NOTE:

If you need maximum defrosting:

- *select DEFROST and FRESH AIR,*
- *set the blower speed selector to high,*
- *adjust the temperature selector to the hot end,*
- *turn on "A/C" switch, and*
- *adjust the side outlets so the air blows on the side windows.*

Models with ENG A-STOP System (if equipped)

- If the heating performance can no longer perform at a sufficient level due to automatically stopping engine, press the ENG A-STOP OFF switch to deactivate the ENG A-STOP system. (The engine will automatically restart and the air conditioning performance will be restored.)
- If the windshield and/or the driver's side/passenger side door windows are fogged during the automatic engine stop, stop the ENG A-STOP system and restart the engine. Then, turn the air flow selector (3) to change the air flow to the HEAT & DEFROST or DEFROST position to defog the windows.

Maintenance

If you do not use the air conditioner for a long period, such as during winter, it may not give the best performance when you start using it again. To help maintain optimum performance and durability of your air conditioner, it needs to be run periodically. Operate the air conditioner at least once a month for one minute with the engine idling. This circulates the refrigerant and oil and helps protect the internal components.

If your air conditioner is equipped with air filters, clean or replace them as specified in "Maintenance schedule" in the "INSPECTION AND MAINTENANCE" section.

(For vehicles using "HFO-1234yf" refrigerant)

NOTE:

- *Your vehicle uses the air conditioning refrigerant HFO-1234yf, commonly called R-1234yf. R-1234yf replaced R-134a for automotive applications. Other refrigerants are available, but only R-1234yf should be used in your vehicle.*

(Except for vehicles using "HFO-1234yf" refrigerant)

NOTE:

Your vehicle uses the air conditioning refrigerant HFC-134a, commonly called R-134a. R-134a replaced R-12 around 1993 for automotive applications. Other refrigerants are available, including recycled R-12, but only R-134a should be used in your vehicle.

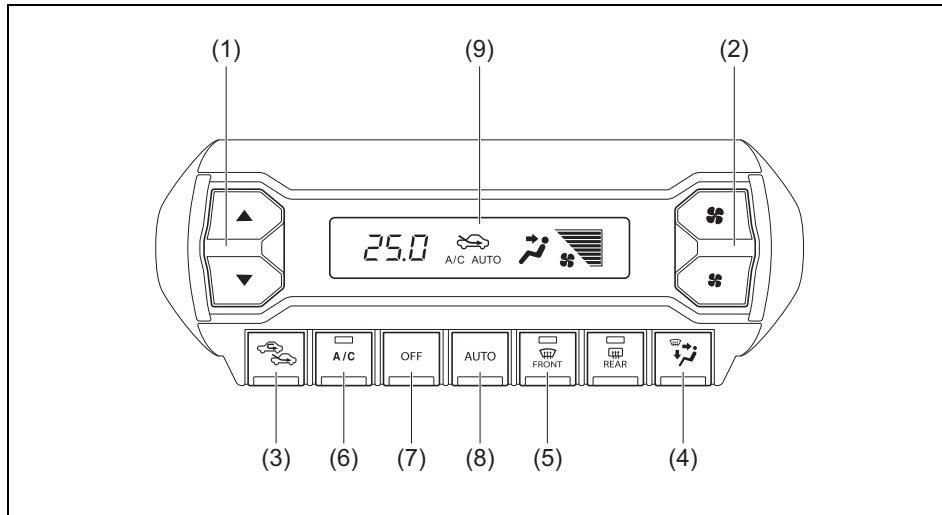
NOTICE
Using the wrong refrigerant may damage your air conditioning system. Use R-134a only. Do not mix or replace the R-134a with other refrigerants.

NOTICE
Using the wrong refrigerant may damage your air conditioning system. Use R-1234yf only. Do not mix or replace the R-1234yf with other refrigerants.

OTHER CONTROLS AND EQUIPMENT

Automatic heating and air conditioning system (climate control)

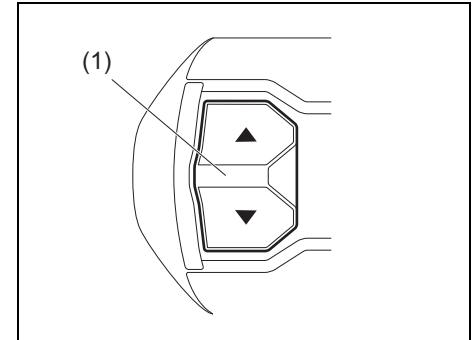
Description of controls



75RM025

- (1) Temperature selector
- (2) Blower speed selector
- (3) Air intake selector
- (4) Air flow selector
- (5) Defrost switch
- (6) Air conditioning switch
- (7) "OFF" switch
- (8) "AUTO" switch
- (9) Display

Temperature selector (1)



75RM026

Push the temperature selector (1) up or down to adjust the temperature.

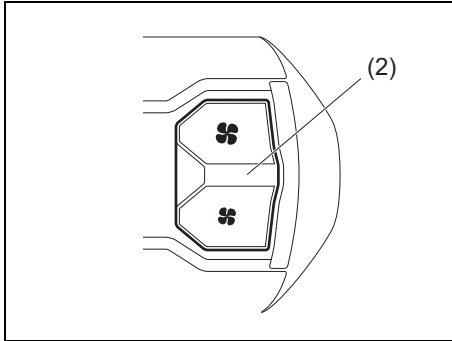
NOTE:

If you push the temperature selector (1) until "HI" or "LO" appears on the display, the climate control system will operate at maximum heating or cooling. The temperature of the air from the outlets may change suddenly while "LO" or "HI" is displayed, but this is normal.

NOTE:

When you change the unit of temperature in the information display, the unit of temperature in the air conditioning system will be changed. Refer to "Information display (instrument cluster with tachometer)" in the "BEFORE DRIVING" section for details.

Blower speed selector (2)

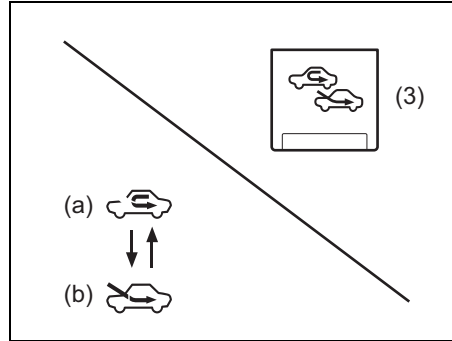


75RM027

The blower speed selector (2) is used to turn on the blower and to select blower speed.

If "AUTO" switch (8) is pushed, the blower speed will vary automatically as the climate control system maintains the selected temperature.

Air intake selector (3)



75RM028

Push the air intake selector (3) to change between the following modes.

If "AUTO" switch (8) is pushed, the air intake will vary automatically as the climate control system maintains the selected temperature.

NOTE:

When you select the recirculated air mode, the automatic operation system is deactivated if you push "AUTO" switch (8).

RECIRCULATED AIR (a)

When this mode is selected, inside air is recirculated. This mode is suitable when driving through an area with polluted air such as a tunnel, or when attempting to quickly cool down the vehicle.

FRESH AIR (b)

When this mode is selected, outside air is introduced.

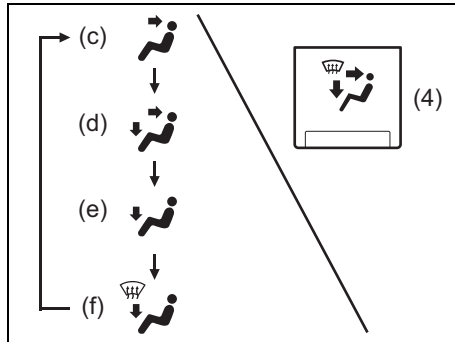
FRESH AIR and RECIRCULATED AIR are selected alternately each time the air intake selector is pushed.

NOTE:

If you select RECIRCULATED AIR for an extended period of time, the air in the vehicle can become contaminated. Therefore, you should occasionally select FRESH AIR.

OTHER CONTROLS AND EQUIPMENT

Air flow selector (4)

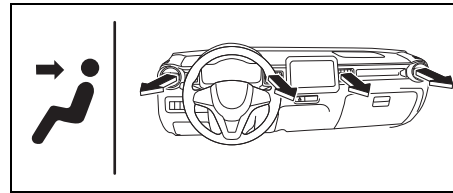


75RM029

Push the air flow selector (4) to change among the following functions. The indication of the selected mode appears on the display.

If “AUTO” switch (8) is pushed, the air flow will vary automatically as the climate control system maintains the selected temperature.

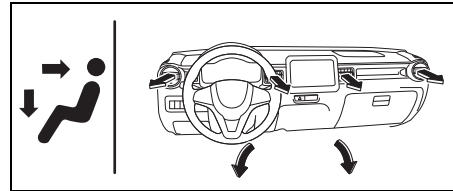
VENTILATION (c)



75RM352

Temperature-controlled air comes out of the center, side and rear air outlets.

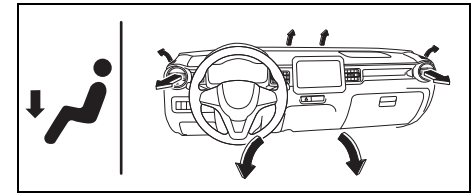
BI-LEVEL (d)



75RM353

Temperature-controlled air comes out of the floor outlets and cooler air comes out of the center, side and rear outlets. When the temperature selector (1) is in the fully cold position or fully hot position, however, the air from the floor outlets and the air from the center, side and rear outlets will be the same temperature.

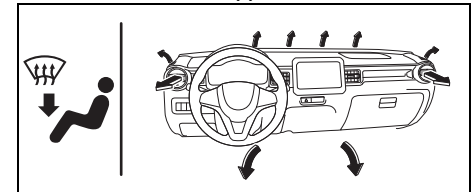
HEAT (e)



75RM354

Temperature-controlled air comes out of the floor outlets and the side outlets, a small amount of air comes out of the windshield defroster outlets and also comes slightly out of the side defroster outlets.

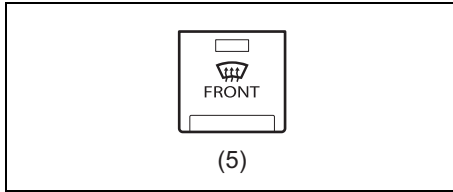
HEAT & DEFROST (f)



75RM358

Temperature-controlled air comes out of the floor outlets, the windshield defroster outlets, the side defroster outlets and the side outlets.

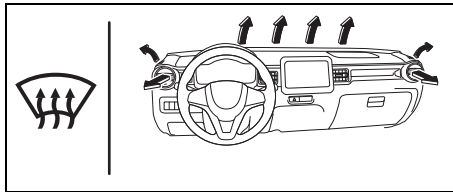
Defrost switch (5)



75RM030

Push the defrost switch (5) to turn on the defroster.

DEFROST



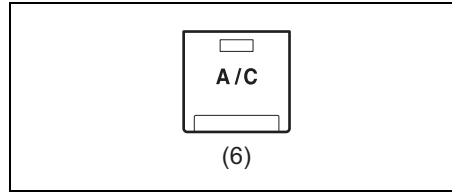
75RM356

Temperature-controlled air comes out of the windshield defroster outlets, the side defroster outlets and the side outlets.

NOTE:

When the defrost switch (5) is pushed to turn on the defroster, the air conditioning system will come on and FRESH AIR mode will be selected automatically. In very cold weather, however, the air conditioning system will not turn on.

Air conditioning switch (6)

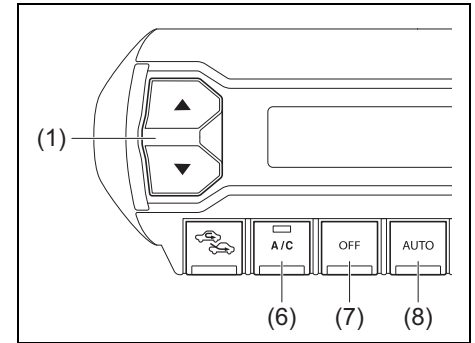


75RM031

The air conditioning switch (6) is used to turn on and off the air conditioning system only when the blower is on. To turn on the air conditioning system, push in the switch and "A/C" will appear on the display. To turn off the air conditioning system, push in the switch again and "A/C" will go off.

System operating instructions

Automatic operation



75RM032

You can let the climate control system work automatically. To set the system for fully-automatic operation, follow the procedure below.

- 1) Start the engine.
- 2) Push "AUTO" switch (8).
- 3) Set the desired temperature by pushing the temperature selector (1).

The blower speed, air intake and air flow are controlled automatically to maintain the set temperature. However, the air flow is not changed to DEFROST position automatically.

NOTE:

When you select the recirculated air mode, the automatic operation system is deactivated if you push "AUTO" switch (8).

OTHER CONTROLS AND EQUIPMENT

You can use the air conditioning switch (6) to manually turn the air conditioner on or off according to your preference. When you turn the air conditioning switch off, the climate control system cannot lower the inside temperature below outside temperature.

To turn the climate control system off, push "OFF" switch (7).

NOTE:

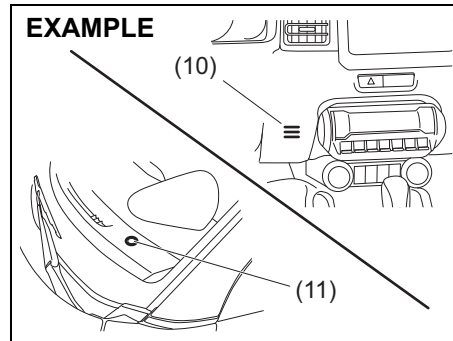
If "AUTO" on the display blinks, there is a problem in the heating system and/or air conditioning system. You should have the system inspected by a SUZUKI dealer.

NOTE:

- To find the temperature at which you are most comfortable, start with the 22°C (72°F) or 25°C (75°F) setting. (the temperature vary depending on vehicle specifications.)
- If you push the temperature selector (1) until "HI" or "LO" appears on the display, the climate control system will operate at maximum heating or cooling and the blower will run at full speed.
- To avoid blowing cold air in cold weather or hot air in hot weather, the system will delay turning on the blower until warmed or chilled air is available.
- If your vehicle has been left in the sun with the windows closed, it will cool faster if you open the windows briefly.
- Even under the automatic operation, you can set individual selectors to the manual mode. The manually selected functions

are maintained, and the other functions remain under automatic operation.

- If the windshield and/or the front door windows are fogged, push the defrost switch (5) to turn on the defroster, or push the air flow selector (4) to change the air flow to HEAT & DEFROST position to defog the windows.
- To return the blower speed selector (2), air intake selector (3), and air flow selector (4) to automatic operation, push "AUTO" switch (8).

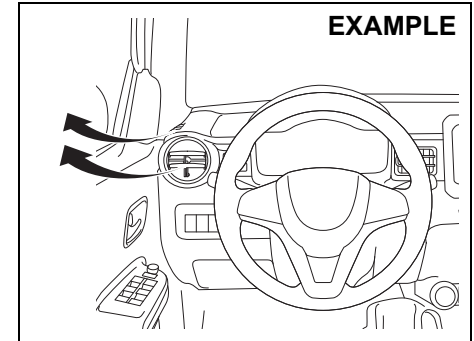


75RM148

Be careful not to cover the interior temperature sensor (10) located between the steering wheel and the climate control panel, or the solar sensor (11) located at the top of the driver's side dashboard. These sensors are used by the automatic system to regulate temperature.

Manual operation

You can manually control the climate control system. Set the selectors to the desired positions.



75RM357

NOTE:

If you need maximum defrosting:

- push the defrost switch (5) to turn on the defroster (the air conditioning system will come on and FRESH AIR mode will be selected automatically),
- set the blower speed selector to high,
- adjust the temperature selector to "HI" indication on the display, and
- adjust the side outlets so the air blows on the side windows.

**Models with ENG A-STOP System
(if equipped)**

- If the heating performance can no longer perform at a sufficient level due to automatically stopping the engine, press the ENG A-STOP OFF switch to deactivate the ENG A-STOP system. (The engine will automatically restart and the air conditioning performance will be restored.)
- If the windshield and/or the driver's side/passenger side door windows are fogged during automatically stopping the engine, stop the ENG A-STOP system and restart the engine. Then, turn the air flow selector (4) to change the air flow to the HEAT & DEFROST or DEFROST position to defog the windows.

Maintenance

If you do not use the air conditioner for a long period, such as during winter, it may not give the best performance when you start using it again. To help maintain optimum performance and durability of your air conditioner, it needs to be run periodically. Operate the air conditioner at least once a month for one minute with the engine idling. This circulates the refrigerant and oil and helps protect the internal components.

If your air conditioner is equipped with air filters, clean or replace them as specified in "Maintenance schedule" in the "INSPECTION AND MAINTENANCE" section. Have this job done by your SUZUKI dealer as the lower glove box must be lowered for this job.

(For vehicles using "HFO-1234yf" refrigerant)

NOTE:

- *Your vehicle uses the air conditioning refrigerant HFO-1234yf, commonly called R-1234yf. R-1234yf replaced R-134a for automotive applications. Other refrigerants are available, but only R-1234yf should be used in your vehicle.*

(For the country of Singapore)

- *For repair and parts replacement, have your vehicle repaired or replaced parts by an authorized SUZUKI dealer that has the mechanic qualified with SAE J2845 for air conditioner of R-1234yf.*

NOTICE

Using the wrong refrigerant may damage your air conditioning system. Use R-1234yf only. Do not mix or replace the R-1234yf with other refrigerants.

(Except for vehicles using "HFO-1234yf" refrigerant)

NOTE:

Your vehicle uses the air conditioning refrigerant HFC-134a, commonly called R-134a. R-134a replaced R-12 around 1993 for automotive applications. Other refrigerants are available, including recycled R-12, but only R-134a should be used in your vehicle.

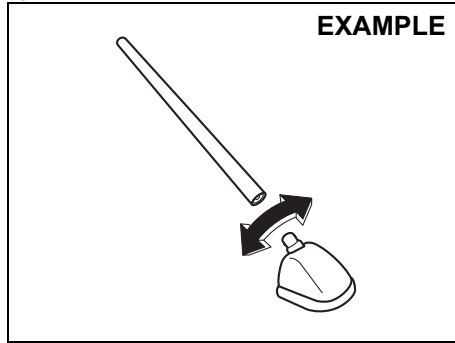
NOTICE

Using the wrong refrigerant may damage your air conditioning system. Use R-134a only. Do not mix or replace the R-134a with other refrigerants.

OTHER CONTROLS AND EQUIPMENT

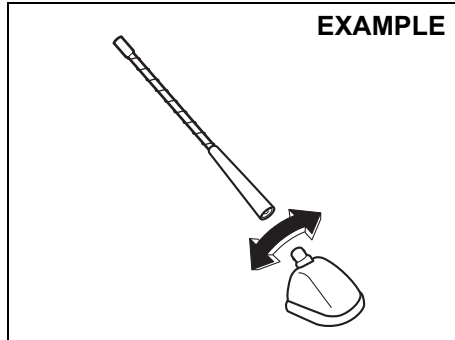
Radio antenna

Type A



75RM301

Type B



61MM0A113

The radio antenna on the roof is removable. To remove the antenna, turn it counterclockwise. To reinstall the antenna, turn it clockwise firmly by hand.

NOTICE

To avoid damage to the radio antenna:

- Remove the antenna when using an automatic car wash.
- Remove the antenna when the antenna hits anything such as a low ceiling in a parking garage or putting a car cover over your vehicle.

Installation of radio frequency transmitters

NOTE:

When you intend to use Radio Frequency (RF) transmitting equipment in your vehicle, refer to "Installation of radio frequency (RF) transmitting equipment" in the end of this book.

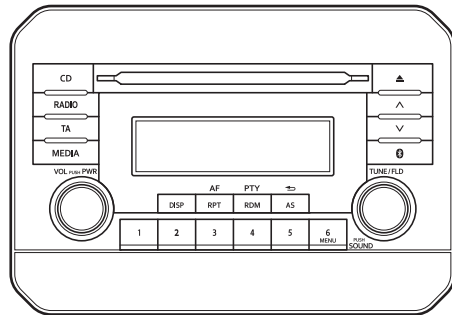
NOTICE

Improper installation of mobile communication equipment such as cellular telephones, CB (Citizen's Band) radios or any other wireless transmitters may cause electronic interference with your vehicle's ignition system or any other electrical systems, resulting in vehicle performance problems. Consult your SUZUKI dealer or qualified service technician for advice.

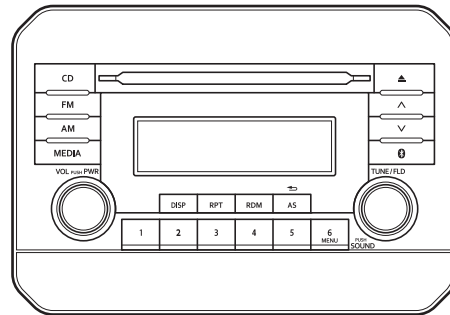
Audio system (Type A / Type B / Type C) (if equipped)

EXAMPLE

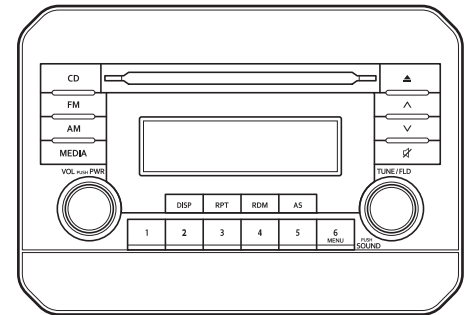
Type A



Type B



Type C



- Type A: AM/FM/DAB CD player with Bluetooth® function
- Type B: AM/FM CD player with Bluetooth® function
- Type C: AM/FM CD player without Bluetooth® function

75RM080

OTHER CONTROLS AND EQUIPMENT

Safety information

⚠ WARNING

If you pay too much attention to operating the audio system or viewing the audio system display while driving, an accident can occur. If you set the sound volume too loud, it could prevent you from being aware of road and traffic conditions.

- Keep your eyes on the road and your mind on the drive. Avoid paying too much attention to operating the audio system or viewing the audio system display.
- Familiarize yourself with the audio system controls and operation of the audio system before driving.
- Preset your favorite radio stations before driving so that you can quickly tune to them using the presets.
- Set the sound volume to a level that will allow you to continue to be aware of road and traffic conditions while driving.

Notes on discs

Precautions

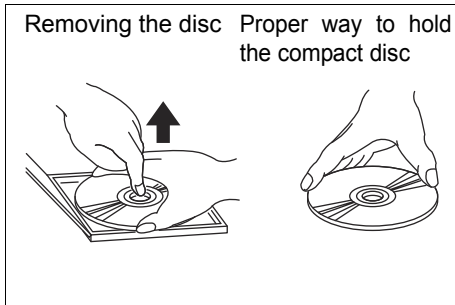
- When the inside of the vehicle is very cold and the player is used soon after switching on the heater, condensation may form on the disc or the optical parts of the player and proper playback may not be possible. If condensation forms on the disc, wipe it off with a soft cloth. If condensation forms on the optical parts of the player, do not use the player for about one hour. This will allow the condensation to disappear normally.
- Driving on extremely bumpy roads which cause severe vibrations may cause sound to skip.
- This unit uses a precision mechanism. Even in the event that trouble arises, never open the case, disassemble the unit, or lubricate the rotating parts. Bring the unit to a SUZUKI dealer.

Cautions on handling



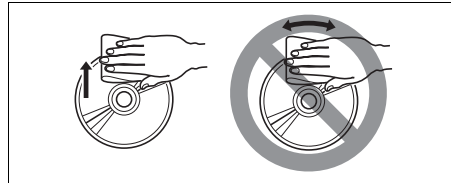
52D274

This unit has been designed specifically for playback of compact discs bearing mark (A) shown above. No other discs can be played.

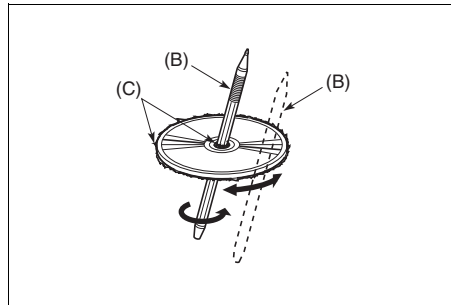


To remove the compact disc from its storage case, press down on the center of the case and lift the disc out, holding it carefully by the edges.

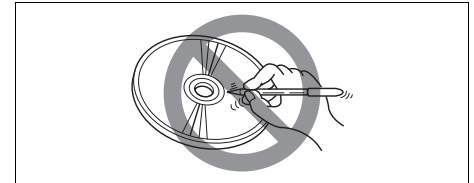
Always handle the compact disc by the edges.
Never touch the surface.



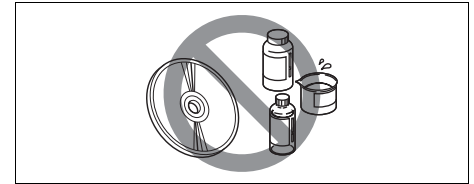
To remove fingermarks and dust, use a soft cloth, and wipe in a straight line from the center of the compact disc to the circumference.



New discs may have some roughness around the edges. The unit may not work or the sound may skip if such discs are used. Use a ball-point pen (B), etc. to remove the roughness (C) from edges of the disc before inserting it into the unit.

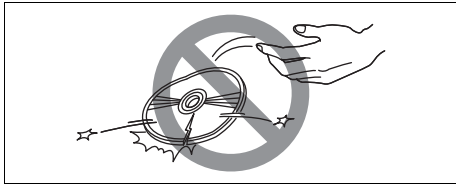


Never stick labels on the surface of the compact disc or write on the surface with a pencil or pen.



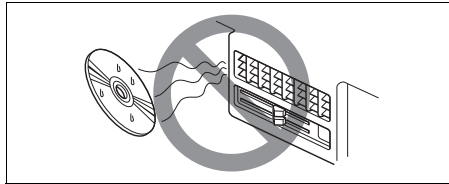
Do not use any solvents such as commercially available cleaners, anti-static spray, or thinner to clean compact discs.

OTHER CONTROLS AND EQUIPMENT



52D350

Do not use compact discs that have large scratches, are misshaped, or cracked, etc. Use of such discs will cause damage or prevent the system from operating properly.



52D351

Do not expose compact discs to direct sunlight or any heat source.

NOTE:

- *Do not use commercially available CD protection sheets or discs equipped with stabilizers, etc. These may get caught in the internal mechanism and damage the disc.*
- *It may be impossible to play CD-R discs with this unit due to the recording conditions.*
- *CD-RW discs cannot be played with this unit.*

WARNING

This is a class I laser product. Use of controls or adjustments or performance of procedures other than those specified herein may result in hazardous radiation exposure.

Do not open covers and do not attempt to repair this unit by yourself.

Ask an authorized dealer for the repair.



The Bluetooth® word mark and logo are registered trademarks and are owned by the Bluetooth SIG, Inc.

Stop using this unit and a Bluetooth® ready device whenever requested.

This unit shares the communication frequency with other private or public wireless communication equipment such as a wireless LAN and other wireless communication radios.

You should stop using this unit whenever you are notified that your unit disturbs other wireless communication immediately.



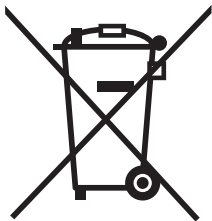
Access to <http://www.ptc.panasonic.eu/>, enter the below

Model No. into the keyword search box, you can download the latest “DECLARATION of CONFORMITY” (DoC).

Set No. AZ1601

OTHER CONTROLS AND EQUIPMENT

Information on disposal for users of waste electrical & electronic equipment (private households)



This symbol on the products and/or accompanying documents means that used electrical and electronic products should not be mixed with general household waste.

For proper treatment, recovery and recycling, please take these products to designated collection points, where they will be accepted on a free of charge basis. Alternatively, in some countries you may be able to return your products to your local retailer upon the purchase of an equivalent new product.

Disposing of this product correctly will help to save valuable resources and prevent any potential negative effects on human health and the environment which could otherwise arise from inappropriate waste handling. Please contact your local authority for further details of your nearest designated collection point.

Penalties may be applicable for incorrect disposal of this waste, in accordance with national legislation.

For business users in the European Union

If you wish to discard electrical and electronic equipment, please contact your dealer or supplier for further information.

Information on disposal in other countries outside the European Union

This symbol is only valid in the European Union.

If you wish to discard this product, please contact your local authorities or dealer and ask for the correct method of disposal.

Part 15 of the FCC Rules

FCC ID: ACJ932AZ1601

NOTE:

Properly shielded and grounded cables and connectors must be used for connection to host computers and/or peripherals in order to meet FCC emission limits.

WARNING

RF Exposure

This equipment complies with FCC radiation exposure limits set forth for an uncontrolled environment and meets the FCC radio frequency (RF) Exposure Guidelines. This equipment has very low levels of RF energy that it deemed to comply without maximum permissive exposure evaluation (MPE). [But it is desirable that it should be installed and operated keeping the radiator at least 20 cm or more away from person's body.]

CAUTION

Changes or modifications not expressly approved by the party responsible for compliance could void the user's authority to operate the equipment.

WARNING

This is a class I laser product. Use of controls or adjustments or performance of procedures other than those specified herein may result in hazardous radiation exposure.

Do not open covers and do not attempt to repair this unit by yourself. Ask an authorized dealer for the repair.



The Bluetooth® word mark and logo are registered trademarks and are owned by the Bluetooth SIG, Inc.

NOTE:

This equipment complies with FCC radiation exposure limits set forth for uncontrolled equipment and meets the FCC radio frequency (RF) Exposure Guidelines in Supplement C to OET65. This equipment has very low level of RF energy which does not comply with maximum permissive exposure (MPE) evaluation. But it is desirable that it should be installed and operated with at least 20cm and more between the radiator and person's body (excluding extremities: hands, wrists, feet and ankles).

Stop using this unit and a Bluetooth® ready device whenever requested.

This unit shares the communication frequency with other private or public wireless communication equipment such as a wireless LAN and other wireless communication radios.

You should stop using this unit whenever you are notified that your unit disturbs other wireless communication immediately.

OTHER CONTROLS AND EQUIPMENT

NOTE:

These limits are designed to provide reasonable protection against harmful interference in a residential installation. This equipment generates, uses and can radiate radio frequency energy and, if not installed and used in accordance with the instructions, may cause harmful interference to radio communications. However, there is no guarantee that interference will not occur in a particular installation. If this equipment does cause harmful interference to radio or television reception, which can be determined by turning the equipment off and on, the user is encouraged to try to correct the interference by one or more of the following measures:

- *Reorient or relocate the receiving antenna.*
- *Increase the separation between the equipment and receiver.*
- *Connect the equipment into an outlet on a circuit different from that to which the receiver is connected.*
- *Consult the dealer or an experienced radio/TV technician for help.*
- *This transmitter must not be co-located or operated in conjunction with any other antenna or transmitter.*

Basic operations

Turning on/off power

Press “VOL PUSH PWR” knob (1) to turn on the power. The unit starts to operate in the previous setting that the power was turned off.

Adjusting the volume

Turn “VOL PUSH PWR” knob (1). Turning it clockwise increases the volume; turning it counterclockwise decreases the volume.

NOTE:

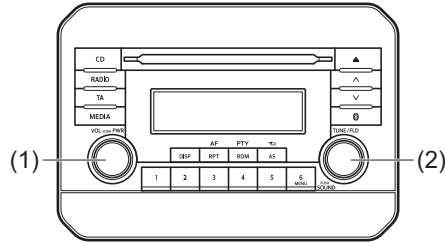
For the purposes of safe driving, adjust the audio volume to a level that allows you to hear sounds outside of the vehicle including car horns and particularly emergency vehicle sirens.

Mute

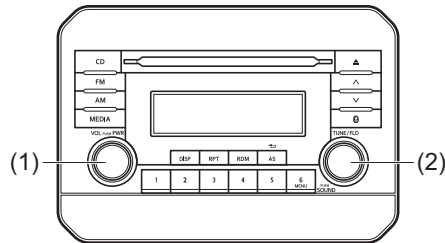
Press MUTE button (3) to mute the sound. To cancel the mute, press MUTE button (3) again.

EXAMPLE

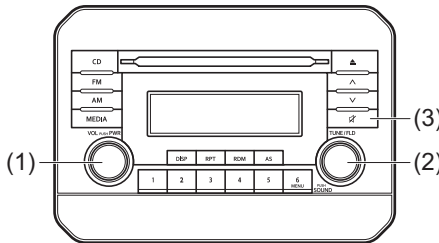
Type A



Type B



Type C



75RM081

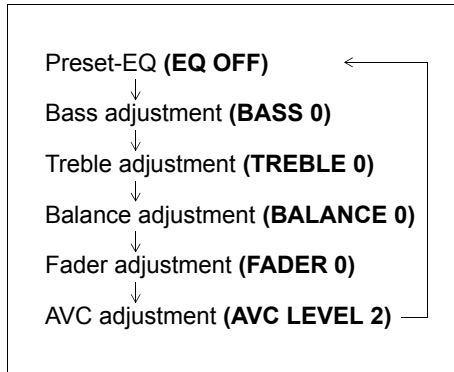
- (1) “VOL PUSH PWR” knob
- (2) “TUNE/FLD PUSH SOUND” knob
- (3) MUTE button

OTHER CONTROLS AND EQUIPMENT

Adjusting bass/treble/balance/fader

- 1) Press "TUNE/FLD PUSH SOUND" knob (2).

Each time the knob is pressed, sound adjustment will change as follows:



- 2) Turn "TUNE/FLD PUSH SOUND" knob (2) to adjust the sound.

Adjusting the AVC (Auto volume control)

The Auto Volume Control (AVC) function automatically adjusts (increases/decreases) the sound volume in accordance with vehicle speed. The AVC control is provided with three selectable levels (LEVEL OFF, 1, 2, 3). The range of volume adjustment increases together with the LEVEL number.

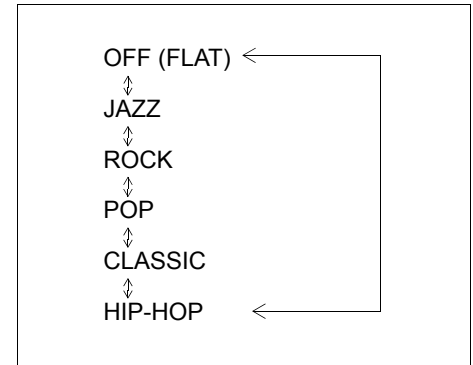
- 1) Press "TUNE/FLD PUSH SOUND" knob (2) until the AVC adjustment mode is selected.
- 2) Turn "TUNE/FLD PUSH SOUND" knob (2) to select the desired AVC adjustment level. (Initial setting: LEVEL 2)

Preset-EQ

Preset-EQ calls up various sound types in accordance with the listening music type.

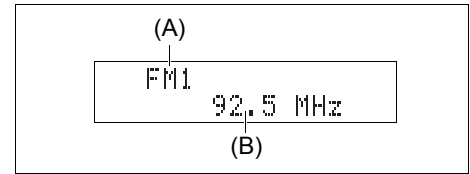
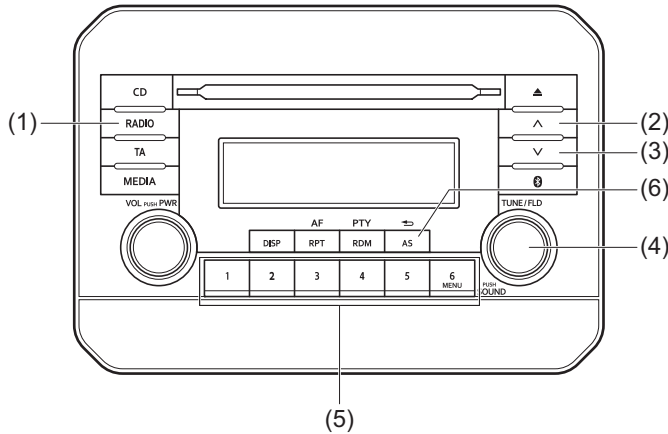
- 1) Press "TUNE/FLD PUSH SOUND" knob (2) several times until "PRESET-EQ" appears.
- 2) Turn "TUNE/FLD PUSH SOUND" knob (2).

Each time the knob is turned, preset EQ mode will change as follows:



Listening to the radio (Type A)

EXAMPLE



68LM561

- (1) "RADIO" button
- (2) UP button
- (3) DOWN button
- (4) "TUNE/FLD PUSH SOUND" knob
- (5) PRESET buttons ([1] to [6])
- (6) "AS" button

- (A) Band
- (B) Frequency

75RM082

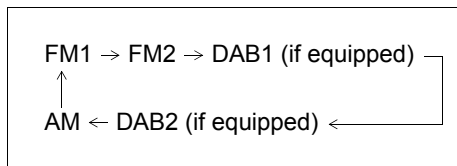
Display

OTHER CONTROLS AND EQUIPMENT

Selecting the reception band

Press the "RADIO" button (1).

Each time the button is pressed, the reception band will change as follows:



Seek tuning

Press UP button (2) or DOWN button (3).

The unit stops searching for a station at a frequency where a broadcast station is available.

NOTE:

If AF is on, the unit searches for RDS stations only.

Manual tuning

Turn "TUNE/FLD PUSH SOUND" knob (4).

The frequency being received is displayed.

Preset memory

- 1) Select the desired station.
- 2) Hold down a desired button ([1] to [6]) of PRESET buttons (5) to which you want to store the station for 2 seconds or longer.

Auto store

Hold down "AS" button (6) for 2 seconds or longer.

6 stations in good reception will automatically be stored to PRESET buttons (5) in order, starting from a station whose frequency is the lowest.

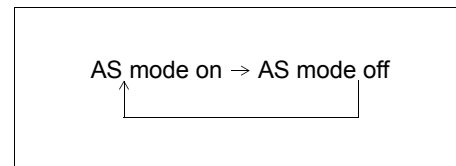
NOTE:

- Auto store can be released by pressing "AS" button (6) while auto store is under way.
- When the auto store is performed, the station previously stored in the memory at the position is overwritten.
- When there are fewer than 6 stations that can be stored even if 1 round of auto store operation is performed, no station will be stored at the remaining PRESET buttons (5).
- 6 stations can be preset for FM1 and FM2 in common, and 6 stations for AM in auto store mode.
- If AF is on, the unit searches for RDS stations only.

Auto store mode on/off

Press "AS" button (6).

Each time the button is pressed, the mode is switched as follows:

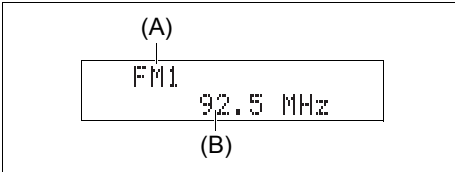


Radio reception

Radio reception can be affected by environment, atmospheric conditions, or radio signal's power and distance from the station. Nearby mountains and buildings may interfere or deflect radio reception, causing poor reception. Poor reception or radio static can also be caused by electric current from overhead wires or high voltage power lines.

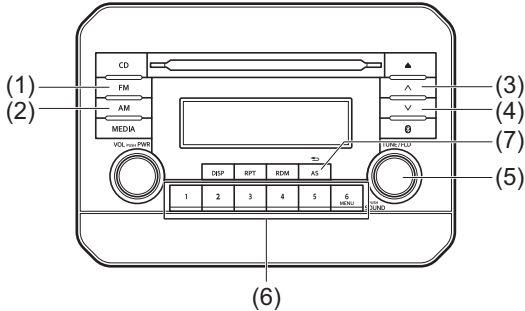
Listening to the radio (Type B / Type C)

Display

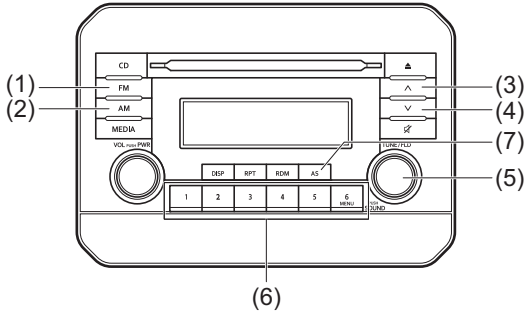


Type B

EXAMPLE



Type C



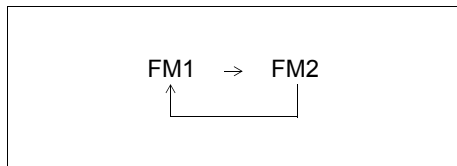
- (1) "FM" button
 - (2) "AM" button
 - (3) UP button
 - (4) DOWN button
 - (5) "TUNE/FLD PUSH SOUND" knob
 - (6) PRESET buttons ([1] to [6])
 - (7) "AS" button
- (A) Band
 - (B) Frequency

75RM083

OTHER CONTROLS AND EQUIPMENT

Selecting the FM band

Press “FM” button (1).
Each time the button is pressed, the reception band will change as follows:



Selecting the AM band

Press “AM” button (2).

Seek tuning

Press UP button (3) or DOWN button (4).
The unit stops searching for a station at a frequency where a broadcast station is available.

Manual tuning

Turn “TUNE/FLD PUSH SOUND” knob (5).
The frequency being received is displayed.

Preset memory

- 1) Select the desired station.
- 2) Hold down a desired button ([1] to [6]) of the PRESET buttons (6) to which you want to store the station for 2 seconds or longer.

Auto store

Hold down “AS” button (7) for 2 seconds or longer.

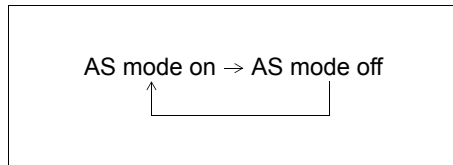
6 stations in good reception will automatically be stored to PRESET buttons (6) in order, starting from a station whose frequency is the lowest.

NOTE:

- Auto store can be released by pressing “AS” button (7) while auto store is under way.
- When the auto store is performed, the station previously stored in the memory at the position is overwritten.
- When there are fewer than 6 stations that can be stored even if 1 round of auto store operation is performed, no station will be stored at the remaining PRESET buttons (6).
- 6 stations can be preset for FM1 and FM2 in common, and 6 stations for AM in auto store mode.

Auto store mode on/off

Press “AS” button (7).
Each time the button is pressed, the mode is switched as follows:

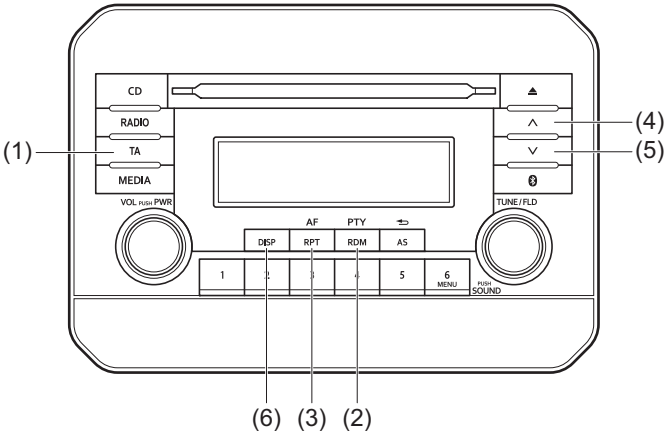


Radio reception

Radio reception can be affected by environment, atmospheric conditions, or radio signal's power and distance from the station. Nearby mountains and buildings may interfere or deflect radio reception, causing poor reception. Poor reception or radio static can also be caused by electric current from overhead wires or high voltage power lines.

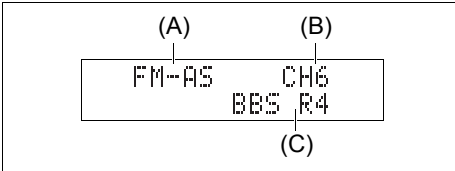
Using the RDS functions (Type A)

EXAMPLE



75RM084

Display



68LM562

- (1) "TA" button
- (2) "RDM/PTY" button
- (3) "RPT/AF" button
- (4) UP button
- (5) DOWN button
- (6) "DISP" button

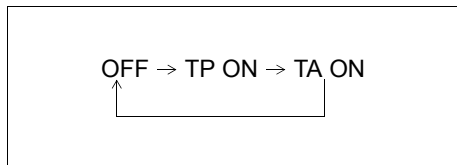
- (A) Band
- (B) Channel number
- (C) Program service (PS) name

OTHER CONTROLS AND EQUIPMENT

TA (Traffic Announcement) on/off

Press "TA" button (1).

Each time it is pressed, TA adjustment is changed as follows:



NOTE:

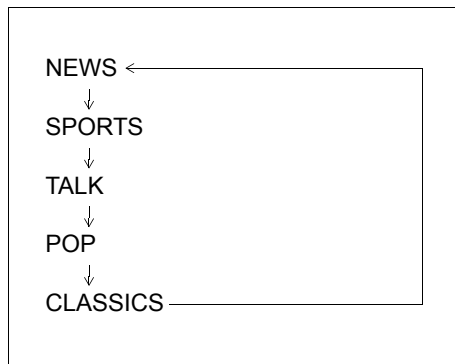
- For listening to only traffic information, activate TA. Once traffic information starts, the volume changes automatically.
- "TP" indicator lights up when TP (Traffic Program) is on. It blinks when no TP data is received.
- "TA" indicator lights while TA is activated. On the other hand, "TA" indicator blinks if the TP data cannot be received.
- If UP button (4) or DOWN button (5) is pressed while TA or TP is set to on, the unit searches for a TP station.
- If no TP station is received, the unit displays "TP NOTHING".

PTY (Program Type) search

1) Press "RDM/PTY" button (2) to select PTY mode.

2) Press "RDM/PTY" button (2) while PTY is displayed.

Each time it is pressed, PTY adjustment is changed as follows:



3) Press UP button (4) or DOWN button (5) while PTY is displayed.

Search begins.

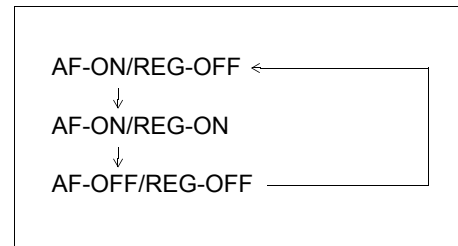
NOTE:

If no PTY information is received, the unit displays "NOPTY".

AF (Alternative Frequency) on/off

Press "RPT/AF" button (3).

Each time it is pressed, AF adjustment is changed as follows:



AF: If the reception condition becomes poor, the frequency of the same program with good reception is automatically searched.

REG: With regard to the automatically searched frequency with AF activated, the alternative frequency of the same program is searched within the present region when REG is activated.

NOTE:

"AF" indicator lights up when AF is on. In addition, "REG" indicator lights up when REG is on.

TA standby

At the moment traffic information is received while the source is set to CD, USB, iPod, AUX, DAB, or Bluetooth® audio with TA activated, the source is automatically changed to radio. After reception of traffic information, the source, which was selected before being changed to radio, resumes.

NOTE:

If no TP station can be received while the unit stands by for TA, it automatically searches for a TP station.

EON (Enhanced Other Network)

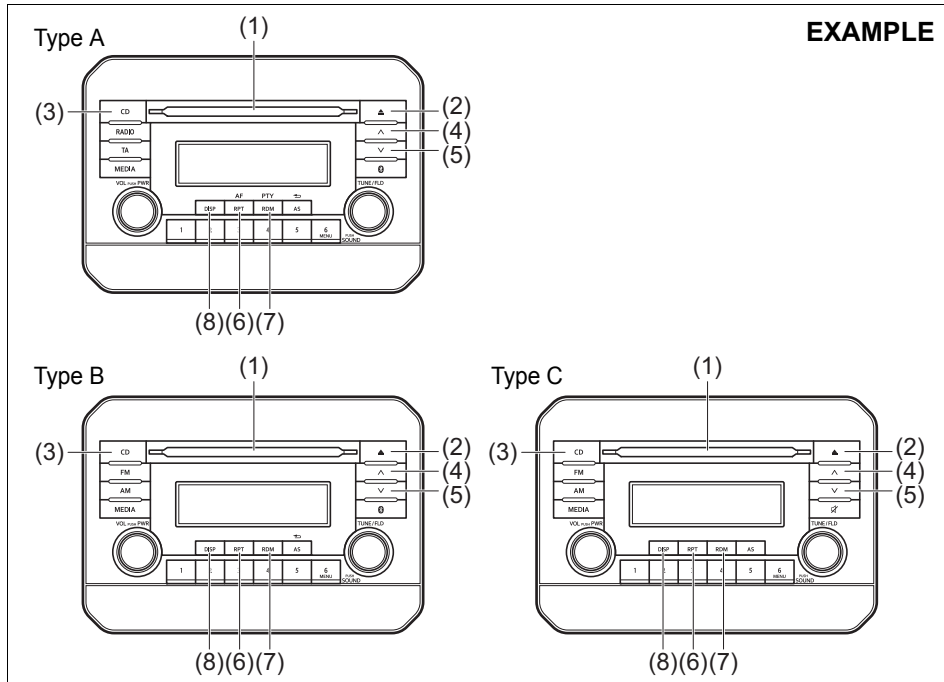
When the EON data is received with TP or TA activated, “EON” indicator lights up, and the traffic information from a network other than the currently received station is allowed to be received.

Emergency announcement reception

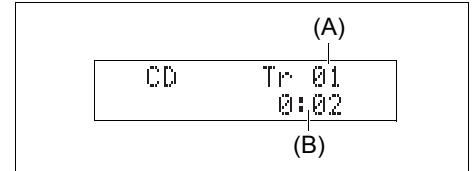
Emergency announcements are automatically received and displayed.

OTHER CONTROLS AND EQUIPMENT

Listening to a CD



Display



- (1) Insertion slot
- (2) EJECT button
- (3) “CD” button
- (4) UP button
- (5) DOWN button
- (6) “RPT” button
- (7) “RDM” button
- (8) “DISP” button

- (A) Track number
- (B) Play time

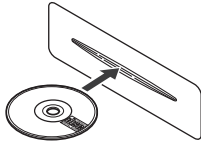
NOTE:

This product does not support 8 cm CD (sometimes called as “mini single CD”, “3-inch CD”, “CD3”, etc.).

75RM085



- CDs or CD-ROMs without mark (A) cannot be used.
- Some discs recorded in CD-R/CD-RW format may sometimes be impossible to use.



- A CD is to be inserted with its label side up.
- When there is a CD already in the unit, it is impossible to insert another CD without ejecting the CD in the unit. Do not use force to insert a CD into the CD insertion slot.

NOTICE

- Never insert your finger or hand into the CD insertion slot. Never insert foreign objects.
- Never insert a CD with glue coming out from adhesive tape or a rental CD label or with a trace indicating that adhesive tape or a rental CD label has been removed. This may cause the CD not to eject or result in a malfunction.

Loading a CD

Insert a CD in the insertion slot (1).
When the CD is loaded, it starts to play.

Ejecting a CD

Press EJECT button (2).
When the ignition switch is in "LOCK" position or the engine switch is in LOCK (OFF) mode, the CD remained ejected for around 15 seconds or longer will automatically be drawn inside the unit. (Auto reload function)
The backup eject function:
This function allows you to eject a CD by pressing EJECT button (2) even when the ignition switch is in "LOCK" position or the engine switch is in LOCK (OFF) mode.

NOTICE

If you forcefully try to push an ejected CD inside the unit before auto reloading, the disc surface might be scratched.
Before reloading a CD, remove it from the unit completely.

Listening to a CD

When a CD is inserted, playback will automatically start.
When a CD is already inside the unit, press "CD" button (3) to start playback.

Selecting a track

- Press UP button (4) to listen to the next track.
- Press DOWN button (5) twice to listen to the previous track.
When DOWN button (5) is pressed once, the track currently being played will start from the beginning again.

Fast forwarding/rewinding a track

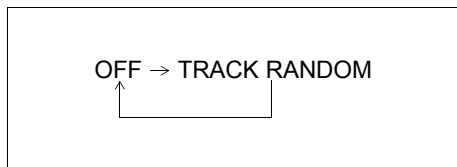
- Hold down UP button (4) to fast forward the track.
- Hold down DOWN button (5) to fast rewind the track.

OTHER CONTROLS AND EQUIPMENT

Random playback

Press “RDM” button (7).

Each time the button is pressed, the mode will change as follows:



- **TRACK RANDOM**

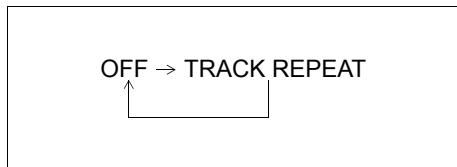
The random indicator “RDM” will light.

The tracks in the loaded disc will be played in random order.

Repeat playback

Press “RPT” button (6).

Each time the button is pressed, the mode will change as follows:



- **TRACK REPEAT**

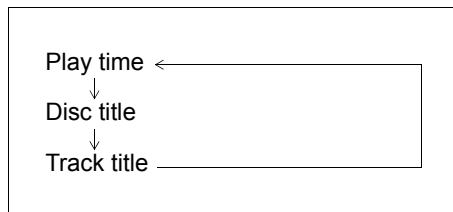
The repeat indicator “RPT” will light.

The track currently being played will be played repeatedly.

Display change

Press “DISP” button (8).

Each time the button is pressed, display will change as follows:

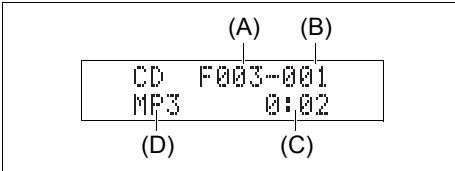


NOTE:

- “NO TITLE” will be displayed when there is no text information in the disc currently being played.
- If text data contains more than 16 characters, “>” mark will appear at the right end. Holding down “DISP” button (8) for 1 second or longer can display the next page.

Listening to an MP3/WMA/AAC disc

Display

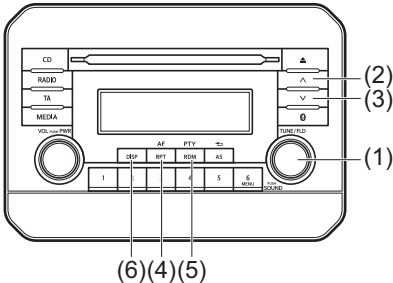


- (1) "TUNE/FLD PUSH SOUND" knob
- (2) UP button
- (3) DOWN button
- (4) "RPT" button
- (5) "RDM" button
- (6) "DISP" button

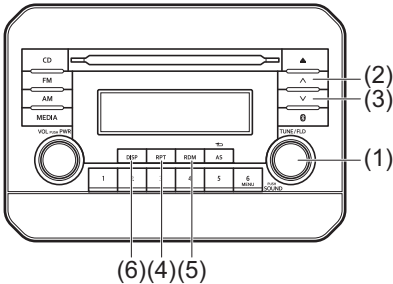
- (A) Folder number
- (B) Track number
- (C) Play time
- (D) File type

EXAMPLE

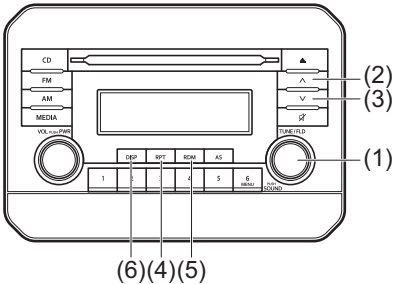
Type A



Type B



Type C



75RM086

OTHER CONTROLS AND EQUIPMENT

Selecting a folder

Turn “TUNE/FLD PUSH SOUND” knob (1) to select a folder.

Selecting a track

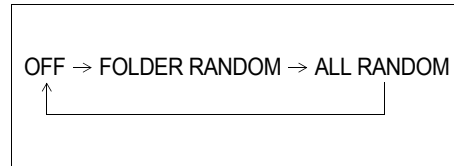
- Press UP button (2) to listen to the next track.
- Press DOWN button (3) twice to listen to the previous track.
When DOWN button (3) is pressed once, the track currently being played will start from the beginning again.

Fast forwarding/rewinding a track

- Hold down UP button (2) to fast forward the track.
- Hold down DOWN button (3) to fast rewind the track.

Random playback

Press “RDM” button (5).
Each time the button is pressed, the mode will change as follows:



- FOLDER RANDOM
The random indicator “F.RDM” will light.
The tracks in the current folder will be played in random order.
- ALL RANDOM
The random indicator “RDM” will light.
The tracks in the loaded disc will be played in random order.

Repeat playback

Press “RPT” button (4).
Each time the button is pressed, the mode will change as follows:

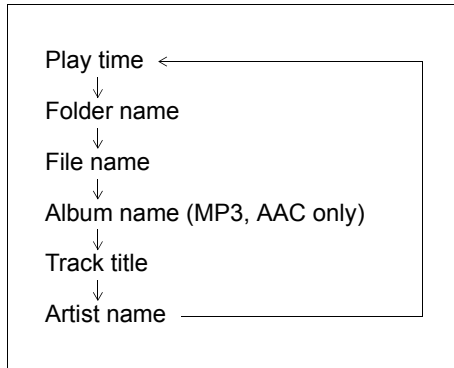


- FILE REPEAT
The repeat indicator “RPT” will light.
The track currently being played will be played repeatedly.
- FOLDER REPEAT
The repeat indicator “F.RPT” will light.
All tracks in the currently selected folder will be played repeatedly.

Display change

Press “DISP” button (6).

Each time the button is pressed, display will change as follows:



NOTE:

- “NO TITLE” will be displayed when there is no text information in the disc currently being played.
- If text data contains more than 16 characters, “>” mark will appear at the right end. Holding down “DISP” button (6) for 1 second or longer can display the next page.

Notes on MP3/WMA/AAC

What is MP3?

- An abbreviation of “MPEG audio layer3”, MP3 is an audio compression format that has become the standard format among PC users. Its merit is that the original audio data is compressed to approximately 1/10 and high sound quality is maintained. This means that it is possible to store the data of approximately 10 music CDs on a single CD-R/RW disc, which in turn makes it possible to play music for a long time without having to change the disc.

What is WMA?

- An abbreviation of “Windows Media Audio,” WMA is an audio compression format developed by Microsoft.
- WMA files for which the DRM (Digital Rights Management) function is on cannot be played.
- Windows Media™ and the Windows® logo are trademarks or registered trademarks of Microsoft Corporation in the United States and other countries.

What is AAC?

- An abbreviation of “Advanced Audio Coding,” AAC is an audio compression format used by MPEG2 and MPEG4.

Points to remember when making MP3/WMA/AAC files

Common

- High bit rate and high sampling frequency are recommended for high quality sounds.
- Selecting VBR (Variable Bit Rate) is not recommended. Selecting VBR may cause display of incorrect playing time and jumpiness of playback.
- Playback sound quality varies depending on the encoding environment. For details, refer to the user manual of the encoding software and the writing software in use.

NOTICE

Never use “.mp3”, “.wma” or “.m4a” as a file name extension if it is not in the MP3/WMA/AAC format file. Failure to observe this may result in damage to the speaker due to noise production.

OTHER CONTROLS AND EQUIPMENT

Recording MP3/WMA/AAC files on a CD media

- It is recommended not to write both CD-DA files and MP3/WMA/AAC files on a disc.
- If both CD-DA files and MP3/WMA/AAC files are on the same disc, tracks may not be played in the correct order or some tracks may not be played at all.
- When storing both MP3 data and WMA data on the same disc, sort and place them in different folders.
- Do not write files other than MP3/WMA/AAC files and unnecessary folders on a disc.
- MP3/WMA/AAC files should be named to meet the standards and the file system specifications as shown below.
- The file extension “.mp3”, “.wma” or “.m4a” should be assigned to files based on their format independently.
- You may encounter a trouble in playing MP3/WMA/AAC files or displaying information of MP3/WMA/AAC files depending on the writing software or CD recorder in use.
- This unit does not have a playlist function.
- It is recommended to write discs in Disc-at-Once mode even though Multi-session mode is supported. These modes are the methods for writing audio data in CD.

Compression formats

MP3

- Bit rate:
 - MPEG1 Audio Layer III: 32 k - 320 kbps
 - MPEG2 Audio Layer III: 8 k - 160 kbps
 - MPEG2.5 Audio Layer III: 8 k - 160 kbps
- Sampling frequency:
 - MPEG1 Audio Layer III: 32 k/44.1 k/48 kHz
 - MPEG2 Audio Layer III: 16 k/22.05 k/24 kHz
 - MPEG2.5 Audio Layer III: 8 k/11.025 k/12 kHz

WMA (Ver. 7, Ver. 8, Ver. 9*)

- Bit rate: CBR 32 k - 320 kbps
- Sampling frequency: 32 k/44.1 k/48 kHz
- * WMA 9 Professional/LossLess/Voice are not supported.

AAC*

- Bit rate: ABR 16 k - 320 kbps
- Sampling frequency: 32 k/44.1 k/48 kHz
- * Apple Lossless is not supported.

Supported file systems

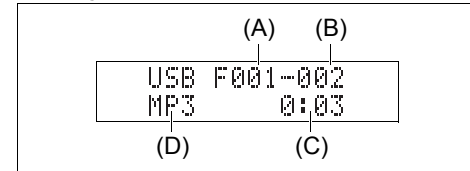
ISO 9660 Level 1/Level 2, Joliet, Romeo

Maximum number of files/folders

- Maximum number of files: 512
- Maximum number of files in a folder: 255
- Maximum depth of tree structure: 8
- Maximum number of folders: 255 (Root folder is included.)

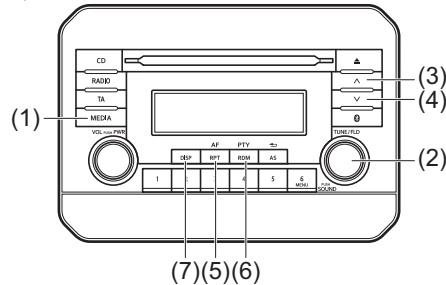
Listening to files stored in a USB device

Display

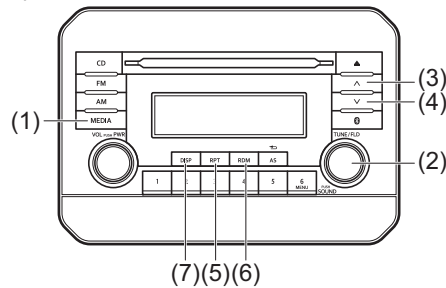


EXAMPLE

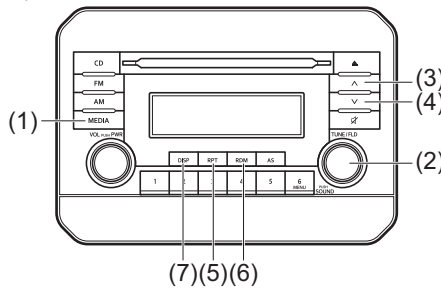
Type A



Type B



Type C



- (1) "MEDIA" button
- (2) "TUNE/FLD PUSH SOUND" knob
- (3) UP button
- (4) DOWN button
- (5) "RPT" button
- (6) "RDM" button
- (7) "DISP" button

- (A) Folder number
- (B) Track number
- (C) Play time
- (D) File type

NOTICE

Do not connect any USB device other than a USB memory or a USB audio player. Do not connect multiple USB devices to the USB connector using a USB hub, etc. Supplying power to multiple USB devices from the connector could cause overheating and smoking.

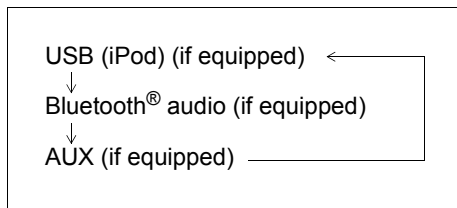
75RM087

OTHER CONTROLS AND EQUIPMENT

Selecting a USB device mode

Press “MEDIA” button (1).

Each time the button is pressed, the mode will change as follows:



Selecting a folder

Turn “TUNE/FLD PUSH SOUND” knob (2) to select the desired folder.

Selecting a track

- Press UP button (3) to listen to the next track.
 - Press DOWN button (4) twice to listen to the previous track.
- When DOWN button (4) is pressed once, the track currently being played will start from the beginning again.

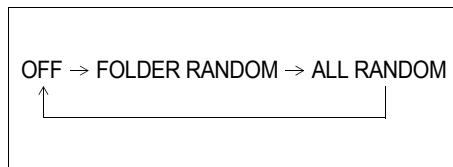
Fast forwarding/rewinding a track

- Hold down UP button (3) to fast forward the track.
- Hold down DOWN button (4) to fast rewind the track.

Random playback

Press “RDM” button (6).

Each time the button is pressed, the mode will change as follows:



- FOLDER RANDOM
The random indicator “F.RDM” will light. The tracks in the currently selected folder will be played in random order.
- ALL RANDOM
The random indicator “RDM” will light. The tracks in the connected USB device will be played in random order.

Repeat playback

Press “RPT” button (5).

Each time the button is pressed, the mode will change as follows:



- FILE REPEAT
The repeat indicator “RPT” will light. The track currently being played will be played repeatedly.

- FOLDER REPEAT

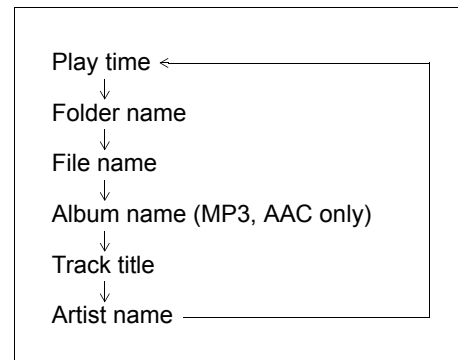
The repeat indicator “F.RPT” will light.

All the tracks in the folder currently selected will be played repeatedly.

Display change

Press “DISP” button (7).

Each time the button is pressed, display will change as follows:



NOTE:

- “NO TITLE” will be displayed when there is no text information in the file currently being played.
- If text data contains more than 16 characters, “>” mark will appear at the right end. Holding down “DISP” button (7) for 1 second or longer can display the next page.

Notes on USB device

Compatible USB devices

- USB mass storage class
For details as to whether your USB memory/USB audio is compatible with USB mass storage class, please contact the USB memory/USB audio manufacturer.
- USB standard compatibility 1.1/2.0 full speed
- File system FAT12/16/32, VFAT
- Maximum current less than 1.0 A
- If devices such as USB hub, extension cable are connected to the audio system, it may not be recognized. In such case, connect the USB device directly to the audio system.
- Devices such as MP3 player/mobile phone/digital camera may not be recognized by the audio system for playing music.

USB device connection

- When connecting a USB device, check that the connector is pushed all the way into the port.
- Do not leave the USB device for long periods of time inside the vehicle where the temperature can rise too high.
- Back up any important data beforehand. We cannot accept responsibility for any lost data.
- It is recommended not to connect a USB device that contains data files other than MP3/WMA/AAC format.

Recording MP3/WMA/AAC files on a USB device

- Playback or display may not be possible depending on the type of USB device in use or the condition of the recording.
- Depending on the connected USB memory, the files may be played in different order from the stored one.

Compression formats

MP3

- Bit rate:
MPEG1 Audio Layer III: 32 k - 320 kbps
MPEG2 Audio Layer III: 8 k - 160 kbps
MPEG2.5 Audio Layer III: 8 k - 160 kbps
- Sampling frequency:
MPEG1 Audio Layer III: 32 k/44.1 k/48 kHz
MPEG2 Audio Layer III: 16 k/22.05 k/24 kHz
MPEG2.5 Audio Layer III: 8 k/11.025 k/12 kHz

WMA (Ver. 7, Ver. 8, Ver. 9*)

- Bit rate: CBR 32 k - 320 kbps
- Sampling frequency: 32 k/44.1 k/48 kHz
- * WMA 9 Professional/LossLess/Voice are not supported.

AAC*

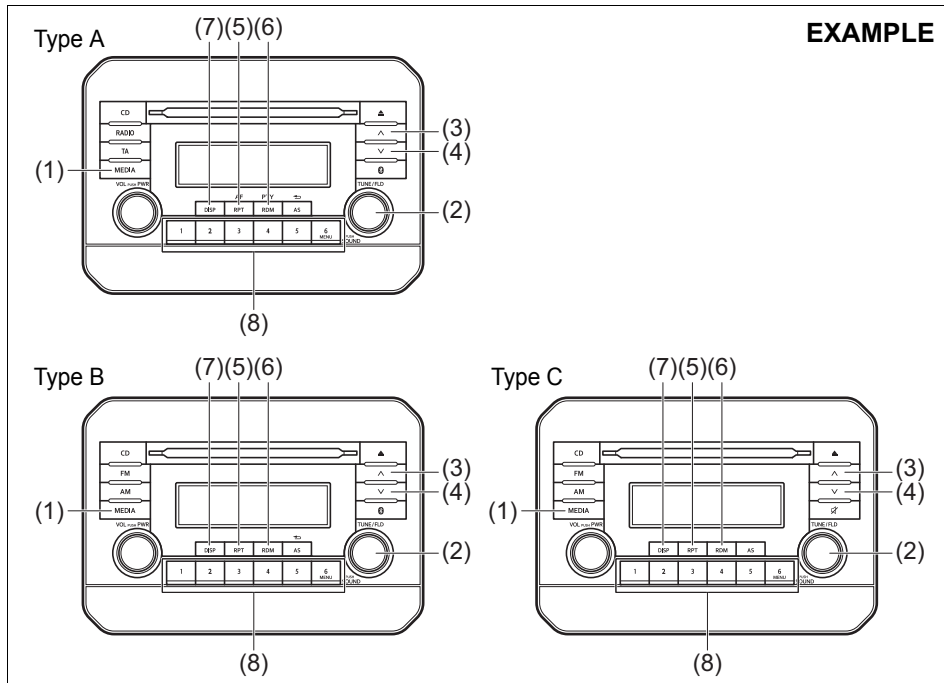
- Bit rate: ABR 16 k - 320 kbps
- Sampling frequency: 32 k/44.1 k/48 kHz
- * Apple Lossless is not supported.

Maximum number of files/folders

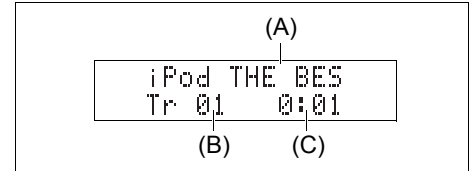
- Maximum number of files: 2500
- Maximum number of files in a folder: 255
- Maximum depth of tree structure: 8
- Maximum number of folders: 255
(Root folder is included.)

OTHER CONTROLS AND EQUIPMENT

Listening to an iPod



Display



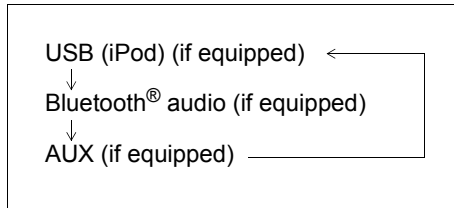
- (1) "MEDIA" button
- (2) "TUNE/FLD PUSH SOUND" knob
- (3) UP button
- (4) DOWN button
- (5) "RPT" button
- (6) "RDM" button
- (7) "DISP" button
- (8) PRESET buttons ([1] to [6])

- (A) Track title
- (B) Track number
- (C) Play time

75RM088

Selecting an iPod mode

Press “MEDIA” button (1).
Each time the button is pressed, the mode will change as follows:



Selecting a track

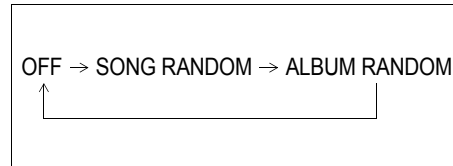
- Press UP button (3) to listen to the next track.
- Press DOWN button (4) twice to listen to the previous track.
When DOWN button (4) is pressed once, the track currently being played will start from the beginning again.

Fast forwarding/rewinding a track

- Hold down UP button (3) to fast forward the track.
- Hold down DOWN button (4) to fast rewind the track.

Random playback

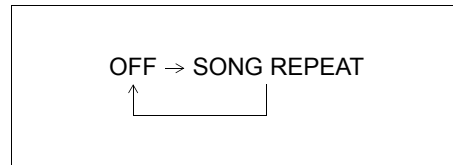
Press “RDM” button (6).
Each time the button is pressed, the mode will change as follows:



- SONG RANDOM
The random indicator “RDM” will light.
The tracks in the iPod will be played in random order.
- ALBUM RANDOM
The random indicator “F.RDM” will light.
The albums in the iPod will be played in random order.

Repeat playback

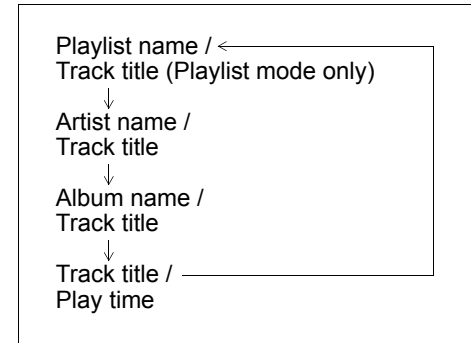
Press “RPT” button (5).
Each time the button is pressed, the mode will change as follows:



- SONG REPEAT
The repeat indicator “RPT” will light.
The track currently being played will be played repeatedly.

Display change

Press “DISP” button (7).
Each time the button is pressed, display will change as follows:



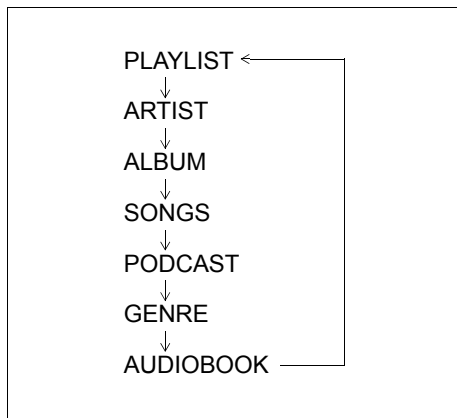
NOTE:

If text data contains more than 16 characters, “>” mark will appear at the right end. Holding down “DISP” button (7) for 1 second or longer can display the next page.

OTHER CONTROLS AND EQUIPMENT

Playing mode selection

- 1) Press the button numbered [6] of PRE-SET buttons (8) for 1 second or longer.
- 2) Turn “TUNE/FLD PUSH SOUND” knob (2).
Each time the knob is turned, the mode will change as follows:



- 3) Press “TUNE/FLD PUSH SOUND” knob (2) to select the desired mode.

NOTE:

- When the button numbered [6] of PRE-SET buttons (8) is pressed, the previous mode will be displayed.

Notes on iPod

Made for iPod

- iPod touch (6th generation)
- iPod touch (5th generation)
- iPod touch (4th generation)
- iPod touch (3rd generation)
- iPod touch (2nd generation)
- iPod touch (1st generation)
- iPod classic
- iPod nano (7th generation)
- iPod nano (6th generation)
- iPod nano (5th generation)
- iPod nano (4th generation)
- iPod nano (3rd generation)
- iPod nano (2nd generation)
- iPod nano (1st generation)
- iPod (5th generation)
- iPhone 6S Plus
- iPhone 6S
- iPhone 6 Plus
- iPhone 6
- iPhone 5S
- iPhone 5C
- iPhone 5
- iPhone 4S
- iPhone 4
- iPhone 3GS
- iPhone 3G
- iPhone

- * Some functions may not be available depending on the model of iPod.

iPod



53SB10504

- Use of the Made for Apple badge means that an accessory has been designed to connect specifically to the Apple product(s) identified in the badge, and has been certified by the developer to meet Apple performance standards. Apple is not responsible for the operation of this device or its compliance with safety and regulatory standards.
- Please note that the use of this accessory with an Apple product may affect wireless performance.
- Apple, iPod touch, iPod nano, iPhone, and Lightning are trademarks of Apple Inc., registered in the U.S. and other countries.

iPod connection

- Make sure to detach the iPod after turning the ignition switch to “LOCK” position or pressing the engine switch to change the ignition mode to LOCK (OFF). The iPod may not be shut down when it is being connected and may result in battery depletion.
- Do not connect iPod accessories such as an iPod remote control or headphones while connecting the iPod with the unit. The unit may not operate correctly.

OTHER CONTROLS AND EQUIPMENT

AUX function

AUX connection

To listen to auxiliary audio sources (sold separately) through the unit, follow the instruction below.

- 1) Connect the auxiliary audio source to the AUX/USB socket (separately attached) with an AUX cable.
- 2) Press “MEDIA” button (1).
Each time the button is pressed, the mode will change as follows:

USB (iPod) (if equipped)

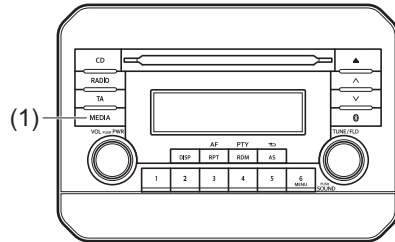
↓
Bluetooth® audio (if equipped)

↓
AUX (if equipped)

⚠ CAUTION

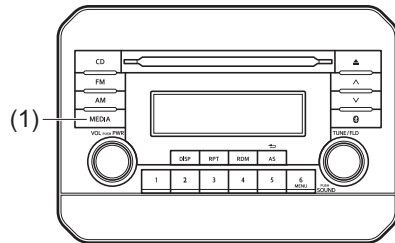
- Before connection, mute the unit, and also keep the volume of the auxiliary audio source within a range that will not cause distortion.
- When the audio source is turned off, noise may be emitted. Be sure to turn off the unit or switch to another mode before turning off the audio source.

Type A

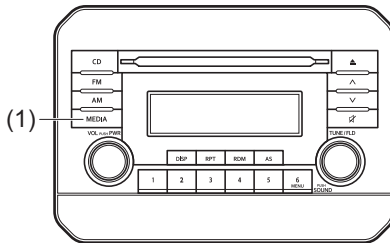


EXAMPLE

Type B



Type C



75RM089

(1) “MEDIA” button

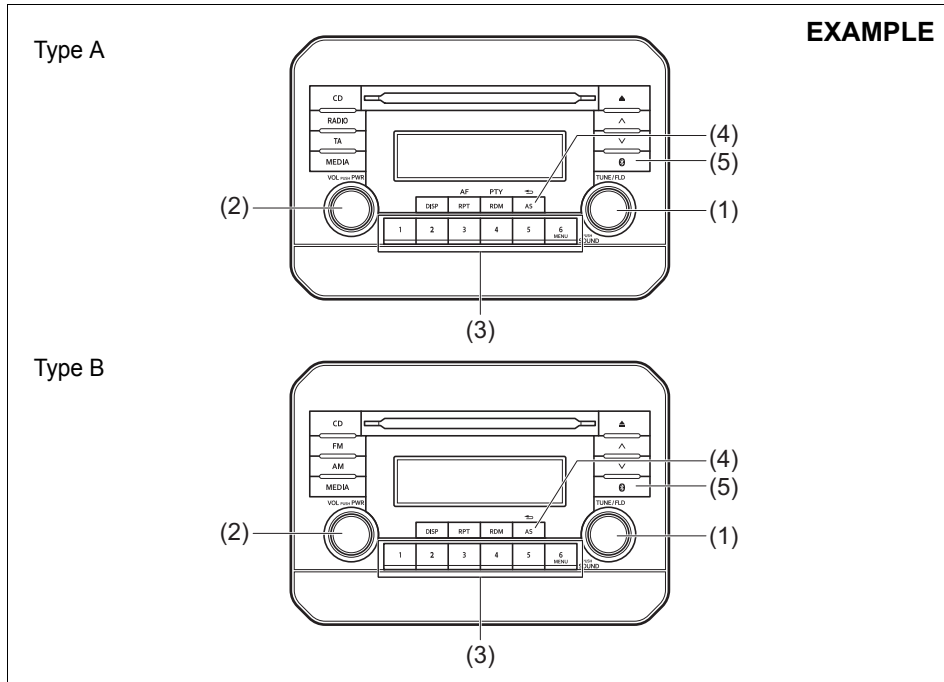
NOTE:

- *Please consult your place of purchase for details about whether a given auxiliary audio source can be connected and the proper auxiliary cord to use.*
- *The volume and tone controls of the auxiliary audio source can be adjusted on the unit.*
- *In AUX mode, the volume setting is different from another mode.*

OTHER CONTROLS AND EQUIPMENT

Bluetooth® hands-free (Type A / Type B) (if equipped)

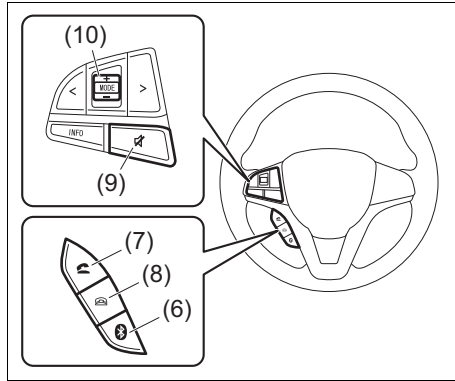
(5) Bluetooth® setup button (on control panel)



75RM090

- (1) “TUNE/FLD PUSH SOUND” knob
- (2) “VOL PUSH PWR” knob
- (3) PRESET buttons
- (4) BACK button

Steering switch



75RM061

- (6) Bluetooth® setup button (on steering wheel)
- (7) OFF HOOK button
- (8) ON HOOK button
- (9) MUTE switch
- (10) "VOL" switch

Phone registration

To use the hands-free function with this unit, it is required to register the phone in advance.

NOTE:

- Up to 5 phones can be registered.
- To set up a new phone, disconnect the audio player from the unit. Connect the audio player again after phone setup is completed if necessary.
- When attempts to establish the pairing fail within 60 seconds, the connecting operation will be canceled. Try to establish the pairing again or refer to the manual of the phone in use for how to establish the pairing with the phone.

- 1) Press the Bluetooth® setup button (5) or (6).
The Bluetooth® setup menu will be displayed.
- 2) Turn "TUNE/FLD PUSH SOUND" knob (1) to select "Setup Bluetooth", and press the knob (1) to determine the selection.
- 3) Turn "TUNE/FLD PUSH SOUND" knob (1) to select "Pairing", and press the knob (1) to determine the selection.
- 4) Select "My Car" from the Bluetooth® menu of the phone and establish the pairing.
Refer to the manual of the phone in use for further information.
- 5) Enter the passkey displayed on the unit to the phone.

- 6) When the pairing with the phone is established, automatic transfer of the phonebook and the call history becomes selectable. The automatic transfer starts with "Yes" and it does not with "No".

- 7) Press ON HOOK button (8).

NOTE:

- When selecting "Go Back" or pressing BACK button (4), the previous menu will be displayed.
- When registering an additional phone, repeat Step from 1).

Receiving a call

Press OFF HOOK button (7) to receive a call.

Ending a call

Press ON HOOK button (8) to end a call.

Rejecting a call (only for supported models)

Press ON HOOK button (8) to reject a incoming call.

Mute of hands-free microphone

Press MUTE switch (9) to mute the microphone. To cancel the mute, press MUTE switch (9) again.

OTHER CONTROLS AND EQUIPMENT

Adjusting the listening volume

- Turn “VOL PUSH PWR” knob (2) during a call. Turning it clockwise increases the volume; turning it counterclockwise decreases the volume.
- Press “VOL” switch (10) during a call. Pressing the switch up increases the volume; pressing the switch down decreases the volume.

Adjusting the ring volume

- Turn “VOL PUSH PWR” knob (2) while a call is coming in. Turning it clockwise increases the volume; turning it counterclockwise decreases the volume.
- Press “VOL” switch (10) during a call. Pressing the switch up increases the volume; pressing the switch down decreases the volume.

Adjusting the call or ringtone volume

Follow the instructions below to adjust the call or ringtone volume.

- 1) Press the Bluetooth® setup button (5) or (6). The Bluetooth® setup menu will be displayed.
- 2) Turn “TUNE/FLD PUSH SOUND” knob (1) to select “Setup Telephone”, and press the knob (1) to determine the selection.
- 3) Turn “TUNE/FLD PUSH SOUND” knob (1) to select “Sound Setting”, and press the knob (1) to determine the selection.
- 4) Turn “TUNE/FLD PUSH SOUND” knob (1) to select “Call Volume” or “Ringtone Volume”, and press the knob (1) to determine the selection. The current call or ringtone volume will be displayed.
- 5) Turn “TUNE/FLD PUSH SOUND” knob (1) to select the desired call or ringtone volume, and press the knob (1) to determine the selection.

NOTE:

When selecting “Go Back” or pressing BACK button (4), the previous menu will be displayed.

Dialing using missed/incoming/outgoing calls

Follow the instructions below to dial to the previously dialed number again.

NOTE:

Up to 30 phone numbers of the latest calls can be stored. (30 calls including missed, received and dialed call)

- 1) Press OFF HOOK button (7). The Bluetooth® phonebook menu will be displayed.
- 2) Turn “TUNE/FLD PUSH SOUND” knob (1) to select “All Calls”, “Missed Calls”, “Incoming Calls” or “Outgoing Calls”, and press the knob (1) to determine the selection. To dial from the dialed history or the received history, select “All Calls”, “Missed Calls”, “Incoming Calls” or “Outgoing Calls” respectively.
- 3) Turn “TUNE/FLD PUSH SOUND” knob (1) to select the desired number, and press the knob (1) to determine the selection.
- 4) Turn “TUNE/FLD PUSH SOUND” knob (1) to select “Dial”, and press the knob (1) or OFF HOOK button (7) to dial to the selected number.

NOTE:

- *When selecting “Go Back” or pressing BACK button (4), the previous menu will be displayed.*

- Pressing “Confirm” after selecting “Add Speed Dial” can register the selected number in the speed dial.
- Pressing “Confirm” after selecting “Delete” can delete the selected number from the call history.

Deletion of call history

Follow the instructions below to delete a missed/incoming/outgoing call history.

- 1) Press the Bluetooth® setup button (5) or (6).
The Bluetooth® setup menu will be displayed.
- 2) Turn “TUNE/FLD PUSH SOUND” knob (1) to select “Setup Telephone”, and press the knob (1) to determine the selection.
- 3) Turn “TUNE/FLD PUSH SOUND” knob (1) to select “Setup Phonebook”, and press the knob (1) to determine the selection.
- 4) Turn “TUNE/FLD PUSH SOUND” knob (1) to select “Delete History”, and press the knob (1) to determine the selection.
- 5) Turn “TUNE/FLD PUSH SOUND” knob (1) to select “Missed Calls”, “Incoming Calls”, or “Outgoing Calls”, and press the knob (1) to determine the selection.
- 6) Turn “TUNE/FLD PUSH SOUND” knob (1) to select a number to be deleted or “ALL”, and press the knob (1) to determine the selection.

- 7) Turn “TUNE/FLD PUSH SOUND” knob (1) to select “Delete?” or “Delete All?”, and press the knob (1) to determine the selection.
- 8) Turn “TUNE/FLD PUSH SOUND” knob (1) to select “Confirm”, and press the knob (1) to complete the deletion.

NOTE:

When selecting “Go Back” or pressing BACK button (4), the previous menu will be displayed.

Registration in Phonebook

Follow the instructions below to register phone numbers in the Phonebook of the unit.

- 1) Press the Bluetooth® setup button (5) or (6).
The Bluetooth® setup menu will be displayed.
- 2) Turn “TUNE/FLD PUSH SOUND” knob (1) to select “Setup Telephone”, and press the knob (1) to determine the selection.
- 3) Turn “TUNE/FLD PUSH SOUND” knob (1) to select “Setup Phonebook”, and press the knob (1) to determine the selection.
- 4) Turn “TUNE/FLD PUSH SOUND” knob (1) to select “Add Contacts”, and press the knob (1) to determine the selection.

- 5) Turn “TUNE/FLD PUSH SOUND” knob (1) to select “Overwrite All” or “Add One Contact”, and press the knob (1) to determine the selection.
“Rewrite All (MAX1000): Ok?” or “Rest of Memory XXXX: Ok?” will be displayed.
- 6) Press or turn “TUNE/FLD PUSH SOUND” knob (1) to select “Confirm”, and press the knob (1) to determine the selection.
- 7) Transfer contacts from the phone.
When the registration is completed, the “Setup Phonebook” will be displayed.

NOTE:

- *When selecting “Go Back” or pressing BACK button (4), the previous menu will be displayed.*
- *Up to 1000 numbers can be registered in Phonebook.*

OTHER CONTROLS AND EQUIPMENT

Transfer of call history (Call History)

Follow the instructions below to transfer call history of the registered phone.

- 1) Press the Bluetooth® setup button (5) or (6).
The Bluetooth® setup menu will be displayed.
- 2) Turn “TUNE/FLD PUSH SOUND” knob (1) to select “Setup Telephone”, and press the knob (1) to determine the selection.
- 3) Turn “TUNE/FLD PUSH SOUND” knob (1) to select “Call History”, and press the knob (1) to determine the selection.
- 4) Turn “TUNE/FLD PUSH SOUND” knob (1) to select “Overwrite Call History?”, and press the knob (1) to determine the selection.
- 5) Turn “TUNE/FLD PUSH SOUND” knob (1) to select “Confirm”, and press the knob (1) to transfer the call history from the phone.

NOTE:

When selecting “Go Back” or pressing BACK button (4), the previous menu will be displayed.

Automatic transfer of phonebook/call history

You can select whether or not the device transfers the phonebook and the call history automatically when the phone is registered.

Follow the instructions below to select.

- 1) Press the Bluetooth® setup button (5) or (6).
The Bluetooth® setup menu will be displayed.
- 2) Turn “TUNE/FLD PUSH SOUND” knob (1) to select “Setup Telephone”, and press the knob (1) to determine the selection.
- 3) Turn “TUNE/FLD PUSH SOUND” knob (1) to select “A.Transfer”, and press the knob (1) to determine the selection.
- 4) Pressing “TUNE/FLD PUSH SOUND” knob (1) switches between “A.transfer On” and “A.transfer Off”.
- 5) Selecting “Go Back” or pressing the BACK button (4) stores displayed setting and the previous menu is displayed.

Making a call by phonebook

Follow the instructions below to dial a number registered in phonebook.

- 1) Press OFF HOOK button (7).
The Bluetooth® phonebook menu will be displayed.
- 2) Turn “TUNE/FLD PUSH SOUND” knob (1) to select “Phonebook”, and press the knob (1) to determine the selection.
- 3) Turn “TUNE/FLD PUSH SOUND” knob (1) to select the initial of the name you would like to make a call, and press the knob (1) to determine the selection.
The registered numbers will be displayed in sequence. If names have been registered together with numbers, the names will be displayed.
Turn “TUNE/FLD PUSH SOUND” knob (1) to select the name you would like to make a call, and press the knob (1) to determine the selection.
- 4) Turn “TUNE/FLD PUSH SOUND” knob (1) to select “Dial”, and press the knob (1) or OFF HOOK button (7).
The displayed number or the number registered with the displayed name will be dialed.

Deletion of registered data (Delete Entry)

Follow the instructions below to delete a number registered in phonebook.

- 1) Press the Bluetooth® setup button (5) or (6).
The Bluetooth® setup menu will be displayed.
- 2) Turn “TUNE/FLD PUSH SOUND” knob (1) to select “Setup Telephone”, and press the knob (1) to determine the selection.
- 3) Turn “TUNE/FLD PUSH SOUND” knob (1) to select “Setup Phonebook”, and press the knob (1) to determine the selection.
- 4) Turn “TUNE/FLD PUSH SOUND” knob (1) to select “Delete Contacts”, and press the knob (1) to determine the selection.
- 5) Turn “TUNE/FLD PUSH SOUND” knob (1) to select the initial of the name you would like to delete or “ALL”, and press the knob (1) to determine the selection. Turn “TUNE/FLD PUSH SOUND” knob (1) to select the name you would like to delete, and press the knob (1) to determine the selection.
- 6) Turn “TUNE/FLD PUSH SOUND” knob (1) to select “Delete?” or “Delete All?”, and press the knob (1) to determine the selection.
- 7) Turn “TUNE/FLD PUSH SOUND” knob (1) to select “Confirm”, and press the knob (1) to complete the deletion.

NOTE:

When selecting “Go Back” or pressing BACK button (4), the previous menu will be displayed.

Registration in speed dial

Follow the instructions below to assign a number to one of PRESET buttons (3) to use as the speed dial.

- 1) Press the Bluetooth® setup button (5) or (6).
The Bluetooth® setup menu will be displayed.
- 2) Turn “TUNE/FLD PUSH SOUND” knob (1) to select “Setup Telephone”, and press the knob (1) to determine the selection.
- 3) Turn “TUNE/FLD PUSH SOUND” knob (1) to select “Setup Phonebook”, and press the knob (1) to determine the selection.
- 4) Turn “TUNE/FLD PUSH SOUND” knob (1) to select “Add Speed Dial”, and press the knob (1) to determine the selection.
- 5) Turn “TUNE/FLD PUSH SOUND” knob (1) to select the initial of the name you would like to register in speed dial, and press the knob (1) to determine the selection.
The registered numbers will be displayed in sequence. If names have been registered together with numbers, the names will be displayed. Turn “TUNE/FLD PUSH SOUND” knob (1) to select the name you would like to

register in speed dial, and press the knob (1) to determine the selection.

- 6) Turn “TUNE/FLD PUSH SOUND” knob (1) to select “Choose Preset”, and press one of PRESET buttons (3) to which the selected number is to be assigned. If a number is already assigned to the selected button, a confirmation message will be displayed. Turn “TUNE/FLD PUSH SOUND” knob (1) to select a confirmation message, and press the knob (1) to complete the assignment.
Turn “TUNE/FLD PUSH SOUND” knob (1) to select “Confirm”, and press the knob (1) to complete the assignment. When the assignment is completed, the “Setup Phonebook” will be displayed.

NOTE:

When selecting “Go Back” or pressing BACK button (4), the previous menu will be displayed.

OTHER CONTROLS AND EQUIPMENT

One-touch call (Speed dial)

Follow the instructions below to dial the number assigned to each of the PRESET buttons (3).

- 1) Press OFF HOOK button (7).
The Bluetooth® phonebook menu will be displayed.
Pressing one of PRESET buttons (3) can skip step 2) and the 1st line of step 3).
- 2) Turn “TUNE/FLD PUSH SOUND” knob (1) to select “Speed Dials”, and press the knob (1) to determine the selection.
- 3) Press one of PRESET buttons (3).
The assigned number will be displayed.
If no number is assigned, “No Entry” is displayed.
- 4) Press OFF HOOK button (7).
The selected number will be dialed.

Deletion of speed dial (Del Speed Dial)

Follow the instructions below to delete the number assigned for the speed dial.

- 1) Press OFF HOOK button (7).
The Bluetooth® phonebook menu will be displayed.
- 2) Turn “TUNE/FLD PUSH SOUND” knob (1) to select “Speed Dials”, and press the knob (1) to determine the selection.
- 3) Press one of PRESET buttons (3) to which the number to be deleted is assigned.
If the number is not registered, “No Entry” is displayed.
- 4) Turn “TUNE/FLD PUSH SOUND” knob (1) to select “Delete”, and press the knob (1) to determine the selection.
- 5) Turn “TUNE/FLD PUSH SOUND” knob (1) to select “Del Speed Dial”, and press the knob (1) to determine the selection.
- 6) Turn “TUNE/FLD PUSH SOUND” knob (1) to select “Confirm”, and press the knob (1) to complete the deletion.

NOTE:

When selecting “Go Back” or pressing BACK button (4), the previous menu will be displayed.

Display of device data (Device Name)

Follow the instructions below to display the BD (Bluetooth® Device) address and device name.

- 1) Press the Bluetooth® setup button (5) or (6).
The Bluetooth® setup menu will be displayed.
- 2) Turn “TUNE/FLD PUSH SOUND” knob (1) to select “Setup Bluetooth”, and press the knob (1) to determine the selection.
- 3) Turn “TUNE/FLD PUSH SOUND” knob (1) to select “Bluetooth Info”, and press the knob (1) to determine the selection.
- 4) Turn “TUNE/FLD PUSH SOUND” knob (1) to select “Device Name” or “Device Address”, and press the knob (1) to display the device name or the BD (Bluetooth® Device) address.

NOTE:

When selecting “Go Back” or pressing BACK button (4), the previous menu will be displayed.

Reset to the factory defaults

Follow the instructions below to reset all the settings to the factory defaults.

- 1) Press the Bluetooth® setup button (5) or (6).
The Bluetooth® setup menu will be displayed.
- 2) Turn “TUNE/FLD PUSH SOUND” knob (1) to select “Setup Bluetooth”, and press the knob (1) to determine the selection.
- 3) Turn “TUNE/FLD PUSH SOUND” knob (1) to select “Initialize”, and press the knob (1) to determine the selection.
- 4) Turn “TUNE/FLD PUSH SOUND” knob (1) to select “All Initialize”, and press the knob (1) to determine the selection.
- 5) Turn “TUNE/FLD PUSH SOUND” knob (1) to select “Confirm”, and press the knob (1) to start the reset.

NOTE:

When selecting “Go Back” or pressing BACK button (4), the previous menu will be displayed.

Selection of phone (Select Phone)

Follow the instructions below to select a phone to be paired with from the registered phones.

- 1) Press the Bluetooth® setup button (5) or (6).
The Bluetooth® setup menu will be displayed.
- 2) Turn “TUNE/FLD PUSH SOUND” knob (1) to select “Setup Bluetooth”, and press the knob (1) to determine the selection.
- 3) Turn “TUNE/FLD PUSH SOUND” knob (1) to select “List Phone”, and press the knob (1) to determine the selection.
- 4) Turn “TUNE/FLD PUSH SOUND” knob (1) to select a phone to be paired with, and press the knob (1) to determine the selection.
- 5) Turn “TUNE/FLD PUSH SOUND” knob (1) to select “Select”, and press the knob (1) to determine the selection.

NOTE:

- *When selecting “Go Back” or pressing BACK button (4), the previous menu will be displayed.*
- *The Bluetooth® ready audio device will be disconnected when the phone is selected.*

List of phones (List Phones)

Follow the instructions below to display the names of the registered phones in sequence.

- 1) Press the Bluetooth® setup button (5) or (6).
The Bluetooth® setup menu will be displayed.
- 2) Turn “TUNE/FLD PUSH SOUND” knob (1) to select “Setup Bluetooth”, and press the knob (1) to determine the selection.
- 3) Turn “TUNE/FLD PUSH SOUND” knob (1) to select “List Phone”, and press the knob (1) to determine the selection.
The names of the registered phones are displayed in sequence.

NOTE:

When selecting “Go Back” or pressing BACK button (4), the previous menu will be displayed.

Passkey setting (Set Passkey)

Follow the instructions below to set the security number (passkey).

- 1) Press the Bluetooth® setup button (5) or (6).
The Bluetooth® setup menu will be displayed.
- 2) Turn “TUNE/FLD PUSH SOUND” knob (1) to select “Setup Bluetooth”, and press the knob (1) to determine the selection.

OTHER CONTROLS AND EQUIPMENT

- 3) Turn "TUNE/FLD PUSH SOUND" knob (1) to select "Passkey", and press the knob (1) to determine the selection.
- 4) Turn "TUNE/FLD PUSH SOUND" knob (1) to select "Enter New Passkey", and press the knob (1) to determine the selection.
- 5) Press or turn "TUNE/FLD PUSH SOUND" knob (1) to select "Confirm".
- 6) Turn "TUNE/FLD PUSH SOUND" knob (1) to select a number for the first digit, and press the knob (1) to determine the selection. Select and determine numbers for the second, third and fourth digits in order in the same manner. When not entering up to the eighth digit, enter blanks for the successive digits.
- 7) Press "TUNE/FLD PUSH SOUND" knob (1) to determine the passkey setting.

NOTE:

When selecting "Go Back" or pressing BACK button (4), the previous menu will be displayed.

Deletion of phone information (Delete Phone)

Follow the instructions below to delete the registered phone information.

- 1) Press the Bluetooth® setup button (5) or (6).
The Bluetooth® setup menu will be displayed.
- 2) Turn "TUNE/FLD PUSH SOUND" knob (1) to select "Setup Bluetooth", and press the knob (1) to determine the selection.
- 3) Turn "TUNE/FLD PUSH SOUND" knob (1) to select "List Phone", and press the knob (1) to determine the selection.
- 4) Turn "TUNE/FLD PUSH SOUND" knob (1) to select a phone to be deleted, and press the knob (1) to determine the selection.
- 5) Turn "TUNE/FLD PUSH SOUND" knob (1) to select "Delete", and press the knob (1) to determine the selection.
- 6) Turn "TUNE/FLD PUSH SOUND" knob (1) to select "Delete?", and press the knob (1) to determine the selection.
- 7) Turn "TUNE/FLD PUSH SOUND" knob (1) to select "Confirm", and press the knob (1) to determine the selection.

NOTE:

When selecting "Go Back" or pressing BACK button (4), the previous menu will be displayed.

BT function on/off (BT Power)

Follow the instructions below to turn on/off the Bluetooth® function.

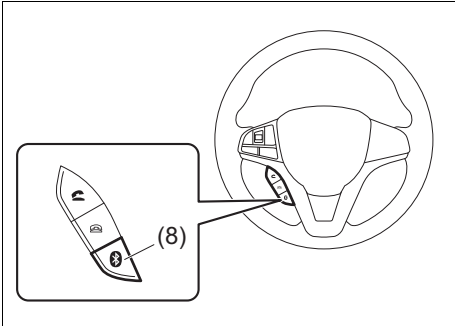
- 1) Press the Bluetooth® setup button (5) or (6).
The Bluetooth® setup menu will be displayed.
- 2) Turn "TUNE/FLD PUSH SOUND" knob (1) to select "Setup Bluetooth", and press the knob (1) to determine the selection.
- 3) Turn "TUNE/FLD PUSH SOUND" knob (1) to select "BT Power", and press the knob (1) to determine the selection.
- 4) Press "TUNE/FLD PUSH SOUND" knob (1) to select "BT Power On" or "BT Power Off".

NOTE:

- *When the BT function is turned off, the connection between this unit and the registered phone in use will be disconnected.*
- *When selecting "Go Back" or pressing BACK button (4), the previous menu will be displayed.*

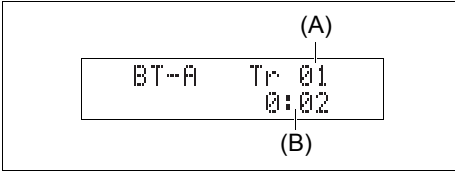
Bluetooth® audio (Type A / Type B) (if equipped)

Steering switch



75RM062

Display

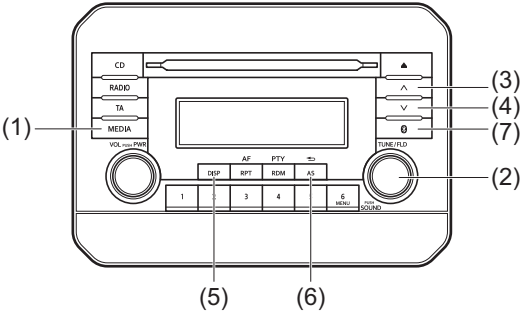


- (1) "MEDIA" button
- (2) "TUNE/FLD PUSH SOUND" knob
- (3) UP button
- (4) DOWN button
- (5) "DISP" button
- (6) BACK button
- (7) Bluetooth® setup button (on control panel)
- (8) Bluetooth® setup button (on steering wheel)

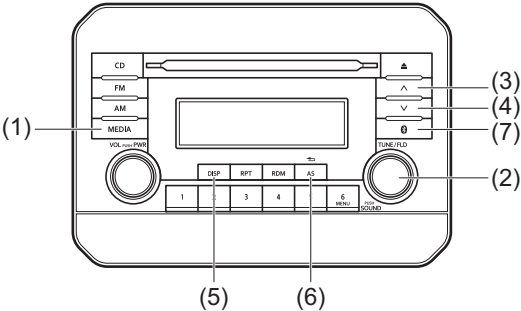
- (A) Track number
- (B) Play time

EXAMPLE

Type A



Type B



75RM091

OTHER CONTROLS AND EQUIPMENT

Registration of audio devices

To use Bluetooth® ready audio devices with this unit, it is required to register the devices.

NOTE:

- To set up a new audio player, disconnect the phone from the unit. Connect the phone after audio player setup is completed if necessary.
- When attempts to establish the pairing fail within 60 seconds, the connecting operation will be canceled. Try to establish the pairing again or refer to the audio player manual for assistance with the pairing process.

- 1) Press the Bluetooth® setup button (7) or (8).

The Bluetooth® setup menu will be displayed.

- 2) Turn "TUNE/FLD PUSH SOUND" knob (2) to select "Setup Bluetooth", and press the knob (2) to determine the selection.

- 3) Turn "TUNE/FLD PUSH SOUND" knob (2) to select "Pairing", and press the knob (2) to determine the selection.

- 4) Select "My Car" from the Bluetooth® menu of the audio player and establish the pairing.

Refer to the manual of the audio player in use for further information.

- 5) Enter the passkey displayed on the unit to the audio player.

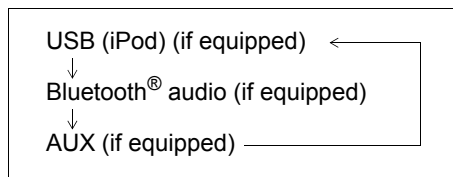
NOTE:

- When selecting "Go Back" or pressing BACK button (6), the previous menu will be displayed.
- When registering additional audio devices, repeat Step from 1).

Selecting Bluetooth® audio mode

Press "MEDIA" button (1).

Each time the button is pressed, the mode will change as follows:



Selecting a group (only for supported models)

Turn "TUNE/FLD PUSH SOUND" knob (2) to select a group.

Selecting a track

- Press UP button (3) to listen to the next track.
- Press DOWN button (4) twice to listen to the previous track.

When DOWN button (4) is pressed once, the track currently being played will start from the beginning again.

Fast forwarding/rewinding a track

- Hold down UP button (3) to fast forward the track.
- Hold down DOWN button (4) to fast rewind the track.

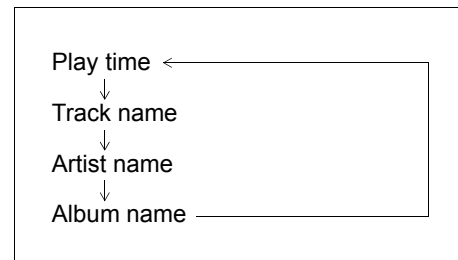
NOTE:

Some functions may not be available depending on Bluetooth® audio.

Display change

Press "DISP" button (5).

Each time the button is pressed, display will change as follows:



NOTE:

If text data contains more than 16 characters, ">" mark will appear at the right end. Holding down "DISP" button (5) for 1 second or longer can display the next page.

Selection of audio device (Select Audio)

Follow the instructions below to select an audio device to be paired with from the registered audio devices.

- 1) Press the Bluetooth® setup button (7) or (8).
The Bluetooth® setup menu will be displayed.
- 2) Turn “TUNE/FLD PUSH SOUND” knob (2) to select “Setup Bluetooth”, and press the knob (2) to determine the selection.
- 3) Turn “TUNE/FLD PUSH SOUND” knob (2) to select “List Audio”, and press the knob (2) to determine the selection.
- 4) Turn “TUNE/FLD PUSH SOUND” knob (2) to select an audio device to be used, and press the knob (2) to determine the selection.
- 5) Turn “TUNE/FLD PUSH SOUND” knob (2) to select “Select”, and press the knob (2) to determine the selection.

NOTE:

- When selecting “Go Back” or pressing BACK button (6), the previous menu will be displayed.
- The phone will be disconnected when the Bluetooth® ready audio device is selected.

List of audio devices (List Audio)

Follow the instructions below to display the names of the registered audio devices in sequence.

- 1) Press the Bluetooth® setup button (7) or (8).
The Bluetooth® setup menu will be displayed.
- 2) Turn “TUNE/FLD PUSH SOUND” knob (2) to select “Setup Bluetooth”, and press the knob (2) to determine the selection.
- 3) Turn “TUNE/FLD PUSH SOUND” knob (2) to select “List Audio”, and press the knob (2) to determine the selection.
The names of registered audio devices will be displayed in sequence.

NOTE:

When selecting “Go Back” or pressing BACK button (6), the previous menu will be displayed.

Passkey setting (Set Passkey)

Follow the instructions below to set the security number (Passkey).

- 1) Press the Bluetooth® setup button (7) or (8).
The Bluetooth® setup menu will be displayed.
- 2) Turn “TUNE/FLD PUSH SOUND” knob (2) to select “Setup Bluetooth”, and press the knob (2) to determine the selection.

- 3) Turn “TUNE/FLD PUSH SOUND” knob (2) to select “Passkey”, and press the knob (2) to determine the selection.
- 4) Turn “TUNE/FLD PUSH SOUND” knob (2) to select “Enter New Passkey”, and press the knob (2) to determine the selection.
- 5) Press or turn “TUNE/FLD PUSH SOUND” knob (2) to select “Confirm”.
- 6) Turn “TUNE/FLD PUSH SOUND” knob (2) to select a number for the first digit, and press the knob (2) to determine the selection. Select and determine numbers for the second, third and fourth digits in order in the same manner. When not entering up to the eighth digit, enter blanks for the successive digits.
- 7) Press “TUNE/FLD PUSH SOUND” knob (2) to determine the passkey setting.

NOTE:

When selecting “Go Back” or pressing BACK button (6), the previous menu will be displayed.

OTHER CONTROLS AND EQUIPMENT

Deletion of audio device information (Delete Audio)

Follow the instructions below to delete the registered audio device information.

- 1) Press the Bluetooth® setup button (7) or (8).
The Bluetooth® setup menu will be displayed.
- 2) Turn “TUNE/FLD PUSH SOUND” knob (2) to select “Setup Bluetooth”, and press the knob (2) to determine the selection.
- 3) Turn “TUNE/FLD PUSH SOUND” knob (2) to select “List Audio”, and press the knob (2) to determine the selection.
- 4) Turn “TUNE/FLD PUSH SOUND” knob (2) to select an audio device to be deleted, and press the knob (2) to determine the selection.
- 5) Turn “TUNE/FLD PUSH SOUND” knob (2) to select “Delete”, and press the knob (2) to determine the selection.
- 6) Turn “TUNE/FLD PUSH SOUND” knob (2) to select “Delete?”, and press the knob (2) to determine the selection.
- 7) Turn “TUNE/FLD PUSH SOUND” knob (2) to select “Confirm”, and press the knob (2) to complete the deletion.

NOTE:

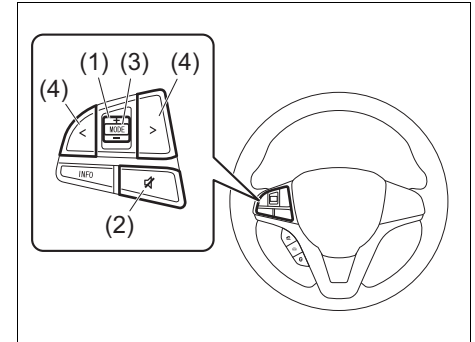
When selecting “Go Back” or pressing BACK button (6), the previous menu will be displayed.

Disclaimer for Bluetooth® function

- Depending on compatibility of mobile phone models, no Bluetooth® function can be used, or some Bluetooth® functions may be restricted.
- Connectivity or voice quality may get affected depending on circumstances.
- After the ignition switch is turned to “ON” position or the engine switch is pressed to change the ignition mode to ON, the audio system takes few seconds to detect and connect to the Bluetooth® device (if already paired).

Remote audio controls (if equipped)

Controlling basic functions of the audio system is available using the switches on the steering wheel.



75RM063

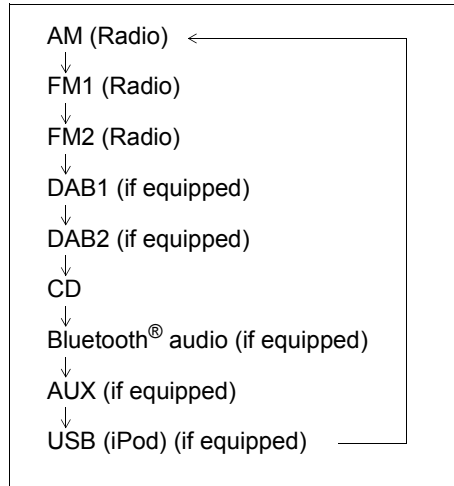
Adjusting the volume

- To increase the volume, press the “VOL” switch (1) up. The volume will continue to increase until the switch is released.
- To decrease the volume, press the “VOL” switch (1) down. The volume will continue to decrease until the switch is released.
- To mute the sound, press the switch (2).

Selecting the mode

Press the switch (3).

Each time the button is pressed, the mode will change as follows:



It is possible to turn on the audio system by pressing the switch (3).

Selecting the radio station (AM, FM1, FM2, DAB1, DAB2 mode)

- To select the next preset station, press “>” of the switch (4) only for a moment.
- To select the previous preset station, press “<” of the switch (4) only for a moment.
- To scan a higher frequency radio station, press “>” of the switch (4) for 1 second or longer.
- To scan a lower frequency radio station, press “<” of the switch (4) for 1 second or longer.

Selecting the track (CD, USB (iPod), Bluetooth® audio mode)

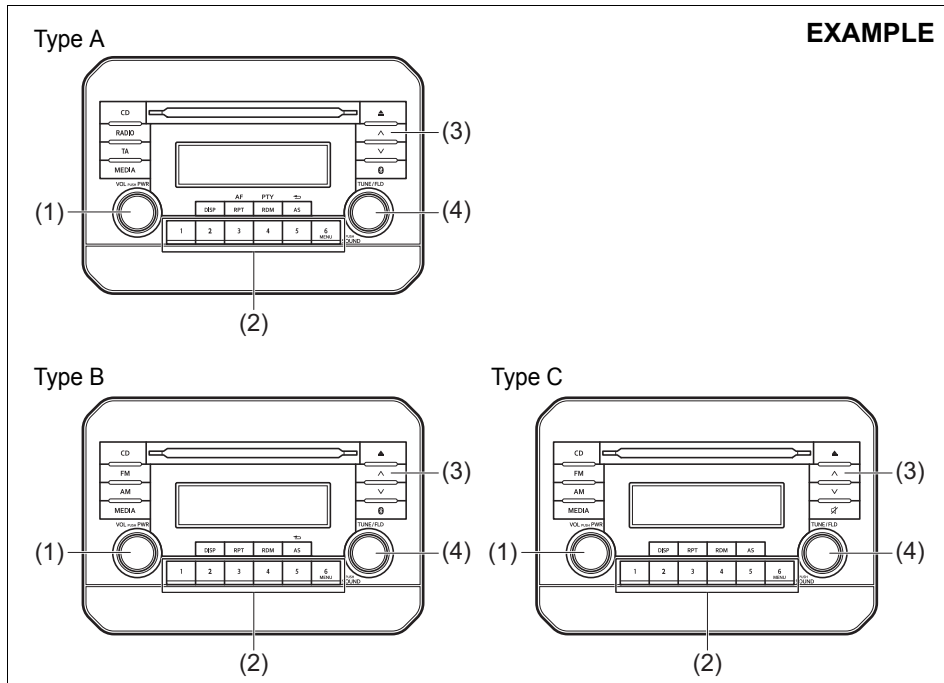
- To skip to the next track, press “>” of the switch (4) only for a moment.
- To skip to the previous track, press “<” of the switch (4) twice only for a moment. When the switch (4) is pushed down once only for a moment, the track currently being played will start from the beginning again.

Fast forwarding/rewinding a track

- To fast forward a track, press “>” of the switch (4) for 1 second or longer.
- To fast rewind a track, press “<” of the switch (4) for 1 second or longer.

OTHER CONTROLS AND EQUIPMENT

Anti-theft feature



- (1) VOL PUSH PWR” knob
- (2) PRESET buttons ([1] to [6])
- (3) UP button
- (4) “TUNE/FLD PUSH SOUND” knob

75RM092

The anti-theft function is intended to discourage thefts. For example, when the audio system is installed in another vehicle, it will become unable to operate. This function works by entering a Personal Identification Number (PIN). When the unit is disconnected from its power source, such as when the audio system is removed or the lead-acid battery is disconnected, the unit will become inoperable until the PIN is reentered.

Setting the anti-theft function

- 1) Press "VOL PUSH PWR" knob (1) to power off.
- 2) Hold down the buttons numbered [1] and [6] of PRESET buttons (2) and press "VOL PUSH PWR" knob (1). "SECURITY" will be displayed.
- 3) Press UP button (3) and the button numbered [1] of PRESET buttons (2) simultaneously.
- 4) Enter a 4-digit number to be registered as PIN using the buttons numbered [1] - [4] of PRESET buttons (2).
- 5) Hold down "TUNE/FLD PUSH SOUND" knob (4) for 1 second or longer to set the anti-theft function.

NOTE:

Take a note of the registered PIN and keep it for the future use.

Canceling the anti-theft feature

To cancel the anti-theft function, delete the registered PIN.

- 1) Press "VOL PUSH PWR" knob (1) to power off.
- 2) Hold down the buttons numbered [1] and [6] of PRESET buttons (2) and press "VOL PUSH PWR" knob (1). "PIN ENTRY" will be displayed.
- 3) Press UP button (3) and the button numbered [1] of PRESET buttons (2) simultaneously.
- 4) Enter a 4-digit number to be registered as PIN using the buttons numbered [1] - [4] of PRESET buttons (2).
- 5) Hold down "TUNE/FLD PUSH SOUND" knob (4) for 1 second or longer to delete the registered PIN. The indication "----" will be displayed and the anti-theft function will be canceled.

NOTE:

To change your PIN, first delete your current PIN, and then set a new one.

Confirming the Personal Identification Number (PIN)

When the main power source is disconnected such as when the lead-acid battery is replaced, etc, it is required to enter the PIN to operate the unit again.

- 1) Set the ignition switch to "ACC" position or the ignition mode to ON. "SECURITY" will be displayed.
- 2) Press UP button (3) and the button numbered [1] of PRESET buttons (2) simultaneously.
- 3) Enter a 4-digit number to be registered as PIN using the buttons numbered [1] - [4] of PRESET buttons (2).
- 4) Hold down "TUNE/FLD PUSH SOUND" knob (4) for 1 second or longer.

When the same PIN as registered is entered, the power of the audio system will be turned off automatically and it will become operable again.

NOTE:

If an incorrect PIN is entered, "ERROR" and the total number of incorrect entry attempts will be displayed.

If an incorrect PIN is entered 10 times or more, "HELP" will be displayed and the audio system will become inoperable.

OTHER CONTROLS AND EQUIPMENT

Troubleshooting

When you encounter a problem, check and follow the instructions below.

If the described suggestions do not solve the problem, it is recommended to take the unit to your authorized SUZUKI dealer.

Problem	Possible cause	Possible solution
---------	----------------	-------------------

Common

Unable to operate	The security function is on.	When "SECURITY" is displayed, enter the PIN. When "HELP" is displayed, contact your authorized SUZUKI dealer.
Unable to turn on the power (No sound is produced)	Fuse is blown.	Contact your authorized SUZUKI dealer.

Radio

Much noise	It may not be exactly tuned in to the station.	Tune it in exactly to the station.
Unable to receive by auto tuning	There may be no station emitting signals powerful enough.	Pick up a station by manual tuning.
	If AF is on, the unit searches for RDS stations only.	Turn off AF.

CD

Sound skips or noise produced	The disc is dirty.	Wipe the disc with a soft cloth.
	The disc has a major scratch or is warped.	Replace the disc with the one which has no scratch and warp.

OTHER CONTROLS AND EQUIPMENT

Problem	Possible cause	Possible solution
---------	----------------	-------------------

MP3/WMA/AAC

No playback	The disc contains unsupported formatted data.	Check the file format.
Sound skips or noise produced	Sound skipping may occur when playing VBR (Variable Bit Rate) files.	It is not recommended to play VBR files.

USB

Playback does not start when the USB device is connected	There is no supported format file to play on this unit.	Check the file format.
	The current consumption of the USB device exceeds 1.0 A.	Use a USB device with a current consumption lower than 1.0 A.

Bluetooth®

Pairing failed	The distance between this unit and the Bluetooth® ready device is too far, or a metallic object may be located between them.	Change the location of the Bluetooth® ready device.
	The Bluetooth® function of the Bluetooth® ready device is off.	Refer to the manual of the Bluetooth® ready device. (Some devices have the power saving function that automatically activates after a certain time.)
Unable to receive a call	Your current location may be out of service area.	Drive your vehicle to the service area of the phone.
The voice quality of hands-free is low (Distortion, noise etc.)	Another wireless device may be located near the unit.	Switch off the wireless device or keep it away from the unit.

OTHER CONTROLS AND EQUIPMENT

Error display messages

Display	Possible cause	Possible solution
---------	----------------	-------------------

CD

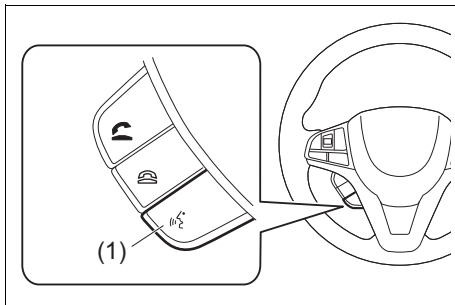
“ERROR 1”	The disc cannot be read.	Insert the disc with its label side up. Check the disc if it is not warped or is free of flaws. When “ERROR 1” does not disappear even when a normal disc is inserted, contact your dealer.
“ERROR 3”	The player developed an error of an unidentified cause.	When the CD is in the unit, press the CD eject button to remove the disc. When the disc cannot be ejected, contact your dealer.

USB/iPod

“USB ERROR”	The USB device is disconnected.	Check the connection of the USB device.
“ERROR 2”	Impossible to communicate correctly with the USB device.	Unplug the USB device and plug it again. Check the USB device.
“ERROR 3”	Inoperable due to an unidentified cause.	Unplug the USB device and plug it again. When “ERROR 3” does not disappear, contact your dealer.
“ERROR 4”	The current consumption of the USB device exceeds 1.0 A.	Check the USB device.

Display	Possible cause	Possible solution
Bluetooth®		
“ERROR 1”	The player developed an error of an unidentified cause.	Disconnect the Bluetooth® ready device and connect it again. When “ERROR 1” does not disappear, contact your dealer.
“Connection Failed”	Failed to establish pairing or connection	Try to establish the pairing or connection again.
“Memory Full”	Reached the limit for the number of phone-book data in transfer	Delete registered data of unnecessary number in phone-book and try to transfer the register phone numbers in the phonebook again.
“Not Available”	Inoperable during driving	Operate the system after pulling over your car.

Talk button (if equipped)



73SB007

(1) Talk button

It can be used with a device having a voice recognition function. To use the function, it is necessary to perform a corresponding setting on your device. For operation of the audio system or the navigation system, refer to the supplementary manual, provided along with it.

OTHER CONTROLS AND EQUIPMENT

MEMO

VEHICLE LOADING AND TOWING

Vehicle loading	6-1
Trailer towing	6-1



54G215

VEHICLE LOADING AND TOWING

Vehicle loading

Your vehicle was designed for specific weight capacities. The weight capacities of your vehicle are indicated by the Gross Vehicle Weight Rating (GVWR) and the Permissible maximum Axle Weight (PAW, front and rear). The GVWR and PAW (front and rear) are listed in the "SPECIFICATIONS" section.

GVWR – Maximum permissible overall weight of the fully loaded vehicle (including all the occupants, accessories and cargo plus the trailer nose weight if towing a trailer).

PAW (front and rear) – Maximum permissible weight on an individual axle.

Actual weight of the loaded vehicle and actual loads at the front and rear axles can only be determined by weighing the vehicle. Compare these weights to the GVWR and PAW (front and rear). If the gross vehicle weight or the load on either axle exceeds these ratings, you must remove enough weight to bring the load down to the rated capacity.

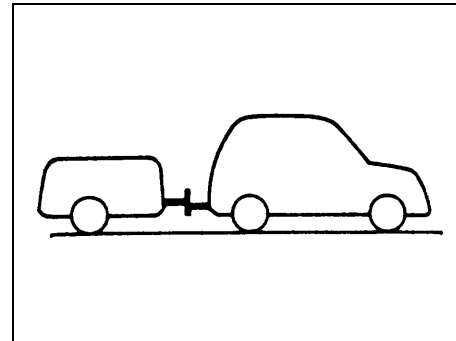
WARNING

Never overload your vehicle. The gross vehicle weight (sum of the weights of the vehicle, all the occupants, accessories, cargo plus trailer nose weight if towing a trailer) must never exceed the Gross Vehicle Weight Rating (GVWR). In addition, never distribute a load so that the weight on either the front or rear axle exceeds the Permissible maximum Axle Weight (PAW).

WARNING

Always distribute cargo evenly. To avoid personal injury or damage to your vehicle, always secure cargo to prevent it from shifting if the vehicle moves suddenly. Place heavier objects on the floor and as far forward in the cargo area as possible. Never pile cargo higher than the top of the seat backs.

Trailer towing



60A185

While towing a trailer can adversely affect handling, durability and fuel economy. Your vehicle can be used to tow a trailer which does not exceed the towing capacity specified below:

Maximum towing capacity (trailer, cargo & tow bar)

Braked trailer: 1000 kg (2205 lbs)
Unbraked trailer: 400 kg (882 lbs)

WARNING

For vehicles equipped with the dual camera brake support, if your vehicle is used to tow a trailer, press the dual camera brake support OFF switch and turn off the dual camera brake support. If not, accidents related to the system being turned on may occur.

NOTICE

Trailer towing puts additional stress on the engine, drive train and brakes of your vehicle. Never tow a trailer during the first 960 km (600 miles) of vehicle operation.

NOTICE

When towing by a vehicle with CVT on a long steep hill, try to take some rest on the way to prevent overheat or damage of the engine or transmission.

Tow bars

Only use a tow bar that is designed to attach to the chassis of your vehicle, and a hitch that is designed to bolt to this tow bar. We recommend that you use a genuine SUZUKI tow bar (available as option), or equivalent.

WARNING

Never use a tow bar which attaches to the axle or the bumper of your vehicle.

Safety chains

Always attach safety chains between your vehicle and trailer. Cross safety chains under the nose of the trailer so that the nose will not drop to the road if the trailer becomes separated from the tow bar. Follow the manufacturer's recommendation for attaching safety chains. Always leave just enough slack to permit full turning. Never allow safety chains to drag on the road.

WARNING

Never attach safety chains to the bumper of your vehicle. Secure connections so that they cannot come loose.

Trailer lights

Check that your trailer is equipped with lights which meet local requirements. Always check for the proper operation of all trailer lights before you start to tow.

WARNING

Never connect trailer lights directly into your vehicle's electrical system, or electrical system damage may occur.

Brakes

WARNING

If trailer brakes are used, follow all instructions provided by the manufacturer. Never connect to the brake system of your vehicle and never take an electrical supply directly from the wiring harness.

VEHICLE LOADING AND TOWING

Tyres

WARNING

When towing a trailer, it is very important for your vehicle and trailer to have properly inflated tyres. Your vehicle's tyres should be inflated to the pressures listed on your vehicles tyre information label. If laden pressures are listed on the label, the tyres should be inflated to the laden pressures. Inflate trailer tyres according to the specifications provided by the trailer manufacturer.

Mirrors

Check if your vehicle's mirrors meet local requirements for mirrors used on towing vehicles. If they do not, you must install the required mirrors before you tow.

Vehicle/trailer loading

To load your vehicle and trailer properly, you must know how to measure gross trailer weight and trailer nose weight.

Gross trailer weight is the weight of the trailer plus all the cargo in it. You can measure gross trailer weight by putting the fully loaded trailer on a vehicle scale.

Nose weight is the downward force exerted on the tow bar by the trailer cou-

pler, with the trailer fully loaded and the coupler at its normal towing height. This weight can be measured using a bathroom scale.

The weight of your loaded trailer (gross trailer weight) should never exceed towing capacity.

Distribute cargo in your trailer so that nose weight is about 10% of gross trailer weight, but does not exceed "Maximum vertical load" of 50 kg (110 lbs), and does not fall below 25 kg (55 lbs) or 4%, whichever is heavier, on trailer hitch point. You should measure gross trailer weight and nose weight before towing to check that your load is properly distributed.

WARNING

Improper weight distribution of your trailer may result in poor vehicle handling and swaying of the trailer. Always check that trailer nose weight is about 10% of gross trailer weight, but does not exceed "Maximum vertical load" of 50 kg (110 lbs), and does not fall below 25 kg (55 lbs) or 4%, whichever is heavier, on trailer hitch point. Also check that the cargo is properly secured. Failure to observe this requirement may result in an accident.

WARNING

Never overload cargo on your trailer or your vehicle. Gross trailer weight must never exceed towing capacity. Gross vehicle weight (sum of the weights of the vehicle, all the occupants, accessories including tow bars and a trailer hitch, cargo and trailer nose weight) must never exceed the Gross Vehicle Weight Rating (GVWR) listed in the "SPECIFICATIONS" section.

NOTE:

For 4WD model in Europe, in the Member States where the road traffic legislation allows it, as it is also stated in COMMISSION REGULATION (EU) 1230/2012, the technically permissible maximum laden mass (GVWR) of the vehicle may be exceeded by not more than 40 kg (88 lbs) in case of towing a trailer.

Additional trailer towing warnings

▲ WARNING

Connect trailer lights and hook up safety chains every time you tow.

NOTICE

Because towing a trailer puts additional stress on your vehicle, more frequent maintenance will be required than under normal driving conditions. Follow the schedule in “Maintenance recommended under severe driving conditions”.

▲ WARNING

Your vehicle should be handled in a different way when towing a trailer. For the safety of yourself and others, observe the following precautions:

- Practice turning, stopping, and reversing before you begin towing a trailer in traffic. Do not tow a trailer in traffic until you are confident that you can handle the vehicle and trailer safely.
- Never exceed towing speed limits or 80 km/h (50 mph), whichever is lower.
- Never drive at a speed that causes shaking or swaying of the trailer. If you notice even the slightest sign of shaking or swaying, slow down.
- When roads are wet, slippery or rough, drive at a slower speed than you would on dry or smooth roads. Failure to slow down when road conditions are bad can result in loss of control.
- Always have someone guide you when reversing.

(Continued)

▲ WARNING

(Continued)

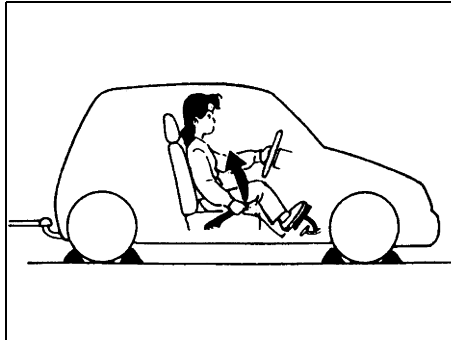
- Allow adequate stopping distance. Stopping distance is increased when you tow a trailer. For each 16 km/h (10 mph) of speed, allow at least one vehicle and trailer length between you and the vehicle ahead. Allow a greater stopping distance if roads are wet or slippery.
- If the trailer has over-run brakes, apply the brakes gradually to avoid snatching caused by the trailer wheels locking.
- Slow down before corners and maintain a steady speed while cornering. Deceleration or acceleration while cornering can result in loss of control. Remember that a larger than normal turning radius is needed because the trailer wheels will be closer than vehicle wheels to the inside of the turn.
- Avoid sudden acceleration and stopping of the vehicle. Do not make quick maneuvers unless they are necessary.
- Slow down in cross winds and be prepared for gusts of wind from large passing vehicles.

(Continued)

⚠ WARNING

(Continued)

- Be careful when overtaking other vehicles. Allow enough room for your trailer before changing lanes, and use turn signal lights properly in advance.
- Slow down and shift into a lower gear before you reach long or steep downhill grades. It is hazardous to attempt downshifting while you are descending a hill.
- Do not step on the brake pedal strongly. This could cause the brakes to over-heat resulting in reduced braking efficiency. Use engine braking as much as possible.
- Because of the added trailer weight, your engine may overheat on hot days when going up long or steep hills. Pay attention to your engine temperature. If the high engine coolant temperature warning light (red color) indicates overheating, pull off the road and stop the vehicle in a safe place. Refer to “Engine trouble: Overheating” in the “EMERGENCY SERVICE” section.



60A186

⚠ WARNING

When parking your vehicle and connected trailer, always use the following procedure:

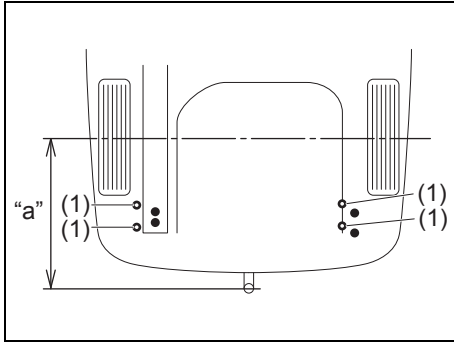
- 1) Apply the vehicle's brakes firmly.
- 2) Have another person place wheel chocks under the wheels of the vehicle and the trailer while you are holding the brakes.
- 3) Slowly release the brakes until the wheel chocks absorb the load.
- 4) Fully engage the parking brake.
- 5) Manual transmission – turn off the engine, then shift into reverse or 1st gear.
CVT – shift into “P” (Park) and turn off the engine.

When starting out after parking:

- 1) Depress the clutch and start the engine.
- 2) Shift into gear, release the parking brake, and slowly pull away from the chocks.
- 3) Stop, apply the brakes firmly and hold them.
- 4) Have another person remove the chocks.

Trailer hitch installation points

2WD models



75RM364

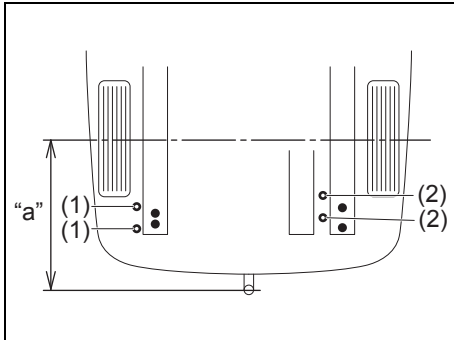
Maximum vertical load on trailer hitch point (EU)

50 kg (110 lbs)

Maximum permissible overhang "a"

623 mm (24.5 in.)

4WD models

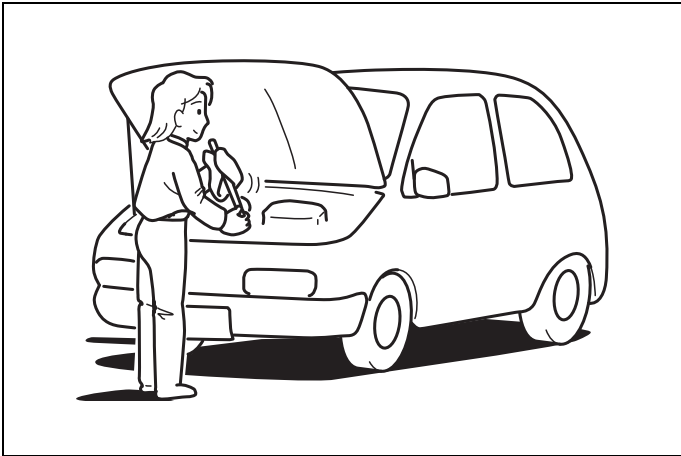


75RM365

- (1) Side
- (2) Diagonal

MEMO

INSPECTION AND MAINTENANCE



60G410

- Maintenance schedule 7-2
- Periodic maintenance schedule
(except for EU countries and Israel) 7-3
- Maintenance recommended under severe driving conditions
(except for EU countries and Israel) 7-8
- Periodic maintenance schedule
(for EU countries and Israel) 7-13
- Maintenance recommended under severe driving conditions
(for EU countries and Israel) 7-18
- Drive belt 7-23
- Engine oil and filter 7-23
- Engine coolant 7-28
- Air cleaner 7-30
- Spark plugs 7-31
- Continuously variable transmission (CVT) fluid 7-33
- Gear oil 7-34
- Clutch 7-36
- Brakes 7-37
- Steering 7-40
- Tyres 7-40
- Battery 7-43
- Fuses 7-47
- Headlight aiming 7-51
- Bulb replacement 7-52
- Wiper blades 7-58
- Windshield washer fluid 7-61
- Air conditioning system 7-62



60B128S

⚠ WARNING

Take extreme care when working on your vehicle to prevent accidental injury. Carefully observe the following precautions:

- To prevent damage or unintended activation of the airbag system or seat belt pretensioner system, check that the lead-acid battery is disconnected and the ignition switch has been in "LOCK" position or the ignition mode has been LOCK (OFF) for at least 90 seconds before performing any electrical service work on your SUZUKI vehicle. Do not touch airbag system components, seat belt pretensioner system components or wires.

The wires are wrapped with yellow tape or yellow tubing, and the couplers are yellow for easy identification.

- Do not leave the engine running in garages or other confined areas.

(Continued)

⚠ WARNING

(Continued)

- When the engine is running, keep hands, clothing, tools, and other objects away from the fan and drive belt. Even though the fan may not be moving, it can automatically turn on without warning.
- When it is necessary to perform service work with the engine running, check that the parking brake is set fully and the transmission is in Neutral (for manual transmission vehicles) or Park (for CVT vehicles).
- Do not touch ignition wires or other ignition system parts when starting the engine or when the engine is running, or you could receive an electric shock.
- Be careful not to touch a hot engine, exhaust manifold and pipes, muffler, radiator and water hoses.
- Do not allow smoking, sparks, or flames around fuel or the battery. Flammable fumes are present.
- Do not get under your vehicle if it is supported only with the portable jack provided in your vehicle.
- Be careful not to cause accidental short circuits between the positive and negative battery terminals.

(Continued)

⚠ WARNING

(Continued)

- Keep used oil, coolant, and other fluids away from children and pets. Dispose of used fluids properly; never pour them on the ground, into sewers, etc.

Maintenance schedule

The following table shows the times when you should perform regular maintenance on your vehicle. This table shows in miles, kilometers and months when you should perform inspections, adjustments, lubrication and other services. These intervals should be shortened if driving is usually done under severe conditions (refer to "Maintenance recommended under severe driving conditions").

WARNING

SUZUKI recommends that maintenance on items marked with an asterisk (*) be performed by your authorized SUZUKI dealer or a qualified service technician. If you are qualified, you may perform maintenance on the unmarked items by referring to the instructions in this section. If you are not sure whether you can successfully complete any of the unmarked maintenance jobs, ask your authorized SUZUKI dealer to do the maintenance for you.

NOTICE

Whenever it becomes necessary to replace parts on your vehicle, it is recommended that you use genuine SUZUKI replacement parts or their equivalent.

INSPECTION AND MAINTENANCE

Periodic maintenance schedule (except for EU countries and Israel)

“R” : Replace or Change

“I” : Inspect, clean, adjust, lubricate or replace as necessary

NOTE:

- **Class 1: K12C engine**
- **Class 2: K12M engine**
- **Class 3: K12D engine**

NOTE:

This table shows the service schedule up to 180000 km (108000 miles). Beyond 180000 km (108000 miles), perform the same services at the same intervals shown in the chart.

INSPECTION AND MAINTENANCE

- **Class 1:** K12C engine
- **Class 2:** K12M engine
- **Class 3:** K12D engine

Interval: This interval should be judged by odometer reading or months, whichever comes first.		km (x1000)	15	30	45	60	75	90
		miles (x1000)	9	18	27	36	45	54
		months	12	24	36	48	60	72
ENGINE								
*1-1. Engine accessory drive belt	[Class 1] Tension check, *Replacement	-	-	I	-	-	-	R
	[Class 2] Tension check, *Adjustment, *Replacement	-	-	I	-	-	-	R
	[Class 3] Tension check, *Replacement	I	I	I	I	R	-	I
*1-2. Valve clearance	[Class 2] (#1)	-	I	-	I	-	-	I
1-3. Engine oil and engine oil filter		R	R	R	R	R	R	R
1-4. Engine coolant	SUZUKI LLC: Super (Blue) (#2)	First time only: Replace at 150000 km (90000 miles) or 96 months.						
		Second time and after: Replace every 75000 km (45000 miles) or 48 months.						
	SUZUKI LLC: Standard (Green)	-	-	R	-	-	-	R
*1-5. Exhaust system (except catalyst)		-	I	-	I	-	-	I
IGNITION								
2-1. Spark plugs When unleaded fuel is used	[Class 1, 3] Iridium plug	Replace every 105000 km (63000 miles) or 84 months.						
	[Class 2] Nickel plugs	-	-	R	-	-	-	R
	Spark plugs When leaded fuel is used, refer to "Severe driving condition" schedule.							
FUEL								
3-1. Air cleaner filter element	Paved-road	I	I	R	I	I	I	R
	Dusty condition	Refer to "Severe driving condition" schedule.						
*3-2. Fuel lines		-	I	-	I	-	-	I
*3-3. Fuel filter		Replace every 105000 km (63000 miles).						
*3-4. Fuel tank		-	-	I	-	-	-	I
EMISSION CONTROL SYSTEM								
*4-1. PCV valve		Inspect every 80000 km (50000 miles) or 48 months.						
*4-2. Fuel evaporative emission control system		-	-	-	-	-	-	I

#1: Valve clearance for K12C and K12D engine models is not required for maintenance.

#2: Perform the engine coolant level check under the daily inspection in the "OPERATING YOUR VEHICLE" section.

If you use the engine coolant other than "SUZUKI LLC: Super (Blue)" for replacement, follow the schedule of "SUZUKI LLC: Standard (Green)".

INSPECTION AND MAINTENANCE

Interval: This interval should be judged by odometer reading or months, whichever comes first.		km (x1000)	105	120	135	150	165	180
		miles (x1000)	63	72	81	90	99	108
		months	84	96	108	120	132	144
ENGINE								
*1-1. Engine accessory drive belt	[Class 1] Tension check, *Replacement	-	-		-	-	-	R
	[Class 2] Tension check, *Adjustment, *Replacement	-	-		-	-	-	R
	[Class 3] Tension check, *Replacement				R			
*1-2. Valve clearance	[Class 2] (#1)	-		-		-	-	
1-3. Engine oil and engine oil filter		R	R	R	R	R	R	R
1-4. Engine coolant	SUZUKI LLC: Super (Blue) (#2)	First time only: Replace at 150000 km (90000 miles) or 96 months.						
		Second time and after: Replace every 75000 km (45000 miles) or 48 months.						
	SUZUKI LLC: Standard (Green)	-	-	R	-	-	-	R
*1-5. Exhaust system (except catalyst)		-		-		-	-	
IGNITION								
2-1. Spark plugs When unleaded fuel is used	[Class 1, 3] Iridium plug	Replace every 105000 km (63000 miles) or 84 months.						
	[Class 2] Nickel plugs	-	-	R	-	-	-	R
	Spark plugs When leaded fuel is used, refer to "Severe driving condition" schedule.							
FUEL								
3-1. Air cleaner filter element	Paved-road			R				R
	Dusty condition	Refer to "Severe driving condition" schedule.						
*3-2. Fuel lines		-		-		-	-	
*3-3. Fuel filter		Replace every 105000 km (63000 miles).						
*3-4. Fuel tank		-	-		-	-	-	
EMISSION CONTROL SYSTEM								
*4-1. PCV valve		Inspect every 80000 km (50000 miles) or 48 months.						
*4-2. Fuel evaporative emission control system		-	-	-	-	-	-	

#1: Valve clearance for K12C and K12D engine models is not required for maintenance.

#2: Perform the engine coolant level check under the daily inspection in the "OPERATING YOUR VEHICLE" section.

If you use the engine coolant other than "SUZUKI LLC: Super (Blue)" for replacement, follow the schedule of "SUZUKI LLC: Standard (Green)".

INSPECTION AND MAINTENANCE

Interval: This interval should be judged by odometer reading or months, whichever comes first.	km (x1000)	15	30	45	60	75	90
	miles (x1000)	9	18	27	36	45	54
	months	12	24	36	48	60	72
BRAKE							
*5-1. Brake discs and pads (front)							
Brake drums and shoes (rear)		-		-		-	
*5-2. Brake hoses and pipes		-		-		-	
*5-3. Brake pedal							
*5-4. Brake fluid			R		R		R
5-5. Brake lever and cable	Check, *Adjustment (1st 15000 km only)		-	-	-	-	-
CHASSIS AND BODY							
*6-1. Clutch Pedal							
6-2. Tyres/Wheels (#3)							
*6-3. Wheel bearings (#4)		-		-		-	
*6-4. Drive axle boots (#5)		-	-		-	-	
*6-5. Suspension system (#6)		-		-		-	
*6-6. Steering system (#7)		-		-		-	
*6-7. Manual transmission oil	Genuine "SUZUKI GEAR OIL 75W"	Inspect every 30000 km (18000 miles) or 24 months.					
	Other than "SUZUKI GEAR OIL 75W" (I: 1st 15000 km only)		-	R	-	-	R
6-8. Continuously variable transmission (CVT)	Fluid level	-		-		-	
6-9. All latches, hinges and locks		-		-		-	
*6-10. Air conditioner filter element (if equipped)		-		R	-		R

WARNING

The shock absorbers are filled with high pressure gas. Never attempt to disassemble them or throw them into a fire. Avoid storing them near a heater or heating device. When scrapping the absorber, the gas must be released from the absorber safely. Ask your dealer for assistance.

- | | |
|--|--|
| #3: Tyres/Wheels (including tyre rotation) for Mexico models | :Inspect every 15000 km (9000 miles) or 12 months. |
| #4: Wheel bearings for Mexico models | :Inspect every 15000 km (9000 miles) or 12 months. |
| #5: Drive axle boots for Mexico models | :Inspect every 15000 km (9000 miles) or 12 months. |
| #6: Suspension system for Mexico models | :Inspect every 15000 km (9000 miles) or 12 months. |
| #7: Steering system for Mexico models | :Inspect every 15000 km (9000 miles) or 12 months. |

INSPECTION AND MAINTENANCE

Interval: This interval should be judged by odometer reading or months, whichever comes first.	km (x1000)	105	120	135	150	165	180
	miles (x1000)	63	72	81	90	99	108
	months	84	96	108	120	132	144
BRAKE							
*5-1. Brake discs and pads (front)							
Brake drums and shoes (rear)	-		-		-		
*5-2. Brake hoses and pipes	-		-		-		
*5-3. Brake pedal							
*5-4. Brake fluid		R		R		R	R
*5-5. Brake lever and cable	Check, *Adjustment (1st 15000 km only)		-	-	-	-	-
CHASSIS AND BODY							
*6-1. Clutch Pedal							
6-2. Tyres/Wheels (#3)							
*6-3. Wheel bearings (#4)	-		-		-		
*6-4. Drive axle boots (#5)	-	-		-	-		
*6-5. Suspension system (#6)	-		-		-		
*6-6. Steering system (#7)	-		-		-		
*6-7. Manual transmission oil	Genuine "SUZUKI GEAR OIL 75W"	Inspect every 30000 km (18000 miles) or 24 months.					
	Other than "SUZUKI GEAR OIL 75W" (I: 1st 15000 km only)		-	R	-	-	R
6-8. Continuously variable transmission (CVT)	Fluid level	-		-		-	
6-9. All latches, hinges and locks		-		-		-	
*6-10. Air conditioner filter element (if equipped)		-		R	-		R

#3: Tyres/Wheels (including tyre rotation) for Mexico models

:Inspect every 15000 km (9000 miles) or 12 months.

#4: Wheel bearings for Mexico models

:Inspect every 15000 km (9000 miles) or 12 months.

#5: Drive axle boots for Mexico models

:Inspect every 15000 km (9000 miles) or 12 months.

#6: Suspension system for Mexico models

:Inspect every 15000 km (9000 miles) or 12 months.

#7: Steering system for Mexico models

:Inspect every 15000 km (9000 miles) or 12 months.

Maintenance recommended under severe driving conditions (except for EU countries and Israel)

Follow this schedule if your vehicle is mainly operated under one or more of the following conditions:

- When most trips are less than 6 km (4 miles).
- When most trips are less than 16 km (10 miles) and outside temperature remains below freezing.
- Idling and/or low-speed operation in stop-and-go traffic.
- Operating in extremely cold weather and/or on salted roads.
- Operating in rough and/or muddy areas.
- Operating in dusty areas.
- Repeated high speed drive or high engine revolutions.
- Towing a trailer, if admitted.

Schedule should also be followed if the vehicle is used for delivery service, police, taxi or other commercial applications.

NOTE:

- ***Class 1: K12C engine***
- ***Class 2: K12M engine***
- ***Class 3: K12D engine***

INSPECTION AND MAINTENANCE

- **Class 1:** K12C engine
- **Class 2:** K12M engine
- **Class 3:** K12D engine

Interval: This interval should be judged by odometer reading or months, whichever comes first.		km (x1000)	7.5	15	22.5	30	37.5	45
		miles (x1000)	4.5	9	13.5	18	22.5	27
		months	6	12	18	24	30	36
ENGINE								
*1-1. Engine accessory drive belt	[Class 1] Tension check, *Replacement	-	I	-	I	-	R	
	[Class 2] Tension check, *Adjustment, *Replacement	-	I	-	I	-	R	
	[Class 3] Tension check, *Replacement	I	I	I	I	R	I	
*1-2. Valve clearance	[Class 2] (#1)	-	-	-	I	-	-	
1-3. Engine oil and engine oil filter		R	R	R	R	R	R	
1-4. Engine coolant	SUZUKI LLC: Super (Blue) (#2)	First time only: Replace at 150000 km (90000 miles) or 96 months.						
		Second time and after: Replace every 75000 km (45000 miles) or 48 months.						
	SUZUKI LLC: Standard (Green)	-	-	-	-	-	R	
*1-5. Exhaust system (except catalyst)		-	-	-	I	-	-	
IGNITION								
2-1. Spark plugs	[Class 1, 3] Iridium plug	-	-	-	R	-	-	
	[Class 2] Nickel plugs	Replace every 10000 km (6000 miles) or 8 months.						
FUEL								
3-1. Air cleaner filter element* ¹		Inspect every 2500 km (1500 miles). Replace every 30000 km (18000 miles) or 24 months.						
*3-2. Fuel lines		-	-	-	I	-	-	
*3-3. Fuel filter		Replace every 105000 km (63000 miles).						
*3-4. Fuel tank		-	-	-	-	-	I	
EMISSION CONTROL SYSTEM								
*4-1. PCV valve		Inspect every 80000 km (50000 miles) or 48 months.						
*4-2. Fuel evaporative emission control system		-	-	-	-	-	-	

#1: Valve clearance for K12C and K12D engine models is not required for maintenance.

#2: Perform the engine coolant level check under the daily inspection in the "OPERATING YOUR VEHICLE" section.

If you use the engine coolant other than "SUZUKI LLC: Super (Blue)" for replacement, follow the schedule of "SUZUKI LLC: Standard (Green)".

INSPECTION AND MAINTENANCE

Interval: This interval should be judged by odometer reading or months, whichever comes first.		km (x1000)	52.5	60	67.5	75	82.5	90
		miles (x1000)	31.5	36	40.5	45	49.5	54
		months	42	48	54	60	66	72
ENGINE								
*1-1. Engine accessory drive belt	[Class 1, 3] Tension check, *Replacement	-		-		-	-	R
	[Class 2] Tension check, *Adjustment, *Replacement	-		-		-	-	R
	[Class 3] Tension check, *Replacement				R		-	
*1-2. Valve clearance	[Class 2] (#1)	-		-	-	-	-	
1-3. Engine oil and engine oil filter		R	R	R	R	R	R	R
1-4. Engine coolant	SUZUKI LLC: Super (Blue) (#2)	First time only: Replace at 150000 km (90000 miles) or 96 months.						
		Second time and after: Replace every 75000 km (45000 miles) or 48 months.						
	SUZUKI LLC: Standard (Green)	-	-	-	-	-	-	R
*1-5. Exhaust system (except catalyst)		-		-	-	-	-	
IGNITION								
2-1. Spark plugs	[Class 1, 3] Iridium plug	-	R	-	-	-	-	R
	[Class 2] Nickel plugs	Replace every 10000 km (6000 miles) or 8 months.						
FUEL								
3-1. Air cleaner filter element* ¹		Inspect every 2500 km (1500 miles).						
		Replace every 30000 km (18000 miles) or 24 months.						
*3-2. Fuel lines		-		-	-	-	-	
*3-3. Fuel filter		Replace every 105000 km (63000 miles).						
*3-4. Fuel tank		-	-	-	-	-	-	
EMISSION CONTROL SYSTEM								
*4-1. PCV valve		Inspect every 80000 km (50000 miles) or 48 months.						
*4-2. Fuel evaporative emission control system		-	-	-	-	-	-	

- #1: Valve clearance for K12C and K12D engine models is not required for maintenance.
- #2: Perform the engine coolant level check under the daily inspection in the “OPERATING YOUR VEHICLE” section.
If you use the engine coolant other than “SUZUKI LLC: Super (Blue)” for replacement, follow the schedule of “SUZUKI LLC: Standard (Green)”.

INSPECTION AND MAINTENANCE

Interval: This interval should be judged by odometer reading or months, whichever comes first.	km (x1000)	7.5	15	22.5	30	37.5	45
	miles (x1000)	4.5	9	13.5	18	22.5	27
	months	6	12	18	24	30	36
BRAKE							
*5-1. Brake discs and pads (front)		–		–		–	
Brake drums and shoes (rear)		–	–	–		–	–
*5-2. Brake hoses and pipes		–	–	–		–	–
*5-3. Brake pedal		–		–		–	
*5-4. Brake fluid		–		–	R	–	
*5-5. Brake lever and cable	Check, *Adjustment (1st 15000 km only)	–		–	–	–	–
CHASSIS AND BODY							
*6-1. Clutch pedal		–		–		–	
6-2. Tyres/Wheels (#3)		–		–		–	
*6-3. Wheel bearings (#4)		–		–		–	
*6-4. Drive axle boots (#5)		–		–		–	
*6-5. Suspension system (#6)		–	–	–		–	–
*6-6. Steering system (#7)		–	–	–		–	–
*6-7. Manual transmission oil	Genuine "SUZUKI GEAR OIL 75W"	Inspect every 30000 km (18000 miles) or 24 months.					
	Other than "SUZUKI GEAR OIL 75W"	Replace every 60000 km (36000 miles) or 48 months.					
6-8. Continuously variable transmission (CVT)	Fluid level	–	–	–	R	–	–
	Fluid deterioration check ²	–	–	–		–	–
	*Fluid change	Replace every 75000 km (45000 miles).					
6-9. All latches, hinges and locks		–	–	–		–	–
6-10. Air conditioner filter element (if equipped) ³		–		–		–	R

WARNING

The shock absorbers are filled with high pressure gas. Never attempt to disassemble them or throw them into a fire. Avoid storing them near a heater or heating device. When scrapping the absorber, the gas must be released from the absorber safely. Ask your dealer for assistance.

- #3: Tyres/Wheels (including tyre rotation) for Mexico models :Inspect every 7500 km (4500 miles) or 6 months.
 #4: Wheel bearings for Mexico models :Inspect every 7500 km (4500 miles) or 6 months.
 #5: Drive axle boots for Mexico models :Inspect every 7500 km (4500 miles) or 6 months.
 #6: Suspension system for Mexico models :Inspect every 7500 km (4500 miles) or 6 months.
 #7: Steering system for Mexico models :Inspect every 7500 km (4500 miles) or 6 months.

INSPECTION AND MAINTENANCE

Interval: This interval should be judged by odometer reading or months, whichever comes first.	km (x1000)	52.5	60	67.5	75	82.5	90
	miles (x1000)	31.5	36	40.5	45	49.5	54
	months	42	48	54	60	66	72
BRAKE							
*5-1. Brake discs and pads (front)		–		–		–	
Brake drums and shoes (rear)		–		–	–	–	
*5-2. Brake hoses and pipes		–		–	–	–	
*5-3. Brake pedal		–		–		–	
5-3. Brake fluid		–	R	–		–	R
5-4. Brake lever and cable	Check, *Adjustment (1st 15000 km only)	–	–	–	–	–	–
CHASSIS AND BODY							
*6-1. Clutch pedal		–		–		–	
6-2. Tyres/Wheels (#3)		–		–		–	
*6-3. Wheel bearings (#4)		–		–		–	
*6-4. Drive axle boots (#5)		–		–		–	
*6-5. Suspension system (#6)		–		–	–	–	
*6-6. Steering system (#7)		–		–	–	–	
*6-7. Manual transmission oil	Genuine "SUZUKI GEAR OIL 75W"	Inspect every 30000 km (18000 miles) or 24 months.					
	Other than "SUZUKI GEAR OIL 75W"	Replace every 60000 km (36000 miles) or 48 months.					
6-8. Continuously variable transmission (CVT)	Fluid level	–	R	–	–	–	R
	Fluid deterioration check ²	–		–	–	–	
	*Fluid change	Replace every 75000 km (45000 miles).					
6-9. All latches, hinges and locks		–		–	–	–	
6-10. Air conditioner filter element (if equipped) ³		–		–		–	R

#3: Tyres/Wheels (including tyre rotation) for Mexico models :Inspect every 7500 km (4500 miles) or 6 months.

#4: Wheel bearings for Mexico models :Inspect every 7500 km (4500 miles) or 6 months.

#5: Drive axle boots for Mexico models :Inspect every 7500 km (4500 miles) or 6 months.

#6: Suspension system for Mexico models :Inspect every 7500 km (4500 miles) or 6 months.

#7: Steering system for Mexico models :Inspect every 7500 km (4500 miles) or 6 months.

NOTE:

This table shows the service schedule up to 90000 km (54000 miles).

Beyond 90000 km (54000 miles), perform the same services at the same intervals shown in the chart.

**1 Inspect more frequently if the vehicle is used under dusty conditions.*

**2 Check or replace as necessary if you usually drive with high speed or high engine revolutions.*

**3 Clean more frequently if the air flow from the air conditioner decreases.*

INSPECTION AND MAINTENANCE

Periodic maintenance schedule (for EU countries and Israel)

“R” : Replace or Change

“I” : Inspect, clean, adjust, lubricate or replace as necessary

NOTE:

This table shows the service schedule up to 240000 km (150000 miles). Beyond 240000 km (150000 miles), perform the same services at the same intervals shown in the chart.

INSPECTION AND MAINTENANCE

Interval: This interval should be judged by odometer reading or months, whichever comes first.		km (x1000)	20	40	60	80	100	120
		miles (x1000)	12.5	25	37.5	50	62.5	75
		months	12	24	36	48	60	72
ENGINE								
*1-1. Engine accessory drive belt	Tension check, *Replacement					R		
1-2. Engine oil and engine oil filter	ACEA Standards or SUZUKI GENUINE OIL (#1)		R	R	R	R	R	R
	Other than ACEA Standards or SUZUKI GENUINE OIL (#1)		Refer to "Oil change request light" in the "BEFORE DRIVING" section. Replace every 15000 km (9375 miles) or 12 months.					
1-3. Engine coolant	SUZUKI LLC: Super (Blue) (#2)	First time only:	Refer to "Oil change request light" in the "BEFORE DRIVING" section. Replace at 160000 km (100000 miles) or 96 months.					
		Second time and after:	Replace every 80000 km (50000 miles) or 48 months.					
	SUZUKI LLC: Standard (Green)		Replace every 40000 km (25000 miles) or 36 months.					
*1-4. Exhaust system (except catalyst)			-		-		-	
IGNITION								
2-1. Spark plugs When unleaded fuel is used Iridium plug			Replace every 100000 km (62500 miles) or 84 months.					
	Spark plugs When leaded fuel is used, refer to "Severe driving condition" schedule.							
FUEL								
3-1. Air cleaner filter element	Paved-road		Inspect every 20000 km (12500 miles) or 12 months.					
	Dusty condition		Replace every 40000 km (25000 miles) or 36 months.					
			Refer to "Severe driving condition" schedule.					
*3-2. Fuel lines			-		-		-	
*3-3. Fuel tank			-		-		-	

#1: For further details, see "Engine oil and filter" in this section.

#2: Perform the engine coolant level check under the daily inspection in the "OPERATING YOUR VEHICLE" section.

If you use the engine coolant other than "SUZUKI LLC: Super (Blue)" for replacement, follow the schedule of "SUZUKI LLC: Standard (Green)".

INSPECTION AND MAINTENANCE

Interval: This interval should be judged by odometer reading or months, whichever comes first.	km (x1000)	140	160	180	200	220	240	
	miles (x1000)	87.5	100	112.5	125	137.5	150	
	months	84	96	108	120	132	144	
ENGINE								
*1-1. Engine accessory drive belt	Tension check, *Replacement	I	R	I	I	I	R	
1-2. Engine oil and engine oil filter	ACEA Standards or SUZUKI GENUINE OIL (#1)	R	R	R	R	R	R	
	Other than ACEA Standards or SUZUKI GENUINE OIL (#1)	Refer to "Oil change request light" in the "BEFORE DRIVING" section. Replace every 15000 km (9375 miles) or 12 months.						
1-3. Engine coolant	SUZUKI LLC: Super (Blue) (#2)	First time only:	Replace at 160000 km (100000 miles) or 96 months.					
		Second time and after:	Replace every 80000 km (50000 miles) or 48 months.					
	SUZUKI LLC: Standard (Green)	Replace every 40000 km (25000 miles) or 36 months.						
*1-4. Exhaust system (except catalyst)		-	I	-	I	-	I	
IGNITION								
2-1. Spark plugs When unleaded fuel is used Iridium plug		Replace every 100000 km (62500 miles) or 84 months.						
Spark plugs When leaded fuel is used, refer to "Severe driving condition" schedule.								
FUEL								
3-1. Air cleaner filter element	Paved-road	Inspect every 20000 km (12500 miles) or 12 months.						
	Dusty condition	Replace every 40000 km (25000 miles) or 36 months. Refer to "Severe driving condition" schedule.						
*3-2. Fuel lines		-	I	-	I	-	I	
*3-3. Fuel tank		-	I	-	I	-	I	

#1: For further details, see "Engine oil and filter" in this section.

#2: Perform the engine coolant level check under the daily inspection in the "OPERATING YOUR VEHICLE" section.

If you use the engine coolant other than "SUZUKI LLC: Super (Blue)" for replacement, follow the schedule of "SUZUKI LLC: Standard (Green)".

INSPECTION AND MAINTENANCE

Interval: This interval should be judged by odometer reading or months, whichever comes first.	km (x1000)	20	40	60	80	100	120
	miles (x1000)	12.5	25	37.5	50	62.5	75
	months	12	24	36	48	60	72
EMISSION CONTROL SYSTEM							
*4-1. PCV valve		–	–	–		–	–
*4-2. Fuel evaporative emission control system		–	–	–	–	–	
BRAKE							
*5-1. Brake discs and pads (front)							
Brake drums and shoes (rear)		–		–		–	
*5-2. Brake hoses and pipes		–		–		–	
*5-3. Brake pedal							
*5-4. Brake fluid			R		R		R
5-5. Brake lever and cable	Check, *Adjustment (1st 20000 km only)		–	–	–	–	–
CHASSIS AND BODY							
*6-1. Clutch pedal							
6-2. Tyres/Wheels							
*6-3. Wheel bearings		–		–		–	
*6-4. Drive axle boots/Propeller shafts (4WD)		–		–		–	
*6-5. Suspension system		–		–		–	
*6-6. Steering system		–		–		–	
*6-7. Manual transmission oil	Genuine "SUZUKI GEAR OIL 75W"	Inspect every 40000 km (25000 miles) or 24 months.					
	Other than "SUZUKI GEAR OIL 75W"	–	R	–	R	–	R
*6-8. Auto Gear Shift oil	Genuine "SUZUKI GEAR OIL 75W"	Inspect every 40000 km (25000 miles) or 24 months.					
	Other than "SUZUKI GEAR OIL 75W"	–	R	–	R	–	R
6-9. Continuously variable transmission (CVT)	Fluid level	–		–		–	
*6-10. Transfer oil (4WD)		Inspect every 40000 km (25000 miles) or 24 months.					
		Replace every 160000 km (100000 miles) or 96 months.					
*6-11. Rear differential oil (4WD)		Inspect every 40000 km (25000 miles) or 24 months.					
		Replace every 160000 km (100000 miles) or 96 months.					
6-12. All latches, hinges and locks		–		–		–	
*6-13. Air conditioner filter element (if equipped)		–		R	–		R

WARNING

The shock absorbers are filled with high pressure gas. Never attempt to disassemble them or throw them into a fire. Avoid storing them near a heater or heating device. When scrapping the absorber, the gas must be released from the absorber safely. Ask your dealer for assistance.

INSPECTION AND MAINTENANCE

Interval: This interval should be judged by odometer reading or months, whichever comes first.	km (x1000)	140	160	180	200	220	240
	miles (x1000)	87.5	100	112.5	125	137.5	150
	months	84	96	108	120	132	144
EMISSION CONTROL SYSTEM							
*4-1. PCV valve		-	I	-	-	-	I
*4-2. Fuel evaporative emission control system		-	-	-	-	-	I
BRAKE							
*5-1. Brake discs and pads (front)		I	I	I	I	I	I
Brake drums and shoes (rear)		-	I	-	I	-	I
*5-2. Brake hoses and pipes		-	I	-	I	-	I
*5-3. Brake pedal		I	I	I	I	I	I
*5-4. Brake fluid		I	R	I	R	I	R
5-5. Brake lever and cable	Check, *Adjustment (1st 20000 km only)	I	-	-	-	-	-
CHASSIS AND BODY							
*6-1. Clutch pedal		I	I	I	I	I	I
6-2. Tyres/Wheels		I	I	I	I	I	I
*6-3. Wheel bearings		-	I	-	I	-	I
*6-4. Drive axle boots/Propeller shafts (4WD)		-	I	-	I	-	I
*6-5. Suspension system		-	I	-	I	-	I
*6-6. Steering system		-	I	-	I	-	I
*6-7. Manual transmission oil	Genuine "SUZUKI GEAR OIL 75W"	Inspect every 40000 km (25000 miles) or 24 months.					
	Other than "SUZUKI GEAR OIL 75W"	-	R	-	R	-	R
*6-8. Auto Gear Shift oil	Genuine "SUZUKI GEAR OIL 75W"	Inspect every 40000 km (25000 miles) or 24 months.					
	Other than "SUZUKI GEAR OIL 75W"	-	R	-	R	-	R
6-9. Continuously variable transmission (CVT)	Fluid level	-	I	-	I	-	I
*6-10. Transfer oil (4WD)		Inspect every 40000 km (25000 miles) or 24 months.					
		Replace every 160000 km (100000 miles) or 96 months.					
*6-11. Rear differential oil (4WD)		Inspect every 40000 km (25000 miles) or 24 months.					
		Replace every 160000 km (100000 miles) or 96 months.					
6-12. All latches, hinges and locks		-	I	-	I	-	I
*6-13. Air conditioner filter element (if equipped)		-	I	R	-	I	R

NOTE:

4WD: 4-wheel drive

Maintenance recommended under severe driving conditions (for EU countries and Israel)

Follow this schedule if your vehicle is mainly operated under one or more of the following conditions:

- When most trips are less than 6 km (4 miles).
- When most trips are less than 16 km (10 miles) and outside temperature remains below freezing.
- Idling and/or low-speed operation in stop-and-go traffic.
- Operating in extremely cold weather and/or on salted roads.
- Operating in rough and/or muddy areas.
- Operating in dusty areas.
- Repeated high speed drive or high engine revolutions.
- Towing a trailer, if admitted.

Schedule should also be followed if the vehicle is used for delivery service, police, taxi or other commercial applications.

INSPECTION AND MAINTENANCE

Interval: This interval should be judged by odometer reading or months, whichever comes first.	km (x1000)	10	20	30	40	50	60
	miles (x1000)	6.25	12.5	18.75	25	31.25	37.5
	months	6	12	18	24	30	36
ENGINE							
*1-1. Engine accessory drive belt	Tension check, *Replacement	I	I	I	R	I	I
1-2. Engine oil and engine oil filter	ACEA Standards or SUZUKI GENUINE OIL (#1)	R	R	R	R	R	R
	Other than ACEA Standards or SUZUKI GENUINE OIL (#1)	Refer to "Oil change request light" in the "BEFORE DRIVING" section. Replace every 7500 km (4687 miles) or 6 months. Refer to "Oil change request light" in the "BEFORE DRIVING" section.					
1-3. Engine coolant	SUZUKI LLC: Super (Blue) (#2)	First time only: Replace at 160000 km (100000 miles) or 96 months.					
		Second time and after: Replace every 80000 km (50000 miles) or 48 months.					
	SUZUKI LLC: Standard (Green)	Replace every 40000 km (25000 miles) or 36 months.					
*1-4. Exhaust system (except catalyst)		-	-	-	I	-	-
IGNITION							
2-1. Spark plugs	Iridium plug	Replace every 30000 km (18750 miles) or 24 months.					
FUEL							
3-1. Air cleaner filter element* ¹		Inspect every 2500 km (1562 miles). Replace every 30000 km (18750 miles) or 24 months.					
*3-2. Fuel lines		-	-	-	I	-	-
*3-3. Fuel tank		-	-	-	I	-	-
EMISSION CONTROL SYSTEM							
*4-1. PCV valve		Inspect every 80000 km (50000 miles) or 48 months.					
*4-2. Fuel evaporative emission control system		-	-	-	-	-	-

#1: For further details, see "Engine oil and filter" in this section.

#2: Perform the engine coolant level check under the daily inspection in the "OPERATING YOUR VEHICLE" section.

If you use the engine coolant other than "SUZUKI LLC: Super (Blue)" for replacement, follow the schedule of "SUZUKI LLC: Standard (Green)".

INSPECTION AND MAINTENANCE

Interval: This interval should be judged by odometer reading or months, whichever comes first.		km (x1000)	70	80	90	100	110	120
		miles (x1000)	43.75	50	56.25	62.5	68.75	75
		months	42	48	54	60	66	72
ENGINE								
*1-1. Engine accessory drive belt	Tension check, *Replacement		I	R	I	I	I	R
1-2. Engine oil and engine oil filter	ACEA Standards or SUZUKI GENUINE OIL (#1)	R	R	R	R	R	R	R
	Other than ACEA Standards or SUZUKI GENUINE OIL (#1)	Refer to "Oil change request light" in the "BEFORE DRIVING" section. Replace every 7500 km (4687 miles) or 6 months. Refer to "Oil change request light" in the "BEFORE DRIVING" section.						
1-3. Engine coolant	SUZUKI LLC: Super (Blue) (#2)	First time only:	Replace at 160000 km (100000 miles) or 96 months.					
		Second time and after:	Replace every 80000 km (50000 miles) or 48 months.					
	SUZUKI LLC: Standard (Green)	Replace every 40000 km (25000 miles) or 36 months.						
*1-4. Exhaust system (except catalyst)		-	I	-	-	-	-	I
IGNITION								
2-1. Spark plugs	Iridium plug	Replace every 30000 km (18750 miles) or 24 months.						
FUEL								
3-1. Air cleaner filter element* ¹		Inspect every 2500 km (1562 miles). Replace every 30000 km (18750 miles) or 24 months.						
*3-2. Fuel lines		-	I	-	-	-	-	I
*3-3. Fuel tank		-	I	-	-	-	-	I
EMISSION CONTROL SYSTEM								
*4-1. PCV valve		Inspect every 80000 km (50000 miles) or 48 months.						
*4-2. Fuel evaporative emission control system		-	-	-	-	-	-	I

#1: For further details, see "Engine oil and filter" in this section.

#2: Perform the engine coolant level check under the daily inspection in the "OPERATING YOUR VEHICLE" section.

If you use the engine coolant other than "SUZUKI LLC: Super (Blue)" for replacement, follow the schedule of "SUZUKI LLC: Standard (Green)".

INSPECTION AND MAINTENANCE

Interval: This interval should be judged by odometer reading or months, whichever comes first.	km (x1000)						
	miles (x1000)						
	10	20	30	40	50	60	
	months						
	6.25	12.5	18.75	25	31.25	37.5	
	6	12	18	24	30	36	
BRAKE							
*5-1. Brake discs and pads (front)	-		-		-		
Brake drums and shoes (rear)	-	-	-		-	-	
*5-2. Brake hoses and pipes	-	-	-		-	-	
*5-3. Brake pedal	-		-		-		
*5-4. Brake fluid	-		-	R	-		
5-5. Brake lever and cable	Check, *Adjustment (1st 20000 km only)						
	-		-	-	-	-	
CHASSIS AND BODY							
*6-1. Clutch pedal	-		-		-		
6-2. Tyres/Wheels	-		-		-		
*6-3. Wheel bearings	-		-		-		
*6-4. Drive axle boots/Propeller shafts (4WD)	-		-		-		
*6-5. Suspension system	-	-	-		-	-	
*6-6. Steering system	-	-	-		-	-	
*6-7. Manual transmission oil	Genuine "SUZUKI GEAR OIL 75W"						
	Inspect every 20000 km (12500 miles) or 12 months.						
	Replace every 80000 km (50000 miles) or 48 months.						
	-	R	-	R	-	R	
*6-8. Auto Gear Shift oil	Genuine "SUZUKI GEAR OIL 75W"						
	Inspect every 20000 km (12500 miles) or 12 months.						
	Replace every 80000 km (50000 miles) or 48 months.						
	Other than "SUZUKI GEAR OIL 75W"						
	-	R	-	R	-	R	
6-9. Continuously variable transmission (CVT)	Fluid level						
	-		-		-		
	Fluid deterioration check ²						
	-		-		-		
	*Fluid change						
	Replace every 70000 km (43750 miles).						
*6-10. Transfer oil (4WD)	Inspect every 20000 km (12500 miles) or 12 months.						
	Replace every 80000 km (50000 miles) or 48 months.						
*6-11. Rear differential oil (4WD)	Inspect every 20000 km (12500 miles) or 12 months.						
	Replace every 80000 km (50000 miles) or 48 months.						
6-12. All latches, hinges and locks	-	-	-		-	-	
6-13. Air conditioner filter element (if equipped) ³	-		-		-	R	

WARNING

The shock absorbers are filled with high pressure gas. Never attempt to disassemble them or throw them into a fire. Avoid storing them near a heater or heating device. When scrapping the absorber, the gas must be released from the absorber safely. Ask your dealer for assistance.

INSPECTION AND MAINTENANCE

Interval: This interval should be judged by odometer reading or months, whichever comes first.		km (x1000)	70	80	90	100	110	120
		miles (x1000)	43.75	50	56.25	62.5	68.75	75
		months	42	48	54	60	66	72
BRAKE								
*5-1. Brake discs and pads (front)		-		-		-		
Brake drums and shoes (rear)		-		-	-	-	-	
*5-2. Brake hoses and pipes		-		-	-	-	-	
*5-3. Brake pedal		-		-		-	-	
*5-4. Brake fluid		-	R	-		-	-	R
5-5. Brake lever and cable	Check, *Adjustment (1st 20000 km only)	-		-	-	-	-	-
CHASSIS AND BODY								
*6-1. Clutch pedal		-		-		-	-	
6-2. Tyres/Wheels		-		-		-	-	
*6-3. Wheel bearings		-		-		-	-	
*6-4. Drive axle boots/Propeller shafts (4WD)		-		-		-	-	
*6-5. Suspension system		-	-	-		-	-	-
*6-6. Steering system		-	-	-		-	-	-
*6-7. Manual transmission oil	Genuine "SUZUKI GEAR OIL 75W"	Inspect every 20000 km (12500 miles) or 12 months. Replace every 80000 km (50000 miles) or 48 months.						
	Other than "SUZUKI GEAR OIL 75W"	-	R	-	R	-	-	R
*6-8. Auto Gear Shift oil	Genuine "SUZUKI GEAR OIL 75W"	Inspect every 20000 km (12500 miles) or 12 months. Replace every 80000 km (50000 miles) or 48 months.						
	Other than "SUZUKI GEAR OIL 75W"	-	R	-	R	-	-	R
6-9. Continuously variable transmission (CVT)	Fluid level	-		-		-	-	
	Fluid deterioration check ²	-		-		-	-	
	*Fluid change	Replace every 70000 km (43750 miles).						
*6-10. Transfer oil (4WD)		Inspect every 20000 km (12500 miles) or 12 months. Replace every 80000 km (50000 miles) or 48 months.						
*6-11. Rear differential oil (4WD)		Inspect every 20000 km (12500 miles) or 12 months. Replace every 80000 km (50000 miles) or 48 months.						
6-12. All latches, hinges and locks		-	-	-		-	-	-
6-13. Air conditioner filter element (if equipped) ³		-		-		-	-	R

NOTE:

4WD: 4-wheel drive

NOTE:

This table shows the service schedule up to 120000 km (75000 miles).

Beyond 120000 km (75000 miles), perform the same services at the same intervals shown in the chart.

**1 Inspect more frequently if the vehicle is used under dusty conditions.*

**2 Check or replace as necessary if you usually drive with high speed or high engine revolutions.*

**3 Clean more frequently if the air flow from the air conditioner decreases.*

Drive belt

WARNING

When the engine is running, keep hands, hair, clothing, tools, etc. away from the moving fan and drive belts.

Check that the drive belt tension is correct. If the belt is too loose, insufficient battery charging, engine overheating, poor power steering, poor air conditioning, or excessive belt wear can result. When you press the belt with your thumb midway between the pulleys, there should be a deflection according to the following chart.

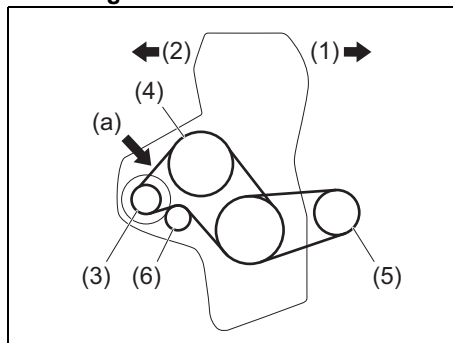
The belts should also be examined to ensure that they are not damaged.

If you need to replace or adjust the belt, have it done by your SUZUKI dealer.

K12C and K12D engine models

The drive belts tension is adjusted automatically.

K12M engine models



75RM359

- (1) Front
- (2) Rear
- (3) Generator
- (4) Water pump
- (5) Air conditioner compressor
- (6) Tensioner pulley

Drive belt deflection

(100 N (10 kg, 22 lbs) press)

(a) New:

3.5 – 4.2 mm (0.14 – 0.16 in.)

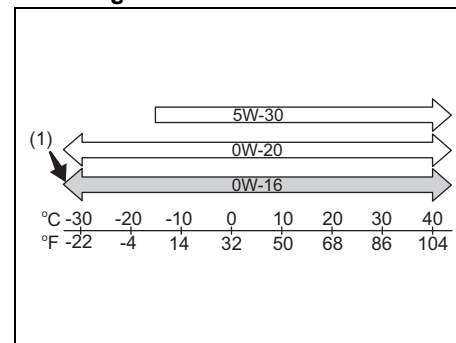
Readjustment:

5.2 – 6.0 mm (0.20 – 0.24 in.)

Engine oil and filter

Specified oil

K12C engine models



52RS004

(1) Preferred

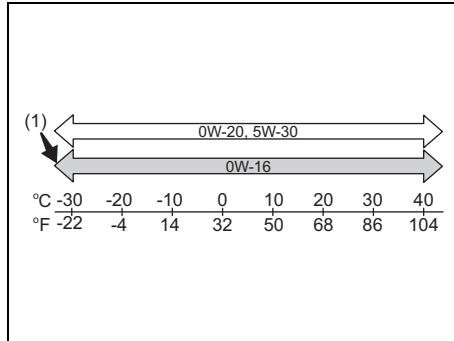
Check that the engine oil you use comes under the quality classification as listed below:

- API SL, SM, SN, SP
- ILSAC GF-3, GF-4, GF-5, GF-6

Select the appropriate oil viscosity according to the above chart.

SAE 0W-16 (1) is the best choice for good fuel economy and good starting in cold weather.

K12D engine models



73SB07040

(1) Preferred

Check that the engine oil you use comes under the quality classification as listed below:

- ACEA* A1/B1, A3/B3, A3/B4, A5/B5
- API SL, SM, SN, SP
- ILSAC GF-3, GF-4, GF-5, GF-6

* For European countries and Israel

Select the appropriate oil viscosity according to the above chart.

SAE 0W-16 (1) is the best choice for good fuel economy and good starting in cold weather.

NOTE:

(For EU countries)

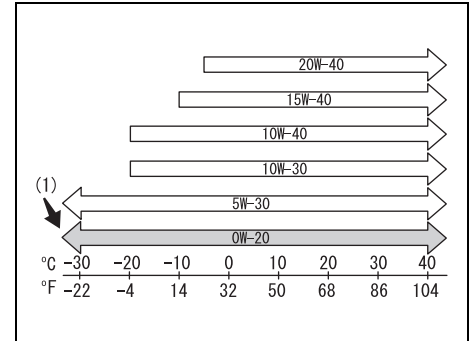
The replacement timing varies with the type of engine oil that you choose.

Refer to "Maintenance schedule" in this section for corresponding maintenance schedule.

NOTE:

We recommend that you use SUZUKI genuine oil. To purchase it, see your SUZUKI dealer.

K12M engine models



71LST0701

(1) Preferred

Check that the engine oil you use comes under the quality classification as listed below:

- API SG, SH, SJ, SL, SM, SN, SP
- ILSAC GF-3, GF-4, GF-5, GF-6

Select the appropriate oil viscosity according to the above chart.

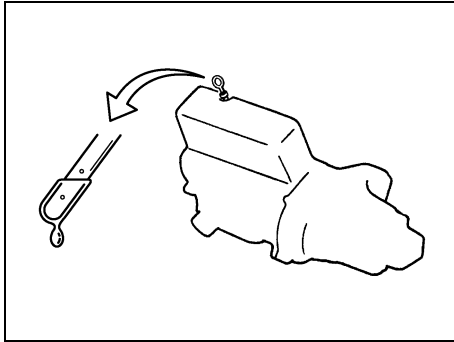
SAE 0W-20 (1) is the best choice for good fuel economy, and good starting in cold weather.

NOTE:

We recommend that you use SUZUKI genuine oil. To purchase it, see your SUZUKI dealer.

INSPECTION AND MAINTENANCE

Oil level check



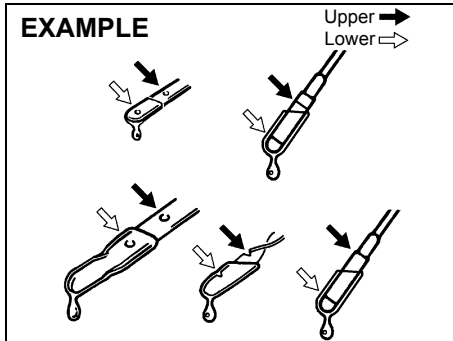
80G064

It is important to keep the engine oil at the correct level for proper lubrication of your vehicle's engine. Check the oil level with the vehicle on a level surface. The oil level indication may be inaccurate if the vehicle is on a slope. The oil level should be checked either before starting the engine or at least 5 minutes after stopping the engine.

The handle of the engine oil dipstick is colored with yellow for easy identification.

Pull out the oil dipstick, wipe oil off with a clean cloth, insert the dipstick all the way into the engine, and then remove it again. The oil on the stick should be between the upper and lower limits shown on the stick. If the oil level indication is near the lower limit, add enough oil to raise the level to the upper limit.

EXAMPLE



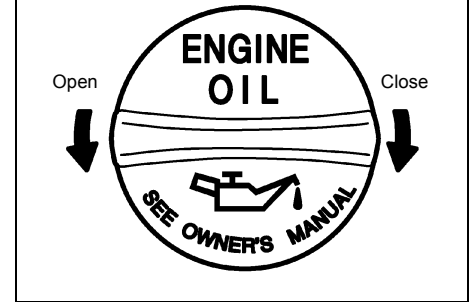
52D084

NOTICE

Failure to check the oil level regularly could lead to serious engine trouble due to insufficient oil.

Refilling

EXAMPLE

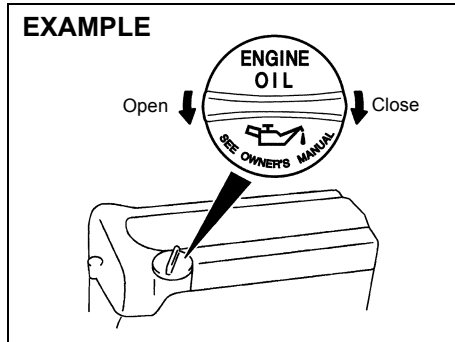


81A147

Remove the oil filler cap and pour oil slowly through the filler hole to bring the oil level to the upper limit on the dipstick. Be careful not to overfill the oil. Too much oil is almost as bad as too little oil. After refilling, start the engine and allow it to idle for about a minute. Stop the engine, wait about 5 minutes and check the oil level again.

Changing engine oil and filter

Drain the engine oil while the engine is still warm.

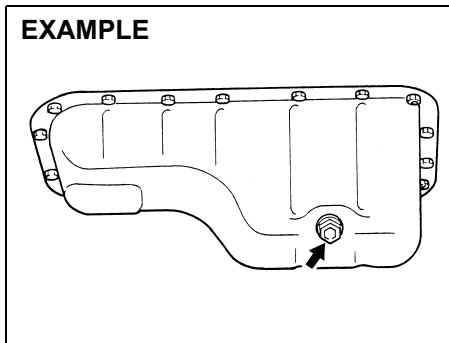


56KN054

- 1) Remove the oil filler cap.
- 2) Place a drain pan under the drain plug.
- 3) Using a wrench, remove the drain plug and drain the engine oil.

CAUTION

The engine oil temperature may be high enough to burn your fingers when the drain plug is loosened. Wait until the drain plug is cool enough to touch with your bare hands.



60G306

**Tightening torque for drain plug:
35 Nm (3.6 kg-m, 25.8 lb-ft)**

WARNING

Engine oil can be hazardous. Children and pets may be harmed by swallowing new or used oil. Keep new and used oil and used oil filters away from children and pets. Repeated, prolonged contact with used engine oil may cause skin cancer. Brief contact with used oil may irritate skin.

(Continued)

WARNING

(Continued)

To minimize your exposure to used oil, wear a long-sleeve shirt and moisture-proof gloves (such as dishwashing gloves) when changing oil. If oil contacts your skin, wash thoroughly with soap and water. Launder any clothing or rags if it is with oil. Recycle or properly dispose of used oil and oil filters.

- 4) Reinstall the drain plug with new gasket. Tighten the plug with a wrench to the specified torque.

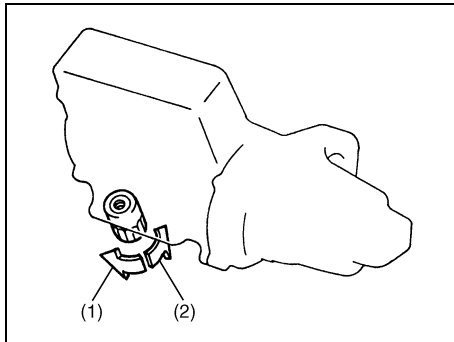
NOTE:

- (For models with oil change request light)
- Whenever the engine oil is changed, the oil life monitoring must be reset to monitor the next oil change timing properly. To reset the light, consult your SUZUKI dealer. If you reset it by yourself, refer to "Setting mode" in "Information display" in the "BEFORE DRIVING" section.
 - For more information of the oil change request light and oil life monitoring, refer to "Oil change request light" in the "BEFORE DRIVING" section.

INSPECTION AND MAINTENANCE

Oil filter replacement

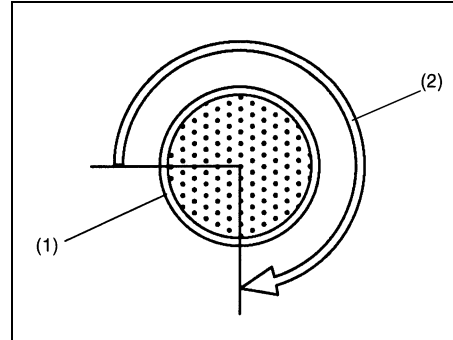
- 1) Using an oil filter wrench, turn the oil filter counterclockwise and remove it.
- 2) Using a clean rag, wipe off the mounting surface on the engine where the new filter will be seated.
- 3) Smear a small amount of engine oil around the rubber gasket of the new oil filter.
- 4) Screw the new filter by hand until the filter gasket contacts the mounting surface.



54G092

- (1) Loosen
- (2) Tighten

Tightening (viewed from filter top)



54G093

- (1) Oil filter
- (2) 3/4 turn

NOTICE

To tighten the oil filter properly, it is important to accurately identify the position at which the filter gasket first contacts the mounting surface.

- 5) Tighten the filter as specified below from the point of contact with the mounting surface (or to the specified torque) using an oil filter wrench.

Tightening torque for oil filter:
3/4 turn or
14 Nm (1.4 kg-m, 10.3 lb-ft)

NOTICE

To prevent oil leakage, check that the oil filter is tight, but do not over-tighten it.

Refill with oil and oil leakage check

- 1) Pour oil through the filler hole and install the filler cap.
For the approximate capacity of the oil, refer to "Capacities" in the "SPECIFICATIONS" section.
- 2) Start the engine and carefully check the oil filter and the drain plug for leakage. Run the engine at various speeds for at least 5 minutes.
- 3) Stop the engine and wait about 5 minutes. Check the oil level again and add oil if necessary. Check for leakage again.

NOTICE

- When replacing the oil filter, it is recommended that you use a genuine SUZUKI replacement filter. If you use an aftermarket filter, check that it is of equivalent quality and follow the manufacturer's instructions.
- Oil leakage from the periphery of the oil filter or drain plug indicate incorrect installation or gasket damage. If you find any leakage or are not sure that the filter has been properly tightened, have the vehicle inspected by your SUZUKI dealer.

Engine coolant

Selection of coolant

NOTICE

SUZUKI LLC: Super (Blue) coolant; This coolant is already diluted to the proper percentage. Do not dilute with distilled water additionally. Doing so may result in the possibility of freezing and/or overheating coolant.

To maintain optimum performance and durability of your engine, use SUZUKI genuine coolant or equivalent.

NOTE:

If you use the engine coolant other than the SUZUKI LLC: Super (Blue) for replacement, follow the schedule of SUZUKI LLC: Standard (Green). To see the detail of the maintenance schedule, refer to "Periodic maintenance schedule" in this section.

This type of coolant is the best for cooling system for the following reasons:

- The coolant helps maintain proper engine temperature.
- It gives proper protection against freezing and boiling.
- It gives proper protection against corrosion and rust.

Failure to use the proper coolant can damage your cooling system. Your authorized SUZUKI dealer can help you select the proper coolant.

NOTICE

To avoid damaging your cooling system:

- Always use a high quality ethylene glycol base non-silicate type coolant diluted with distilled water at the correct mixture concentration.
- Check that the proper mix is 50/50 coolant to distilled water and in no case higher than 70/30. Concentrations greater than 70/30 coolant to distilled water will cause overheating conditions.
- Do not use straight coolant nor plain water (except SUZUKI LLC: Super (Blue)).
- Do not add extra inhibitors or additives. They may not be compatible with your cooling system.
- Do not mix different types of base coolants. Doing so may result in accelerated seal wear and/or the possibility of severe overheating and extensive engine or CVT (if equipped) damage.

INSPECTION AND MAINTENANCE

Coolant level check

Check the coolant level at the reservoir tank, not at the radiator. With the engine cool, the coolant level should be between “FULL” and “LOW” marks.

Adding coolant

WARNING

Swallowing engine coolant can cause severe injury or death. Inhaling coolant mist or vapors or getting coolant in your eyes could result in severe injury.

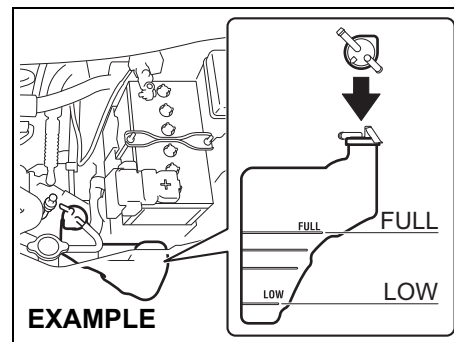
- Do not drink antifreeze or coolant solution. If swallowed, do not induce vomiting. Immediately contact a poison control center or a physician.
- Avoid inhaling coolant mist or hot vapors. If inhaled, remove to a fresh air area.
- If coolant gets in the eyes, flush with water and seek medical attention.
- Wash thoroughly after handling coolant.
- Keep engine coolant out of the reach of children and pets.

NOTICE

SUZUKI LLC: Super (Blue) coolant; This coolant is already diluted to the proper percentage. Do not dilute with distilled water additionally. Doing so may result in the possibility of freezing and/or overheating coolant.

NOTICE

- SUZUKI LLC: Standard (Green) coolant;**
- The mixture you use should contain 50% concentration of antifreeze.
 - If the lowest ambient temperature in your area is expected to be -35°C (-31°F) or below, use higher concentrations up to 60% following the instructions on the antifreeze container.



81PN200

If the coolant level is below “LOW” mark, more coolant should be added. Remove the reservoir tank cap and add coolant until the reservoir tank level reaches “FULL” mark. Never fill the reservoir tank above “FULL” mark.

NOTICE

When putting the cap on the reservoir tank, line up the mark on the cap and the mark on the tank. Failure to follow this can result in coolant leakage.

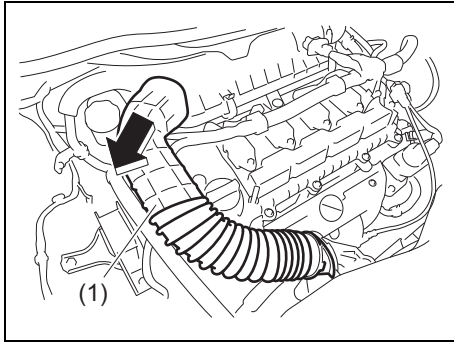
Coolant replacement

Since special procedures are required, ask your authorized SUZUKI dealer for this job.

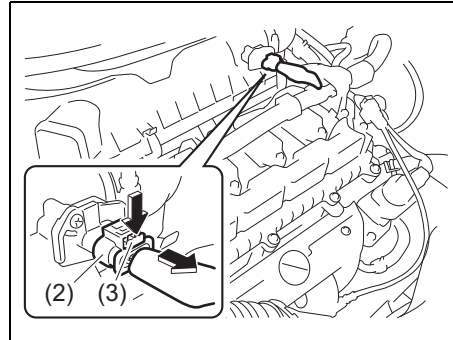
Air cleaner

If the air cleaner is clogged with dust, there will be greater intake resistance, resulting in decreased power output and increased fuel consumption.

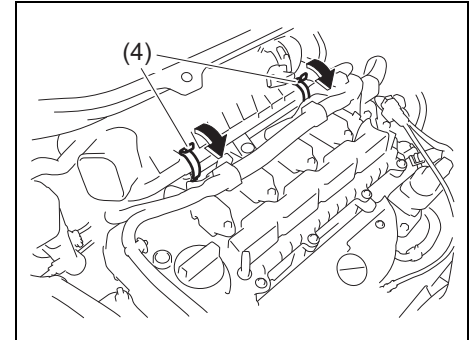
(For K12C engine model)



1) Remove the duct (1).



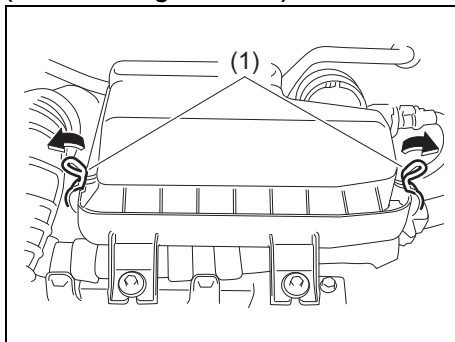
2) To disconnect the coupler (2), pull the release lever (3) toward you and then push the lever down.



3) Unclamp the side clamps (4), then pull the air cleaner case toward you. Remove the element from the air cleaner case. If it appears to be dirty, replace it with a new one.
4) Reinstall the air cleaner case securely.

INSPECTION AND MAINTENANCE

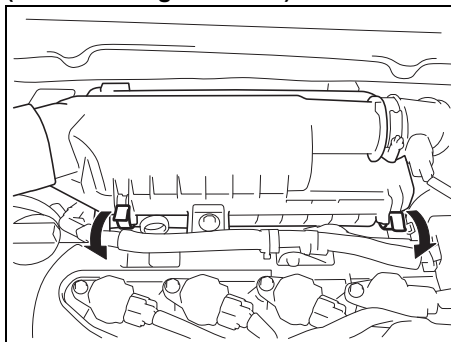
(For K12D engine model)



73SB010

- 1) Unclamp the side clamps (1), then pull the air cleaner case toward you. Remove the element from the air cleaner case. If it appears to be dirty, replace it with a new one.
- 2) Reinstall the air cleaner case securely.

(For K12M engine model)



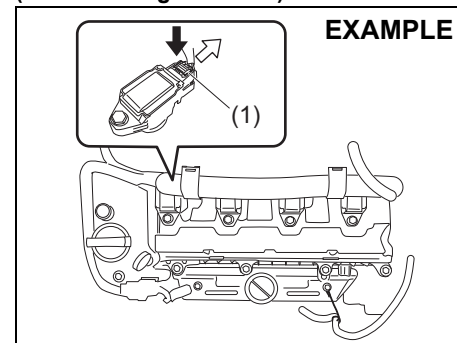
75RM064

- 1) Unclamp the side clamps and remove the element from the air cleaner case. If it appears to be dirty, replace it with a new one.
- 2) Clamp the side clamps securely.

Spark plugs

Spark plug replacement and inspection

(For K12C engine model)



81PN235

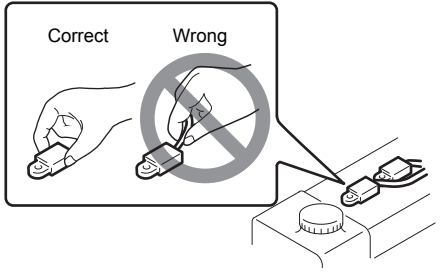
To access the spark plug:

- 1) Open the engine hood.
- 2) If necessary, disconnect the coupler (1) while pushing the release lever.
- 3) Remove the bolts.
- 4) Pull out the ignition coils straight.

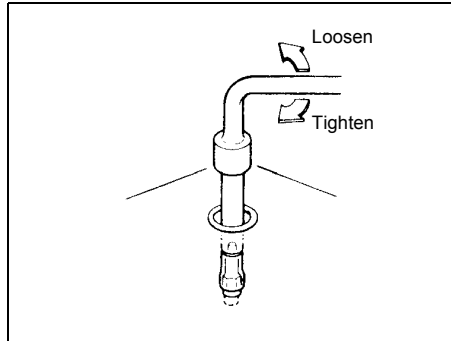
NOTE:

During installation, check that the wires, couplers, sealing rubber of air cleaner chassis and washers, are correctly returned in place.

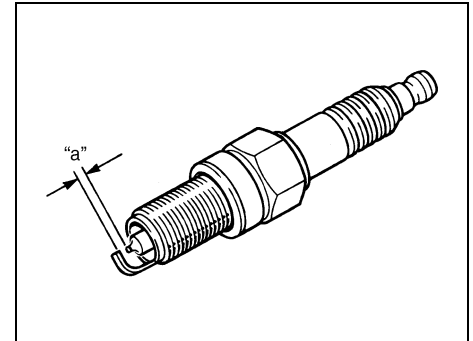
EXAMPLE



78K179



60G160



54G106

NOTICE

- When pulling out the ignition coils, do not pull on the cable. Pulling on the cable can damage it.
- When servicing the iridium/platinum spark plugs (slender center electrode type plugs), do not touch the center electrode, as it is easy to be damaged.

NOTICE

- When installing the spark plugs, screw them in with your fingers to avoid stripping the threads. Tighten the spark plugs with a torque wrench to 18 Nm (1.8 kg-m, 13.3 lb-ft). Do not allow contaminants to enter the engine through the spark plug holes when the plugs are removed.
- Never use spark plugs with the wrong thread size.

Spark plug gap "a"
 ILZKR6F11:
 1.0 – 1.1 mm (0.039 – 0.043 in.)

NOTICE

When replacing spark plugs, you should use the brand and type specified for your vehicle. For the specified plugs, refer to "SPECIFICATIONS" section in the end of this book. If you wish to use a brand of spark plug other than the specified plugs, consult your SUZUKI dealer.

(For K12D and K12M engine model)
 Since special procedures, materials and tools are required, it is recommended that you trust this job to your authorized SUZUKI dealer.

Continuously variable transmission (CVT) fluid

Specified fluid

Use a CVT fluid SUZUKI CVT FLUID GREEN-2.

Fluid level check

NOTICE

Driving with too much or too little fluid can damage the transmission.

You must check the fluid level with the CVT fluid at normal operating temperature.

To check the fluid level:

- 1) To warm up the CVT fluid, drive the vehicle for more 5 km.

NOTICE

Be sure to use the specified CVT fluid. Using CVT fluid other than SUZUKI CVT FLUID GREEN-2 may damage the CVT of your vehicle.

NOTE:

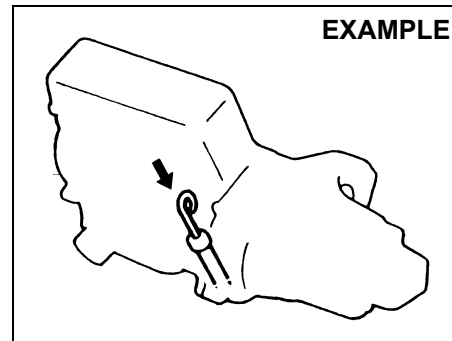
Do not check the fluid level if you have just driven the vehicle for a long time at high speed, or if you have driven in city traffic in hot weather, or if the vehicle has been pulling a trailer. Wait until the fluid cools down (about 30 minutes), or the fluid level indication will not be correct.

- 2) Park your vehicle on level ground.
- 3) Apply the parking brake and then start the engine in "P" (Park). Let it idle for two minutes and keep it running during the fluid level check.
- 4) With your foot on the brake pedal, move the gearshift lever through each gear, pausing for about three seconds in each range. Then move it back to the "P" (Park) position.

⚠ WARNING

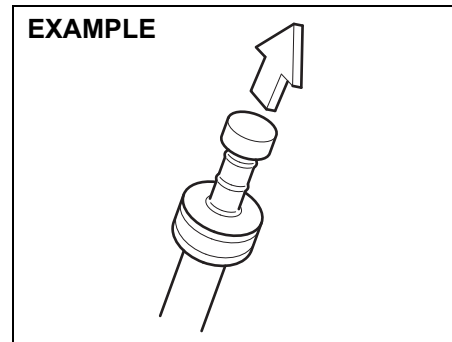
Be sure to depress the brake pedal when moving the gearshift lever, or the vehicle can move suddenly.

EXAMPLE



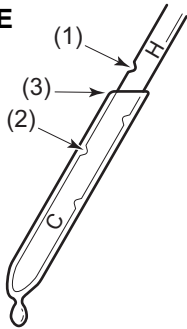
75F086

EXAMPLE



81PN159

EXAMPLE



75RM370

- (1) FULL
- (2) LOW
- (3) The lowest point = Fluid level

- 5) The handle of the CVT fluid dipstick is colored orange for easy identification. Remove the dipstick, clean it and push it back in until the cap seats. Then pull out the dipstick.
- 6) Check both sides of the dipstick, and read the lowest level. The fluid level should be between the two marks on the dipstick.

NOTICE

After checking or adding oil, be sure to insert the dipstick securely.

Deterioration checking or changing oil

Since special procedures, materials and tools are required to check the deterioration of CVT oil or change, it is recommended that you trust this job to your authorized SUZUKI dealer.

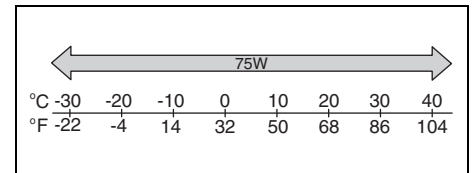
Gear oil

Manual transmission oil / transfer oil (4WD) / rear differential oil (4WD)

When adding gear oil, use gear oil with the appropriate viscosity and grade as shown in the chart below.

We highly recommend you use “SUZUKI GEAR OIL 75W” for manual transmission.

Manual transmission oil

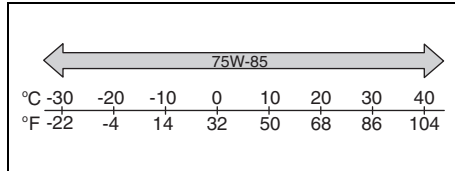


54P120706

INSPECTION AND MAINTENANCE

We highly recommend you use “SUZUKI GEAR OIL 75W-85” for transfer oil (4WD) and rear differential oil (4WD).

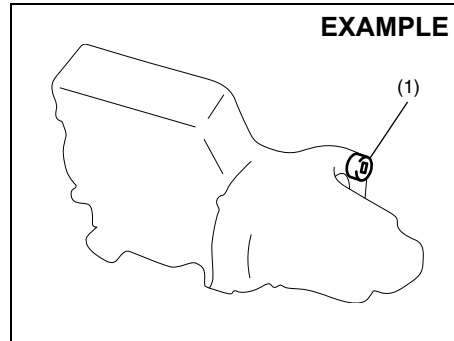
Transfer oil (4WD)
Rear differential oil (4WD)



71LMT0701

Gear oil level check

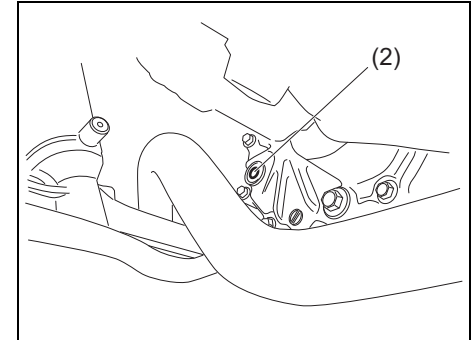
Manual transmission



68KH073

(1) Oil filler and level plug

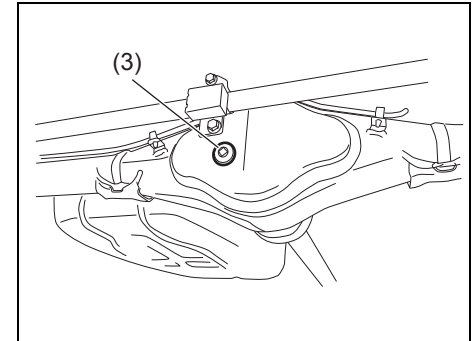
Transfer (4WD)



75RM096

(2) Oil filler and level plug

Rear differential (4WD)



75RM097

(3) Oil filler and level plug

To check the gear oil level, use the following procedure:

- 1) Park the vehicle on a level surface with the parking brake applied. Then, stop the engine.
- 2) Remove the oil filler and level plug.

For the manual transmission;

- 3) If gear oil flows from the plug hole, the oil level is correct. Reinstall the plug. If gear oil does not flow from the plug hole, add oil through the filler plug hole until oil flows a little from the plug hole.

For the transfer and rear differential;


- 3) Check the inside of the hole with your finger. If the oil level comes up to the bottom of the plug hole, the oil level is correct. If so, reinstall the plug.
- 4) If the oil level is low, add gear oil through the oil filler and level plug hole until the oil level reaches the bottom of the filler hole, and then reinstall the plug.

Tightening torque for oil filler and level plug

Manual transmission (1):
23 Nm (2.3 kg-m, 17.0 lb-ft)

Transfer (2):
27 Nm (2.7 kg-m, 19.5 lb-ft)

Rear differential (3):
50 Nm (5.0 kg-m, 36.9 lb-ft)

 CAUTION
<p>After driving the vehicle, the gear oil temperature may be high enough to burn you. Wait until the oil filler and level plug are cool enough to touch with your bare hands before inspecting gear oil level.</p>

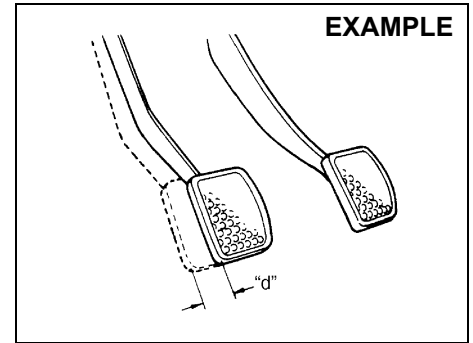
NOTICE
<p>When tightening the plug, apply the following sealing compound or equivalent to the plug threads to prevent oil leakage. SUZUKI Bond No. "1217G"</p>

Gear oil change

Since special procedures, materials and tools are required, ask your authorized SUZUKI dealer for this job.

Clutch

Clutch pedal



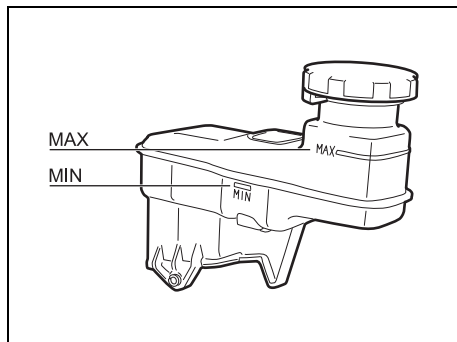
54G274

Clutch pedal play "d":
10 – 15 mm (0.4 – 0.6 in.)

Measure the clutch pedal play by moving the clutch pedal with your hand and measuring the distance it moves until you feel slight resistance. The play in the clutch pedal should be between the specified values. If the play is more or less than the above, or clutch dragging is felt with the pedal fully depressed, have the clutch inspected by your SUZUKI dealer.

Brakes

Brake fluid



75RM095

Check the brake fluid level by looking at the reservoir in the engine compartment. Check that the fluid level is between "MAX" and "MIN" lines.

⚠ WARNING

- Failure to follow the guidelines below can result in personal injury or serious trouble in the brake system.
 - If the brake fluid in the reservoir drops below a certain level, the brake warning light on the instrument cluster will come on (the engine must be running with the parking brake fully disengaged). Should the light come on, immediately ask your SUZUKI dealer or qualified workshop to inspect the brake system.
 - A rapid fluid loss indicates leakage in the brake system. In this case, immediately ask a SUZUKI dealer or a qualified workshop to inspect the brake system..
 - Do not use any fluid other than SAE J1703 or DOT3 brake fluid. Do not use reclaimed fluid or fluid that has been stored in old or open containers. It is essential that foreign particles and other liquids are kept out of the brake fluid reservoir.

(Continued)

⚠ WARNING

(Continued)

- Brake fluid is harmful or fatal if swallowed, and harmful if it comes in contact with skin or eyes. If swallowed, do not induce vomiting. Immediately contact a poison control center or a physician. If brake fluid gets in eyes, flush eyes with water and seek medical attention. Wash thoroughly after handling. Solution can be poisonous to animals. Keep out of reach of children and animals.

NOTICE

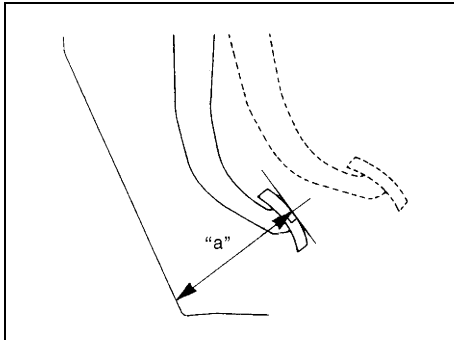
- If your brake fluid level is near the "MIN" line, there is a possibility of brake pad and/or shoe wear and brake fluid leakage. In this case, ask a SUZUKI dealer or a qualified workshop to inspect the brake system.
- Brake fluid can damage painted surfaces. Be careful when refilling the reservoir.

NOTE:

- The fluid level can be expected to gradually fall as the brake pad and/or shoe wear.
- Brake fluid absorbs water over time and brake fluid with high water content may cause vapor lock or brake system malfunction.
Replace the brake fluid according to the maintenance schedule in this owner's manual.

Brake pedal

Check brake pedal stroke. If the stroke is so large, have the brake system inspected by your SUZUKI dealer. If you doubt the brake pedal is at its normal height, check it as follows:



54G108

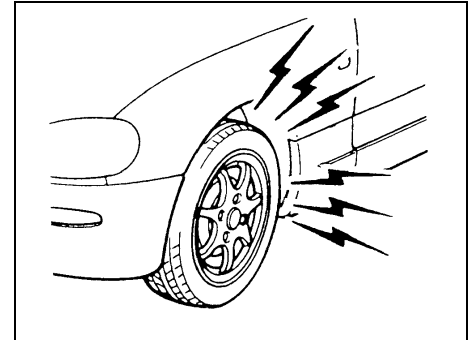
Minimum distance between brake pedal and floor carpet "a": 73 mm (2.9 in.)

With the engine running, measure the distance between the brake pedal and floor carpet when the pedal is depressed with approximately 30 kg (66 lbs) of force. The minimum distance required is as specified. Since your vehicle's brake system is self-adjusting, there is no need for pedal adjustment.

If the pedal to floor carpet distance as measured above is less than the minimum distance required, have your vehicle inspected by your SUZUKI dealer.

NOTE:

When measuring the distance between the brake pedal and floor wall, be sure not to include the floor mat or rubber on the floor wall in your measurement.



60G104S

⚠ WARNING

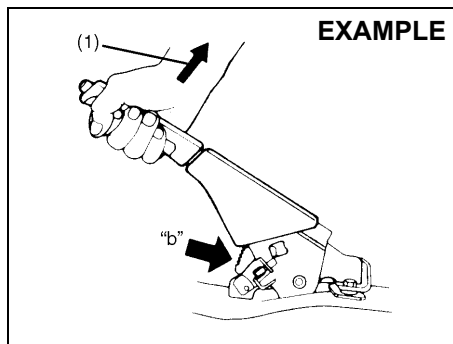
If the brake pad lining becomes worn and it has reached its minimum thickness, squealing noise sounds during braking. If you hear this noise, have the vehicle inspected immediately by an authorized SUZUKI dealer. Continued driving with this condition can cause an accident.

⚠ CAUTION

If you experience any of the following problems with your vehicle's brake system, have the vehicle inspected immediately by an authorized SUZUKI dealer.

- Poor braking performance
- Uneven braking (brakes not working uniformly on all wheels)
- Excessive pedal travel
- Brake dragging

Parking brake



54G109

Ratchet tooth specification "b":
4th – 9th
Lever pull force (1):
200 N (20 kg, 45 lbs)

Check the parking brake for proper adjustment by counting the number of clicks made by the ratchet teeth as you slowly pull up on the parking brake lever to the point of full engagement. The parking brake lever should stop between the specified ratchet teeth and the rear wheels should be securely locked. If the parking brake is not properly adjusted or the brakes drag after the lever has been fully released, have the parking brake inspected and/or adjusted by your SUZUKI dealer.

Brake discs and brake drums

Brake disc (For EU countries)

Brake location	Minimum thickness
Front wheels	18.0 mm (0.71 in.)

(Except for EU countries)

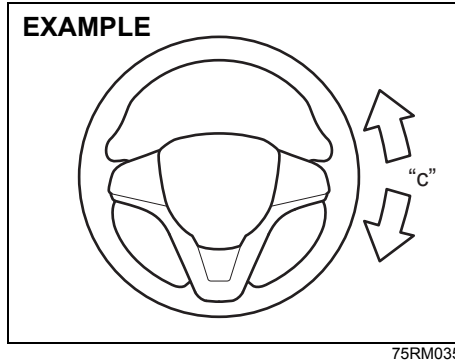
Brake location	Minimum thickness
Front wheels	15.0 mm (0.59 in.)

Brake drum

Brake location	Maximum inner diameter
Rear wheels	181 mm (7.13 in.)

If the measured thickness or inner diameter of the most worn part exceeds the value indicated above, the parts should be replaced with a new one. The measurement involves disassembling each brake and requires the use of a micrometer or caliper, which must be done according to the instructions described in the relevant service manual or available from the relevant repair information site.

Steering



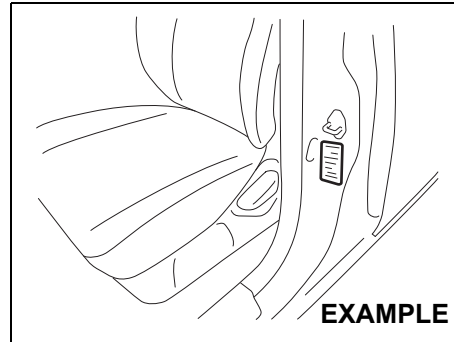
75RM035

Steering wheel play "c": 0 – 30 mm (0.0 – 1.2 in.)

Check the play of the steering wheel by gently turning it from left to right and measuring the distance that it moves before you feel slight resistance. The play should be between the specified values.

Check that the steering wheel turns easily and smoothly without rattling by turning it all the way to the right and to the left while driving very slowly in an open area. If the amount of free play is not as specified or you find anything else to be wrong, an inspection must be performed by your SUZUKI dealer.

Tyres



80JS025

The front and rear tyre pressure specifications are listed on the tyre information label. Both front and rear tyres should have the specified tyre pressure. Note that the value does not apply to the compact spare tyre, if equipped.

NOTE:

The tyre pressure will change due to changes in atmospheric pressure, temperature or tyre temperature when driving. To reduce the chance that the low tyre pressure warning light (if equipped) will come on due to normal changes in temperature and atmospheric pressure, it is important to check and adjust the tyre pressures when the tyres are cold. If you check tyres after driving, they are warm.

Even if the tyre pressure seems to be good in this condition, it could fall below the specified pressure when tyres cool down. Also, tyres that are inflated to the specified pressure in a warm garage may have pressure below the specification when the vehicle is driven outside in very cold temperature. If you adjust the tyre pressure in a garage that is warmer than the outside temperature, you should add 1 kPa to the recommended cold tyre pressure for every 0.8°C difference between garage temperature and outside temperature.

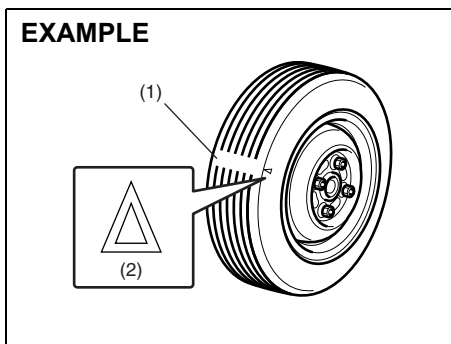
Tyre inspection

Inspect your vehicle's tyres at least once a month by performing the following checks:

- 1) Measure the air pressure with a tyre gauge. Adjust the pressure if necessary. Remember to check the spare tyre, too.

WARNING

- Air pressures should be checked when the tyres are cold or you may get inaccurate readings.
- Check the inflation pressure from time to time while inflating the tyre gradually, until the specified pressure is obtained.
- Never under-inflate or over-inflate the tyres.
Under-inflation can cause unusual handling characteristics or can cause the rim to slip on the tyre bead, resulting in an accident or damage to the tyre or rim.
Over-inflation can cause the tyre to burst, resulting in personal injury.
Over-inflation can also cause unusual handling characteristics which may result in an accident.



52KM110

- (1) Tread wear indicator
 - (2) Indicator location mark
- 2) Check that the depth of the tread groove is more than 1.6 mm (0.06 in.). To help you check this, the tyres have molded-in tread wear indicators in the grooves. When the indicators appear on the tread surface, the remaining depth of the tread is 1.6 mm (0.06 in.) or less and the tyre should be replaced.
 - 3) Check for abnormal wear, cracks and damage. Any tyres with cracks or other damage should be replaced. If any tyres show abnormal wear, have them inspected by your SUZUKI dealer.

CAUTION

Hitting curbs and running over rocks can damage tyres and affect wheel alignment. Have tyres and wheel alignment checked periodically by your SUZUKI dealer.

- 4) Check for loose wheel nuts.
- 5) Check that there are no nails, stones or other objects sticking into the tyres.

WARNING

- Your SUZUKI vehicle is equipped with tyres which are all the same type and size. This is important to ensure proper steering and handling of the vehicle. Never mix tyres of different size or type on the four wheels of your vehicle. The size and type of tyres used should be only those approved by SUZUKI as standard or optional equipment for your vehicle.
- Replacing the wheels and tyres equipped on your vehicle with certain combinations of aftermarket wheels and tyres can significantly change the steering and handling characteristics of your vehicle.
- Therefore, use only those wheel and tyre combinations approved by SUZUKI as standard or optional equipment for your vehicle.

NOTICE

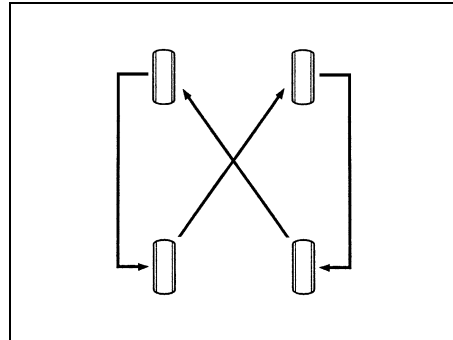
Replacing the original tyres with tyres of a different size may result in false speedometer or odometer readings. Check with your SUZUKI dealer before purchasing replacement tyres that differ in size from the original tyres.

NOTICE

For 4WD models, replacing a tyre with one of a different size, or using different brands among the four tyres can result in damage to the drive train.

Tyre rotation

4-tyre rotation



54G114

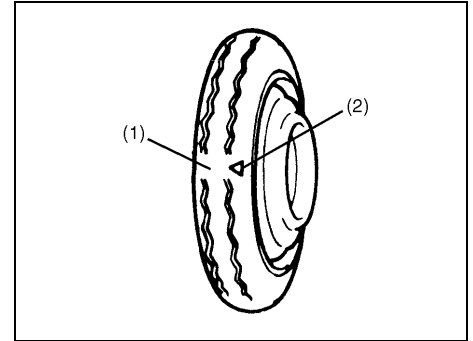
To avoid uneven wear of your tyres and to prolong their life, rotate the tyres as illustrated. Tyres should be rotated every 10000 km (6000 miles). After rotation, adjust front and rear tyre pressures to the specification listed on your vehicle's tyre information label.

NOTE:

For Mexico:

For additional instruction, refer to the "SUPPLEMENT" section at the end of this book.

Compact spare tyre (if equipped)



54G115

- (1) Wear indicator
- (2) Indicator location mark

Your vehicle comes equipped with a compact spare tyre. It is designed to save space in your storage area, and its lighter weight facilitates installing the spare tyre when getting a flat tyre. It is only intended for temporary emergency use, until the conventional tyre can be repaired or replaced. The inflation pressure of the compact spare tyre should be checked at least once a month. Use a quality pocket-type inflation pressure gauge and set at 420 kPa (60 psi). At the same time, check that the tyre is stored securely. If it is not, tighten it.

INSPECTION AND MAINTENANCE

Note that two or more compact spare tyres should not be used on one vehicle simultaneously.

WARNING

The compact spare tyre and wheel are intended for temporary emergency use only. Continuous use of this spare can result in tyre failure and loss of control. Always observe these precautions when using this spare:

- Your vehicle should be handled in a different way when using this spare.
- Do not exceed 80 km/h (50 mph).
- Replace this spare with a standard tyre and wheel as soon as possible.
- Use of this spare will reduce ground clearance.
- Recommended air pressure for this spare is 420 kPa (60 psi).
- Do not use snow chains on the compact spare. If you must use snow chains, rearrange the wheels so standard tyres and wheels are fitted to the front axle.
- The compact spare tyre has a much shorter tread life than the conventional tyres on your vehicle. Replace the tyre as soon as the tread wear indicator appears.

(Continued)

WARNING

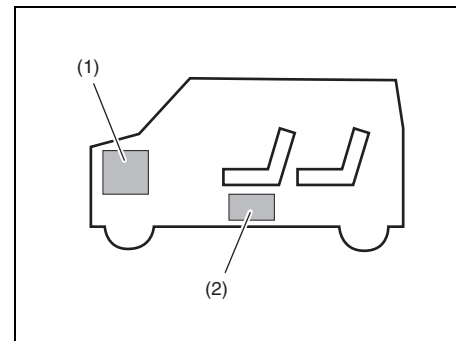
(Continued)

- When replacing the compact spare tyre, use a replacement tyre with the exact same size and construction.

Battery

This vehicle is equipped with the following batteries.

- Lead-acid Battery (all models)
This is used to supply power to the vehicle.
- Lithium-ion Battery (only models equipped with ENG A-STOP system)
This is used to supply electrical power to the vehicle's electrical components.



54MN274

- (1) Lead-acid battery
- (2) Lithium-ion battery

Carefully read the instructions in the following sections, "Lead-acid battery" and "Lithium-ion battery", for the correct handling of each battery.

- The lead-acid battery and lithium-ion battery discharge gradually. In order to avoid a flat battery, drive the vehicle once a month for at least 30 minutes to recharge the battery.

Lead-acid battery

WARNING

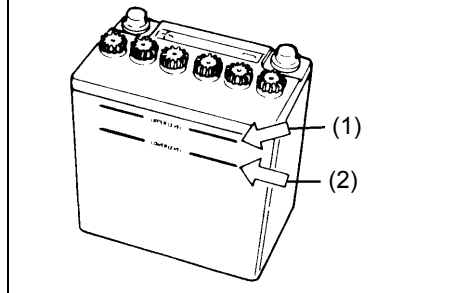
- **Batteries produce flammable hydrogen gas. Keep flames and sparks away from the battery or an explosion may occur. Never smoke when working in the vicinity of the battery.**
- **When checking or servicing the battery, disconnect the negative cable. Be careful not to cause a short circuit by allowing metal objects to contact the battery posts and the vehicle at the same time.**
- **To avoid harm to yourself or damage to your vehicle or battery, follow the jump-starting instructions in the "EMERGENCY SERVICE" section if it is necessary to jump start your vehicle.**
- **Diluted sulfuric acid spilled from battery can cause blindness or severe burns. Use proper eye protection and gloves. Flush eyes or body with ample water and get medical care immediately if suffered. Keep batteries out of the reach of children.**

NOTICE

If your vehicle is equipped with the ENG A-STOP system, it uses a lead-acid battery specifically for the high-efficiency ENG A-STOP system, observe the following precautions. Failure to observe these precautions may result in a malfunction of the system or a shortened battery life.

- **When replacing the battery, only use the specified type. (Do not use any other type of battery.)**
- **Do not power electrical accessories from the battery terminals.**

EXAMPLE



76MS006

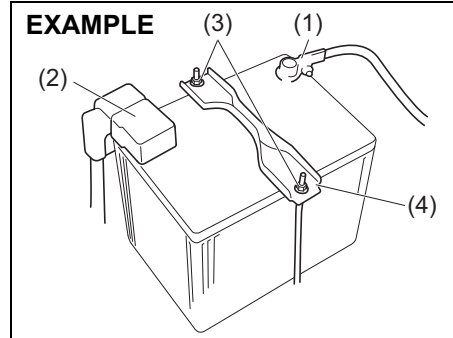
For maintenance-free battery (cap-less type), you need not add water. For traditional type battery, which has water filler caps, the level of the battery solution must be kept between the upper level line (1) and lower level line (2) at all times. If the level is found to be below the lower level line (2), add distilled water to the upper level line (1). You should periodically check the battery, battery terminals, and battery hold-down bracket for corrosion. Remove corrosion using a stiff brush and ammonia mixed with water, or baking soda mixed with water. After removing corrosion, rinse with clean water.

If your vehicle is not going to be driven for a month or longer, disconnect the cable from the negative terminal of the battery to help prevent discharge.

Replacement of the battery

(For vehicles without ENG A-STOP system)

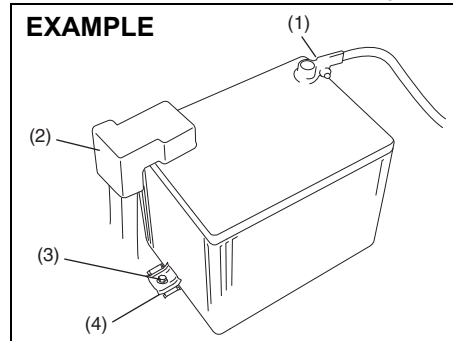
EXAMPLE



68PM00711

(For vehicles with ENG A-STOP system)

EXAMPLE



51KM040

To remove the battery:

- 1) Disconnect the negative cable (1).
- 2) Disconnect the positive cable (2).

For vehicles without ENG A-STOP system;

- 3) Remove the retainer nuts (3) and remove the retainer (4).

For vehicles with ENG A-STOP system;

- 3) Remove the bracket bolt (3) and remove the bracket.
- 4) Remove the battery.

To install the battery:

- 1) Install the battery in the reverse order of removal.
- 2) Tighten the bracket bolt and battery cables securely.

NOTE:

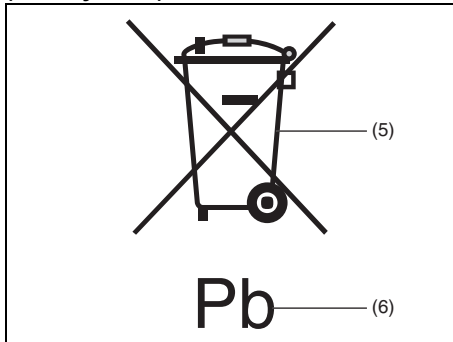
When the battery is disconnected, some of the vehicle's function will be initialized and/or deactivated.

These function are required to reset after the battery is reconnected.

▲ WARNING

Batteries contain toxic substances including sulfuric acid and lead. They could have potential negative consequences for the environment and human health. Used battery must be disposed or recycled according to the local law and must not be discarded with ordinary household waste. Make sure not to tip over the battery when you remove it from the vehicle. Otherwise, sulfuric acid could run out and you might get injury.

(Battery label)



51KM042

- (5) Crossed-out wheeled bin symbol
 (6) Chemical symbol of "Pb"

The crossed-out wheeled bin symbol (5) located on the battery label indicates that used battery should be collected separately from ordinary household trash. The chemical symbol of "Pb" (6) indicates the battery contains more than 0.004% lead.

By ensuring the used battery is disposed or recycled correctly, you will help prevent potential negative consequences for the environment and human health, which could otherwise be caused by inappropriate trash handling of the battery. The recycling of materials will help to conserve natural resources. For more detailed information about disposing or recycling of the used battery, consult your SUZUKI dealer.

Lithium-ion battery (if equipped)

This battery is installed only in models equipped with the ENG A-STOP system and is located under the front passenger's seat (right hand drive vehicle) or the front driver's seat (left hand drive vehicle).

- The lithium-ion battery is maintenance-free. However, in order to avoid a flat battery, drive the vehicle once a month for at least 30 minutes to recharge the battery.
- When replacing or disposing of the lithium-ion battery, consult your authorized SUZUKI dealer.

▲ WARNING

Since mishandling the lithium-ion battery may cause a fire or electric shock or damage to the battery, observe the following precautions.

- Do not remove or disassemble it.
- Do not allow it to get wet, for example, with water.
- Do not expose it to a strong impact.
- Do not lean or place any object on it.
- Do not disconnect the cable at the battery or connect electrical accessories to the terminals.

INSPECTION AND MAINTENANCE

Fuses

Your vehicle has three types of fuses, as described below:

Main fuse

The main fuse takes current directly from the lead-acid battery.

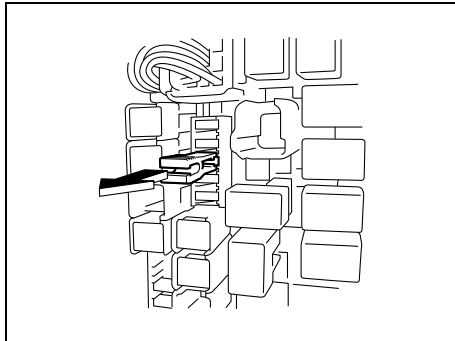
Primary fuses

These fuses are between the main fuse and individual fuses, and are for electrical load groups.

Individual fuses

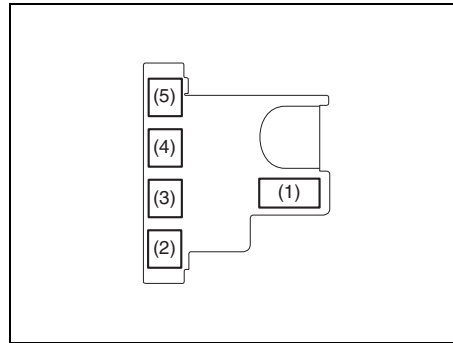
These fuses are for individual electrical circuits.

To remove a fuse, use the fuse puller provided in the fuse box.

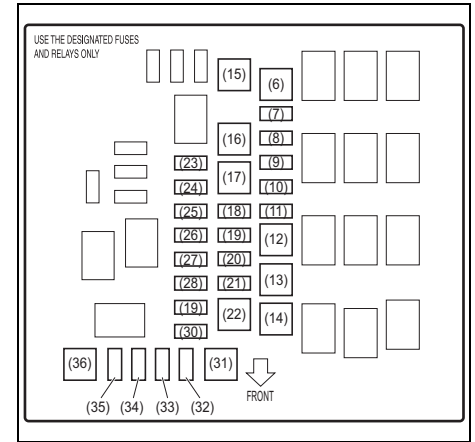


63J095

Fuses in engine compartment (for K12C and K12M engine model)



73SB011



73SB012

MAIN FUSE / PRIMARY FUSE

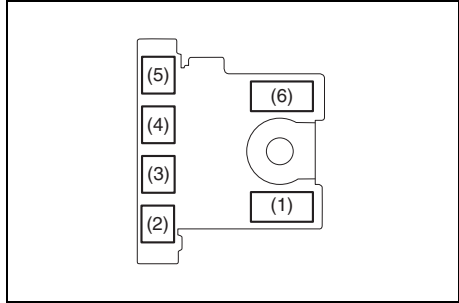
(1)	120 A	FL1
(2)	100 A	FL2
(3)	80 A	FL3
(4)	100 A	FL4
(5)	50 A	FL5
(6)	40 A	Power steering
(7)	–	Blank
(8)	10 A	A/C compressor
(9)	25 A	Headlight high ^{*1}

(10)	15 A	Headlight (Left)
(11)	15 A	Headlight (Right)
(12)	30 A	Starter motor
(13)	30 A	Radiator fan
(14)	30 A	Starter motor 2*4
(15)	40 A	Ignition switch 2
(16)	–	Blank
(17)	–	Blank
(18)	30 A	Back-up
(19)	–	Blank
(20)	15 A	Front fog light*3
(21)	–	Blank
(22)	30 A	Blower fan
(23)	–	Blank
(24)	5 A	Starting signal
(25)	–	Blank
(26)	15 A	Headlight high (Left)*1
(27)	15 A	Headlight high (Right)*1
(28)	15 A	T/M*2
(29)	15 A	T/M pump 2*4
(30)	15 A	FI
(31)	40 A	ABS motor
(32)	25 A	ABS solenoid

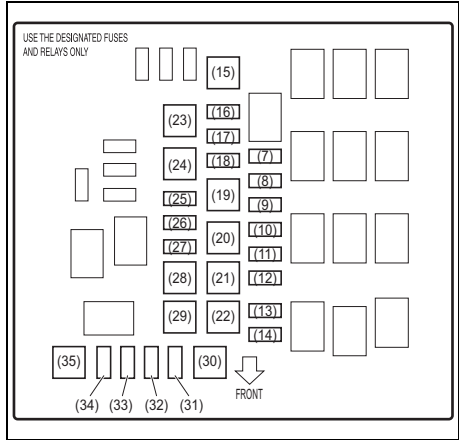
(33)	–	Blank
(34)	–	Blank
(35)	–	Blank
(36)	40 A	Ignition switch

*1: Models with Auto-on headlight system
 *2: CVT models
 *3: Models with front fog light
 *4: CVT models with ENG A-STOP

Fuses in engine compartment (for K12D engine models)



73SB013



73SB014

INSPECTION AND MAINTENANCE

MAIN FUSE / PRIMARY FUSE		
(1)	120 A	FL1
(2)	100 A	FL2
(3)	80 A	FL3
(4)	100 A	FL4
(5)	50 A	FL5
(6)	150 A	FL6
(7)	15 A	Headlight high (Left) ^{*2}
(8)	15 A	Headlight high (Right) ^{*2}
(9)	15 A	FI
(10)	20 A	VVT
(11)	–	Blank
(12)	5 A	Starting signal
(13)	15 A	T/M pump 2 ^{*1}
(14)	15 A	T/M ^{*1}
(15)	40 A	Ignition switch
(16)	–	Blank
(17)	–	Blank
(18)	25 A	ABS solenoid
(19)	40 A	ABS motor
(20)	–	Blank
(21)	–	Blank

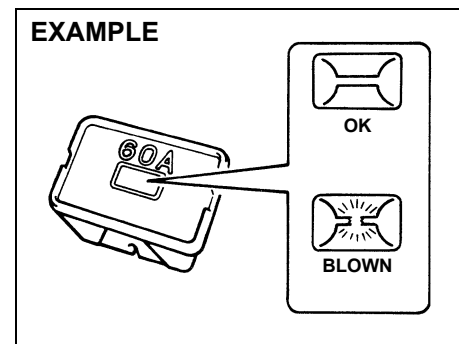
(22)	30 A	Radiator fan
(23)	30 A	Starter motor
(24)	40 A	Ignition switch 2
(25)	15 A	Front fog light ^{*3}
(26)	30 A	Back-up
(27)	–	Blank
(28)	30 A	Starter motor 2 ^{*1}
(29)	40 A	Power steering
(30)	30 A	Blower fan
(31)	15 A	Headlight (Right)
(32)	15 A	Headlight (Left)
(33)	25 A	Headlight high ^{*2}
(34)	10 A	A/C compressor
(35)	–	Blank

*1: CVT models

*2: Models with Auto-on headlight system

*3: Models with front fog light

The main fuse, primary fuses and some of the individual fuses are located in the engine compartment. If the main fuse blows, no electrical component will function. If a primary fuse blows, no electrical component in the corresponding load group will function. When replacing the main fuse, a primary fuse or an individual fuse, use a genuine SUZUKI replacement. To remove a fuse, use the fuse puller provided in the fuse box. The amperage of each fuse is shown in the back of the fuse box cover.



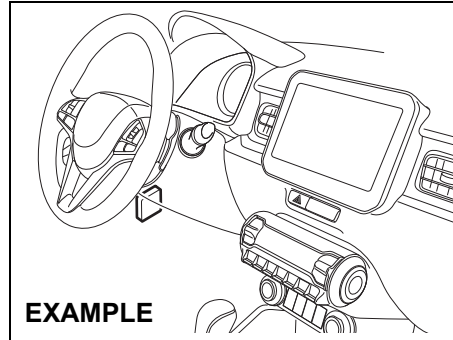
60G111

⚠ WARNING

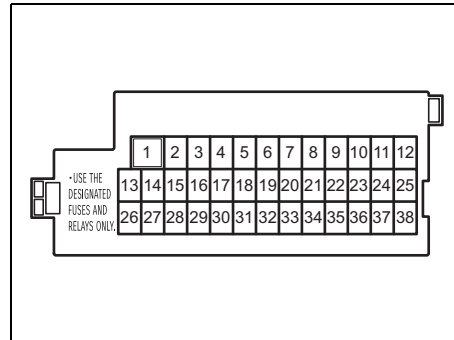
If the main fuse or a primary fuse blows, have your vehicle inspected by a SUZUKI dealer. Always use a genuine SUZUKI replacement. Never use a substitute such as a wire even for a temporary repair, or extensive electrical damage and a fire can result.

NOTE:
Check that the fuse box always carries spare fuses.

Fuses under dashboard



75RM299



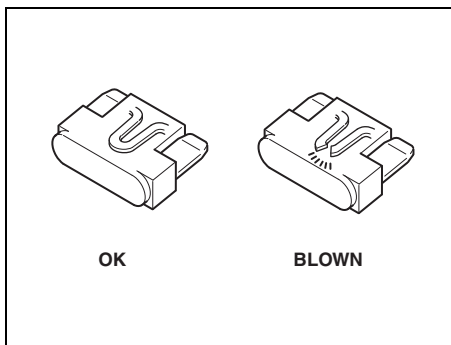
80P0185

PRIMARY FUSE

(1)	30 A	Power window
(2)	10 A	Meter
(3)	15 A	Ignition coil
(4)	5 A	Ignition-1 signal 2
(5)	20 A	Shift lever
(6)	–	Blank
(7)	–	Blank
(8)	20 A	Door lock
(9)	15 A	Steering lock
(10)	10 A	Hazard
(11)	5 A	A-STOP controller
(12)	10 A	Rear fog lamp
(13)	5 A	ABS/ESP [®] control module
(14)	15 A	Seat heater
(15)	5 A	Ignition-1 signal 3
(16)	10 A	Dome light-2
(17)	5 A	Dome light
(18)	15 A	Radio
(19)	5 A	CONT
(20)	5 A	Key 2

INSPECTION AND MAINTENANCE

(21)	20 A	Power window timer
(22)	5 A	Key
(23)	15 A	Horn
(24)	5 A	Tail light (Left)
(25)	10 A	Tail light
(26)	10 A	Airbag
(27)	10 A	Ignition-1 signal
(28)	10 A	Back-up light
(29)	5 A	ACC-3
(30)	20 A	Rear defogger
(31)	10 A	Heated mirror
(32)	15 A	ACC-2
(33)	5 A	ACC
(34)	10 A	Rear wiper
(35)	5 A	Ignition-2 signal
(36)	15 A	Washer
(37)	25 A	Front wiper
(38)	10 A	Stop light



81A283

WARNING

Always replace a blown fuse with a fuse of the correct amperage. Never use a substitute such as aluminum foil or wire to replace a blown fuse. If you replace a fuse and the new one blows in a short period of time, you may have a major electrical problem. Have your vehicle inspected immediately by your SUZUKI dealer.

Headlight aiming

Since special procedures are required, ask your authorized SUZUKI dealer for this job.

Bulb replacement

CAUTION

- Light bulbs can be hot enough to burn your finger right after turning off lights. This is true especially for halogen headlight bulbs. Replace the bulbs after they become cool enough.
- The halogen headlight bulbs are filled with pressurized halogen gas. They can burst and injure you if they are hit or dropped. Handle them carefully.
- To avoid injury by sharp-edged parts of the body, wear gloves and a long-sleeved shirt when replacing light bulbs.

NOTICE

The oils from your skin may cause a halogen bulb to overheat and burst when the lights are on. Grasp a new bulb with a clean cloth.

NOTICE

Frequent bulb replacement indicates the need for an inspection of the electrical system. This should be carried out by your SUZUKI dealer.

NOTE:

The inner surface of lens such as the headlights or the rear combination lights may be clouded or dew condensation may occur by driving on a rainy day or washing the vehicle. This is a temporary phenomenon caused by temperature difference between the inside and the outside of the lights. (This is the same phenomenon as the windows are clouded on a rainy day.) Also, it sometimes seems that water gets into the lights because of waterdrop on the edge of the lens. This is a temporary phenomenon caused by water adherence to the outside of the lights.

The above-mentioned phenomena are not vehicle malfunction.

However, if water is piled up in the lights or large waterdrop adheres to the inner surface of lens, have your vehicle inspected by an authorized SUZUKI dealer.

Non-disassembled type lights

Since the lights shown below are non-disassemble type, you cannot replace a bulb. Replace the target assembly if any bulb is defective. If you need to replace the assembly, ask your SUZUKI dealer.

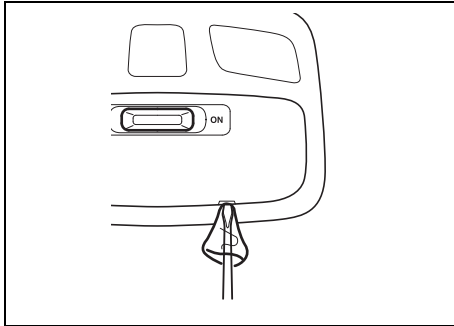
- LED headlight
- Side turn signal light/hazard warning light on fender or outside rearview mirrors
- Daytime running light
- Front position light (Models with LED headlights)
- License plate light (Model with LED type)
- High-mount stop light

INSPECTION AND MAINTENANCE

Interior light

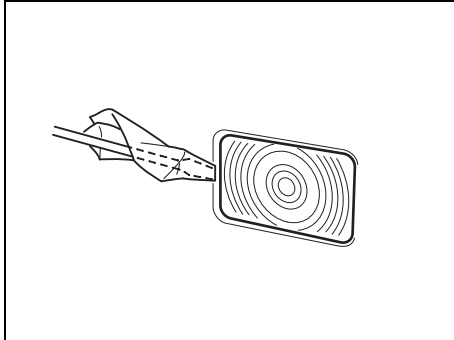
Remove the lens by using a flat-bladed screwdriver covered with a soft cloth as shown. To install it, simply push it back in.

Front



76MH0A139

Luggage compartment



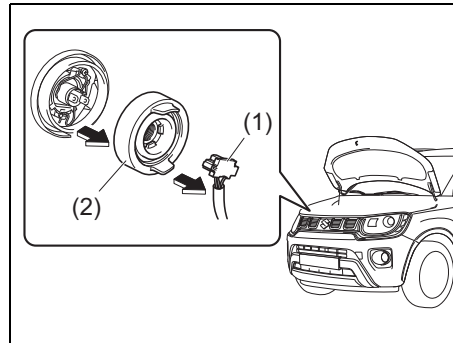
81PN162

Headlights

LED headlights (if equipped)

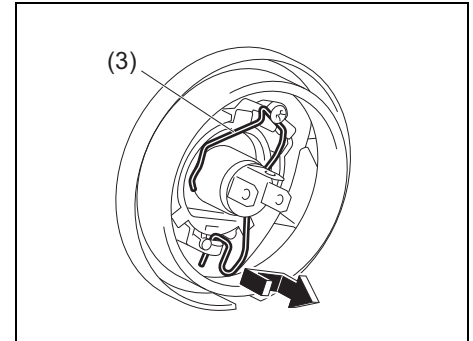
Since special procedures are required, we recommend you take your vehicle to your SUZUKI dealer for bulb replacement.

Halogen headlights (if equipped)



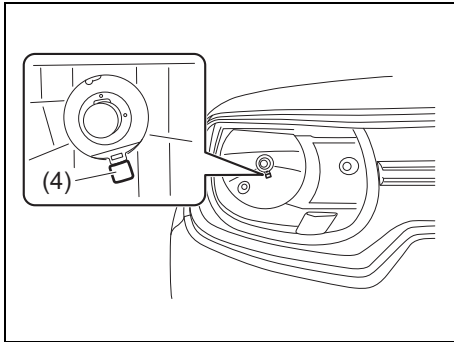
73SB07030

- 1) Open the engine hood. Disconnect the coupler (1). Remove the sealing rubber (2).



75RM068

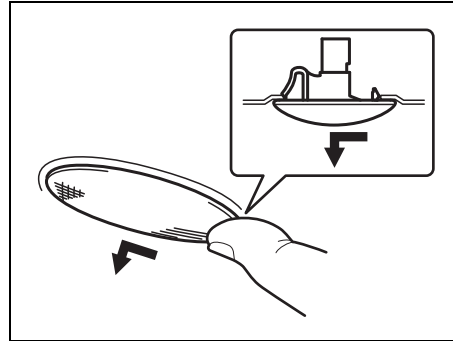
- 2) Push the retaining spring (3) forward and unhook it. Then remove the bulb. Install a new bulb in the reverse order of removal.



75RM069

NOTE:
 You can see the position of retaining spring from the hole (4) of headlight.

Side turn signal light (if equipped)

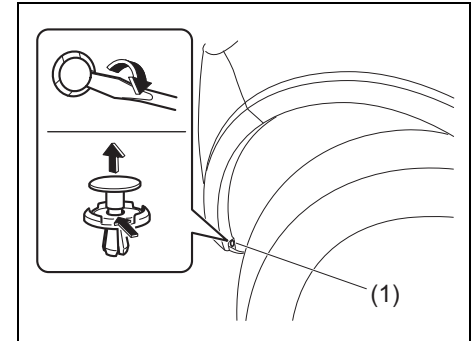


64J195

Since the bulb is built-in type, replace it as the light assembly. Remove the light assembly by sliding the light housing leftward with your finger.

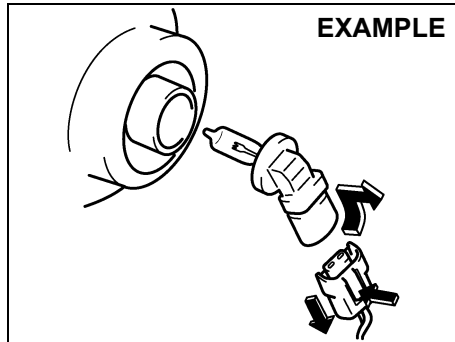
Front fog light (if equipped)

- 1) Start the engine. Turn the steering wheel to the opposite side of the fog light to be replaced to replace the bulb easily. Then turn off the engine.



75RM094

- 2) Remove the clip (1) by prying it off with a flat-bladed screwdriver as shown in the illustration.



80JM071

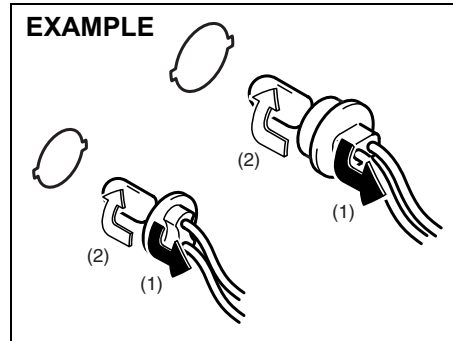
- 3) Open the end of the cover inside the fender. Disconnect the coupler by pushing the lock release. Turn the bulb holder counterclockwise and remove it.

Daytime running light (if equipped)

Since special procedures are required, we recommend you take your vehicle to your SUZUKI dealer for bulb replacement.

Other general lights

Bulb holder

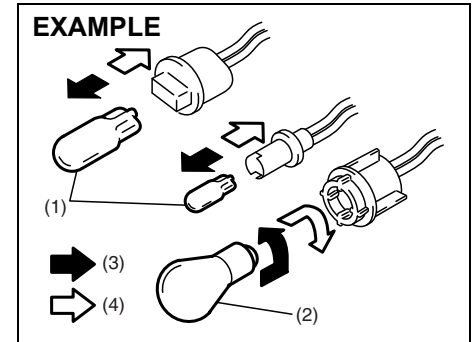


54G123

- (1) Removal
- (2) Installation

To remove a bulb holder from a light housing, turn the holder counterclockwise and pull it out. To install the holder, push the holder in and turn it clockwise.

Bulb



54G124

- (3) Removal
- (4) Installation

There are two types of bulb, full glass type (1) and glass/metal type (2).

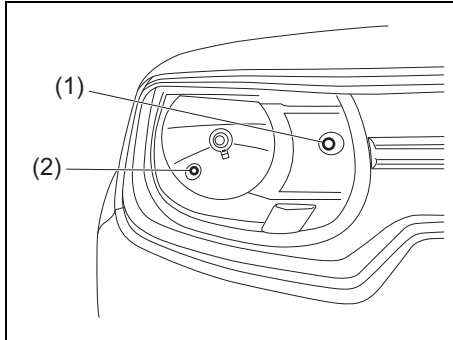
To remove and install a full glass type bulb (1), simply pull out or push in the bulb.

To remove a glass metal type bulb (2) from a bulb holder, push in the bulb and turn it counterclockwise. To install a new bulb, push it in and turn it clockwise.

You can access the individual bulb or bulb holders as follows.

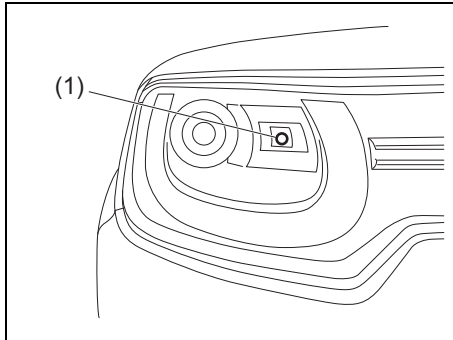
Front turn signal light (1) Front position light (2)

Models with halogen headlights



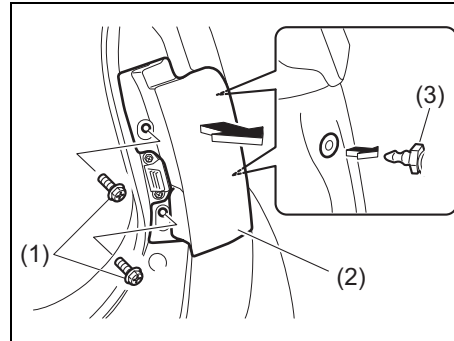
75RM066

Models with LED headlights



62R0306

Rear combination light



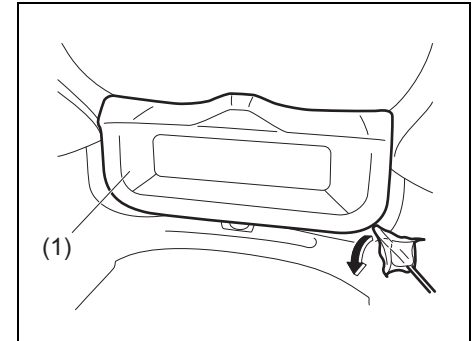
75RM070

Remove the bolts (1) and pull the light housing (2) straight.

NOTE:

When reinstalling the light housing, check that the clips (3) are properly attached.

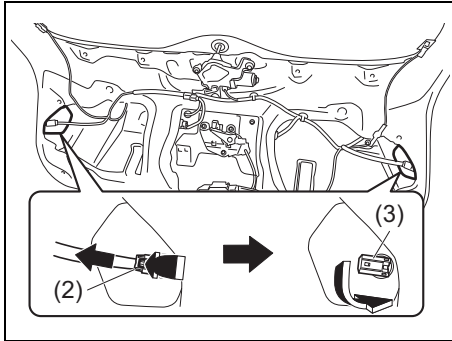
Reversing light



62R0122

- 1) Open the tailgate and remove the trim (1) of the tailgate.
 - Insert a flat-bladed screwdriver covered with a soft cloth between the trim and the tailgate to make a space for fingers, and then pull out the trim with your fingers.

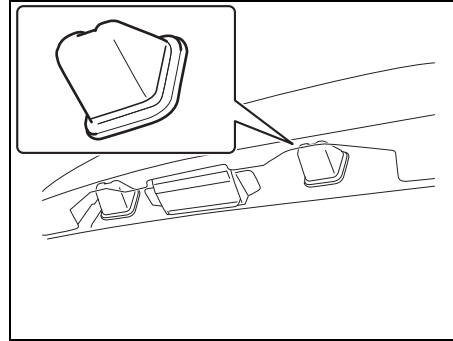
INSPECTION AND MAINTENANCE



62R1068

- 2) Disconnect the coupler (2) by pushing the lock release. Turn the bulb holder of the reversing light (3) counterclockwise and remove it.

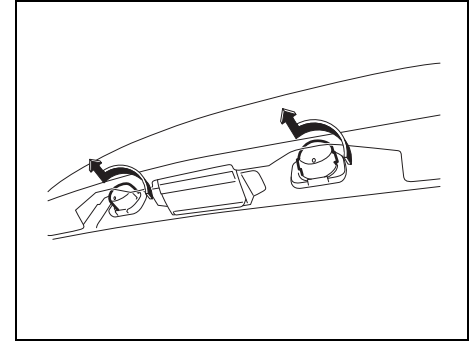
License plate light Model with LED type



73SB07010

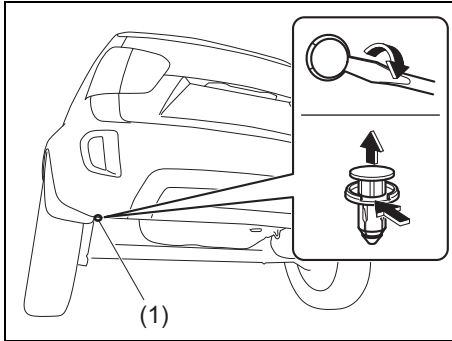
Since special procedures are required, it is recommended that you take your vehicle to an authorized SUZUKI dealer for bulb replacement.

Model with bulb type



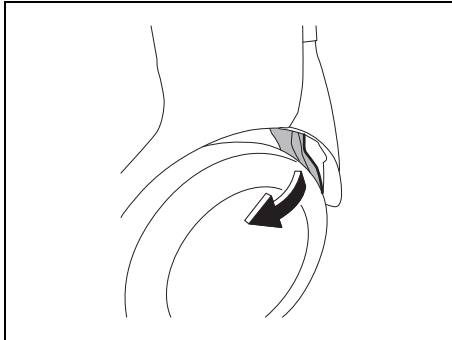
75RM071

Rear fog light (if equipped)



73SB07020

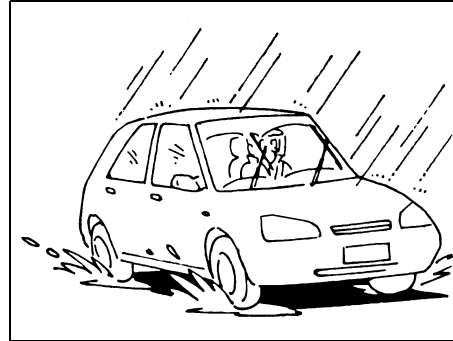
- 1) Remove the clip (1) by prying it off with a flat-bladed screwdriver as shown in the illustration.



75RM073

- 2) Open the end of the cover inside the fender.

Wiper blades



54G129

If the wiper blades become brittle or damaged, or make streaks when wiping, replace the wiper blades.

To install new wiper blades, follow the procedures below.

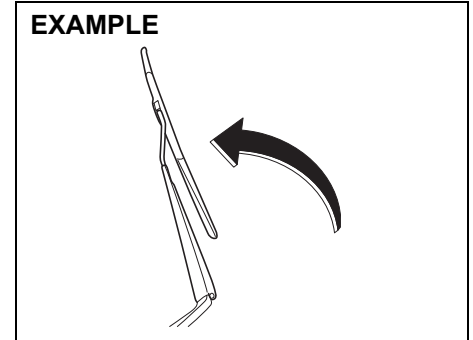
NOTICE

To avoid scratching or breaking the window, do not let the wiper arm strike the window while replacing the wiper blade.

NOTE:

Some wiper blades may be different from the ones described here depending on vehicle specifications. If so, consult your SUZUKI dealer for proper replacement method.

For windshield wipers:



61MM0A208

- 1) Hold the wiper arm away from the window.

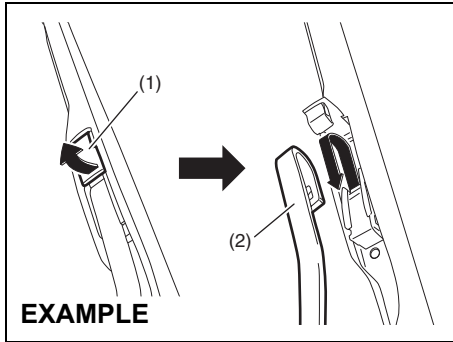
NOTE:

When raising both of the front wiper arms, pull up the wiper arm of the driver's side first.

When returning the wiper arms, lower the wiper arm of the passenger's side first.

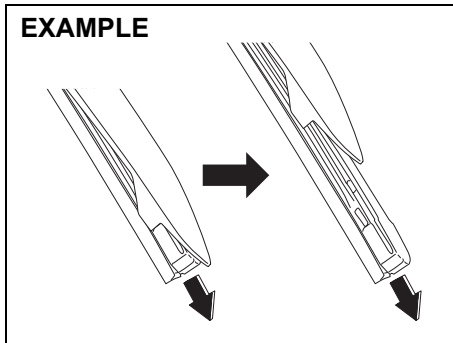
Otherwise, the wiper arms may interfere with each other.

INSPECTION AND MAINTENANCE



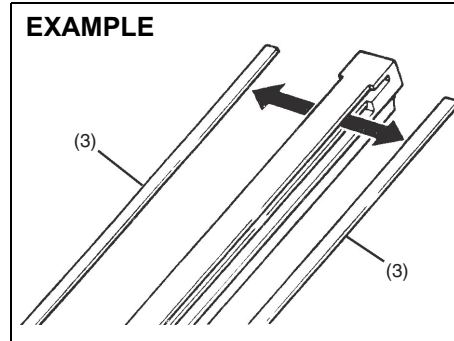
61MM0A210

- 2) Open the lock (1), slide the wiper frame and remove it from the arm (2) as shown.



61MM0A211

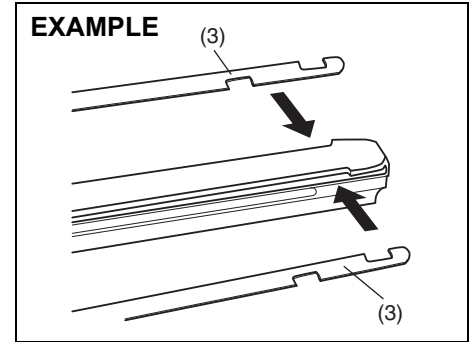
- 3) Pull the locked end of the wiper blade firmly to unlock the blade and slide the blade out as shown.



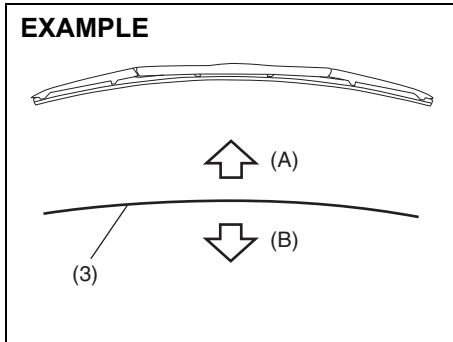
71LMT0708

- (3) Retainer

- 4) If the new blade is provided without the two metal retainers (3), move them from the old blade to the new one.



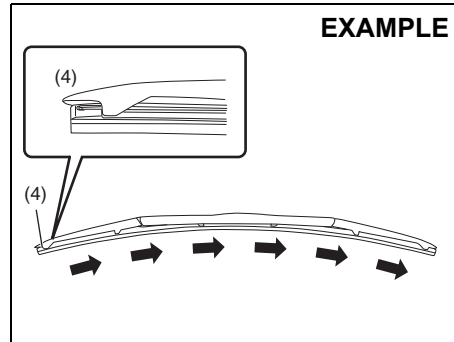
61MM0B098



61MM0A212

- (A) Up
- (B) Down

NOTE:
When you install the metal retainers (3), make sure the direction of metal retainers as shown in the above illustrations.

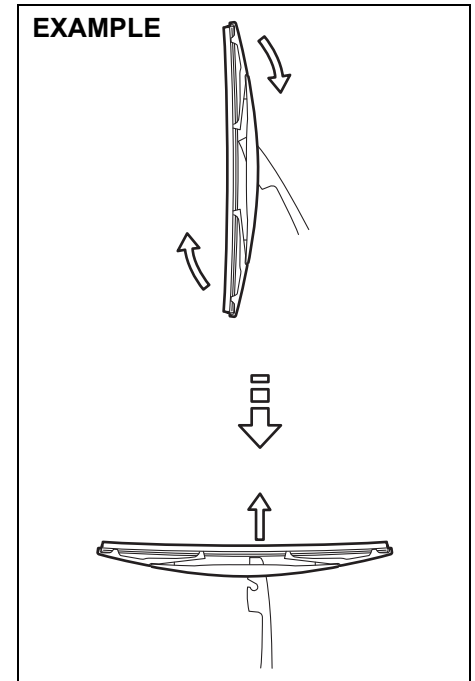


61MM0A213

- (4) Locked end

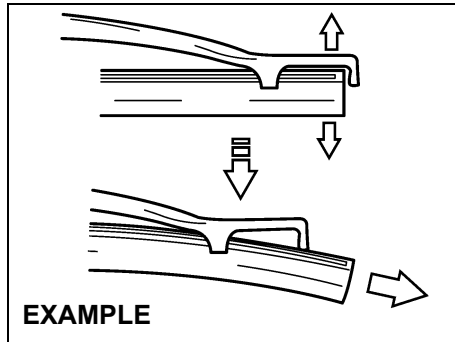
- 5) Install the new blade in the reverse order of removal, with the locked end (4) positioned toward the wiper arm. Make sure the blade is properly retained by all the hooks. Lock the blade end into place.
- 6) Reinstall wiper frame to arm, making sure that the lock lever is snapped securely into the arm.

For rear wipers:



80G146

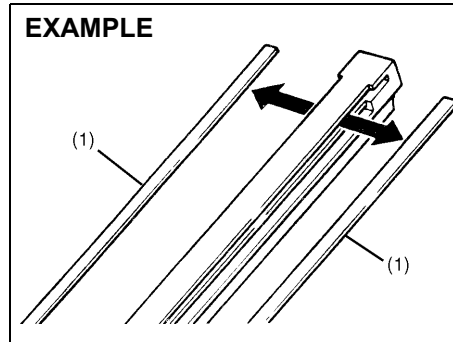
- 1) Hold the wiper arm away from the window.
- 2) Remove the wiper frame from the arm as shown.
- 3) Slide the blade out as shown.



65D151

NOTE:

Do not flex the wiper blade frame end more than necessary. If you do, it can break off.

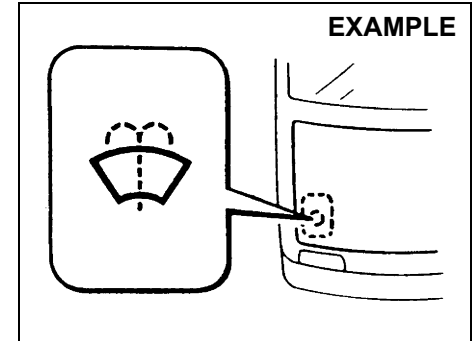


54G135

(1) Retainer

- 4) If the new blade is provided without the two metal retainers, move them from the old blade to the new one.
- 5) Install the new blade in the reverse order of removal.
Check that the blade is properly retained by all the hooks.
- 6) Reinstall wiper frame to arm in the reverse order of removal.

Windshield washer fluid



80JM078

Check that there is washer fluid in the tank. Refill it if necessary. Use a good quality windshield washer fluid, diluted with water as necessary.

NOTICE

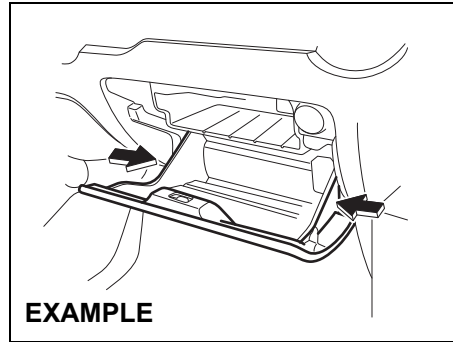
- **Do not use radiator antifreeze in the windshield washer reservoir. This can severely impair visibility when sprayed on the windshield, and also damage your vehicle's paint.**
- **Damage may result if the washer motor is operated with no fluid in the washer tank.**

Air conditioning system

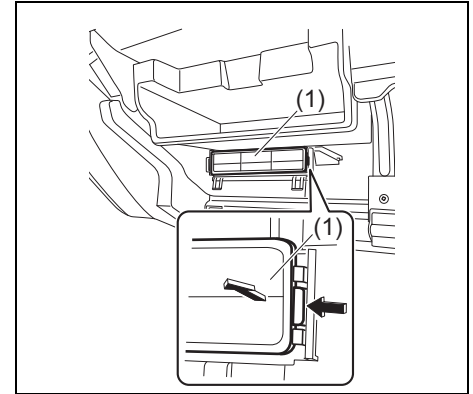
If you do not use the air conditioner for a long period, such as during winter, it may not give the best performance when you start using it again. To help maintain optimum performance and durability of your air conditioner, it needs to be run periodically. Operate the air conditioner at least once a month for one minute with the engine idling. This circulates the refrigerant and oil and helps protect the internal components.

Air conditioner filter replacement (if equipped)

Since special procedures are required, ask your authorized SUZUKI dealer for this job.

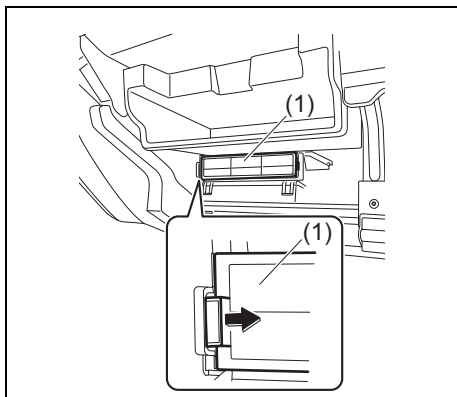


- 1) To approach the air conditioner filter, remove the glove box. Press both sides of the glove box in arrow directions to remove it.



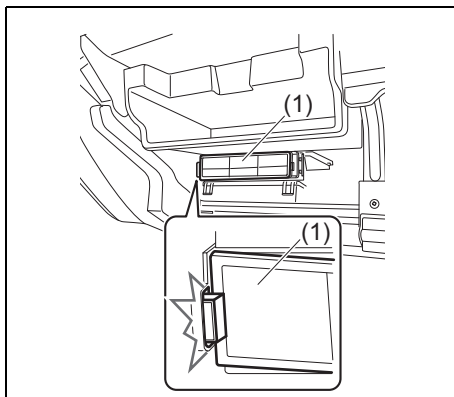
- 2) Unlock the holder (1) and release it from the air conditioner unit.

INSPECTION AND MAINTENANCE



73SB47010

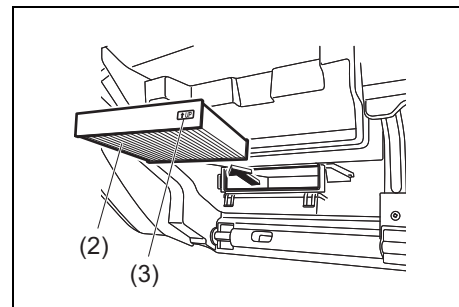
- 3) Slide the tab of the holder (1) in an arrow direction and remove the holder.



73SB47020

NOTICE

Do not apply excessive force to the tab when removing the holder (1). Otherwise, the tab may be damaged.



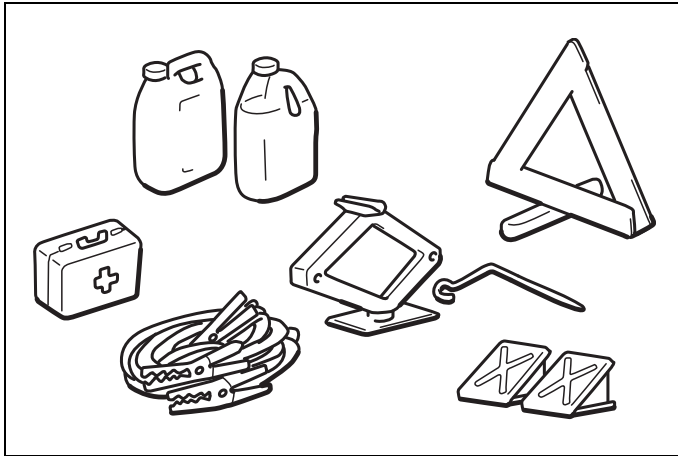
73SB47040

- 4) Pull out the air conditioner filter (2).

NOTE:

When you install a new air conditioner filter, check that the UP mark (3) faces upward.

EMERGENCY SERVICE

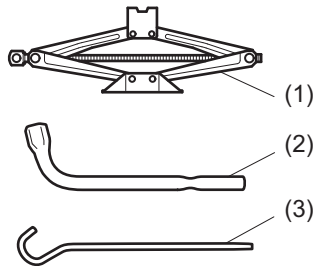


60G411

Tyre changing tool	8-1
Jacking instructions	8-1
Flat tyre repair kit (if equipped)	8-6
Jump-starting instructions	8-10
Towing	8-12
Engine trouble: Starter does not operate	8-13
Engine trouble: Flooded engine	8-13
Engine trouble: Overheating	8-14

Tyre changing tool

EXAMPLE



75RM076

- (1) Jack (if equipped)
- (2) Wheel brace
- (3) Jack handle

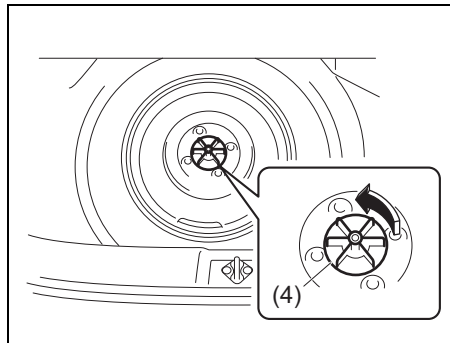
The tyre changing tools are stowed in the luggage compartment. Refer to “LUGGAGE COMPARTMENT” in the “ILLUSTRATED TABLE OF CONTENTS” section.

⚠ WARNING

After using the tyre changing tools, stow them securely or they can cause injury if an accident occurs.

⚠ CAUTION

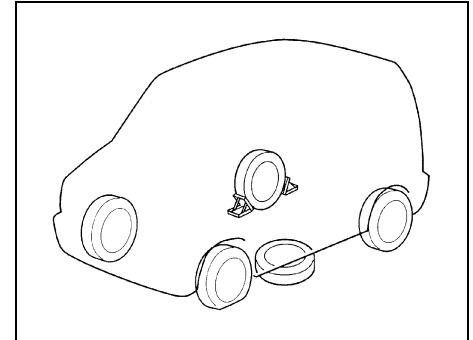
The jack should be used only to change wheels. It is important to read the jacking instructions in this section before attempting to use the jack.



75RM374

To remove the spare tyre (if equipped), turn its bolt (4) counterclockwise and remove it.

Jacking instructions



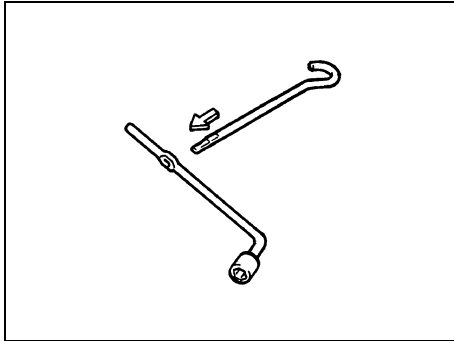
75F062

- 1) Place the vehicle on level, hard ground.
- 2) Set the parking brake firmly and shift into “P” (Park) if your vehicle has a CVT, or shift into “R” (Reverse) if your vehicle has a manual transmission.

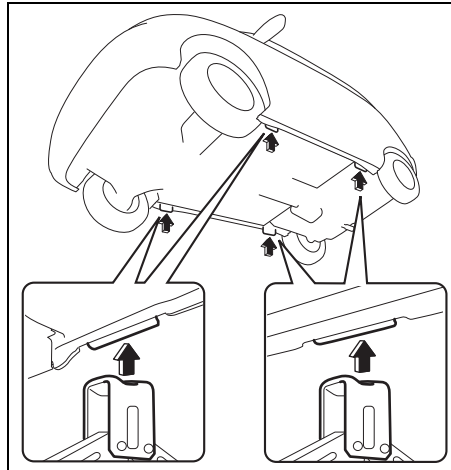
⚠ WARNING

- Be sure to shift into “P” (Park) for a CVT vehicle, or into “R” (Reverse) for a manual transmission vehicle when you jack up the vehicle.
- Never jack up the vehicle with the transmission in “N” (Neutral). Otherwise, unstable jack may cause an accident.

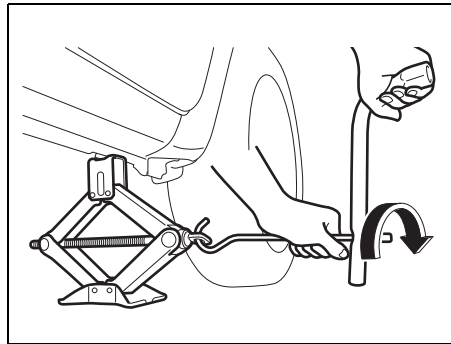
- 3) Turn on the hazard warning flasher if your vehicle is near traffic.
- 4) Block the front and rear of the wheel diagonally opposite of the wheel being lifted.
- 5) Place the spare wheel near the wheel being lifted as shown in the illustration in case the jack slips.



54G253



75RM077



75RM078

- 6) Position the jack at an angle as shown in the illustration and raise the jack by turning the jack handle clockwise until the jack-head groove fits around the jacking bar beneath the vehicle body.
- 7) Continue to raise the jack slowly and smoothly until the tyre clears the ground. Do not raise the vehicle more than necessary.

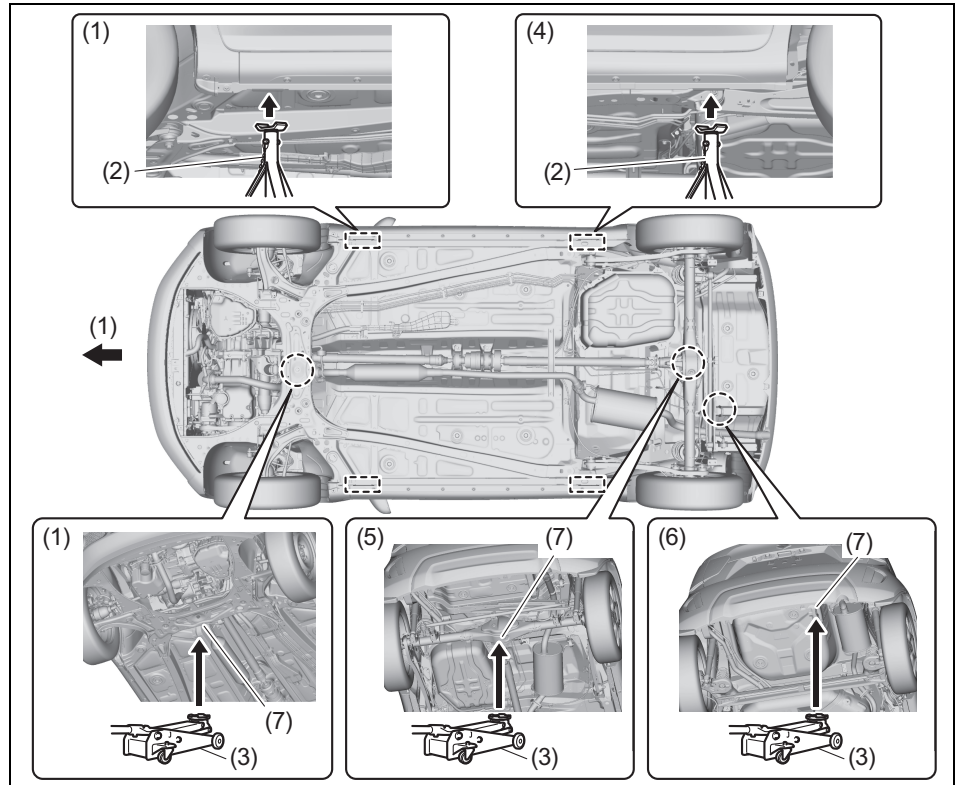
⚠ WARNING

- Use the jack only to change wheels on level, hard ground.
- Never jack up the vehicle on an inclined surface.
- Never raise the vehicle with the jack in a location other than the specified jacking point (shown in the illustration) near the wheel to be changed.
- Check that the jack is raised at least 25 mm (1 in.) before it contacts the flange. Use of the jack when it is within 25 mm (1 in.) of being fully collapsed may result in failure of the jack.
- Never get under the vehicle when it is supported by the jack.
- Never run the engine when the vehicle is supported by the jack and never allow passengers to remain in the vehicle.

EMERGENCY SERVICE

Raising vehicle with garage jack

- Apply the garage jack to one of the points as shown in the illustration
- Always support the raised vehicle with jack stands (commercially available) at the points as shown in the illustration



73SB08010

- (1) Front
(2) Jack stand
(3) Garage jack

- (4) Rear
(5) Rear (4WD)
(6) Rear (2WD)

- (7) Jacking point for garage jack

NOTE:
For more details, contact a SUZUKI dealer.

Changing wheels

To change a wheel, use the following procedure:

- 1) Remove the jack (if equipped), tools and spare wheel from the vehicle.
- 2) Loosen, but do not remove the wheel nuts.
- 3) Jack up the vehicle (follow the jacking instructions in this section).

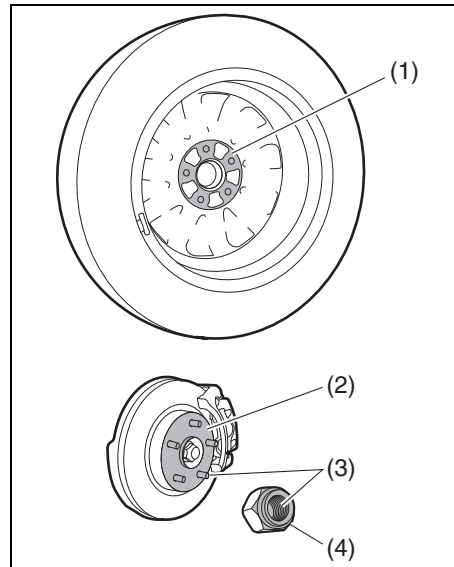
⚠ WARNING

- Be sure to shift into "P" (Park) in CVT, or shift into "R" (Reverse) in manual transmission when you jack up the vehicle.
- Never jack up the vehicle with the transmission in "N" (Neutral). Otherwise, unstable jack may cause an accident.

⚠ CAUTION

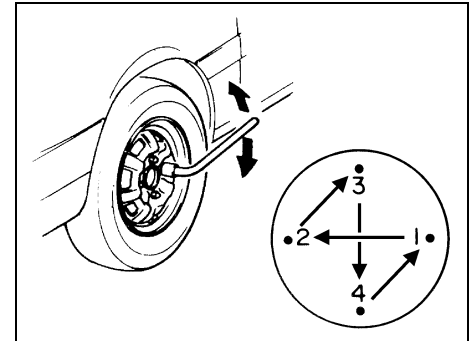
Immediately after the vehicle has been driven, the wheels, the wheel nuts and the area around the brakes might be extremely hot. Touching these areas may cause burn injury. Do not touch these areas, immediately after the vehicle has been driven.

- 4) Remove the wheel nuts and wheel.



65J4033

- 5) Clean any mud or dirt off from the surface of the wheel (1), hub (2), thread part (3) and surface of the wheel nuts (4) with a clean cloth. Clean the hub carefully; it may be hot from driving.
- 6) Install the new wheel and replace the wheel nuts with their cone shaped end facing the wheel. Tighten each nut snugly by hand until the wheel is securely seated on the hub.



54G116

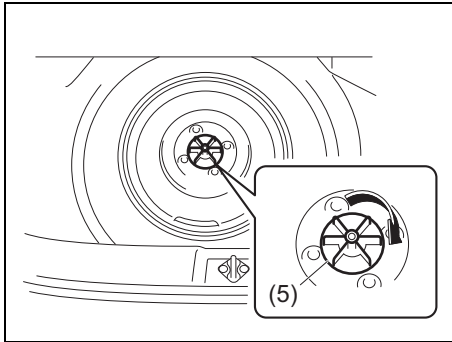
Tightening torque for wheel nut
85 Nm (8.7 kg-m, 62.7 lb-ft)

- 7) Lower the jack and fully tighten the nuts with a wrench in numerical order as shown in the illustration.

⚠ WARNING

Use genuine wheel nuts and tighten them to the specified torque as soon as possible after changing wheels. Incorrect wheel nuts or improperly tightened wheel nuts may come loose or fall off, which can result in an accident. If you do not have a torque wrench, have the wheel nut torque checked by a SUZUKI dealer.

EMERGENCY SERVICE



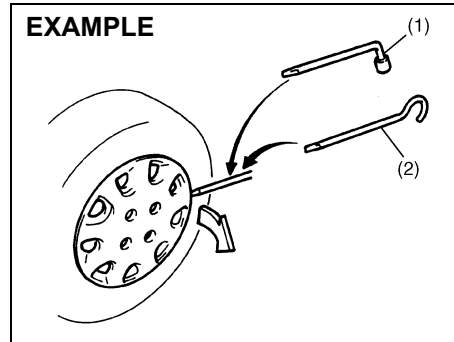
73SB004

- 8) Return the spare tyre back into the luggage compartment in the reverse order of removal and tighten its bolt (5) clockwise as shown in the above illustration.

NOTICE

Make sure that the spare tyre is fixed securely on the floor. Loosely fixed tyre may cause noise during driving and damage paint on vehicle body.

Full wheel cover (if equipped)



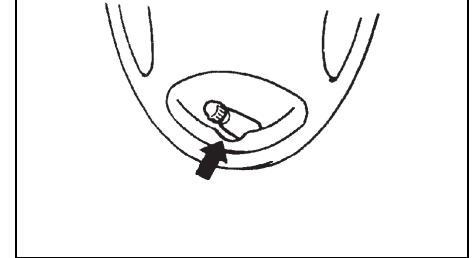
60G309

(1) or (2) Flat end tool

Your vehicle includes two tools, a wheel brace and a jack crank, one of which has a flat end.

Use the tool with the flat end to remove the full wheel cap, as shown above.

EXAMPLE



54P000803

Install the full wheel cover not to cover or foul the air valve.

Flat tyre repair kit (if equipped)

The flat tyre repair kit is stowed in the luggage compartment.

Refer to "LUGGAGE COMPARTMENT" in the "ILLUSTRATED TABLE OF CONTENTS" section.

⚠ WARNING

Failure to follow the instructions in this section for using the flat tyre repair kit can result in an increased risk of loss of control and an accident.

Carefully read and follow the instructions in this section.

IMPORTANT

The flat tyre repair kit cannot be used in the following cases. Consult a SUZUKI dealer or a roadside assistance service.

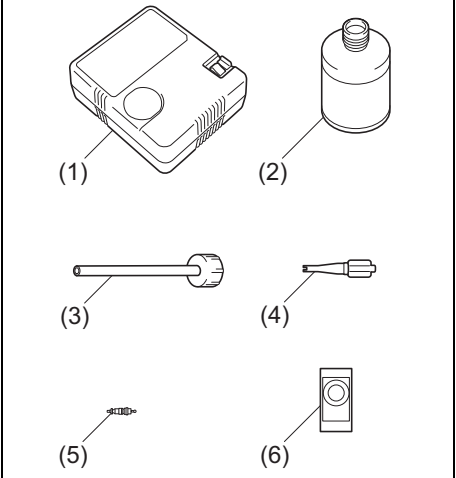
- Cuts or piercing in the tyre tread larger than approx. 4 mm.
- Cuts in the tyre side wall.
- Tyre damage caused by driving with considerably reduced tyre pressure or even with deflated tyre.
- The tyre bead completely unseated outside of the rim.
- The rim damaged.

Small punctures in the tyre tread, caused by a nail or a screw, can be sealed with the flat tyre repair kit.

Do not remove nails or screws from the tyre during an emergency repair.

Flat tyre repair kit contents

EXAMPLE



81P70030

- (1) Air compressor
- (2) Sealant bottle
- (3) Filler hose
- (4) Valve insert remover
- (5) Valve insert (spare)
- (6) Speed restriction sticker

WARNING

Flat tyre repair kit sealant is harmful if swallowed, or if it comes in contact with skin or eyes. If swallowed, do not induce vomiting. Give plenty of water (if possible charcoal slurry) and seek medical attention immediately. If sealant gets in eyes, flush eyes with water and seek medical attention. Wash thoroughly after handling. Solution can be poisonous to animals. Keep out of the reach of children and animals.

NOTICE

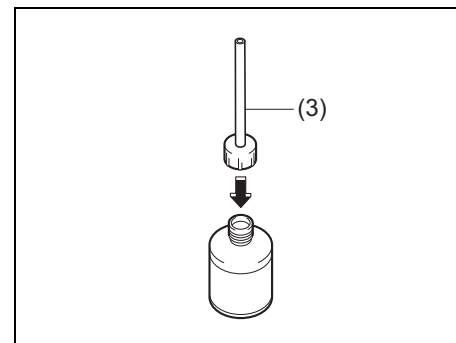
Replace the sealant before expiry date indicated on the label of the sealant bottle. To purchase new sealant, see your SUZUKI dealer.

Emergency repair

- 1) Place the vehicle on level, hard ground. Set the parking brake firmly and shift into "R" (Reverse) if your vehicle has a manual transmission, or shift into "P" (Park) if your vehicle has a CVT. Turn on the hazard warning flasher if your vehicle is near traffic. Block the front and rear of the wheel diagonally opposite of the wheel being repaired.
- 2) Take out the sealant bottle (2) and the compressor, and shake the bottle well.

NOTE:

Shake the bottle well before screwing the filler hose onto the bottle.

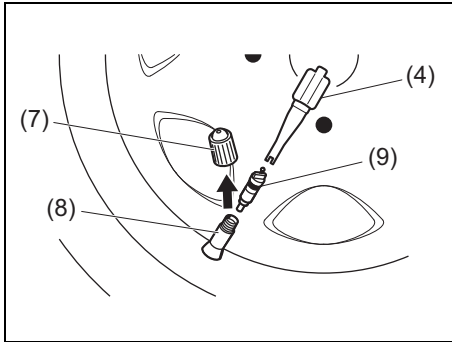


81PN118

- 3) Screw the filler hose (3) onto the bottle, thereby piercing the inner cap of the bottle.

NOTE:

Screw the filler hose without removing the inner cap of the bottle.

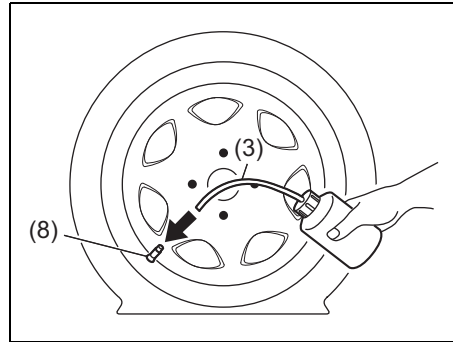


81PN153

- 4) Unscrew the valve cap (7) from the tyre valve (8). Unscrew the valve insert (9) by using the enclosed valve insert remover (4). Place the valve insert (9) onto clean place for re-use.

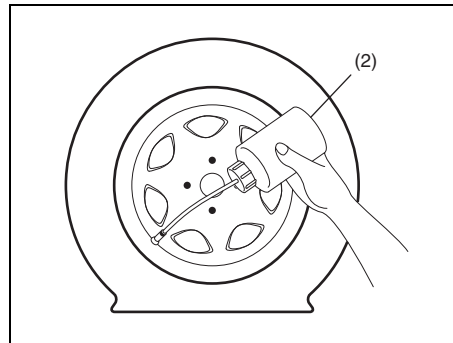
⚠ WARNING

The valve insert can jump out, if air remains in the tyre. Be careful when removing the valve insert.



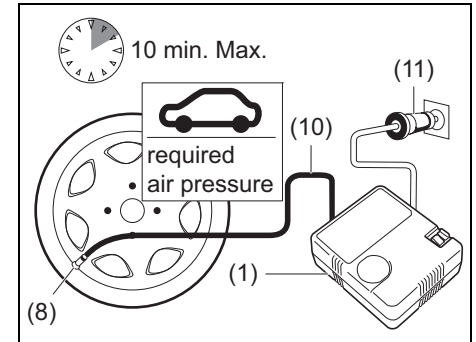
81PN248

- 5) Remove the plug from the filler hose (3) and insert the filler hose into the tyre valve (8).



63J349

- 6) Hold the bottle (2) with bottom upwards and pump the bottle to fill the entire bottle contents (sealant) into the tyre. Thereafter pull off the filler hose and firmly screw the valve insert into the tyre valve again. If the valve insert is dirty or lost, use the enclosed spare valve insert.



81PN120

- 7) Screw the air hose (10) of the compressor (1) to the tyre valve (8). Fit the power plug (11) to the accessory socket. For a manual transmission vehicle, shift from "R" (Reverse) into "N" (Neutral). Start the engine. Switch on the compressor. Inflate the tyre to the required air pressure.

EMERGENCY SERVICE

⚠ WARNING

Do not stand by the tyre, when inflating. It can burst.

NOTICE

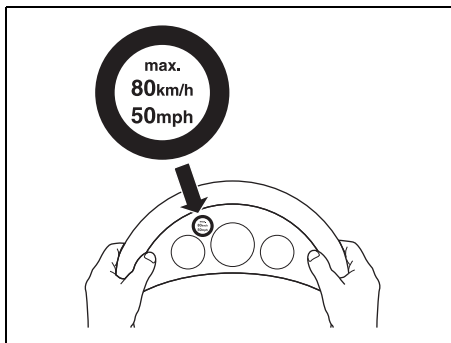
Do not operate the compressor for longer 10 minutes without cease. It can cause overheating of the compressor.

If the tyre cannot be inflated to the required air pressure within 5 minutes, move the vehicle a few meters back and forth to spread the sealant over the entire tyre. Then, inflate the tyre again.

If the tyre still cannot be inflated to the required air pressure, the tyre may be severely damaged. In this case, the flat tyre repair kit cannot provide the necessary seal. Consult a SUZUKI dealer or a roadside assistance service.

NOTE:

If the tyre is over-inflated, deflate air by loosening the screw of the air hose.



81PN249

- 8) Affix the speed restriction label from the air compressor in the driver's field of view.
- 9) Make a short drive immediately after inflating the tyre to the required air pressure. Drive carefully with a maximum speed of 80 km/h (50 mph).
- 10) Carry on driving carefully to the nearest SUZUKI dealer or a tyre repair shop.

⚠ WARNING

Do not affix the speed restriction label to the airbag. Also do not affix it to the warning light indicator or to the speedometer.

- 11) After 10 km (6 mile) running, check the tyre pressure with the pressure gauge of the compressor. If the air pressure indicates more than 130 kPa (1.3 bar), the emergency repair is completed. But, if the air pressure indicates less than the required air pressure, correct the tyre pressure to the required air pressure. If the tyre pressure has dropped below 130 kPa (1.3 bar), the flat tyre repair kit cannot provide the necessary seal. Do not use the tyre and consult a SUZUKI dealer or a roadside assistance service.

⚠ WARNING

Check the tyre pressure and confirm the completion of the emergency repair after 10 km (6 mile) of running.

NOTICE

Have the tyre renewed at the nearest SUZUKI dealer. When reusing the sealed tyre, consult a tyre repair shop.

The wheel can be reused after wiping sealant off completely with cloth in order to prevent rust, but the tyre valve and tyre pressure monitoring system (TPMS) sensor (if equipped) must be renewed.

Dispose of the sealant bottle at a SUZUKI dealer or in accordance with your regional codes and practices.

After using the sealant bottle, replace it with a new bottle from your SUZUKI dealer.

Using compressor to inflate a tyre

- 1) Place the vehicle on level, hard ground. Set the parking brake firmly and shift into "P" (Park) if your vehicle has a CVT, or shift into "R" (Reverse) if your vehicle has a manual transmission.
- 2) Take out the compressor.
- 3) Unscrew the valve cap from the tyre valve.
- 4) Connect the air hose of the compressor to the tyre valve.
- 5) Connect the power plug of the compressor to the accessory socket. For a manual transmission vehicle, shift from "R" (Reverse) into "N" (Neutral). Start the engine. Switch on the compressor. Inflate the tyre to the required air pressure.

NOTICE

Do not operate the compressor for longer than 10 minutes. It can cause overheating of the compressor.

Jump-starting instructions**⚠ WARNING**

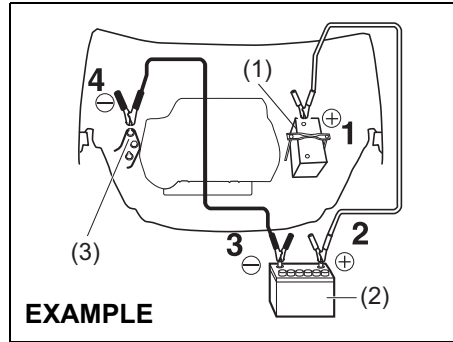
- Never attempt to jump-start your vehicle if the lead-acid battery appears to be frozen. Batteries in this condition may explode.
- When making jump lead connections, check that your hands and the jump leads remain clear from pulleys, belts or fans.
- Lead-acid batteries produce flammable hydrogen gas. Keep flames and sparks away from the battery or an explosion may occur. Never smoke when working near the battery.
- If the booster battery you use for jump-starting is installed in another vehicle, check that the two vehicles are not touching each other.
- If your lead-acid battery discharges repeatedly, for no apparent reason, have your vehicle inspected by a SUZUKI dealer.
- To avoid harm to yourself or damage to your vehicle or battery, follow the jump-starting instructions in this section.
If you are in doubt, call for qualified road service.

EMERGENCY SERVICE

NOTICE

Your vehicle should not be started by pushing or towing. This starting method could result in permanent damage to the catalytic converter. Use jump leads to start a vehicle with a weak or flat battery.

- 1) Use only a 12-volt lead-acid battery to jump-start your vehicle. Position the good 12-volt lead-acid battery close to your vehicle so that the jump leads will reach both batteries. When using a battery installed on another vehicle, check that two vehicles do not touch each other. Set the parking brakes fully on both vehicles.
- 2) Turn off all vehicle accessories, except those necessary for safety reasons (for example, headlights or hazard lights).



- 3) Connect jump leads as follows:
 1. Connect one end of the first jump lead to the positive (+) terminal of the flat battery (1).
 2. Connect the other end to the positive (+) terminal of the booster battery (2).
 3. Connect one end of the second jump lead to the negative (-) terminal of the booster battery (2).
 4. Make the final connection to an unpainted, heavy metal part (i.e. engine mount bracket (3)) of the engine of the vehicle with the flat battery (1).

⚠ WARNING

Never connect the jump lead directly to the negative (-) terminal of the discharged battery, or an explosion may occur.

⚠ CAUTION

Connect the jump lead to the engine mount bracket securely. If the jump lead disconnects from the engine mount bracket because of vibration at the start of the engine, the jump lead could be caught in the drive belts.

- 4) If the booster battery you are using is fitted to another vehicle, start the engine of the vehicle with the booster battery. Run the engine at moderate speed.
- 5) Start the engine of the vehicle with the flat battery.
- 6) Remove the jump leads in the exact reverse order in which you connected them.

Towing

If you need to have your vehicle towed, contact a professional service. Your dealer can provide you with detailed towing instructions.

WARNING

For vehicles equipped with the dual camera brake support, if your vehicle is towed with the engine on, press dual camera brake support OFF switch and turn off the dual camera brake support. If not, accidents related to the system being turned on may occur.

NOTICE

Observe the following instructions when towing your vehicle.

- To help avoid damage to your vehicle during towing, proper equipment and towing procedures must be used.
- Using the frame hook, tow your vehicle on paved roads for short distances at low speed.

2-wheel drive (2WD) CVT

CVT vehicles may be towed using either of the following methods.

- 1) From the front, with the front wheels lifted and the rear wheels on the ground. Before towing, make sure that the parking brake is released.
- 2) From the rear, with the rear wheels lifted and a dolly under the front wheels.

NOTICE

Towing your vehicle with the front wheels on the ground can result in damage to the CVT.

2-wheel drive (2WD) manual transmission

Manual transmission vehicles may be towed using either of the following methods.

- 1) From the front, with the front wheels lifted and the rear wheels on the ground. Before towing, check that the parking brake is released.
- 2) From the rear, with the rear wheels lifted and the front wheels on the ground, provided the steering and drivetrain are in operational condition. Before towing, check that transmission is in neutral, the steering wheel is unlocked (vehicle without keyless push start system - the ignition key should be in "ACC" position) (vehicle with keyless push start system - the ignition mode is ACC), and the steering wheel is secured with a clamping device designed for towing service.

NOTICE

The steering column is not strong enough to withstand shocks transmitted from the front wheels during towing. Always unlock the steering wheel before towing.

4-wheel drive (4WD)

Your vehicle should be towed under one of the following conditions:

- 1) With all four wheels on a flat-bed truck.
- 2) With the front or rear wheels lifted and a dolly under the other wheels.

Engine trouble: Starter does not operate

- 1) Try turning the ignition switch to "START" position or try pressing the engine switch to change the ignition mode to START with the headlights turned on to determine the lead-acid battery condition. If the headlights go excessively dim or go off, it usually means that either the lead-acid battery is flat or the battery terminal contact is poor. Recharge the lead-acid battery or correct battery terminal contact as necessary.
- 2) If the headlights remain bright, check the fuses. If the reason for failure of the starter is not obvious, there may be a major electrical problem. Have the vehicle inspected by your authorized SUZUKI dealer.

Engine trouble: Flooded engine

(Vehicle without keyless push start system)

If the engine is flooded with gasoline, it may be hard to start. If this happens, press the accelerator pedal all the way to the floor and hold it there while cranking the engine.

- Do not operate the starter motor for more than 12 seconds.

(Vehicle with keyless push start system)

If the engine is flooded with gasoline, it may be hard to start. If this happens, press the accelerator pedal all the way to the floor and hold it there while cranking the engine.

- Do not operate the starter motor for more than 12 seconds.

NOTE:

If the engine refuses to start, the starter motor automatically stops after a certain period of time. After the starter motor has automatically stopped or if there is anything abnormal in the engine starting system, the starter motor runs only while the engine switch is held pressed.

Engine trouble: Overheating

The engine could overheat temporarily under severe driving conditions. If the high engine coolant temperature warning light comes on as overheating during driving:

- 1) Turn off the air conditioner, if equipped.
- 2) Take the vehicle to a safe place and park.
- 3) Let the engine run at the normal idle speed for a few minutes until the high engine coolant temperature warning light goes off.

⚠ WARNING

If you see or hear escaping steam, stop the vehicle in a safe place and immediately turn off the engine to cool it. Do not open the hood when steam is present. When the steam can no longer be seen or heard, open the hood to see if the coolant is still boiling. If it is, you must wait until it stops boiling before you proceed.

If the high engine coolant temperature warning light does not go off:

- 1) Turn off the engine and check that the water pump belt and pulleys are not damaged or slipping. If any abnormality is found, correct it.
- 2) Check the coolant level in the reservoir. If it is found to be lower than "LOW" line, check radiator, water pump, radiator hoses and heater hoses for leakage. If leakage that may cause overheating is found, do not run the engine until these problems have been corrected.
- 3) If leakage is not found, carefully add coolant to the reservoir and then the radiator, if necessary. (Refer to "Engine coolant" in the "INSPECTION AND MAINTENANCE" section.)

NOTE:

If engine overheats and you are not sure what to do, contact your SUZUKI dealer.



79J007

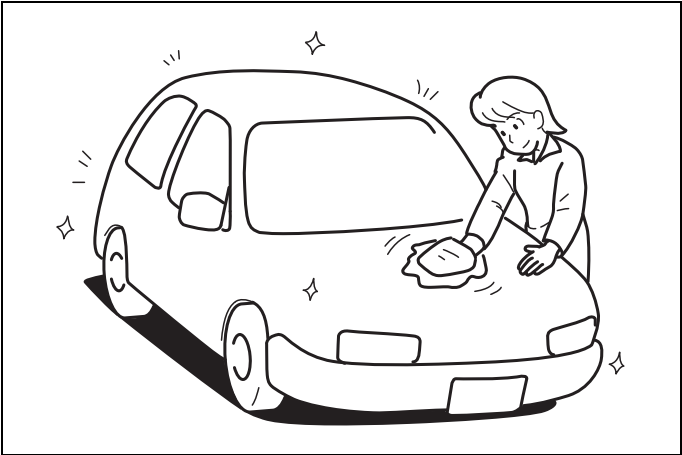
⚠ WARNING

- It is hazardous to remove the radiator cap when the water temperature is high, because scalding fluid and steam may be blown out under pressure. The cap should only be taken off when the coolant temperature has lowered.
- To help prevent personal injury, keep hands, tools and clothing away from the engine cooling fan and air-conditioner fan (if equipped). These electric fans can automatically turn on without warning.

MEMO

APPEARANCE CARE

Corrosion prevention 9-1
Vehicle cleaning 9-2



60G412

APPEARANCE CARE

Corrosion prevention

It is important to take good care of your vehicle to protect it from corrosion. Listed below are instructions for how to maintain your vehicle to prevent corrosion. Please read and follow these instructions carefully.

Important information about corrosion

Common causes of corrosion

- 1) Accumulation of road salt, dirt, moisture or chemicals in hard-to-reach areas of the vehicle underbody or frame.
- 2) Chipping, scratches and any damage to treated or painted metal surfaces resulting from minor accidents or abrasion by stones and gravel.

Environmental conditions which accelerate corrosion

- 1) Road salt, dust control chemicals, sea air or industrial pollution will all accelerate the corrosion of metal.
- 2) High humidity will increase the rate of corrosion particularly when the temperature range is just above the freezing point.
- 3) Moisture in certain areas of a vehicle for an extended period of time may promote corrosion even though other body sections may be completely dry.

- 4) High temperatures will cause an accelerated rate of corrosion to parts of the vehicle which are not well-ventilated to permit quick drying.

This information illustrates the necessity of keeping your vehicle (particularly the underbody) as clean and dry as possible. It is equally important to repair any damage to the paint or protective coatings as soon as possible.

How to help prevent corrosion

Wash your vehicle frequently

The best way to preserve the finish on your vehicle and to help avoid corrosion is to keep it clean with frequent washing. Wash your vehicle at least once during the winter and once immediately after the winter. Keep your vehicle, particularly the underside, as clean and dry as possible. If you frequently drive on salted roads, your vehicle should be washed at least once a month during the winter. If you live near the ocean, your vehicle should be washed at least once a month throughout the year.

For washing instructions, refer to "Vehicle cleaning" section.

Remove foreign material deposits

Foreign material such as salts, chemicals, road oil or tar, tree sap, bird droppings and industrial fall-out may damage the finish of your vehicle if it is left on painted surfaces. Remove these types of deposits as quickly as possible. If it is difficult to wash off these deposits, an additional cleaner may be required. Check that any cleaner you use is not harmful to painted surfaces and is specifically intended for your purposes. Follow the manufacturer's directions when using these special cleaners.

Repair finish damage

Carefully examine your vehicle for damage to the painted surfaces. Should you find any chips or scratches in the paint, touch them up immediately to prevent corrosion from starting. If the chips or scratches have gone through to the bare metal, have a qualified body shop make the repair.

Keep passenger and luggage compartments clean

Moisture, dirt or mud can accumulate under the floor mats and may cause corrosion. Occasionally, check under these mats to ensure that this area is clean and dry. More frequent checks are necessary if the vehicle is used for off-road driving or in wet weather.

Certain cargos such as chemicals, fertilizers, cleaners, salts, etc. are extremely corrosive by nature. These products should be transported in sealed containers. If they

are spilled or leaked, clean and dry the area immediately.

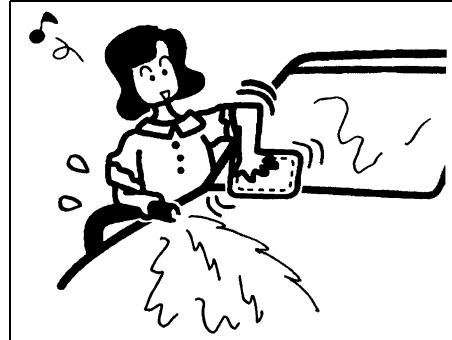
Store your vehicle in a dry, well-ventilated area

Do not park your vehicle in a damp, poorly-ventilated area. If you often wash your vehicle in the garage and place it there in wet condition, your garage may be damp. The high humidity in the garage may cause or accelerate corrosion. A wet vehicle may corrode even in a heated garage if the ventilation is poor.

⚠ WARNING

Do not apply additional undercoating or rust preventive coating on or around exhaust system components such as the catalytic converter and exhaust pipes. A fire could be started if the undercoating substance becomes overheated.

Vehicle cleaning



76G044S

⚠ WARNING

When cleaning the interior or exterior of the vehicle, do not use flammable solvents such as lacquer thinners, gasoline and benzene. Also, do not use cleaning materials such as bleaches and strong household detergents. The materials could cause personal injury or damage to the vehicle.

⚠ WARNING

On models equipped with the ENG A-STOP system, there is a lithium-ion battery under the front left side seat. Do not allow the battery to get wet. Otherwise, it may cause a fire or electric shock or damage to the battery.

Cleaning interior

Vinyl upholstery

Prepare a solution of soap or mild detergent mixed with warm water. Apply the solution to the vinyl with a sponge or soft cloth and let it soak for a few minutes to loosen dirt.

Rub the surface with a clean, damp cloth to remove dirt and the soap solution. If some dirt still remains on the surface, repeat this procedure.

Fabric upholstery

Remove loose dirt with a vacuum cleaner. Using a mild soap solution, rub stained areas with a clean damp cloth. To remove soap, rub the areas again with a cloth dampened with water. Repeat this until the stain is removed, or use a commercial fabric cleaner for tougher stains. If you use a fabric cleaner, carefully follow the manufacturer's instructions and precautions.

APPEARANCE CARE

Leather upholstery

Remove loose dirt with a vacuum cleaner. Using a mild soap or saddle soap solution, wipe dirt off with a clean damp soft cloth. To remove soap, wipe the areas again with a soft cloth dampened with water. Wipe the areas dry with a soft dry cloth. Repeat this until the dirt or stain is removed, or use a commercial leather cleaner for tougher dirt or stains. If you use a leather cleaner, carefully follow the manufacturer's instructions and precautions. Do not use solvent type cleaners or abrasive cleaners.

NOTE:

- *In order to keep leather upholstery looking good, it should be cleaned at least twice a year.*
- *If leather upholstery becomes wet, immediately wipe it dry with tissue paper or a soft cloth. Water may cause leather to harden and shrink if it is not wiped off.*
- *When parking on sunny days, select a shady place or use a sunshade. If leather upholstery is exposed to direct sunlight for a long time, it may discolor and shrink.*
- *As is common with natural materials, leather is inherently irregular in grain and cowhide has spots in its natural state. These do not affect the performance of the leather in any way.*

Seat belts

Clean seat belts with a mild soap and water. Do not use bleach or dye on the belts. They may weaken the fabric in the belts.

Vinyl floor mats

Ordinary dirt can be removed from vinyl with water or mild soap. Use a brush to help loosen dirt. After the dirt is loosened, rinse the mat thoroughly with water and dry it in the shade.

Carpets

Remove dirt and soil as much as possible with a vacuum cleaner. Using a mild soap solution, rub stained areas with a clean damp cloth. To remove soap, rub the areas again with a cloth dampened with water. Repeat this until the stain is removed, or use a commercial carpet cleaner for tougher stains. If you use a carpet cleaner, carefully follow the manufacturer's instructions and precautions.

Instrument panel and console

Remove loose dirt with a vacuum cleaner. Gently wipe dirt off with a tightly squeezed damp clean cloth. Repeat this until the dirt is removed.

NOTICE

Do not use chemical products that contain silicon to wipe electrical components such as the air conditioning system, audio, navigation system, or other switches. These will cause damage to the components.

NOTICE

- **Liquid such as liquid aromatics, soft drinks or juice may cause discoloration, wrinkles, and cracking to resin-based parts and textiles. Immediately wipe it dry with tissue paper or a soft cloth.**
- **Do not leave leather products with color, fur or vinyl products, etc. in your vehicle for long periods. It may cause discoloration or deterioration of interior.**

Cleaning exterior

NOTICE

It is important that your vehicle be kept clean and free from dirt. Failure to keep your vehicle clean may result in fading of the paint or corrosion to various parts of the vehicle body.

Caring for aluminum wheels

NOTE:

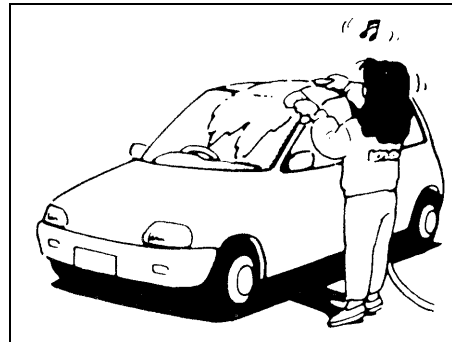
- Do not use an acidic or alkaline detergent, or a cleaner containing petroleum solvent to wash aluminum wheels. These types of cleaner will cause permanent spots, discoloration and cracks on finished surfaces and damage to center caps.
- Do not use a bristle brush and soap containing an abrasive material. These will damage finished surfaces.

Washing

⚠ WARNING

- Never attempt to wash and wax your vehicle with the engine running.
- When cleaning the underside of the body and fender, where there may be sharp-edged parts, wear gloves and a long-sleeved shirt to protect your hands and arms from being cut.
- After washing your vehicle, carefully test the brakes before driving to check that they have maintained their normal effectiveness.

Washing by hand



60B212S

When washing the vehicle, park it in the place where direct sunlight does not fall on it and follow the instructions below:

- 1) Flush the underside of body and wheel housings with pressurized water to remove mud and debris. Use plenty of water.

NOTICE

When washing the vehicle:

- Avoid directing steam or hot water of more than 80°C (176°F) on plastic parts.
- To avoid damaging engine components, do not use pressurized water in the engine compartment.

- 2) Rinse the body to loosen the dirt. Remove dirt and mud from the body exterior with running water. You may use a soft sponge or brush. Do not use hard materials which can scratch the paint or plastic. Remember that the headlight covers or lenses are made of plastic in many cases.

NOTICE

To avoid damage to the paint or plastic surface, do not wipe the dirt off without ample water. Follow the above procedure.

APPEARANCE CARE

- 3) Wash the entire exterior with a mild detergent or car wash soap using a sponge or soft cloth. The sponge or cloth should be frequently soaked in the soap solution.

NOTICE

When using a commercial car wash product, observe the cautions specified by the manufacturer. Never use strong household detergents or soaps.

- 4) Once the dirt has been completely removed, rinse off the detergent with running water.
- 5) Wipe off the vehicle body with a wet chamois or cloth and allow it to dry in the shade.
- 6) Check carefully for damage to painted surfaces. If there is any damage, touch up the damage following the procedure below:
1. Clean all damaged spots and allow them to dry.
 2. Stir the paint and touch up the damaged spots lightly using a small brush.
 3. Allow the paint to dry completely.

Washing by an automatic car wash

NOTICE

If you use an automatic car wash, check that your vehicle's body parts, such as antenna and spoilers, cannot be damaged. If you are in doubt, consult the car wash operator for advice.

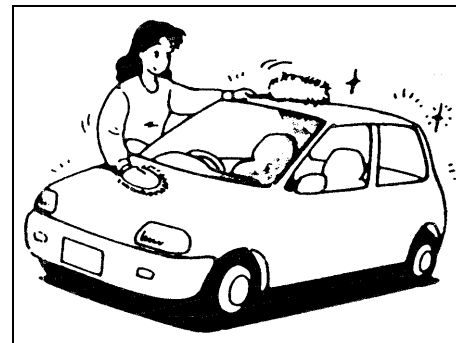
Washing by a high-pressure cleaner

NOTICE

If you use a high-pressure cleaner, keep away the nozzle from your vehicle sufficiently.

- Bringing the nozzle to your vehicle too close or pointing the nozzle to the opening of front grill or bumper etc. can cause damage and malfunction of the vehicle body and parts.
- Pointing the nozzle to door glasses and door frames can allow water to enter the cabin.

Waxing



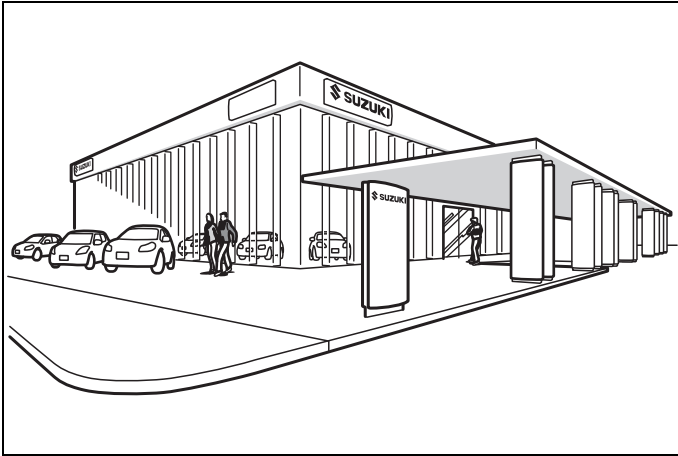
60B211S

After washing the vehicle, waxing and polishing are recommended to further protect and beautify the paint.

- Only use waxes and polishes of good quality.
- When using waxes and polishes, observe the precautions specified by the manufacturers.

GENERAL INFORMATION

Vehicle identification 10-1



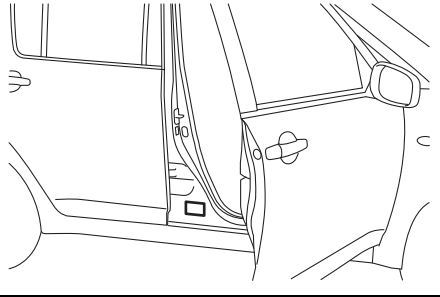
84MM01001

GENERAL INFORMATION

Vehicle identification

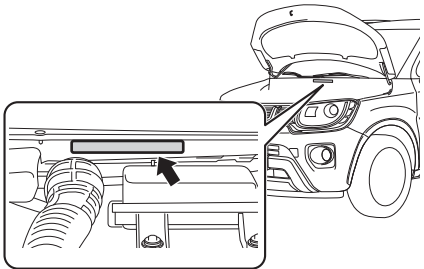
Chassis serial number

EXAMPLE



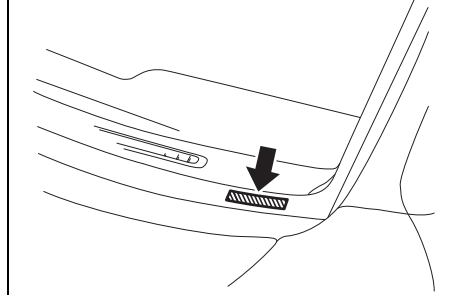
75RM337

EXAMPLE



73SB015

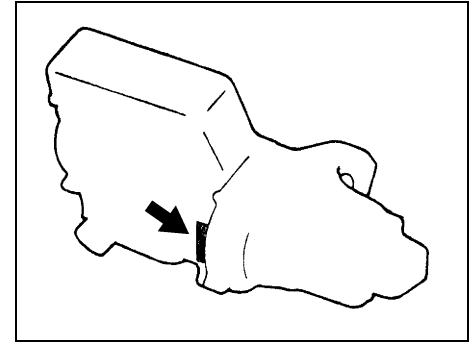
EXAMPLE (for some vehicles)



68LM101

The chassis and/or engine serial numbers are used to register the vehicle. They are also used to assist your dealer when ordering or referring to special service information. Whenever you have occasion to consult your SUZUKI dealer, remember to identify your vehicle with this number. Should you find the number difficult to read, you will also find it on the identification plate.

Engine serial number



60G128

The engine serial number is stamped on the cylinder block as shown in the illustration.

SPECIFICATIONS

NOTE:
Specifications are subject to change without notice.

M/T: Manual transmission 2WD: 2-wheel drive
 CVT: Continuously variable transmission 4WD: 4-wheel drive

ITEM: Dimensions		UNIT: mm (in.)	
Overall length		3700 (145.7)	
Overall width	without wheel arch extensions	1660 (65.4)	
	with wheel arch extensions	1690 (66.5)	
Overall height		1595 (62.8)	
Wheelbase		2435 (95.9)	
Track	Front	1460 (57.5)	
	Rear	2WD	1470 (57.9)
		4WD	1460 (57.5)
Ground clearance		180 (7.1)	

SPECIFICATIONS

ITEM: Mass (weight)		UNIT: kg (lbs)	K12C engine model	K12D engine model	K12M engine model
Curb mass (weight)	M/T	2WD	845 (1863)	860 – 890 (1895 – 1962)	825 – 850 (1819 – 1874)
		4WD	–	910 – 935 (2006 – 2061)	–
	CVT	2WD	875 – 905 (1929 – 1995)	890 – 920 (1962 – 2028)	855 – 880 (1885 – 1940)
Gross vehicle mass (weight) rating			1330 (2932)		
Permissible maximum axle weight		Front	690 (1521)	750 (1653)	690 (1521)
		Rear	750 (1653)		

ITEM: Engine			
Type	K12C	K12D	K12M (DOHC)
Number of cylinders	4	4	4
Bore	73.0 mm (2.87 in.)	73.0 mm (2.87 in.)	73.0 mm (2.87 in.)
Stroke	74.2 mm (2.92 in.)	71.5 mm (2.81 in.)	71.5 mm (2.81 in.)
Piston displacement	1242 cm ³ (1242 cc, 75.8 cu.in)	1197 cm ³ (1197 cc, 73.0 cu.in)	1197 cm ³ (1197 cc, 73.0 cu.in)
Compression ratio	12.5 : 1	13.0 : 1	11.0 : 1

ITEM: Electrical			
Standard spark plug	K12C engine models		NGK ILZKR6F11
	K12D engine models		NGK ILZKR6P11S
	K12M engine models		NGK LKR6F-10
Battery	without ENG A-STOP system		12V 20HR 45Ah CCA 295A 46B24 (JIS)
	with ENG A-STOP system	Lead-acid battery	12V 20HR 55Ah CCA 450A LN1 (EN)
		Lithium-ion battery	Maintenance free *1
Fuses	See "INSPECTION AND MAINTENANCE" section.		

*1 For replacing or disposing of the lithium-ion battery, consult your SUZUKI dealer.

SPECIFICATIONS

ITEM: Lights		WATTAGE	BULB No.
Headlight	Halogen headlight	12V 60/55W	H4
	LED headlight ^{*1}	LED	–
Front fog light (if equipped)		12V 19W	H16
Position light	Models with halogen headlights	12V 5W	W5W
	Models with LED headlights ^{*1}	LED	–
Daytime running light (if equipped) ^{*1}		LED	–
Turn signal light	Front	12V 21W	WY21W
	Rear	12V 21W	WY21W
Side turn signal light	Fender ^{*1}	12V 5W	–
	Outside rearview mirrors ^{*1}	LED	–
Tail/brake light		12V 21/5W	W21/5W
		LED ^{*1}	–
High mount stop light ^{*1}		LED	–
Reversing light		12V 16W	W16W
License plate light		12V 5W	W5W
		LED ^{*1}	–
Rear fog light (if equipped)		12V 21W	W21W
Interior light	Front	12V 10W	–
	Luggage compartment	12V 5W	W5W

• If you need to replace the following bulbs indicated in the above table, consult your SUZUKI dealer.

^{*1} Since the lights are non-disassemble type, you cannot replace a bulb. Replace the target assembly if any bulb is defective.

ITEM: Wheels and tyres	
Tyre size, front and rear	175/65R15 84H ^{*1} , 175/60R16 82H ^{*1}
Rim size	175/65R15 tyre: 15X5J 175/60R16 tyre: 16X5J
Tyre pressures	For the specified tyre pressure, see the tyre information label located on the driver's door lock pillar.
Recommended snow chain (for Europe)	Radial thickness: 10 mm, axial thickness: 10 mm
Recommended snow tyre	175/65R15 ^{*2} or 175/60R16 ^{*2}

*1 If you cannot prepare tyres with the specified load index rate and speed symbol, prepare tyres with higher load index rate and speed symbol.

*2 If you prepare snow tyres;

- Check that they are tyres of the same size, structure and load capacity as the originally installed tyres.
- Mount the snow tyres on all four wheels.
- Understand that the maximum permissible speed of snow tyres is generally less than the originally installed tyres.

Consult your SUZUKI dealer or supplier for further information.

SPECIFICATIONS

ITEM: Recommended fuel / lubricants and capacities (approx.)				
Fuel		2WD	See "FUEL RECOMMENDATION" section.	32 L (7.0 Imp gal)
		4WD		30 L (6.6 Imp gal)
Engine oil	K12C engine models		Classification: API SN or SP ILSAC GF-5 or GF-6 Viscosity: SAE 0W-16	3.3 L (5.8 Imp pt) (replacement with oil filter)
	K12D engine models		Classification: API SN or SP ILSAC GF-5 or GF-6 Viscosity: SAE 0W-16	3.3 L (5.8 Imp pt) (replacement with oil filter)
	K12M engine models		Classification: API SL, SM, SN or SP ILSAC GF3, GF-4, GF-5 or GF-6 Viscosity: SAE 0W-20	3.1 L (5.5 Imp pt) (replacement with oil filter)
Engine coolant	K12C and K12D engine models	M/T	"SUZUKI LLC: Super (Blue) Coolant"	4.0 L (7.0 Imp pt) (including reservoir tank)
		CVT		4.2 L (7.4 Imp pt) (including reservoir tank)
	K12M engine models	M/T		3.8 L (6.7 Imp pt) (including reservoir tank)
		CVT		4.0 L (7.0 Imp pt) (including reservoir tank)

ITEM: Recommended fuel / lubricants and capacities (approx.)			
Manual transmission oil		“SUZUKI GEAR OIL 75W”	1.5 L (2.6 Imp pt)
CVT fluid		SUZUKI CVTF GREEN-2	5.73 L (10.1 Imp pt)
Transfer oil	4WD	“SUZUKI GEAR OIL 75W-85”	0.41 L (0.7 Imp pt)
Rear differential oil	4WD	“SUZUKI GEAR OIL 75W-85”	0.85 L (1.5 Imp pt)
Brake fluid		SAE J1703 or DOT3	-

SUPPLEMENT

For Australia	12-1
For GCC countries	12-3
For Chile and Panama	12-5
For Mexico	12-6
For Taiwan	12-7
For Argentina	12-11
For Ukraine	12-12

SUPPLEMENT

For Australia

Built date

Built date is located on Vehicle Identification plate.

“Built date” means – the calendar month and the year in which the body shell and power train sub-assemblies are conjoined and the vehicle is driven or moved from the production line.

Temporary-use spare tyre (compact spare tyre)

TYRE SIZE	T135/70R15 99M
RIM SIZE	15 x 4T
COLD TYRE PRESSURE	420 kPa (60 psi)

Temporary Spare Tyres fitted to this vehicle must have a maximum load rating of not less than 775 kg, or a load index of “99” and a speed category symbol of not less than “M” (130 km/h).

Drive with caution when the Temporary-Use Spare Unit is fitted. Reinstall standard unit as soon as possible.

Child restraint

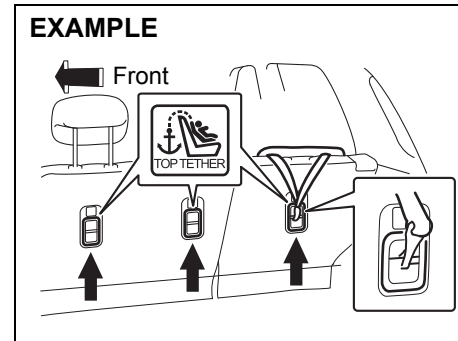
⚠ WARNING

Child restraint anchorages are designed to withstand only those loads imposed by correctly fitted child restraints. Under no circumstances are they to be used for adult seat belts, harnesses or for attaching other items or equipment to the vehicle.

NOTE:
SUZUKI genuine child restraint systems do not comply with AS (Australian standard) 1754.

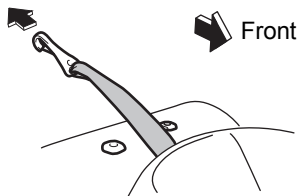
Do not use these child restraint systems in Australia.

Child restraint top tether anchorage brackets



Some child restraint systems require the use of a top tether strap. Top tether anchorage brackets are provided in your vehicle at the locations shown in the illustrations. The number of the top tether anchorage brackets provided in your vehicle depends on the vehicle specification. Install the child restraint system as follows.

EXAMPLE



54P001207

Remove the head restraint before anchoring the top tether strap. After anchoring the top tether strap, install the head restraint back into position and make sure the top tether strap passes under it as shown in the illustration.

Follow the above procedure in reverse when removing the top tether strap.

Please refer to the "Seat belts and child restraint systems" section in the "BEFORE DRIVING" section for details on securing your child.

Rear-facing child restraint

⚠ WARNING

Do not use a rearward facing child restraint on a seat protected by an airbag in front of it.

⚠ WARNING

Do not install a rear-facing child restraint in the front passenger's seat. If the passenger's front airbag inflates, a child in a rear-facing child restraint could be killed or severely injured. The back of a rear-facing child restraint would be too close to the inflating airbag.

If you must use a front-facing child restraint in the front passenger's seat, be sure to move the front passenger's seat as far back as possible. Please refer to "Seat belts and child restraint systems" in the "BEFORE DRIVING" section for details on securing your child.

Seat belt warning

Follow this warning as well as the instruction for seat belt in this book.

⚠ WARNING

Seat belts are designed to bear upon the bony structure of the body, and should be worn low across the front of the pelvis or the pelvis, chest and shoulders, as applicable; wearing the lap section of the belt across the abdominal area must be avoided.

- **Seat belts should be adjusted as firmly as possible, consistent with comfort, to provide the protection for which they have been designed. A slack belt will greatly reduce the protection afforded to the wearer.**
- **Care should be taken to avoid contamination of the webbing with polishes, oils and chemicals, and particularly battery acid. Cleaning may safely be carried out using mild soap and water. The belt should be replaced if webbing becomes frayed, contaminated or damaged.**

(Continued)

▲ WARNING

(Continued)

- It is essential to replace the entire assembly after it has been worn in a severe impact even if damage to the assembly is not obvious.
- Belts should not be worn with straps twisted.
- Each belt assembly must only be used by one occupant; it is dangerous to put a belt around a child being carried on the occupant's lap.

In the case where a "Seat Belt Assembly" incorporates an "Automatic Length Adjusting and Locking Retractor" or an "Emergency Locking Retractor".

▲ WARNING

- No modifications or additions should be made by the user which will either prevent the seat belt adjusting devices from operating to remove slack, or prevent the seat belt assembly from being adjusted to remove slack.
- Referring to the SEAT BELT instruction in this book, adjust the seat belt so that the lap and sash portions of the *Seat Belt Assembly* fit as firmly as possible consistent with comfort.

Lithium battery



78RM10010

▲ WARNING

Do not ingest the battery, Chemical Burn Hazard

(The remote control supplied with) This product contains a coin/button cell battery. If the coin/button cell battery is swallowed, it can cause severe internal burns in just 2 hours and can lead to death.

Keep new and used batteries away from children. If the battery compartment does not close securely, stop using the product and keep it away from children. If you think batteries might have been swallowed or placed inside any part of the body, seek immediate medical attention.

For GCC countries

Technical data

1.2L

Max power : 61kW/6000 rpm

Max torque : 113Nm/4200 rpm

Max speed : 170km/h (2WD M/T)
160km/h (2WD CVT)

Airbag symbol meaning



52RS303

You may find this label on the sun visor.

▲ WARNING

NEVER use a rearward facing child restraint on a seat protected by an ACTIVE AIRBAG in front of it, DEATH or SERIOUS INJURY to the CHILD can occur.

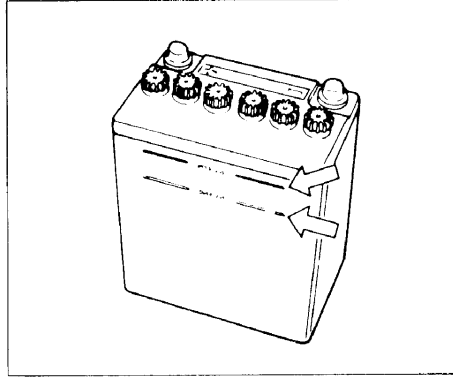
البطارية

بطارية بأغطية في الأعلى

احتياطات في إعادة شحن البطارية

حيث أن غاز الهيدروجين الملتهب يتولد في البطارية ويخرج منها عند الشحن، لهذا تأكد من اتباع الاجراءات أدناه قبل إعادة الشحن.

- ١- انزع المفتاح من مفتاح الاشعال وأوقف تشغيل كل الملحقات.
- ٢- افصل الكبل من الطرف السالب للبطارية اذا كانت البطارية في السيارة.
- ٣- انزع أغطية البطارية اذا كانت الأغطية مزودة وتيار الشحن الكهربائي هو ٦ أمبير أو أكثر. في هذه الحالة لا تتجاوز ١٥ أمبير. استعمل تياراً كهربائياً ٥ أمبير أو أقل حين عدم نزع الأغطية أو اذا كانت البطارية غير مزودة بالأغطية أصلاً.
- ٤- أوقف تشغيل الشاحن عند وصل وفصل كبلات الشاحن من البطارية.



يجب ابقاء مستوى مملول البطارية بين خطي المستوى العلوي "UPPER" والسفلي "LOWER" في كل الأوقات. اذا وجدت أن المستوى هو تحت خط المستوى "LOWER"، عندها أضف ماء مقطراً الى خط المستوى "UPPER". ينبغي أن تفحص دورياً البطارية وأطراف وصل البطارية ومسدن تثبيت البطارية بالنسبة للصدأ. أزل الصدأ مستعملاً فرشاة قاسية ونشادر ممزوجة بالماء، أو صودا الخبز الممزوجة بالماء. بعد ازالة الصدأ، اشطف بماء نظيف.

اذا كان لن يتم قيادة سيارتك لشهر أو أطول، عندها افصل الكبل من الطرف السالب للبطارية للمساعدة في منع التفريغ.

⚠ تحذير

تنتج البطاريات غاز الهيدروجين الملتهب. لهذا أبعد اللهب والشرر عن البطارية والا قد يحدث انفجار. كذلك لا تدخن أبداً حين العمل قرب البطارية.

⚠ تحذير

عند فحص أو صيانة البطارية، افصل الكبل السالب. احرص ألا تسبب دائرة قصر بترك أجسام معدنية تمس أقطاب البطارية والسيارة في نفس الوقت.

⚠ تحذير

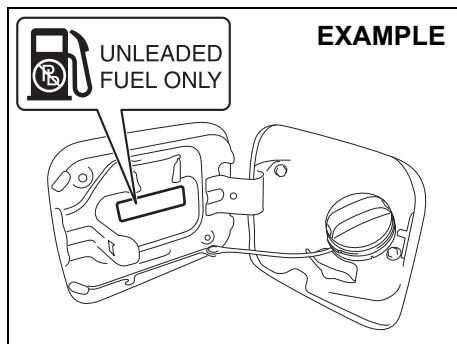
لتجنب الأذى الشخصي أو اتلاف السيارة أو البطارية، اتبع تعليمات بدء الحركة بكبلات العبور المذكورة في قسم خدمة الطوارئ من هذا الدليل اذا كان من الضروري بدء حركة السيارة بكبلات العبور.

⚠ تحذير

لا تشحن البطارية أبداً في مناطق محصورة مثل المراب. أبعد اللهب والشرر عن البطارية والا قد يحدث انفجار. كذلك لا تدخن أبداً حين العمل قرب البطارية.

For Chile and Panama

Fuel recommendation



K12M engine models

To avoid damaging the catalytic converter, you **must** use unleaded gasoline with an octane number (RON) of 91 or higher.

These vehicles are also identified by a label attached near the fuel filler pipe that states: "UNLEADED FUEL ONLY", "NUR UNVERBLEITES BENZIN", "ENDAST BLYFRI BENSIN" or "SOLO GASOLINA SIN PLOMO".

Gasoline-ethanol blends

Blends of unleaded gasoline and ethanol (grain alcohol), also known as gasohol, are commercially available in certain areas.

Blends of this type may be used in your vehicle if they are no more than 12% ethanol.

Check that this gasoline-ethanol blend has octane ratings no lower than those recommended for the gasoline.

NOTE:

If you are not satisfied with the driveability or fuel economy of your vehicle when you use a gasoline-alcohol blend, you should switch back to unleaded gasoline containing no alcohol.

NOTICE

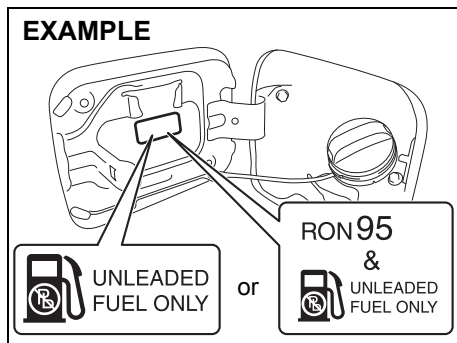
The fuel tank has an air space to allow for fuel expansion in hot weather. If you continue to add fuel after the filler nozzle has automatically shut off or an initial blowback occurs, the air chamber will become full. Exposure to heat when fully fuelled in this manner will result in leakage due to fuel expansion. To prevent such fuel leakage, stop filling after the filler nozzle has automatically shut off, or when initial vent blowback occurs, if using an alternative non-automatic system.

NOTICE

Be careful not to spill fuel containing alcohol while refueling. If fuel is spilled on the vehicle body, wipe it up immediately. Fuels containing alcohol can cause paint damage, which is not covered under the New Vehicle Limited Warranty.

For Mexico

Fuel recommendation



75RM304

Your vehicle requires regular unleaded gasoline with a minimum rating of 87 pump octane ((R + M)/2 method). In some areas, the only fuels that are available are oxygenated fuels.

Oxygenated fuels which meet the minimum octane requirement and the requirements described below may be used in your vehicle without jeopardizing the New Vehicle Limited Warranty.

NOTE:

Oxygenated fuels are fuels which contain oxygen-carrying additives such as MTBE or alcohol.

If the "RON 95" label is attached, you must use unleaded gasoline with a minimum rating of 91 pump octane ((R + M)/2 method).

Gasoline/Ethanol blends

Blends of unleaded gasoline and ethanol (grain alcohol), also known as gasohol, may be used in your vehicle if the ethanol content is not greater than 10%.

Fuel pump labeling

In some states, pumps that dispense oxygenated fuels are required to be labeled for the type and percentage of oxygenate and whether important additives are present. Such labels may provide enough information for you to determine if a particular blend of fuel meets the requirements listed above. In other areas, pumps may not be clearly labeled as to the content or type of oxygenate and additives. If you are not sure that the fuel you intend to use meets these requirements, check with the service station operator or the fuel supplier.

NOTE:

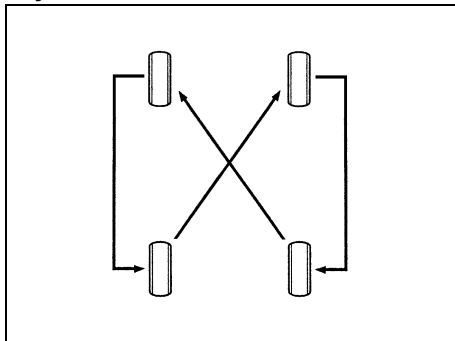
To help clean the air, SUZUKI recommends you use the oxygenated fuels. However, if you are not satisfied with the driveability or fuel economy of your vehicle when you are using an oxygenated fuel, switch back to the regular unleaded gasoline.

NOTICE

Be careful not to spill fuel containing alcohol while refueling. If fuel is spilled on the vehicle body, wipe it up immediately. Fuels containing alcohol can cause paint damage, which is not covered under the New Vehicle Limited Warranty.

Tyre rotation

4-tyre rotation



54G114

To avoid uneven wear of your tyres and to prolong their life, rotate the tyres as illustrated. Tyres should be rotated as recommended in the periodic maintenance schedule. After rotation, adjust front and rear tyre pressures to the specification listed on your vehicle's Tyre Information Label.

For Taiwan

Warning label meaning



61MS503

You may find this label on the sun visor.

▲ WARNING

DO NOT carry baby, infant and children on the front passenger seat. Otherwise, it is a violation of the legislation.

Your vehicle is equipped with the front passenger's airbag deactivation system. The front passenger's front airbag must be deactivated if a child restraint system is to be installed on the front passenger's seat.

Child restraint system

▲ CAUTION

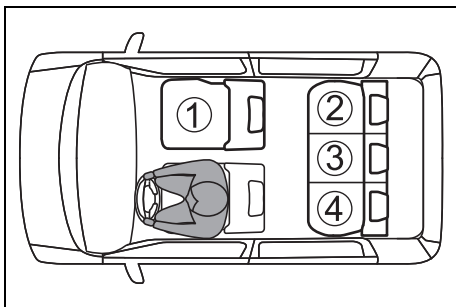
Adjust the height of the head restraint or remove it for fitting the child restraint, as necessary. However, if a booster cushion not equipped with the backrest or head restraint is fitted, the seat head restraint should not be removed. If the head restraint is removed for fitting the child restraint, you need to install it again after removing the child restraint.

If the child restraint is fitted improperly, a child sitting in it could be injured in a collision. (Refer to "Installation with lap/shoulder seat belts" section, "Installation with ISO-FIX type anchorages" section and "Installation of child restraint with top tether" section in this section for details.)

Child Restraint

The suitability of each passenger's seat position for carriage of children and fitting of child restraint system is shown in the table below.

Child restraint systems suitability for each seat position






83RS034

NOTE:

The above illustration shows Left handle drive vehicle.

Seat position number of ①, ②, ③ and ④ is same as Left handle drive vehicle for Right handle drive vehicle.

- ① Front passenger's seat
- ② Rear seat right side
- ③ Rear seat center
- ④ Rear seat left side

①	✗
②	U  
③	U
④	U  



It is suitable for universal category of child restraint system fixed with the vehicle seat belt.



It is suitable for i-Size and ISOFIX child restraint system.



This seat is equipped with Top tether anchorage point.



It is not suitable for child restraint system.

SUPPLEMENT

Detailed information for child restraint system

Seat position number	Seating position			
	①	②	③	④
Seating position suitable for universal belted (YES/NO)	NO	YES	YES	YES
i-Size seating position (YES/NO)	NO	YES	NO	YES
Seating position suitable for lateral fixture (L1/L2)	NO	X	NO	X
Suitable rear-facing fixture (R1/R2/R3)	NO	R1,R2,R3	NO	R1,R2,R3
Suitable front-facing fixture (F2X/F2/F3)	NO	F2X,F2,F3	NO	F2X,F2,F3

Key of letters to be inserted in the above table

YES =Suitable for this seating position

NO = Not suitable for this seating position

X =ISOFIX position is not suitable for ISOFIX child restraint systems in this fixture.

ISOFIX child restraint systems are divided into different mass group, size class and fixture.

The child restraint system can be used in the seating positions for fixture shown in the above table.

For mass group, size class and fixture, confirm the table of next page.

If your child restraint system has no size class (or if you cannot find information in the following table), refer to the child restraint system suitability information for the vehicle or ask the retailer of your child seat.

Mass group	Size class	Fixture	Description
0 (up to 10 kg)	F	L1	Left Lateral facing position Child Restraint Systems (carry-cot)
	G	L2	Right Lateral facing position Child Restraint Systems (carry-cot)
	E	R1	Rear-facing seat
0+ (up to 13kg)	E	R1	Rear-facing seat
	D	R2	Reduced-Size rear-facing toddler Child Restraint Systems
	C	R3	Full-Size rear-facing toddler Child Restraint Systems
I (9kg to 18kg)	D	R2	Reduced-Size rear-facing toddler Child Restraint Systems
	C	R3	Full-Size rear-facing toddler Child Restraint Systems
	B	F2	Reduced-Height front-facing toddler Child Restraint Systems
	B1	F2X	Reduced-Height front-facing toddler Child Restraint Systems
	A	F3	Full-Height front-facing toddler Child Restraint Systems
II (15kg to 25kg)	X	X	–
III (22kg to 36kg)	X	X	–

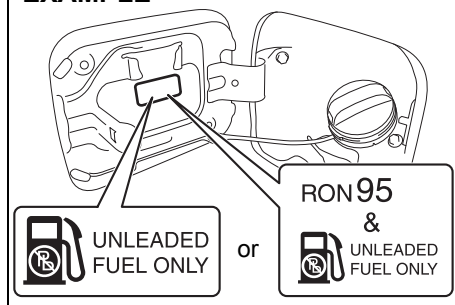
Key of letters to be inserted in the above table

X = There is no fixture for this mass group.

For Argentina

Fuel recommendation

EXAMPLE



75RM304

K12M engine models

To avoid damaging the catalytic converter, you **must** use unleaded gasoline with an octane number (RON) of 91 or higher (or 95 or higher if it is stated on the fuel filler lid).

These vehicles are also identified by a label attached near the fuel filler pipe that states: "UNLEADED FUEL ONLY", "NUR UNVERBLEITES BENZIN", "ENDAST BLYFRI BENSIN" or "SOLO GASOLINA SIN PLOMO".

If a "RON **95**" label is attached, you must use unleaded gasoline with an octane number (RON) of **95** or higher.

Gasoline-ethanol blends

Blends of unleaded gasoline and ethanol (grain alcohol), also known as gasohol, are commercially available in certain areas.

Blends of this type may be used in your vehicle if they are no more than 12% ethanol.

Check that this gasoline-ethanol blend has octane ratings no lower than those recommended for the gasoline.

NOTE:

If you are not satisfied with the driveability or fuel economy of your vehicle when you use a gasoline-alcohol blend, you should switch back to unleaded gasoline containing no alcohol.

NOTICE

The fuel tank has an air space to allow for fuel expansion in hot weather. If you continue to add fuel after the filler nozzle has automatically shut off or an initial blowback occurs, the air chamber will become full. Exposure to heat when fully fuelled in this manner will result in leakage due to fuel expansion. To prevent such fuel leakage, stop filling after the filler nozzle has automatically shut off, or when initial vent blowback occurs, if using an alternative non-automatic system.

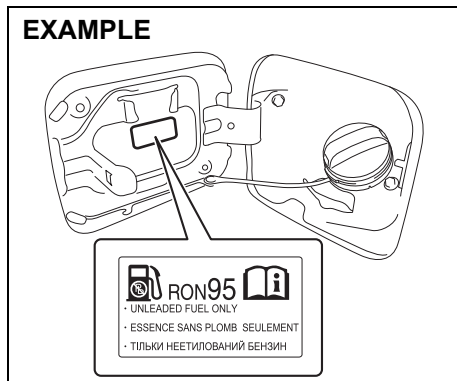
NOTICE

Be careful not to spill fuel containing alcohol while refueling. If fuel is spilled on the vehicle body, wipe it up immediately. Fuels containing alcohol can cause paint damage, which is not covered under the New Vehicle Limited Warranty.

For Ukraine

Gasoline engine

EXAMPLE



73S120010

To avoid damaging the catalytic converter, you **must** use unleaded gasoline with an octane number (RON) of 91 or higher (or 95 or higher if it is stated on the fuel filler lid), which comply with the European standard EN228. These vehicles are also identified by a label attached near the fuel filler pipe that states: “UNLEADED FUEL ONLY”, “ESSENCE SANS PLOMB SEULEMENT” or “ТІЛЬКИ НЕЕТИЛОВАНІЙ БЕНЗИН”.

Gasoline-ethanol blends

Blends of unleaded gasoline and ethanol (grain alcohol), also known as gasohol, are commercially available in certain areas. Blends of this type may be used in your vehicle if they are no more than 10% ethanol. Check that this gasoline-ethanol blend has octane ratings no lower than those recommended for the gasoline.

NOTE:

If you are not satisfied with the driveability or fuel economy of your vehicle when you use a gasoline-alcohol blend, you should switch back to unleaded gasoline containing no alcohol.

Gasoline containing MTBE (where legally available)

Unleaded gasoline containing MTBE (methyl tertiary butyl ether) may be used in your vehicle if the MTBE content is not greater than 15%. This oxygenated fuel does not contain alcohol.

NOTICE

The fuel tank has an air space to allow for fuel expansion in hot weather. If you continue to add fuel after the filler nozzle has automatically shut off or an initial blowback occurs, the air chamber will become full. Exposure to heat when fully fuelled in this manner will result in leakage due to fuel expansion. To prevent such fuel leakage, stop filling after the filler nozzle has automatically shut off, or when initial vent blowback occurs, if using an alternative non-automatic system.

NOTICE

Be careful not to spill fuel containing alcohol while refueling. If fuel is spilled on the vehicle body, wipe it up immediately. Fuels containing alcohol can cause paint damage, which is not covered under the New Vehicle Limited Warranty.

MEMO

INDEX

Symbols

“SET” indicator light 2-123

A

Accelerator pedal..... 3-12

Accessory socket 5-6

Adding coolant..... 7-29

Adjusting headlight pattern 2-127

AIR BAG light 2-62

Air cleaner 7-30

Air conditioner filter replacement 7-62

Air conditioning system 7-62

AIRBAG light 2-114

Airbag symbol meaning 12-3

AM/FM CD player 5-34

AM/FM/DAB CD player 5-34

Anti-lock brake system (ABS) 3-69, 3-71

Anti-lock brake system (ABS) warning light 2-112

Anti-theft feature 5-81

Assist grips 5-7

Audio system 5-34

Automatic headlight leveling system warning light 2-119

Automatic heating and air conditioning system

(climate control) 5-27

Auto-on headlight system..... 2-125

AUX function 5-65

AUX/USB socket 5-7

Average fuel consumption..... 2-82, 2-102

Average speed 2-82

B

Battery 7-43

Battery replacement..... 2-12, 2-15

Bluetooth® audio..... 5-76

Bluetooth® hands-free 5-67

Brake assist system..... 3-69

Brake discs and brake drums 7-39

Brake fluid..... 7-37

Brake pedal 3-12, 7-38

Brake system warning light 2-111

Brakes 7-37

Braking 3-68

Brightness control 2-77

Built date..... 12-1

Bulb replacement 7-52

C

Cable control clutch..... 7-36

Catalytic converter 4-1

Center console tray..... 5-9

Central door locking system 2-3

Changing engine oil and filter..... 7-26

Changing wheels..... 8-4

Charging light..... 2-114

Chassis serial number 10-1

Child restraint..... 12-1

Child restraint system for countries applied

for UN Regulation No.16–06..... 2-45

Child restraint system for countries applied

for UN Regulation No.16–08..... 2-51

Child restraint systems 2-43

Child-proof locks (rear door) 2-5

INDEX

Clock	2-81, 2-106
Clutch pedal	3-12, 7-36
Compact spare tyre	7-42
Continuously variable transmission (CVT)	3-18
Continuously variable transmission (CVT) fluid.....	7-33
Coolant level check	7-29
Coolant replacement	7-29
Corrosion prevention	9-1
Cruise control	3-41
Cruise indicator light.....	2-123
Cup holder and storage area	5-9
D	
Daily inspection checklist.....	3-1
Daytime running light.....	7-55
Daytime running light (D.R.L.) system.....	2-125
Dead lock system	2-4
Deceleration energy regenerating indicator light.....	2-122
Door locks	2-2
Drive belt	7-23
Drive mode indicator	2-85
Driver's seat belt reminder light / Front passenger's seat belt reminder light	2-114
Driving on hills.....	4-3
Driving on slippery roads	4-4
Driving range.....	2-82, 2-102
Driving time	2-82
Dual camera brake support	3-46
Dual camera brake support indicator light.....	2-118
Dual camera brake support OFF indicator light	2-118
Dual camera brake support OFF switch	3-54
Dual camera brake support warning light	2-123

E

Eco-Cool	3-41
Eco-driving display	2-87
Electric mirrors.....	2-24
Electric power steering light	2-117
Electric window controls	2-20
Electronic stability program (ESP®)	3-71
Emergency locking retractor (ELR).....	2-36
Emergency stop signal (ESS)	3-64
Energy flow indicator.....	2-82, 3-39
ENG A-STOP indicator light	2-122
ENG A-STOP OFF light	2-122
ENG A-STOP OFF switch	3-38
ENG A-STOP system (engine auto stop start system)	3-27
Engine coolant	7-28
Engine hood	5-2
Engine oil and filter.....	7-23
Engine oil consumption	3-2
Engine serial number.....	10-1
Engine switch	3-5
Engine switch illumination.....	3-7
Engine trouble: Flooded engine	8-13
Engine trouble: Overheating.....	8-14
Engine trouble: Starter does not operate	8-13
ESP® OFF indicator light	2-113, 3-72
ESP® OFF switch	3-73
ESP® warning light	2-112, 3-72
Exhaust gas warning	3-1

F

Flat tyre repair kit..... 8-6
 Floor mats 5-11
 Fluid level check 7-33
 Folding rear seats 2-31
 Footrest 5-11
 For Argentina 12-11
 For Australia..... 12-1
 For Chile and Panama 12-5
 For GCC countries 12-3
 For Mexico 12-6
 For Taiwan 12-7
 For Ukraine..... 12-12
 Frame hooks 5-13
 Front air bags 2-63
 Front bottle holder 5-10
 Front cup holders 5-10
 Front fog light 7-54
 Front fog light indicator light..... 2-119
 Front fog light switch 2-127
 Front passenger airbag deactivation system 2-72
 Front position light 7-56
 Front seat back pocket..... 5-10
 Front seat heater..... 2-28
 Front seats 2-27
 Front turn signal light..... 7-56
 Fuel consumption 2-82, 2-102
 Fuel filler cap..... 5-1
 Fuel gauge..... 2-77, 2-87, 2-101
 Fuel pump labeling 12-6
 Fuel recommendation 1-1, 12-5, 12-6, 12-11

Full wheel cover 8-5
 Fuses 7-47
 Fuses in engine compartment
 (for K12C and K12M engine model)..... 7-47
 Fuses in engine compartment
 (for K12D engine models)..... 7-48
 Fuses under dashboard 7-50
G
 Gasoline containing MTBE..... 1-1, 12-12
 Gasoline engine 1-1, 12-12
 Gasoline/Ethanol blends 12-6
 Gasoline-ethanol blends 1-1, 12-12
 Gear oil 7-34
 Gear oil change 7-36
 Gear oil level check..... 7-35
 Gear position 2-85
 Gearshift indicator 2-85, 2-101, 3-25
 Glove box..... 5-8
 Grip control switch 3-76
 Grip control system 3-76
 Guide me light 2-126
H
 Halogen headlights 7-53
 Hazard warning switch 2-133
 Head restraints 2-28, 2-30
 Headlight aiming 7-51
 Headlight leveling switch 2-131
 Heated rear window switch /
 Heated outside rearview mirror switch 2-137
 Heating and air conditioning system 5-16
 Heating system..... 5-18

INDEX

High engine coolant temperature warning light (red color)	2-117
Highway driving	4-3
Hill descent control indicator light.....	2-113, 3-75
Hill descent control switch	3-74
Hill descent control system	3-73
Hill hold control system	3-77
Horn	2-136
How ABS works	3-70
I	
I/S AC Settings	3-41
Idling stop time	2-87
Ignition key reminder	2-2
Ignition switch.....	3-3
Illumination indicator light.....	2-120
Immobilizer system	2-1
Immobilizer/keyless push start system warning light....	2-116
Improving fuel economy	4-2
Information display (instrument cluster with tachometer)	2-79
Information display (instrument cluster without tachometer)	2-101
Inside rearview mirror	2-23
Installation of child restraint with top tether.....	2-60
Installation of radio frequency transmitters.....	5-33
Installation with ISOFIX type anchorages	2-58
Installation with lap-shoulder seat belts	2-57
Instantaneous fuel consumption	2-82, 2-102
Instrument cluster	2-75
Interior light.....	5-5, 7-53
Interior workable area for engine starting.....	3-9

J	
Jacking instructions	8-1
Jump-starting instructions.....	8-10
K	
Keyless entry system transmitter.....	2-7, 2-13
Keyless push start system.....	3-6
Keyless push start system remote controller	2-7
Keys.....	2-1
L	
Lane departure warning indicator light.....	2-118
Lane departure warning OFF indicator light	2-119
Lane departure warning OFF switch	3-55
Lap-shoulder belt	2-36
Lead-acid battery	7-44
LED headlight warning light.....	2-120
LED headlights.....	7-53
License plate light.....	7-57
Light reminder buzzer.....	2-125
Lighting control lever	2-124
Lighting operation.....	2-124
Listening to a CD.....	5-51
Listening to an iPod.....	5-61
Listening to an MP3/WMA/AAC disc	5-54
Listening to files stored in a USB device.....	5-58
Listening to the radio.....	5-44, 5-46
Lithium-ion battery.....	3-28, 7-46
Low engine coolant temperature light (blue color).....	2-121
Low fuel warning light	2-116
Low tire pressure warning light.....	3-79
Low tyre pressure warning light.....	2-109
Luggage compartment cover.....	5-12

M

Main beam (high beam) indicator light 2-120
 Maintenance recommended under severe driving conditions
 (except for EU countries and Israel) 7-8
 Maintenance recommended under severe driving conditions
 (for EU countries and Israel)..... 7-18
 Maintenance schedule 7-2
 Malfunction indicator light..... 2-115
 Manual heating and air conditioning system..... 5-22
 Manual mode..... 3-22
 Manual mode indicator..... 2-85
 Manual transmission 3-17
 Manual transmission oil..... 7-34
 Manual window control 2-20
 Master warning indicator light..... 2-123
 Mirrors 2-23

N

Non-disassembled type lights..... 7-52

O

Odometer 2-86, 2-102
 Off-road driving..... 4-6
 Oil change request light 2-121
 Oil filter replacement 7-27
 Oil indicator 2-102
 Oil level check..... 7-25
 Oil pressure light 2-113
 Open door warning light 2-116
 Outside rearview mirror folding switch 2-24
 Outside rearview mirrors 2-24

P

Parking brake 7-39
 Parking brake lever 3-10
 Parking brake reminder buzzer..... 3-11
 Pedal..... 3-11
 Periodic maintenance schedule
 (except for EU countries and Israel)..... 7-3
 Periodic maintenance schedule
 (for EU countries and Israel) 7-13
 Pinching prevention function 2-22
 Power-assisted brakes 3-68

R

Radio antenna 5-33
 Raising vehicle with garage jack 8-3
 RDS (Radio Data System)..... 5-48
 Rear bottle holder 5-10
 Rear combination light 7-56
 Rear cup holder..... 5-10
 Rear differential oil..... 7-34
 Rear fog light 7-58
 Rear fog light indicator light 2-119
 Rear fog light switch 2-127
 Rear outside seat belt guide 2-40
 Rear seats 2-29
 Rear window wiper/washer switch 2-135
 Rearview camera..... 3-65
 Refill with oil and oil leakage check 7-28
 Refilling 7-25
 Remote audio controls 5-79
 Remote folding mirrors 2-25
 Replacement of the battery 7-45

INDEX

Replacing tyres and/or wheels	3-86	Stability control system.....	3-71
Reversing light.....	7-56	Starting / stopping engine (vehicle with keyless push start system)	3-13
Roof rails	5-12	Starting engine (vehicle without keyless push start system)	3-12
Running-in.....	4-1	Steering.....	7-40
S		Stereo camera	3-56
Seat adjustment	2-27, 2-29	Stuck vehicle	4-5
Seat belt inspection	2-41	Sun visor.....	5-4
Seat belt pretensioner system.....	2-41	Supplemental restraint system (airbags).....	2-61
Seat belt reminder	2-38	SUZUKI SAFETY SUPPORT	3-46
Seat belt warning	12-2	Switch of S-mode	3-21
Seat belts and child restraint systems	2-33	T	
Seat height adjustment lever.....	2-27	Tachometer.....	2-76
Seat position adjustment lever.....	2-27, 2-30	Tailgate.....	2-5
Seatback angle adjustment lever.....	2-27, 2-30	Temporary-use spare tyre (compact spare tyre).....	12-1
Selection of coolant.....	7-28	Theft deterrent alarm system	2-16
Selection of ignition modes.....	3-7	Theft deterrent light	2-19
Selector position.....	2-85, 2-101	Thermometer	2-81, 2-105
Setting mode	2-88, 2-107	Tilt steering lock lever	2-136
Shoulder anchor height adjuster	2-40	Total idling fuel saved	2-82
SHVS (Smart Hybrid Vehicle by Suzuki).....	3-39	Total idling stop time	2-82
Side airbags and side curtain airbags	2-67	Towing.....	8-12
Side door locks	2-2	Traction control system	3-71
Side turn signal light	7-54	Trailer hitch installation points.....	6-6
S-mode indicator	2-85, 2-101	Trailer towing.....	6-1
Snow chains	4-4	Transfer oil.....	7-34
Spark plugs	7-31	Transmission warning light	2-115
SPECIFICATIONS	11-1	Trip meter.....	2-85, 2-102
Specified fluid	7-33	Turn signal control lever	2-131
Specified oil.....	7-23	Turn signal indicators.....	2-120
Speed limiter	3-44		
Speedometer	2-76		

Turn signal operation	2-132
Tyre changing tool.....	8-1
Tyre inspection	7-41
Tyre pressure monitoring system (TPMS)	3-78
Tyre rotation	7-42
Tyres	7-40
U	
Using transmission	3-17
V	
Vehicle cleaning.....	9-2
Vehicle identification.....	10-1
Vehicle loading	6-1
W	
Warning and indicator lights	2-109
Warning and indicator messages	2-90, 3-63
Warning label meaning	12-7
Washing.....	9-4
Waxing.....	9-5
When encountering a flooded area.....	4-6
Windows	2-20
Windshield washer	2-134
Windshield washer fluid.....	7-61
Windshield wiper and washer lever	2-133
Windshield wipers	2-134
Wiper and washer operation.....	2-133
Wiper blades	7-58

For countries applied for the revised edition since the third edition of UN Regulation No.10

Installation of Radio Frequency (RF) Transmitting Equipment

Your vehicle is conformed to the revised edition since the third edition of UN Regulation No.10.

When you intend to use RF transmitting equipment in your vehicle, we strongly recommend that you select the equipment which conforms to applicable rules or regulations in your country, and consult your SUZUKI dealer or qualified service technician for advice.

Table : Installing and the use of the on-board RF transmitter equipment

Frequency bands (MHz)		Antenna position at vehicle*	Maximum output power (W)
144-146	Amateur band	<p style="text-align: right;">75RM342</p>	50
430-440	Amateur band		50
1200-1300	Amateur band		10

(1) Front

(2) Antenna installation position: Front left of roof

(3) Antenna installation position: Front right of roof

*The illustration is example of hatchback vehicle.

Specific conditions for installation

NOTE:

- 1) Antenna cable shall be routed as far as possible from the vehicle electronic devices and wiring harness in the vehicle.
- 2) Power cable of transmitter shall be properly connected to lead-acid battery on the vehicle.

NOTICE

Before using your vehicle, check if there is no interference to all electrical devices on your vehicle for both Standby mode and Transmitting mode of the RF transmitting equipment.

MODEL NAME : T61M0



MODEL NAME : K68P2



MODEL NAME : I68P0



MODEL NAME : K68P4



Model:R68P0/P74P0



Model:S180052024



Model:40398036



Model:R53R0



S180052024



TIS-15



40398036



DECLARATION of CONFORMITY

Approved by TRA

T61M0

TRA
REGISTERED No:
ER0117296/13
DEALER No:
DA0039842/10

I68P0

TRA
REGISTERED No:
ER36057/14
DEALER No:
DA0039842/10

K68P2

TRA
REGISTERED No:
ER37259/15
DEALER No:
DA0039842/10

K68P4

TRA
REGISTERED No:
ER37258/15
DEALER No:
DA0039842/10

DECLARATION of CONFORMITY

Approved by TRA

Model:K68PB

TRA
REGISTERED No:
ER39601/15
DEALER No:
DA39720/15

Model:R68P0

TRA
REGISTERED No:
ER39664/15
DEALER No:
0034163/10

Model:P74P0

TRA
REGISTERED No:
ER39663/15
DEALER No:
0034163/10

Model:K52RA

TRA
REGISTERED No:
ER44695/16
DEALER No:
DA39720/15

Model:R53R0

TRA
REGISTERED No:
ER45801/16
DEALER No:
0034163/10

S180052024

TRA

REGISTERED No:
ER60911/18

DEALER No:
DA36975/14

TIS-15

TRA

REGISTERED No:
ER59583/17

DEALER No:
DA36975/14

40398036

TRA

REGISTERED No:
ER38555/15

DEALER No:
DA36975/14

DECLARATION of CONFORMITY

Approved by TRA

TRA

REGISTERED
ER45345/16

No :

DEALER
DA0052708/10

No :

DECLARATION of CONFORMITY

Approved by OMAN-TRA

T61M0

OMAN-TRA
R/0952/13
D100428

I68P0

OMAN-TRA
R/2142/14
D100428

K68P2

OMAN-TRA
R/2392/15
D100428

K68P4

OMAN-TRA
R/2391/15
D100428

DECLARATION of CONFORMITY

Approved by OMAN-TRA

Model:K68PB

OMAN - TRA

R/2350/15
D100428

Model:R68P0

OMAN - TRA

R/1968/14
D100428

Model:P74P0

OMAN - TRA

R/1970/14
D100428

Model:K52RA

OMAN - TRA

R/3151/16
D090024

Model:R53R0

OMAN - TRA

R/3294/16
D090024

S180052024

OMAN-TRA
R/1293/10
D090258

TIS-15

OMAN-TRA
R/4948/17
D100428

40398036

OMAN-TRA
R/1445/10
D090258

DECLARATION of CONFORMITY

Approved by OMAN-TRA

OMAN-TRA

R/3086/16

D090024

MODEL No. : T61M0

51-38184 מספר אישור אלחוטי של משרד התקשורת הוא
אסור להחליף את האנטנה המקורית של המכשיר ולא
לעשות בו כל שינוי טכני אחר

MODEL No. : I68P0

51-46103 מספר אישור אלחוטי של משרד התקשורת הוא
אסור להחליף את האנטנה המקורית של המכשיר ולא
לעשות בו כל שינוי טכני אחר

MODEL No. : K68P2

51-47835 מספר אישור אלחוטי של משרד התקשורת הוא
אסור להחליף את האנטנה המקורית של המכשיר ולא
לעשות בו כל שינוי טכני אחר

MODEL No. : K68P4

51-47836 מספר אישור אלחוטי של משרד התקשורת הוא
אסור להחליף את האנטנה המקורית של המכשיר ולא
לעשות בו כל שינוי טכני אחר

- א. השימוש במכשיר הינו על בסיס "משני" ופטור מרשיון הפעלה אלחוטי.
כלומר – לא מוגן מהפרעות וללא הפרעה למערכות אחרות הפועלות כדין.
- ב. רק "בפעולת בזק" לשימוש עצמי של הלקוח בלבד, הציוד פטור מרשיון הפעלה אלחוטי.
מתן "שרות בזק" לצד ג' מחייב רשיון מיוחד ממשרד התקשורת.
- ג. אסור להחליף את האנטנה המקורית של המכשיר, ולא לעשות בו כל שינוי טכני אחר.

Israel

Model: R68P0

מספר אישור אלחוטי של משרד התקשורת הוא 51-44325
אסור להחליף את האנטנה המקורית של המכשיר ולא
לעשות בו כל שינוי טכני אחר

Model: K68PB

מספר אישור אלחוטי של משרד התקשורת הוא 51-47090
אסור להחליף את האנטנה המקורית של המכשיר ולא
לעשות בו כל שינוי טכני אחר

Model: R53R0

מספר אישור אלחוטי של משרד התקשורת הוא 50-20345
אסור להחליף את האנטנה המקורית של המכשיר ולא
לעשות בו כל שינוי טכני אחר

Model: K52RA

מספר אישור אלחוטי של משרד התקשורת הוא 51-53936
אסור להחליף את האנטנה המקורית של המכשיר ולא
לעשות בו כל שינוי טכני אחר

Model: P74P0

מספר אישור אלחוטי של משרד התקשורת הוא 51-44323
אסור להחליף את האנטנה המקורית של המכשיר ולא
לעשות בו כל שינוי טכני אחר

DECLARATION of CONFORMITY

MARCA: Panasonic

MODELO: AZ1601

COFETEL

RCPPAAZ16-0312



La operación de este equipo está sujeta a las siguientes dos condiciones: (1) es posible que este equipo o dispositivo no cause interferencia perjudicial y (2) este equipo o dispositivo debe aceptar cualquier interferencia, incluyendo la que pueda causar su operación no deseada.

DECLARATION of CONFORMITY

Marca : SUZUKI
Modelo : T61M0
Origen : THAILAND

CNC COMISIÓN NACIONAL
DE **COMUNICACIONES**

H-17332

Model:K68PB

AGREE PAR L'ANRT MAROC

Numéro d'agrément: MR 9992 ANRT 2015
Date d'agrément: 19/01/2015

Model:K52RA

AGRÉÉ PAR L'ANRT MAROC

Numéro d'agrément: MR 11480 ANRT 2016
Date d'agrément: 24/02/2016

Model:R68P0

AGREE PAR L'ANRT MAROC

Numéro d'agrément: MR 9326 ANRT 2014
Date d'agrément: 02/06/2014

Model:R53R0

AGRÉÉ PAR L'ANRT MAROC

Numéro d'agrément: MR 11743 ANRT 2016
Date d'agrément: 13/04/2016

Model:P74P0

AGREE PAR L'ANRT MAROC

Numéro d'agrément: MR 9352 ANRT 2014
Date d'agrément: 10/06/2014

I68P0

AGRÉÉ PAR L'ANRT MAROC
Numéro d'agrément MR 9603 ANRT 2014

T61M0

AGRÉÉ PAR L'ANRT MAROC
Numéro d'agrément MR 7816 ANRT2013

K68P2

AGRÉÉ PAR L'ANRT MAROC
Numéro d'agrément MR 10015 ANRT 2015

K68P4

AGRÉÉ PAR L'ANRT MAROC
Numéro d'agrément MR 10014 ANRT 2015

S180052024

AGREE PAR L'ANRT MAROC

Numéro d'agrément : MR 17719 ANRT 2018

Date d'agrément : 16/10/2018

TIS-15

AGREE PAR L'ANRT MAROC

Numéro d'agrément : MR 17386 ANRT 2018

Date d'agrément : 30/08/2018

40398036

AGREE PAR L'ANRT MAROC

Numéro d'agrément : MR 5837 ANRT 2010

Date d'agrément : 08/10/2010

第十二條

經型式認證合格之低功率射頻電機，非經許可，公司、商號或使用者均不得擅自變更頻率、加大功率或變更原設計之特性及功能。

第十四條

低功率射頻電機之使用不得影響飛航安全及干擾合法通信；經發現有干擾現象時，應立即停用，並改善至無干擾時方得繼續使用。

前項合法通信，指依電信法規定作業之無線電通信。

低功率射頻電機須忍受合法通信或工業、科學及醫療用電波輻射性電機設備之干擾。



CalsonicKansei Corp.
2-1917, Nishin-cho, Kita-ku, Saitama-shi, Saitama-ken, 331-8501, Japan
TEL : +81-48-660-4073 FAX : +81-48-661-1050

[Czech]	Calsonic Kansei Corp. tímto prohlašuje, že K68P2/K68P4/T61M0/I68P0 splňuje základní požadavky a všechna příslušná ustanovení Směrnice 1999/5/ES.
[Danish]	Undertegnede Calsonic Kansei Corp. erklærer herved, at følgende udstyr K68P2/K68P4/T61M0/I68P0 overholder de væsentlige krav og øvrige relevante krav i direktiv 1999/5/EF.
[German]	Hiermit erklärt Calsonic Kansei Corp., dass sich das Gerät K68P2/K68P4/T61M0/I68P0 in Übereinstimmung mit den grundlegenden Anforderungen und den übrigen einschlägigen Bestimmungen der Richtlinie 1999/5/EG befindet.
[Estonian]	Käesolevaga kinnitab Calsonic Kansei Corp. seadme K68P2/K68P4/T61M0/I68P0 vastavust direktiivi 1999/5/EÜ põhinõuetele ja nimetatud direktiivist tulenevatele teistele asjakohastele
[English]	Hereby, Calsonic Kansei Corp. , declares that this K68P2/K68P4/T61M0/I68P0 is in compliance with the essential requirements and other relevant provisions of Directive 1999/5/EC.
[Spanish]	Por la presente, Calsonic Kansei Corp., declara que este K68P2/K68P4/T61M0/I68P0 cumple con los requisitos esenciales y otras exigencias relevantes de la Directiva 1999/5/EC.
[Greek]	ME THN ΠΑΡΟΥΣΑ Calsonic Kansei Corp. ΔΗΛΩΝΕΙ ΟΤΙ Κ68P2/Κ68P4/Τ61M0/Ι68P0 ΣΥΜΜΟΡΦΩΝΕΤΑΙ ΠΡΟΣ ΤΙΣ ΟΥΣΙΩΔΕΙΣ ΑΠΑΙΤΗΣΕΙΣ ΚΑΙ ΤΙΣ ΛΟΙΠΕΣ ΣΧΕΤΙΚΕ Σ ΔΙΑΤΑΞΕΙΣ ΤΗΣ ΟΔΗΓΙΑΣ 1999/5/ΕΚ.
[French]	Par la présente, Calsonic Kansei Corp. déclare que l'appareil K68P2/K68P4/T61M0/I68P0 est conforme aux exigences essentielles et aux autres dispositions pertinentes de la directive 1999/5/CE.
[Italian]	Con la presente Calsonic Kansei Corp. dichiara che questo K68P2/K68P4/T61M0/I68P0 è conforme ai requisiti essenziali ed alle altre disposizioni pertinenti stabilite dalla direttiva 1999/5/CE.
[Latvian]	Ar šo Calsonic Kansei Corp. deklarē, ka K68P2/K68P4/T61M0/I68P0 atbilst Direktīvas 1999/5/EK būtiskajām prasībām un citiem ar to saistītajiem noteikumiem.
[Lithuanian]	Šiuo Calsonic Kansei Corp. deklaruoją, kad šis K68P2/K68P4/T61M0/I68P0 atitinka esminius reikalavimus ir kitas 1999/5/EB Direktyvos nuostatas.
[Dutch]	Hierbij verklaart Calsonic Kansei Corp. dat het toestel K68P2/K68P4/T61M0/I68P0 in overeenstemming is met de essentiële eisen en de andere relevante bepalingen van richtlijn 1999/5/EG.
[Maltese]	Hawnhekk, Calsonic Kansei Corp. , jidkijjara li dan K68P2/K68P4/T61M0/I68P0 jikkonforma mal-htgijiet essenzjali u ma provvedimenti oħrajn rilevanti li hemm fid-Direttiva 1999/5/EC.
[Hungarian]	A Calsonic Kansei Corp. ezzenel kijelenti, hogy a K68P2/K68P4/T61M0/I68P0 típusú berendezés teljesíti az alapvető követelményeket és más 1999/5/EK irányelvben meghatározott vonatkozó rendelkezéseket.
[Polish]	Niniejszym Calsonic Kansei Corp. deklaruje że K68P2/K68P4/T61M0/I68P0 jest zgodny z zasadniczymi wymaganiami i innymi właściwymi postanowieniami Dyrektywy 1999/5/EC.
[Portuguese]	Eu, Calsonic Kansei Corp., declaro que o K68P2/K68P4/T61M0/I68P0 cumpre os requisitos essenciais e outras provisões relevantes da Directiva 1999/5/EC.
[Slovenian]	Calsonic Kansei Corp. izjavlja, da je ta K68P2/K68P4/T61M0/I68P0 v skladu z bistvenimi zahtevami in drugimi relevantnimi določili direktive 1999/5/ES.
[Slovak]	Calsonic Kansei Corp. týmto vyhlasuje, že K68P2/K68P4/T61M0/I68P0 spĺňa základné požiadavky a všetky príslušné ustanovenia Smernice 1999/5/ES.
[Finnish]	Calsonic Kansei Corp. vakuuttaa täten että K68P2/K68P4/T61M0/I68P0 tyyppinen laite on direktiivin 1999/5/EY oleellisten vaatimusten ja sitä koskevien direktiivin muiden ehtojen mukainen.
[Swedish]	Härmed intygar Calsonic Kansei Corp. att denna K68P2/K68P4/T61M0/I68P0 står i överensstämmelse med de väsentliga egenskapskrav och övriga relevanta bestämmelser som framgår av direktiv 1999/5/EG.
[Icelandic]	Hér með lýsir Calsonic Kansei Corp. yfir því að K68P2/K68P4/T61M0/I68P0 er í samræmi við grunnkröfur og aðrar kröfur, sem gerðar eru í tilskipun 1999/5/EC.
[Norwegian]	Calsonic Kansei Corp. erklærer herved at utstyret K68P2/K68P4/T61M0/I68P0 er i samsvar med de grunnleggende krav og øvrige relevante krav i direktiv 1999/5/EF.
[Turkish]	İşbu belge ile Calsonic Kansei Corp. , bu K68P2/K68P4/T61M0/I68P0' in 1995/5/EC Yönetmeliği esas gereksinimlerine ve diğer şartlarına uygun olduğunu beyan eder.
[Romanian]	Prin prezenta, Calsonic Kansei Corp., declară că aparatul K68P2/K68P4/T61M0/I68P0 este în conformitate cu cerințele esențiale și cu alte prevederi pertinente ale Directivei 1999/5/CE..
[Bulgarian]	С настоящето, Calsonic Kansei Corp., декларира, че K68P2/K68P4/T61M0/I68P0 е в съответствие със съществените изисквания и другитеприложими разпоредби на Директива 1999/5/EC.
[Croatian]	Ovime Calsonic Kansei Corp. izjavljuje da je ovaj K68P2/K68P4/T61M0/I68P0 je u skladu s osnovnim zahtjevima i drugim relevantnim odredbama Direktive 1999/5/EC.
[Cmogorski jezik]	Ovim putem, kompanija, Calsonic Kansei Corp. izjavljuje da je ovaj proizvod K68P2/K68P4/T61M0/I68P0 u skladu sa osnovnim zahtjevima i drugim relevantnim odredbama direktive 1999/5/EC.
[Macedonian]	Со ова, Calsonic Kansei Корп, изјавува дека овој K68P2 / K68P4 / T61M0 / I68P0 е во согласност со суштинските барања и другите релевантни одредби од Директивата 1999/5 / EC.

CAUTION - Danger of explosion if battery is incorrectly replaced. Replace only with the same or equivalent type.
CAUTION - Do not exposed to excessive heat such as sunshine, fire or the like.



[English]	Hereby, Sumitomo Wiring Systems, Ltd., declares that this K68PB is in compliance with the essential requirements and other relevant provisions of Directive 1999/5/EC. Copy of the Declaration of Conformity is available from the following locations. address: Electronics Design Department3 Electronics Division Electronics Group Sumitomo Wiring Systems, Ltd. 1820, Nakanoko, Mikkaichi-cho, Suzuka, Mie 513-8631 Japan
[Dutch]	Herbij verklaart Sumitomo Wiring Systems, Ltd. dat het toestel K68PB in overeenstemming is met de essentiële eisen en de andere relevante bepalingen van richtlijn 1999/5/EG. Exemplaar van de conformiteitsverklaring is beschikbaar op de volgende locaties. adres: Electronics Design Department3 Electronics Division Electronics Group Sumitomo Wiring Systems, Ltd. 1820, Nakanoko, Mikkaichi-cho, Suzuka, Mie 513-8631 Japan
[German]	Hiermit erklärt Sumitomo Wiring Systems, Ltd., dass sich das Gerät K68PB in Übereinstimmung mit den grundlegenden Anforderungen und den übrigen einschlägigen Bestimmungen der Richtlinie 1999/5/EG. Kopie der Konformitätserklärung finden Sie unter den folgenden Adressen. adresse: Electronics Design Department3 Electronics Division Electronics Group Sumitomo Wiring Systems, Ltd. 1820, Nakanoko, Mikkaichi-cho, Suzuka, Mie 513-8631 Japan
[French]	Par la présente, Sumitomo Wiring Systems, Ltd. déclare que l'appareil K68PB est conforme aux exigences essentielles et autres dispositions pertinentes de la directive 1999/5/CE. Copie de la déclaration de conformité est disponible à partir des emplacements suivants. adresse: Electronics Design Department3 Electronics Division Electronics Group Sumitomo Wiring Systems, Ltd. 1820, Nakanoko, Mikkaichi-cho, Suzuka, Mie 513-8631 Japan
[Spanish]	Por la presente, Sumitomo Wiring Systems, Ltd., declara que este K68PB cumple con los requisitos esenciales y otras exigencias relevantes de la Directiva 1999/5/CE. Copia de la declaración de conformidad está disponible en los siguientes lugares. dirección: Electronics Design Department3 Electronics Division Electronics Group Sumitomo Wiring Systems, Ltd. 1820, Nakanoko, Mikkaichi-cho, Suzuka, Mie 513-8631 Japan
[Bulgarian]	С настоящото, Sumitomo Wiring Systems, Ltd., декларира, че K68PB е в съответствие със съществените изисквания и другите приложими разпоредби на Директивата 1999/5/ЕК. Копие от декларацията за съответствие от предлата от следните места. адрес: Electronics Design Department3 Electronics Division Electronics Group Sumitomo Wiring Systems, Ltd. 1820, Nakanoko, Mikkaichi-cho, Suzuka, Mie 513-8631 Япония
[Greek]	Με την παρούσα ο κατασκευαστής Sumitomo Wiring Systems, Ltd. δηλώνει ότι K68PB συμμορφώνεται προς τις ουσιώδεις απαιτήσεις και τις λοιπές σχετικές διατάξεις της οδηγίας 1999/5/ΕΚ. Αντίγραφο της δήλωσης συμμόρφωσης είναι διαθέσιμο από τις ακόλουθες θέσεις. διεύθυνση: Electronics Design Department3 Electronics Division Electronics Group Sumitomo Wiring Systems, Ltd. 1820, Nakanoko, Mikkaichi-cho, Suzuka, Mie 513-8631 Ιαπωνία
[Czech]	Sumitomo Wiring Systems, Ltd. tímto prohlašuje, že K68PB splňuje základní požadavky a všechna příslušná ustanovení Směrnice 1999/5/ES. Kopii prohlášení o shodě je k dispozici v následujících umístěních. adresa: Electronics Design Department3 Electronics Division Electronics Group Sumitomo Wiring Systems, Ltd. 1820, Nakanoko, Mikkaichi-cho, Suzuka, Mie 513-8631 Japonsko
[Danish]	Underrettede Sumitomo Wiring Systems, Ltd. Erklærer herved, at følgende udstyr K68PB overholder de væsentlige krav og øvrige relevante krav i direktiv 1999/5/EF. Kopii af overensstemmelseserklæring er tilgængelig fra følgende placeringer. adresse: Electronics Design Department3 Electronics Division Electronics Group Sumitomo Wiring Systems, Ltd. 1820, Nakanoko, Mikkaichi-cho, Suzuka, Mie 513-8631 Japan
[Italian]	Con la presente, Sumitomo Wiring Systems, Ltd. dichiara che questo K68PB è conforme ai requisiti essenziali ed alle altre disposizioni pertinenti stabilite dalla direttiva 1999/5/CE. Copia della dichiarazione di conformità è disponibile nei seguenti siti. indirizzo: Electronics Design Department3 Electronics Division Electronics Group Sumitomo Wiring Systems, Ltd. 1820, Nakanoko, Mikkaichi-cho, Suzuka, Mie 513-8631 Giappone
[Portuguese]	Eu, Sumitomo Wiring Systems, Ltd., declaro que o K68PB cumpre os requisitos essenciais e outras provisões relevantes da Directiva 1999/5/CE. Cópia da Declaração de Conformidade está disponível nos seguintes locais. endereço: Electronics Design Department3 Electronics Division Electronics Group Sumitomo Wiring Systems, Ltd. 1820, Nakanoko, Mikkaichi-cho, Suzuka, Mie 513-8631 Japão
[Finnish]	Sumitomo Wiring Systems, Ltd. vakuuttaa täten että K68PB tyyppinen laite on direktiivin 1999/5/EY oleellisten vaatimusten ja sitä koskevien direktiivin muiden ehtojen mukainen. Kopio Vaatimustenmukaisuusvakuutus on saatavilla seuraavissa paikoissa. osoite: Electronics Design Department3 Electronics Division Electronics Group Sumitomo Wiring Systems, Ltd. 1820, Nakanoko, Mikkaichi-cho, Suzuka, Mie 513-8631 Japani
[Swedish]	Härmed Sumitomo Wiring Systems, Ltd., att denna K68PB står i överensstämmelse med de väsentliga egenskapskrav och övriga relevanta bestämmelser som framgår av direktiv 1999/5/EC. Kopia av försäkran om överensstämmelse finns tillgänglig från följande platser. adress: Electronics Design Department3 Electronics Division Electronics Group Sumitomo Wiring Systems, Ltd. 1820, Nakanoko, Mikkaichi-cho, Suzuka, Mie 513-8631 Japan
[Polish]	Niniejszym, Sumitomo Wiring Systems, Ltd. deklaruje że K68PB jest zgodny z zasadniczymi wymaganiami i innymi właściwymi postanowieniami Dyrektywy 1999/5/CE. Kopia deklaracji zgodności jest dostępna w następujących lokalizacjach. adres: Electronics Design Department3 Electronics Division Electronics Group Sumitomo Wiring Systems, Ltd. 1820, Nakanoko, Mikkaichi-cho, Suzuka, Mie 513-8631 Japonia
[Hungarian]	Sumitomo Wiring Systems, Ltd. ezennel kijelenti, hogy a K68PB típusú berendezés teljesíti az alapvető követelményeket és más 1999/5/EC irányelvben meghatározott vonatkozó rendelkezéseket. Pékányt a megfeleléségi nyilatkozat elérhető a következő helyeken. cim: Electronics Design Department3 Electronics Division Electronics Group Sumitomo Wiring Systems, Ltd. 1820, Nakanoko, Mikkaichi-cho, Suzuka, Mie 513-8631 Japan
[Slovak]	Sumitomo Wiring Systems, Ltd. týmto vyhlasuje, že K68PB spĺňa základné požiadavky a všetky príslušné ustanovenia Smernice 1999/5/ES. Kópia vyhlásenia o zhode je k dispozícii v nasledujúcich umiestneniach. adresa: Electronics Design Department3 Electronics Division Electronics Group Sumitomo Wiring Systems, Ltd. 1820, Nakanoko, Mikkaichi-cho, Suzuka, Mie 513-8631 Japonsko
[Slovenian]	Sumitomo Wiring Systems, Ltd. izjavlja, da je ta K68PB v skladu z bistvenimi zahtevami in drugimi relevantnimi določili direktive 1999/5/ES. Kopijo izjavo o skladnosti je na voljo na naslednjih lokacijah. naslov: Electronics Design Department3 Electronics Division Electronics Group Sumitomo Wiring Systems, Ltd. 1820, Nakanoko, Mikkaichi-cho, Suzuka, Mie 513-8631 Japonska
[Estonian]	Käesolevaga kinnitab Sumitomo Wiring Systems, Ltd. seadme K68PB vastavust direktiivi 1999/5/EÜ põhinõuetele ja nimetatud direktiivis tulenevatele teistele asjakohastele sätetele. Kopia vastavusdeklaratsioon on saadaval järgmistes kohtades. address: Electronics Design Department3 Electronics Division Electronics Group Sumitomo Wiring Systems, Ltd. 1820, Nakanoko, Mikkaichi-cho, Suzuka, Mie 513-8631 Japan
[Latvian]	Ar šo Sumitomo Wiring Systems, Ltd. deklarā, ka K68PB atbilst Direktīvas 1999/5/EK būtiskajām prasībām un citiem ar to sastipstajiem noteikumiem. Kopija atbilstības deklarācija ir pieejama no šādām vietām. adrese: Electronics Design Department3 Electronics Division Electronics Group Sumitomo Wiring Systems, Ltd. 1820, Nakanoko, Mikkaichi-cho, Suzuka, Mie 513-8631 Japan
[Lithuanian]	Šiuo Sumitomo Wiring Systems, Ltd. deklaruoją, kad šis K68PB atitinka esminius reikalavimus ir kitas 1999/5/EB Direktyvos nuostatas. Kopijoti Atitikimo deklaracijos yra iš šių vietų. adresas: Electronics Design Department3 Electronics Division Electronics Group Sumitomo Wiring Systems, Ltd. 1820, Nakanoko, Mikkaichi-cho, Suzuka, Mie 513-8631 Japonija
[Romanian]	Prin prezenta, Sumitomo Wiring Systems, Ltd., declară că aparatul K68PB este în conformitate cu cerințele esențiale și cu alte prevederi pertinente ale Directivei 1999/5/CE. Copia a declarației de conformitate este disponibilă în următoarele locații. adresa: Electronics Design Department3 Electronics Division Electronics Group Sumitomo Wiring Systems, Ltd. 1820, Nakanoko, Mikkaichi-cho, Suzuka, Japonia Mie 513-8631
[Croatian]	Ovimе, Sumitomo Wiring Systems, Ltd. izjavljuјe da je ovaj K68PB je u skladu s osnovnim zahtjevima i drugim relevantnim odredbama Direktive 1999/5/EC. Kopiju izjave o skladnosti dostupna je na sljedećem mjestu. adresa: Electronics Design Department3 Electronics Division Electronics Group Sumitomo Wiring Systems, Ltd. 1820, Nakanoko, Mikkaichi-cho, Suzuka, Mie 513-8631 Japan
[Icelandic]	Sumitomo Wiring Systems, Ltd., því að K68PB er í samræmi við grunnkröfur og aðrar kröfur sem gerðar eru í tilkupun 1999/5/EC. Eftirskot til yfirlýsingu um samræmi er að finna á eftirlitarskiðum. netfang: Electronics Design Department3 Electronics Division Electronics Group Sumitomo Wiring Systems, Ltd. 1820, Nakanoko, Mikkaichi-CHO, Suzuka, Mie 513-8631 Japan
[Norwegian]	Hermed Sumitomo Wiring Systems, Ltd., erklærer at dette K68PB er i samsvar med de grunnleggende krav og øvrige relevante krav i direktiv 1999/5/EF. Kopii av samsvarserklæringen er tilgjengelig på følgende steder. adresse: Electronics Design Department3 Electronics Division Electronics Group Sumitomo Wiring Systems, Ltd. 1820, Nakanoko, Mikkaichi-cho, Suzuka, Mie 513-8631 Japan
[Macedonian]	Со ова, Sumitomo Wiring Systems, Ltd., изјавува дека овој K68PB е во соодност со суштинските барања и другите релевантни одредби од Директивата 1999/5/EC. Копија од Декларацијата за соодност е на располагање од следниве локации. адреса: Electronics Design Department3 Electronics Division Electronics Group Sumitomo Wiring Systems, Ltd. 1820, Nakanoko, Mikkaichi-Cho, Оцука, Mie 513-8631 Јапонија
[Turkish]	Bu vesile ile, Sumitomo Wiring Systems, Ltd., bu K68PB ünitemininin temel şartlarına ve 1999/5/EC diğer ilgili hükümlerinin uygulan oludununa beyan eder. Uygunluk Bildirimi'nin Kopyası aşağıdaki konumlardan edinilebilir. Adres: Electronics Design Department3 Electronics Division Electronics Group Sumitomo Wiring Systems, Ltd. 1820, Nakanoko, Mikkaichi-cho, Suzuka, Mie 513-8631 Japonya
[Omogovorni jezik]	Ovimе, Sumitomo Wiring Systems, Ltd., proglašuje da je ovaj K68PB je u skladu sa suštinskim uslov i druge relevantne odredbe direktive 1999/5/EC. Kopija deklaracije skladom je na raspolaganju iz sljedeće lokacije. adresa: Electronics Design Department3 Electronics Division Electronics Group Sumitomo Wiring Systems, Ltd. 1820, Nakanoko, Mikkaichi-cho, Suzuka, Mie 513-8631 Japan



CAUTION - Danger of explosion if battery is incorrectly replaced. Replace only with the same or equivalent type.
CAUTION - Do not expose to excessive heat such as sunlight, fire or the like.

[English]	Hereby, ALPS ELECTRIC CO.,LTD., declares that this R68P0P74P0 is in compliance with the essential requirements and other relevant provisions of Directive 1999/5/EC. Copy of the Declaration of Conformity is available from the following locations. address:Engineering Dept.MS,ALPS ELECTRIC CO.,LTD. 6-3-36, Nakazato, Furukawa, Osaka-city, Miyagi-pref, 989-6181, Japan
[Dutch]	Hierbij verklaart ALPS ELECTRIC CO.,LTD., dat het toestel R68P0P74P0 in overeenstemming is met de essentiële eisen en de andere relevante bepalingen van richtlijn 1999/5/EG. Exemplaar van de conformiteitsverklaring is beschikbaar op de volgende locaties. adres:Engineering Dept.MS,ALPS ELECTRIC CO.,LTD. 6-3-36, Nakazato, Furukawa, Osaka-city, Miyagi-pref, 989-6181, Japan
[German]	Hiermit erkläre ALPS ELECTRIC CO.,LTD., dass auch das Gerät R68P0P74P0 in Übereinstimmung mit den grundlegenden Anforderungen und den übrigen einschlägigen Bestimmungen der Richtlinie 1999/5/EG. Kopie der Konformitätserklärung finden Sie unter den folgenden Adressen. adresse: Ingenieur Dept.MS,ALPS ELECTRIC CO.,LTD. 6-3-36, Nakazato, Furukawa, Osaka-Stadt, Miyagi-pref, 989-6181, Japan
[French]	Par la présente, ALPS ELECTRIC CO.,LTD., déclare que l'appareil R68P0P74P0 est conforme aux exigences essentielles et autres dispositions pertinentes de la directive 1999/5/CE.Copie de la déclaration de conformité est disponible à partir des emplacements suivants. adresse: Ingénierie Dept.MS,ALPS ELECTRIC CO.,LTD. 6-3-36, Nakazato, Furukawa, Osaka-ville, Miyagi-pref, 989-6181, Japon
[Spanish]	Por la presente, ALPS ELECTRIC CO.,LTD., declara que este R68P0P74P0 cumple con los requisitos esenciales y otras exigencias relevantes de la Directiva 1999/5/CE. Copia de la declaración de conformidad está disponible en los siguientes lugares. dirección: Ingeniería Dept.MS, ALPS ELECTRIC CO., LTD. 6-3-36, Nakazato, Furukawa, Osaka-ciudad, Miyagi-pref, 989-6181, Japón
[Bulgarian]	С настоящото ALPS ELECTRIC CO.,LTD., декларира, че R68P0P74P0 е в съответствие със съществениите изисквания и другите приложими разпоредби на Директивата 1999/5/ЕО. Копие от декларацията за съответствие се предлага от следните места. адрес:Engineering Dept.MS,ALPS ELECTRIC CO.,LTD. 6-3-36, Nakazato, Furukawa, Osaka-pgrad, Miski-predst, 989-6181, Japan
[Greek]	Με την παρούσα ο κατασκευαστής ALPS ELECTRIC CO.,LTD. δηλώνει ότι R68P0P74P0 συμμορφώνεται προς τις ουσιώδεις απαιτήσεις και τις λοιπές σχετικές διατάξεις της οδηγίας 1999/5/ΕΚ. Αντίγραφο της δήλωσης συμμόρφωσης είναι διαθέσιμο από τις ακόλουθες θέσεις. διεύθυνση:Ingenieria Dept.MS,ALPS ELECTRIC CO.,LTD. 6-3-36, Nakazato, Furukawa, Osaka-miaki, Miyagi-Pref, 989-6181, Ιαπωνία
[Czech]	ALPS ELECTRIC CO.,LTD. tímto prohlašuje, že R68P0P74P0 splňuje základní požadavky a všechna příslušná ustanovení Směrnice 1999/5/ES. Kopie prohlášení o shodě je k dispozici v následujících umístěních. adresa: Engineering Dept.MS,ALPS ELECTRIC CO.,LTD. 6-3-36, Nakazato, Furukawa, Osaka-mesto, Miyagi-Pref, 989-6181, Japonsko
[Danish]	Underrettede ALPS ELECTRIC CO.,LTD. Erklærer hermed, at følgende udstyr R68P0P74P0 overholder de væsentlige krav og øvrige relevante krav i direktiv 1999/5/EF. Kopi af overensstemmelseserklæring er tilgængelig fra følgende placeringer. adresse:Engineering Dept.MS,ALPS ELECTRIC CO.,LTD. 6-3-36, Nakazato, Furukawa, Osaka-byen, Miyagi-Pref, 989-6181, Japan
[Italian]	Con la presente, ALPS ELECTRIC CO.,LTD., dichiara che questo R68P0P74P0 è conforme ai requisiti essenziali ed alle altre disposizioni pertinenti stabilite dalla direttiva 1999/5/CE. Copia della dichiarazione di conformità è disponibile nei seguenti siti. indirizzo:Ingenieria Dept.MS,ALPS ELECTRIC CO.,LTD. 6-3-36, Nakazato, Furukawa, Osaka-city, Miyagi-pref, 989-6181, Giappone
[Portuguese]	Eu, ALPS ELECTRIC CO.,LTD., declaro que o R68P0P74P0 cumpre os requisitos essenciais e outras provisões relevantes da Directiva 1999/5/CE. Cópia da Declaração de Conformidade está disponível nos seguintes locais. endereço:Dept.MS,ENGERIA,ALPS ELECTRIC CO.,LTD. 6-3-36, Nakazato, Furukawa, Osaka-idade, Miyagi-pref, 989-6181, Japão
[Finnish]	ALPS ELECTRIC CO.,LTD. vakuuttaa täten että R68P0P74P0 tyyppinen laite on direktiivin 1999/5/ETY oleellisten vaatimusten ja sitä koskevien direktiivien muiden ehtojen mukainen. Kopio Vuolustamustenkäytösavakuutus on saatavilla seuraavissa paikoissa. osoite: Engineering Dept.MS,ALPS ELECTRIC CO.,LTD. 6-3-36, Nakazato, Furukawa, Osaka-city, Miyagi-pref, 989-6181, Japani
[Swedish]	Härmed ALPS ELECTRIC CO.,LTD., deklarerar att denna R68P0P74P0 står i överensstämmelse med de väsentliga egenskapskrav och övriga relevanta bestämmelser som framgår av direktiv 1999/5/EC. Kopior av försäkran om överensstämmelse finns tillgänglig från följande platser. adress: Engineering Dept.MS,ALPS ELECTRIC CO.,LTD. 6-3-36, Nakazato, Furukawa, Osaka-city, Miyagi-pref, 989-6181, Japania
[Polish]	Niniejszym, ALPS ELECTRIC CO.,LTD. deklaruje że R68P0P74P0 jest zgodny z zasadniczymi wymaganiami i innymi właściwymi postanowieniami Dyrektywy 1999/5/EC. Kopia deklaracji zgodności jest dostępna w następujących lokalizacjach. adres:Inżynieria Dept.MS,ALPS ELECTRIC CO.,LTD. 6-3-36, Nakazato, Furukawa, Osaka-miasto, Miyagi-pref, 989-6181, Japonia
[Hungarian]	A ALPS ELECTRIC CO.,LTD. ezennel kijelenti, hogy a R68P0P74P0 típusú berendezés teljesíti az alapvető követelményeket és más 1999/5/EK irányelvben meghatározott vonatkozó rendelkezéseket. Pótlányt a megfelelősi nyilatkozat előlétét a következő helyekre. cim: Engineering Dept.MS,ALPS ELECTRIC CO.,LTD. 6-3-36, Nakazato, Furukawa, Osaka-város, Miyagi-pref, 989-6181, Japán
[Slovak]	ALPS ELECTRIC CO.,LTD. týmto vyhlasuje, že R68P0P74P0 spĺna základné požadavky a všetky príslušné ustanovenia Smernice 1999/5/ES. Kópia vyhlásenia o zhode je k dispozíciu v nasledujúcich umiestneniach. adresa:Engineering Dept.MS,ALPS ELECTRIC CO.,LTD. 6-3-36, Nakazato, Furukawa, Osaka-mesto, Miyagi-Pref, 989-6181, Japonsko
[Slovenian]	ALPS ELECTRIC CO.,LTD. izjavlja, da je ta R68P0P74P0 skladna z bistvenimi zahtevami in drugim relevantnim določili direktive 1999/5/ES. Kopijo izjave o skladnosti je na voljo na naslednjih lokacijah. naslov: Engineering Dept.MS,ALPS ELECTRIC CO.,LTD. 6-3-36, Nakazato, Furukawa, Osaka-city, Miyagi-pref, 989-6181, Japonija
[Estonian]	Käesolevaga kinnitab ALPS ELECTRIC CO.,LTD. seadme R68P0P74P0 vastavust reeglite 1999/5/EE põhivõtmelise ja metaadul direktiivist tulenevatele teistele asjakohastele sätetele. Koopia vastavusdeklaratsioon on saadaval järgmistel kohtades. address: Engineering Dept.MS,ALPS ELECTRIC CO.,LTD. 6-3-36, Nakazato, Furukawa, Osaka-linn, Miyagi-pref, 989-6181, Japan
[Latvian]	Ar šo ALPS ELECTRIC CO.,LTD. deklarā, ka R68P0P74P0 atbilst Direktīvas 1999/5/EK būtiskajām prasībām un olem ar tā saistītajiem noteikumiem. Kopija atbilstības deklarācijai ir pieejama no šādām vietām. adrese:Engineering Dept.MS,ALPS ELECTRIC CO.,LTD. 6-3-36, Nakazato, Furukawa, Osaka-city, Miyagi-pref, 989-6181, Japonia
[Lithuanian]	Šiuo ALPS ELECTRIC CO.,LTD. deklaruojame, kad šis R68P0P74P0 atitinka esminius reikalavimus ir kitas 1999/5/EB Direktivos nuostatas. Kopijuoti Atitikimo deklaracijos yra iš šių vietų. adresas:inžinerija Dept.MS,ALPS ELECTRIC CO.,LTD. 6-3-36, Nakazato, Furukawa, Osaka-miestas, Miyagi-Pref, 989-6181, Japonija
[Romanian]	Prin prezenta, ALPS ELECTRIC CO.,LTD., declară că aparatul R68P0P74P0 este în conformitate cu cerințele esențiale și cu alte prevederi pertinente ale Directivei 1999/5/CE. Copia a declarației de conformitate este disponibilă în următoarele locații. adresa: Inginerie Dept.MS,ALPS ELECTRIC CO.,LTD. 6-3-36, Nakazato, Furukawa, Osaka-city, Miyagi-pref, 989-6181, Japonia
[Croatian]	Ovimе, ALPS ELECTRIC CO.,LTD. izjavljuje da je ovaj R68P0P74P0 je u skladu s osnovnim zahtjevima i drugim relevantnim odredbama Direktive 1999/5/EC. Kopiju izjave o sukladnosti dostupna je na sljedećem mjestu. adresa: inženjering Dept.MS,ALPS ELECTRIC CO.,LTD. 6-3-36, Nakazato, Furukawa, Osaka-grad, Miyagi-pref, 989-6181, Japan
[Icelandic]	Hér, ALPS ELECTRIC CO.,LTD., því að R68P0P74P0 er í samsvari með grunnskólum og aðrar kröfur sem gerðar eru í tilskipun 1999/5/EC. Eintak af yfirlýsingu um samræmi er að finna á eftirfarandi stöðum. netfang: Engineering Dept.MS,ALPS ELECTRIC CO.,LTD. 6-3-36, Nakazato, Furukawa, Osaka-borg, Miyagi-Pref, 989-6181, Japan
[Norwegian]	Hermed ALPS ELECTRIC CO.,LTD., erklærer at dette R68P0P74P0 er i samsvar med de grunnleggende krav og øvrige relevante krav i direktiv 1999/5/EF. Kopi av samsvarserklæringen er tilgjengelig på følgende steder. adresse:Engineering Dept.MS,ALPS ELECTRIC CO.,LTD. 6-3-36, Nakazato, Furukawa, Osaka-byen, Miyagi-pref, 989-6181, Japan
[Macedonian]	Со ова, ALPS ELECTRIC CO.,LTD., изјавува дека овој R68P0P74P0 е во сооподност со суштинските барања и другите релевантни одредби од Директивата 1999/5/EC. Копија од Декларацијата за соодветност е на располагање од следниве локации. адреса:Inženjering Dept.MS,ALPS ELECTRIC CO.,LTD. 6-3-36, Nakazato, Furukawa, Osaka-grad, Miyagi-Pref, 989-6181, Japonija
[Turkish]	Bu vesile ile, ALPS ELECTRIC CO.,LTD., bu R68P0P74P0 ünvanındaki temel şartlara ve 1999/5/EC diğer ilgili hükümlerine uygun olduğunu beyan eder. Uygunluk Bildirimi'nin Kopyası aşağıdaki konumlardan edinilebilir. Adres:Mihendislik Dept.MS,ALPS ELECTRIC CO.,LTD. 6-3-36, Nakazato, Furukawa, Osaka-keri, Miyagi-pref, 989-6181, Japonya
[Croatian]	Ovimе, ALPS ELECTRIC CO.,LTD., proglašuje da je ovaj R68P0P74P0 je u skladu sa suštinski uslovi i druge relevantne odredbe direktivu 1999/5/EC. Kopija deklaracije skladom je na raspolaganju iz sljedeće lokacije. adresa:inženjering Dept.MS,ALPS za električnu ENERGIJU CO.,LTD. 6-3-36, Nakazato, Furukawa, Osaka grad, Miyagi-pref, 989-6181, Japan


Manufacturer: Continental Automotive GmbH

Address: Seimensstrasse12

D-93055 Regensburg

Germany

Radio Transmitter: S180052024 and Radio Receiver: 40398036

 Česky [Czech]	<p>Continental tímto prohlašuje, že tento <i>Radio Transmitter and Receiver</i> je ve shodě se základními požadavky a dalšími příslušnými ustanoveními směrnice 1999/5/ES.</p>
 Dansk [Danish]	<p>Underregnede <i>Continental</i> erklærer herved, at følgende udstyr <i>Radio Transmitter and Receiver</i> overholder de væsentlige krav og øvrige relevante krav i direktiv 1999/5/EF.</p>
 Deutsch [German]	<p>Hiermit erkl�rt <i>Continental</i>, dass sich das Ger�t <i>Radio Transmitter and Receiver</i> in �bereinstimmung mit den grundlegenden Anforderungen und den �brigen einschl�gigen Bestimmungen der Richtlinie 1999/5/EG befindet.</p>
 Eesti [Estonian]	<p>K�ssolevaga kinnitab <i>Continental</i> seadme <i>Radio Transmitter and Receiver</i> vastavust direktiivi 1999/5/E� p�hinnetele ja nimetatud direktiivist tulenevatele teistele asjakohastele s�tetele.</p>
 English	<p>Hereby, <i>Continental</i> declares that this <i>Radio Transmitter and Receiver</i> is in compliance with the essential requirements and other relevant provisions of Directive 1999/5/EC.</p>
 Espa�ol [Spanish]	<p>Por medio de la presente <i>Continental</i> declara que el <i>Radio Transmitter and Receiver</i> cumple con los requisitos esenciales y cualesquiera otras disposiciones aplicables o exigibles de la Directiva 1999/5/CE.</p>
 �λληνικ� [Greek]	<p>ΜΕ ΤΗΝ ΠΑΡΟΥΣΑ <i>Continental</i> ΔΗΛΩΝΕΙ ΟΤΙ <i>Radio Transmitter and Receiver</i> ΣΥΜΜΟΡΦΩΝΕΤΑΙ ΠΡΟΣ ΤΙΣ ΟΥΣΙΩΔΕΙΣ ΑΠΑΙΤΗΣΕΙΣ ΚΑΙ ΤΙΣ ΛΟΙΠΕΣ ΣΧΕΤΙΚΕΣ ΔΙΑΤΑΞΕΙΣ ΤΗΣ ΟΔΗΓΙΑΣ 1999/5/ΕΚ.</p>
 Fran�ais [French]	<p>Par la pr�sente <i>Continental</i> d�clare que l'appareil <i>Radio Transmitter and Receiver</i> est conforme aux exigences essentielles et aux autres dispositions pertinentes de la directive 1999/5/CE.</p>
 Italiano [Italian]	<p>Con la presente <i>Continental</i> dichiara che questo <i>Radio Transmitter and Receiver</i> � conforme ai requisiti essenziali ed alle altre disposizioni pertinenti stabilite dalla direttiva 1999/5/CE.</p>
 Latviski [Latvian]	<p>Ar �o <i>Continental</i> deklar�, ka <i>Radio Transmitter and Receiver</i> atbilst Direkt�vas 1999/5/EK b�tiskaj�m pras�b�m un citiem ar to saistitajiem noteikumiem.</p>

<p>[1t] Lietuvių [Lithuanian]</p>	<p>Šiuo <i>Continental</i> deklaruojama, kad šis <i>Radio Transmitter and Receiver</i> atitinka esminius reikalavimus ir kitas 1999/5/EB Direktyvos nuostatas.</p>
<p>[k] Nederlands [Dutch]</p>	<p>Hierbij verklaart <i>Continental</i> dat het toestel <i>Radio Transmitter and Receiver</i> in overeenstemming is met de essentiële eisen en de andere relevante bepalingen van richtlijn 1999/5/EG.</p>
<p>[ml] Malti [Maltese]</p>	<p>Hawn hekk, <i>Continental</i>, jiddeklara li dan <i>Radio Transmitter and Receiver</i> jikkonforma mal-htigijiet essenzjali u ma provvedimentu oħrajn rilevanti li hemm fid-Direttiva 1999/5/EC.</p>
<p>[hu] Magyar [Hungarian]</p>	<p>Az alábbi, <i>Continental</i> nyilatkozom, hogy a <i>Radio Transmitter and Receiver</i> megfelel a vonatkozó alapelvű követelményeknek és az 1999/5/EC irányelv egyéb előírásainak.</p>
<p>[pl] Polski [Polish]</p>	<p>Niniejszym <i>Continental</i> oświadcza, że <i>Radio Transmitter and Receiver</i> jest zgodny z zasadniczymi wymogami oraz pozostałymi stosownymi postanowieniami Dyrektywy 1999/5/EC.</p>
<p>[pt] Português [Portuguese]</p>	<p><i>Continental</i> declara que este <i>Radio Transmitter and Receiver</i> está conforme com os requisitos essenciais e outras disposições da Directiva 1999/5/CE.</p>
<p>[sl] Slovensko [Slovenian]</p>	<p><i>Continental</i> izjavlja, da je ta <i>Radio Transmitter and Receiver</i> v skladu z bistvenimi zahtevami in ostalimi relevantnimi določili direktive 1999/5/ES.</p>
<p>[sk] Slovensky [Slovak]</p>	<p><i>Continental</i> týmto vyhlasuje, že <i>Radio Transmitter and Receiver</i> spĺňa základné požiadavky a všeľky príslušné ustanovenia Smernice 1999/5/ES.</p>
<p>[fi] Suomi [Finnish]</p>	<p><i>Continental</i> vakuuttaa täten että <i>Radio Transmitter and Receiver</i> täyttää sen direktiivin 1999/5/EY oleellisten vaatimusten ja sitä koskevien direktiivin muiden ehtojen mukainen.</p>
<p>[sv] Svenska [Swedish]</p>	<p>Härmed intygar <i>Continental</i> att denna <i>Radio Transmitter and Receiver</i> står i överensstämmelse med de väsentliga egenskapskrav och övriga relevanta bestämmelser som framgår av direktiv 1999/5/EG.</p>
<p>[is] íslenska [Icelandic]</p>	<p>Hér með lýsir <i>Continental</i> yfir því að <i>Radio Transmitter and Receiver</i> er í samræmi við grunnkröfur og aðrar kröfur, sem gerðar eru í tilskipun 1999/5/EC.</p>
<p>[no] Norsk [Norwegian]</p>	<p><i>Continental</i> erklærer herved at utstyret <i>Radio Transmitter and Receiver</i> er i samsvar med de grunnleggende krav og øvrige relevante krav i direktiv 1999/5/EF.</p>

Hereby, Panasonic, declares that this AZ1601 is in compliance with the essential requirements and other relevant provisions of Directive 1999/5/EC.
С настоящето, Panasonic, декларира, че AZ1601 е в съответствие със същест­вените изисквания и другите приложими разпоредби на Директива 1999/5/EC.
Panasonic tímto prohlašuje, že tento AZ1601 je ve shodě se základními požadavky a dalšími příslušnými ustanoveními směrnice 1999/5/ES.
Undertegnede Panasonic erklærer herved, at følgende udstyr AZ1601 overholder de væsentlige krav og øvrige relevante krav i direktiv 1999/5/EF.
Hierbij verklaart Panasonic dat het toestel AZ1601 in overeenstemming is met de essentiële eisen en de andere relevante bepalingen van richtlijn 1999/5/EG.
Käesolevaga kinnitab Panasonic seadme AZ1601 vastavust direktiivi 1999/5/EÜ põhinõuetele ja nimetatud direktiivist tulenevatele teistele asjakohastele sätetele.
Panasonic vakuuttaa täten että AZ1601 tyyppinen laite on direktiivin 1999/5/EY oleellisten vaatimusten ja sitä koskevien direktiivin muiden ehtojen mukainen.
Par la présente Panasonic déclare que l'appareil AZ1601 est conforme aux exigences essentielles et aux autres dispositions pertinentes de la directive 1999/5/CE.
Hiermit erklärt Panasonic, dass sich das Gerät AZ1601 in Übereinstimmung mit den grundlegenden Anforderungen und den übrigen einschlägigen Bestimmungen der Richtlinie 1999/5/EG befindet.
ΜΕ ΤΗΝ ΠΑΡΟΥΣΑ Panasonic ΔΗΛΩΝΕΙ ΟΤΙ ΑΖ1601 ΣΥΜΜΟΡΦΩΝΕΤΑΙ ΠΡΟΣ ΤΙΣ ΟΥΣΙΩΔΕΙΣ ΑΠΑΙΤΗΣΕΙΣ ΚΑΙ ΤΙΣ ΛΟΙΠΕΣ ΣΧΕΤΙΚΕΣ ΔΙΑΤΑΞΕΙΣ ΤΗΣ
Σ
Alulírott, Panasonic nyilatkozik, hogy a AZ1601 megfelel a vonatkozó alapvető követelményeknek és az 1999/5/EC irányelv egyéb előírásainak.

<p>Con la presente Panasonic dichiara che questo AZ1601 è conforme ai requisiti essenziali ed alle altre disposizioni pertinenti stabilite dalla direttiva 1999/5/CE.</p>
<p>Ar šo Panasonic deklarē, ka AZ1601 atbilst Direktīvas 1999/5/EK būtiskajām prasībām un citiem ar to saistītajiem noteikumiem.</p>
<p>Šīuo Panasonic deklaruoja, kad šis AZ1601 atitinka esminių reikalavimų ir kitas 1999/5/EB Direktyvos nuostatas.</p>
<p>Hawnekk, Panasonic, jiddiklajara li dan AZ1601 jikkonforma mal-ħtiġijiet essenzjali u ma provvedimenti oħrajn relevanti li hemm fid-Direttiva 1999/5/EC.</p>
<p>Niniejszym Panasonic oświadcza, że AZ1601 jest zgodny z zasadniczymi wymogami oraz pozostałymi stosownymi postanowieniami Dyrektywy 1999/5/EC.</p>
<p>Panasonic declara que este AZ1601 está conforme com os requisitos essenciais e outras disposições da Directiva 1999/5/CE.</p>
<p>Prin prezenta, Panasonic, declară că aparatul AZ1601 este în conformitate cu cerințele esențiale și cu alte prevederi pertinente ale Directivei 1999/5/CE.</p>
<p>Panasonic týmto vyhlasuje, že AZ1601 spĺňa základné požiadavky a všetky príslušné ustanovenia Smernice 1999/5/ES.</p>
<p>Panasonic izjavlja, da je ta AZ1601 v skladu z bistvenimi zahtevami in ostalimi relevantnimi določili direktive 1999/5/ES.</p>
<p>Por medio de la presente Panasonic declara que el AZ1601 cumple con los requisitos esenciales y cualesquiera otras disposiciones aplicables o exigibles de la Directiva 1999/5/CE.</p>
<p>Härmed intygar Panasonic att denna AZ1601 står i överensstämmelse med de väsentliga egenskapskrav och övriga relevanta bestämmelser som framgår av direktiv 1999/5/EG.</p>
<p>Hér með lýsir Panasonic yfir því að AZ1601 er í samræmi við grunnkröfur og aðrar kröfur, sem gerðar eru í tilskipun 1999/5/EC.</p>
<p>Panasonic erklærer herved at udstyret AZ1601 er i samsvarende med de grundlæggende krav og øvrige relevante krav i direktiv 1999/5/EF.</p>
<p>Ovim Panasonic, izjavljuje da je AZ1601 u skladu s bitnim zahtjevima i drugim relevantnim odredbama Direktive 1999/5/EC.</p>



OMRON Automotive Electronics Co. Ltd.
6366 Nenjo-zaka, Okusa, Komaki, Aichi 485-0802 JAPAN
TEL: +81-568-78-6159 FAX: +81-568-78-7659

Frequency band(s) : T55R1, T68L0, R64M0, R43M2, 92MHz;
I55R0, I54P0, 37290-54P0, S79M0, 125kHz;
Maximum radio-frequency power transmitted in the frequency band(s) :
T55R1: 80dBµV/m (@3m); T68L0: 75dBµV/m (@3m); I55R0: 54dBµV/m (@10m);
I54P0: 52dBµV/m (@10m); R64M0: 79dBµV/m (@3m);
37290-54P0: 58dBµV/m (@10m); S79M0: 95dBµV/m (@3m);

Receiver Category of these radio equipment is Category 2, which is referred to EN 300 220-1.
CAUTION - Danger of explosion if battery is incorrectly replaced. Replace only with the same or equivalent type.
CAUTION - Do not expose to excessive heat such as sunshine, fire or the like.



This symbol is intended to alert the user to the presence of important operating and maintenance (servicing) instructions in the literature accompanying the appliance.

WARNING

Do not remove the battery. Chemical Burn Hazard.
(The remote control supplied with) This product contains a coin / button cell battery.
If the coin / button cell battery is swallowed, it can cause severe internal burns in just 2 hours and can lead to death.
Keep new and used batteries away from children.
If the battery compartment does not close securely, stop using the product and keep it away from children.
If you think batteries might have been swallowed or placed inside any part of the body, seek immediate medical attention.

[Czech]	Společnost OMRON Automotive Electronics Co. Ltd. tímto prohlašuje, že [T68L0, I54P0, R64M0, 37290-54P0, S54P0, S79M0, T55R1, I55R0] dodržuje Nařízení 2014/53/EU. Podrobné informace naleznete na následující URL: http://www.oae.omron.co.jp/rfequipdocs/be/euodocx.html
[Danish]	OMRON Automotive Electronics Co. Ltd. erklærer herved, at [T68L0, I54P0, R64M0, 37290-54P0, S54P0, S79M0, T55R1, I55R0] er i overensstemmelse med Direktiv 2014/53/EU. For detaljer, bedes du angå til følgende webadresse: http://www.oae.omron.co.jp/rfequipdocs/be/euodocx.html
[German]	Hiermit erkläre OMRON Automotive Electronics Co. Ltd., dass [T68L0, I54P0, R64M0, 37290-54P0, S54P0, S79M0, T55R1, I55R0] in Übereinstimmung mit der Richtlinie 2014/53/EU steht. Für Einzelheiten greifen Sie auf folgende URL zu: http://www.oae.omron.co.jp/rfequipdocs/be/euodocx.html
[Estonian]	Käesolevaga teatame OMRON Automotive Electronics Co. Ltd., et [T68L0, I54P0, R64M0, 37290-54P0, S54P0, S79M0, T55R1, I55R0] on kooskõlas Direktiiviga 2014/53/EU. Üksikasjalike nägemiseks külastage võrguadressi: http://www.oae.omron.co.jp/rfequipdocs/be/euodocx.html
[English]	Hereby, OMRON Automotive Electronics Co. Ltd., declares that [T68L0, I54P0, R64M0, 37290-54P0, S54P0, S79M0, T55R1, I55R0] are in compliance with Directive 2014/53/EU. For details, please access the following URL: http://www.oae.omron.co.jp/rfequipdocs/be/euodocx.html
[Spanish]	Por la presente, OMRON Automotive Electronics Co. Ltd., declara que [T68L0, I54P0, R64M0, 37290-54P0, S54P0, S79M0, T55R1, I55R0] cumple con la Directiva 2014/53/EU. Para más información, acceda a la siguiente URL: http://www.oae.omron.co.jp/rfequipdocs/be/euodocx.html
[Greek]	Με το παρόν, η OMRON Automotive Electronics Co. Ltd., δηλώνει ότι το [T68L0, I54P0, R64M0, 37290-54P0, S54P0, S79M0, T55R1, I55R0] συμμορφώνεται με την Οδηγία 2014/53/ΕΕ. Για λεπτομέρειες, επισκεφτείτε την επίσημη ιστοσελίδα: http://www.oae.omron.co.jp/rfequipdocs/be/euodocx.html
[French]	Par le présent document OMRON Automotive Electronics Co. Ltd., déclare que [T68L0, I54P0, R64M0, 37290-54P0, S54P0, S79M0, T55R1, I55R0] sont conformes à la Directive 2014/53/EU. Pour plus d'informations visitez la page suivante: http://www.oae.omron.co.jp/rfequipdocs/be/euodocx.html
[Italian]	Con la presente, OMRON Automotive Electronics Co. Ltd., dichiara che [T68L0, I54P0, R64M0, 37290-54P0, S54P0, S79M0, T55R1, I55R0] sono conformi alla Direttiva 2014/53/EU. Per ulteriori dettagli, accedere al seguente URL: http://www.oae.omron.co.jp/rfequipdocs/be/euodocx.html
[Latvian]	Ar šo uzpasmēnu OMRON Automotive Electronics Co. Ltd. apstiprina, ka [T68L0, I54P0, R64M0, 37290-54P0, S54P0, S79M0, T55R1, I55R0] atbilst Direktīvas 2014/53/ES prasībām. Detalizētā informācija, ūskatu, skaidrāki vārdi: http://www.oae.omron.co.jp/rfequipdocs/be/euodocx.html
[Lithuanian]	Šiuo dokumentu OMRON Automotive Electronics Co. Ltd. pareiškia, kad [T68L0, I54P0, R64M0, 37290-54P0, S54P0, S79M0, T55R1, I55R0] atitinka Direktyvą 2014/53/ES. Norėdami išsamesnės informacijos, aplankykite šiuo URL adresu: http://www.oae.omron.co.jp/rfequipdocs/be/euodocx.html
[Dutch]	Hiermee verklaart OMRON Automotive Electronics Co. Ltd., dat [T68L0, I54P0, R64M0, 37290-54P0, S54P0, S79M0, T55R1, I55R0] in overeenstemming zijn met Richtlijn 2014/53/EU. Klik voor meer informatie op de onderstaande link: http://www.oae.omron.co.jp/rfequipdocs/be/euodocx.html
[Maltese]	OMRON Automotive Electronics Co. Ltd., iġġidjarja li [T68L0, I54P0, R64M0, 37290-54P0, S54P0, S79M0, T55R1, I55R0] huma f'konformità mad-Direttiva 2014/53/EU. Għal dettalji, jekk jogħġbok aċċessa l-URL li għajja: http://www.oae.omron.co.jp/rfequipdocs/be/euodocx.html
[Hungarian]	Alulírott, OMRON Automotive Electronics Co. Ltd., kijelenti, hogy [T68L0, I54P0, R64M0, 37290-54P0, S54P0, S79M0, T55R1, I55R0] megfelel a 2014/53/EU irányelvnek. A részletekért nyissa meg a következő URL hivatkozást: http://www.oae.omron.co.jp/rfequipdocs/be/euodocx.html
[Polish]	OMRON Automotive Electronics Co. Ltd. niniejszym oświadczam, że produkty [T68L0, I54P0, R64M0, 37290-54P0, S54P0, S79M0, T55R1, I55R0] spełniają wymogi Dyrektywy 2014/53/EU. Szczegółowe informacje są dostępne pod następującym adresem URL: http://www.oae.omron.co.jp/rfequipdocs/be/euodocx.html
[Portuguese]	Por isto, OMRON Automotive Electronics Co. Ltd., declara que [T68L0, I54P0, R64M0, 37290-54P0, S54P0, S79M0, T55R1, I55R0] estão em conformidade com a Diretiva 2014/53/EU. Para mais detalhes, favor aceder acessar ao seguinte URL: http://www.oae.omron.co.jp/rfequipdocs/be/euodocx.html
[Slovenian]	S tem podjetje OMRON Automotive Electronics Co. Ltd., izjavlja, da so [T68L0, I54P0, R64M0, 37290-54P0, S54P0, S79M0, T55R1, I55R0] v skladu z Direktivo 2014/53/EU. Za podrobnosti odprite naslednji URL: http://www.oae.omron.co.jp/rfequipdocs/be/euodocx.html
[Slovak]	Spoločnosť OMRON Automotive Electronics Co. Ltd. týmto vyhlasuje, že [T68L0, I54P0, R64M0, 37290-54P0, S54P0, S79M0, T55R1, I55R0] dodržiava Smernicu 2014/53/EU. Podrobné informácie nájdete na nasledujúcej URL: http://www.oae.omron.co.jp/rfequipdocs/be/euodocx.html
[Finnish]	OMRON Automotive Electronics Co. Ltd., ilmoittaa täten, että [T68L0, I54P0, R64M0, 37290-54P0, S54P0, S79M0, T55R1, I55R0] noudattaa Direktiivin 2014/53/EU vaatimuksia. Saadakseen lisätietoja, käyät seuraavaa URL-osoitetta: http://www.oae.omron.co.jp/rfequipdocs/be/euodocx.html
[Swedish]	OMRON Automotive Electronics Co. Ltd. förklarar jag härmed att [T68L0, I54P0, R64M0, 37290-54P0, S54P0, S79M0, T55R1, I55R0] är i enlighet med Direktiv 2014/53/EU. För detaljer vänligen använd följande webbsida: http://www.oae.omron.co.jp/rfequipdocs/be/euodocx.html
[Icelandic]	Hér, OMRON Automotive Electronics Co. Ltd., segir að [T68L0, I54P0, R64M0, 37290-54P0, S54P0, S79M0, T55R1, I55R0] þeir eru í samræmi við Úskutlu 2014/53/ ESB. Fyrir frekari upplýsingar, vinsamlegast ágang að eftirfarandi URL: http://www.oae.omron.co.jp/rfequipdocs/be/euodocx.html
[Norwegian]	Hermed OMRON Automotive Electronics Co. Ltd., erklærer at [T68L0, I54P0, R64M0, 37290-54P0, S54P0, S79M0, T55R1, I55R0] samsvarende med Resolusjon 2014/53/EU. For ytterligere informasjon, vennligst sjekk følgende URL: http://www.oae.omron.co.jp/rfequipdocs/be/euodocx.html
[Turkish]	OMRON Automotive Electronics Co. Ltd., şikâti [T68L0, I54P0, R64M0, 37290-54P0, S54P0, S79M0, T55R1, I55R0] ürünlerinin 2014/53/EE Direktifi ile uyumlu olduğunu beyan eder. Ayrıntılar için lütfen aşağıdaki URL ye erişin: http://www.oae.omron.co.jp/rfequipdocs/be/euodocx.html
[Romanian]	Prin prezenta, OMRON Automotive Electronics Co. Ltd., declară că [T68L0, I54P0, R64M0, 37290-54P0, S54P0, S79M0, T55R1, I55R0] sunt în conformitate cu Directiva 2014/53/EU. Pentru detalii, accesați următorul URL: http://www.oae.omron.co.jp/rfequipdocs/be/euodocx.html
[Bulgarian]	С настоящия документ OMRON Automotive Electronics Co. Ltd., декларира, че [T68L0, I54P0, R64M0, 37290-54P0, S54P0, S79M0, T55R1, I55R0] съответстват с Директивата 2014/53/ЕС. За подробности посетете следния адрес: http://www.oae.omron.co.jp/rfequipdocs/be/euodocx.html
[Croatian]	Ovim putem tvrdim OMRON Automotive Electronics Co. Ltd. objavljuje da je [T68L0, I54P0, R64M0, 37290-54P0, S54P0, S79M0, T55R1, I55R0] u skladu s Direktivom 2014/53/EU. Za pojediniosti posjetite sljedeći URL: http://www.oae.omron.co.jp/rfequipdocs/be/euodocx.html
[Czmgorski jezik]	Ovim putem OMRON Automotive Electronics Co. Ltd., izjavljuje da su [T68L0, I54P0, R64M0, 37290-54P0, S54P0, S79M0, T55R1, I55R0] u skladu sa Odnobom 2014/53/EU. Za više detalja, pristupite sljedećoj URL adresi: http://www.oae.omron.co.jp/rfequipdocs/be/euodocx.html
[Macedonian]	Со оваа, OMRON Automotive Electronics Co. Ltd., изјавува дека [T68L0, I54P0, R64M0, 37290-54P0, S54P0, S79M0, T55R1, I55R0] е во согласност со Директивата 2014/53/EU. За подетални информации, отворете ја следнава URL: http://www.oae.omron.co.jp/rfequipdocs/be/euodocx.html
[Albanian]	Këtu, OMRON Automotive Electronics Co. Ltd., deklaruar se [T68L0, I54P0, R64M0, 37290-54P0, S54P0, S79M0, T55R1, I55R0] janë në përputhje me Direktivën 2014/53/EU. Për hollësi, ju lutem hapni URL-në e mëposhtme: http://www.oae.omron.co.jp/rfequipdocs/be/euodocx.html
[Georgian]	კონსტანტინე OMRON Automotive Electronics Co. Ltd. აცხადებს, რომ [T68L0, I54P0, R64M0, 37290-54P0, S54P0, S79M0, T55R1, I55R0] არის 2014/53/EE დირექტივის შესაბამისობაში. დაწვრილებითი ინფორმაციისთვის, იხილეთ შემდეგი ბმული: http://www.oae.omron.co.jp/rfequipdocs/be/euodocx.html



K68PB: frequency band(s) in which the radio equipment operates; 125kHz
 maximum radio-frequency power transmitted in the frequency band(s) in which the radio equipment operates; 56.7dBm/Vm@10m

K52RA: frequency band(s) in which the radio equipment operates; 125kHz
 maximum radio-frequency power transmitted in the frequency band(s) in which the radio equipment operates; 54.9dBm/Vm@10m

[English]	Hereby, Sumitomo Wiring Systems, Ltd. declares that the radio equipment type K68PB/K52RA is in compliance with Directive 2014/53/EU. The full text of the EU declaration of conformity is available at the following internet address: http://www.sws.co.jp/en/product/document/certificate
[Dutch]	Hierbij verklaar ik, Sumitomo Wiring Systems, Ltd., dat het type radioapparaat K68PB/K52RA conform is met Richtlijn 2014/53/EU. De volledige tekst van de EU-conformiteitsverklaring kan worden geraadpleegd op het volgende internetadres: http://www.sws.co.jp/en/product/document/certificate
[German]	Hiermit erkläre ich Sumitomo Wiring Systems, Ltd., dass der Funkanlagenotyp K68PB/K52RA der Richtlinie 2014/53/EU entspricht. Der vollständige Text der EU-Konformitätserklärung ist unter der folgenden Internetadresse verfügbar: http://www.sws.co.jp/en/product/document/certificate
[French]	Le soussigné, Sumitomo Wiring Systems, Ltd., déclare que l'équipement radioélectrique du type K68PB/K52RA est conforme à la directive 2014/53/UE. Le texte complet de la déclaration UE de conformité est disponible à l'adresse internet suivante: http://www.sws.co.jp/en/product/document/certificate
[Spanish]	Por la presente, Sumitomo Wiring Systems, Ltd. declara que el tipo de equipo radioeléctrico K68PB/K52RA es conforme con la Directiva 2014/53/UE. El texto completo de la declaración UE de conformidad está disponible en la dirección Internet siguiente: http://www.sws.co.jp/en/product/document/certificate
[Bulgarian]	С настоящото Sumitomo Wiring Systems, Ltd. декларира, че този тип радиосъоръжение K68PB/K52RA е в съответствие с Директива 2014/53/ЕС. Цялостният текст на ЕС декларацията за съответствие може да се намери на следния интернет адрес: http://www.sws.co.jp/en/product/document/certificate
[Greek]	Με την παρούσα ο/η Sumitomo Wiring Systems, Ltd., δηλώνει ότι ο ραδιοεξοπλισμός K68PB/K52RA πληροί την οδηγία 2014/53/ΕΕ. Το πλήρες κείμενο της δήλωσης συμμόρφωσης ΕΕ διατίθεται στην ακόλουθη ιστοσελίδα στο διαδίκτυο: http://www.sws.co.jp/en/product/document/certificate
[Czech]	Tímto Sumitomo Wiring Systems, Ltd. prohlašuje, že typ rádiového zařízení K68PB/K52RA je v souladu se směrnicí 2014/53/EU. Uplně znění EU prohlášení o shodě je k dispozici na této internetové adrese: http://www.sws.co.jp/en/product/document/certificate
[Danish]	Herved erklærer Sumitomo Wiring Systems, Ltd., at radioudstyretypen K68PB/K52RA er i overensstemmelse med direktiv 2014/53/EU. EU-overensstemmelseserklæringens fulde tekst kan findes på følgende internetadresse: http://www.sws.co.jp/en/product/document/certificate
[Italian]	Il fabbricante, Sumitomo Wiring Systems, Ltd., dichiara che il tipo di apparecchiatura radio K68PB/K52RA è conforme alla direttiva 2014/53/UE. Il testo completo della dichiarazione di conformità UE è disponibile al seguente indirizzo Internet: http://www.sws.co.jp/en/product/document/certificate
[Portuguese]	O/a) abaixo assinado(a) Sumitomo Wiring Systems, Ltd. declara que o presente tipo de equipamento de rádio K68PB/K52RA está em conformidade com a Diretiva 2014/53/UE. O texto integral da declaração de conformidade está disponível no seguinte endereço de Internet: http://www.sws.co.jp/en/product/document/certificate
[Finnish]	Sumitomo Wiring Systems, Ltd. vakuuttaa, että radiolaitetyyppi K68PB/K52RA on direktiivin 2014/53/EU mukainen. EU-väestämustenmukaisuusvakuutuksen täysimittainen teksti on saatavilla seuraavassa internetosoitteessa: http://www.sws.co.jp/en/product/document/certificate
[Swedish]	Härmed försäkrar Sumitomo Wiring Systems, Ltd. att denna typ av radioutrustning K68PB/K52RA överensstämmer med direktiv 2014/53/EU. Den fullständiga texten till EU-försäkran om överensstämmelse finns på följande webbadress: http://www.sws.co.jp/en/product/document/certificate
[Polish]	Sumitomo Wiring Systems, Ltd. ninajszym oświadczam, że typ urządzenia radiowego K68PB/K52RA jest zgodny z dyrektywą 2014/53/UE. Pełny tekst deklaracji zgodności UE jest dostępny pod następującym adresem internetowym: http://www.sws.co.jp/en/product/document/certificate
[Hungarian]	Sumitomo Wiring Systems, Ltd. igazolja, hogy a K68PB/K52RA típusú rádióberendezés megfelel a 2014/53/EU irányelvnek. Az EU-megfelelőségi nyilatkozat teljes szövege elérhető a következő internetes címen: http://www.sws.co.jp/en/product/document/certificate
[Slovak]	Sumitomo Wiring Systems, Ltd. týmto vyhlasuje, že rádiové zariadenie typu K68PB/K52RA je v súlade so smernicou 2014/53/EU. Uplně znění EU vyhlášení o zhode je k dispozici na této internetové adrese: http://www.sws.co.jp/en/product/document/certificate
[Slovenian]	Sumitomo Wiring Systems, Ltd. potrjuje, da je tip radijske opreme K68PB/K52RA skladen z Direktivo 2014/53/UE. Celotno besedilo izjave EU o skladnosti je na voljo na naslednjem spletnem naslovu: http://www.sws.co.jp/en/product/document/certificate
[Estonian]	Käesolevaga deklareerin Sumitomo Wiring Systems, Ltd., et käesolev raadioseadme tüüp K68PB/K52RA vastab direktiivi 2014/53/EL nõudele. Koopia vastavusdeklaratsioon on saadaval järgmistes kohtades. EU vastavusdeklaratsiooni täielik tekst on kättesaadav järgmisel internetiaadressil: http://www.sws.co.jp/en/product/document/certificate
[Latvian]	Ar šo Sumitomo Wiring Systems, Ltd. deklarē, ka radioiekārtā K68PB/K52RA atbilst Direktīvai 2014/53/ES. Pils ES atbilstības deklarācijas teksts ir pieejams šādā internetā vietnē: http://www.sws.co.jp/en/product/document/certificate
[Lithuanian]	Aš, Sumitomo Wiring Systems, Ltd., patvirtinu, kad radio įrenginys tipas K68PB/K52RA atitinka Direktyvą 2014/53/ES. Visas ES atitikties deklaracijos tekostas prieinamas šiuo interneto adresu: http://www.sws.co.jp/en/product/document/certificate
[Romanian]	Prin prezenta, Sumitomo Wiring Systems, Ltd. declară că tipul de echipament radio K68PB/K52RA este în conformitate cu Directiva 2014/53/UE. Textul integral al declarației UE de conformitate este disponibil la următoarea adresă internet: http://www.sws.co.jp/en/product/document/certificate
[Croatian]	Sumitomo Wiring Systems, Ltd. ovime izjavuje da je radijska oprema tipa K68PB/K52RA u skladu s Direktivom 2014/53/UE. Cjeloviti tekst EU izjave o skladnosti dostupan je na sljedećoj internetskoj adresi: http://www.sws.co.jp/en/product/document/certificate
[Icelandic]	Hér, Sumitomo Wiring Systems, Ltd., lýsir yfir að radióbonaður tegund K68PB/K52RA er í samræmi við tilskipun 2014/53/ESB. The fullur texti af ESB-samræmis lýfingun er í boði á eftirfarandi veffangi: http://www.sws.co.jp/en/product/document/certificate
[Norwegian]	Herved Sumitomo Wiring Systems, Ltd. erklærer at radioudstyr type K68PB/K52RA er i samsvar med direktiv 2014/53/EU. Den fullstendige teksten i EU-erklæring er tilgjengelig på følgende internetadresse: http://www.sws.co.jp/en/product/document/certificate
[Macedonian]	Со ова, Sumitomo Wiring Systems, Ltd. изјавува дека типот на радио опрема K68PB/K52RA е во согласност со Директивата 2014/53/ЕУ. Целоносниот текст на декларацијата на ЕУ за соодобраност е достапна на следниот Постојано интернет адреса: http://www.sws.co.jp/en/product/document/certificate
[Turkish]	Bu vesile ile, Sumitomo Wiring Systems, Ltd. radyo cihazları tipi K68PB/K52RA Direktif 2014/53/AB ile uyumlu olduğunu beyan eder. AB uyumu beyanının tam metni aşağıdaki internet adresinden edinilebilir: http://www.sws.co.jp/en/product/document/certificate
[Cmoghorski jezik]	Ovime, Sumitomo Wiring Systems, Ltd. izjavuje da je taj tip radio oprema K68PB/K52RA u skladu s Direktivom 2014/53/UE. Tekst deklaracije EU o skladnosti dostupne su na sljedećoj internet adresi: http://www.sws.co.jp/en/product/document/certificate

RE Directive (SW, RM)



ALPS[®]

ALPS ELECTRIC CO., LTD. Engineering Headquarters
6-3-36, Nakazato, Furukawa, Osaki-city, Miyagi-pref, 989-6181, Japan
Phone +81 229-23-5111 Fax +81 229-23-5129

P74P0

frequency band(s) in which the radio equipment operates; 125kHz

maximum radio-frequency power transmitted in the frequency band(s) in which the radio equipment operates; 66.2dBuV/m@10m

R68P0 / R53R0

frequency band(s) in which the radio equipment operates; 433.92MHz

maximum radio-frequency power transmitted in the frequency band(s) in which the radio equipment operates; 80.0dBuV/m@3m

CAUTION - Danger of explosion if battery is incorrectly replaced. Replace only with the same or equivalent type.

CAUTION - Do not exposed to excessive heat such as sunshine, fire or the like, that can result in an explosion or the leakage of flammable liquid or gas during use, storage or transportation.

CAUTION - Do not dispose of a battery into fire or a hot oven, or give mechanically crushing or cutting of a battery, that can result in an explosion.

CAUTION - Do not subjected to extremely low air pressure at high altitude that may result in an explosion or the leakage of flammable liquid or gas.

WARNING

Do not ingest the battery, Chemical Burn Hazard

(The remote control supplied with) This product contains a coin/button cell battery.

If the coin/button cell battery is swallowed, it can cause severe internal burns in just 2 hours and can lead death.

Keep new and used batteries away from children.

If the battery compartment does not close securely, stop using the product and keep it away from children.

If you think batteries might have been swallowed or placed inside any part of the body, seek immediate medical attention.



This symbol is intended to alert the user to the presence of important operating and maintenance (servicing) instructions in the literature accompanying the appliance.

RE Directive (SW, RM)

P74P0 / R68P0 / R53R0

[English]	Hereby, ALPS ELECTRIC CO.,LTD., declares that the radio equipment type R68P0/R53R0/P74P0 is in compliance with Directive 2014/53/EU. The full text of the EU declaration of conformity is available at the following internet address: http://www.alps.com/products/e/re_list.html
[Dutch]	Hierbij verklaar ik, ALPS ELECTRIC CO.,LTD., dat het type radioapparatuur R68P0/R53R0/P74P0 conform is met Richtlijn 2014/53/EU. De volledige tekst van de EU-conformiteitsverklaring kan worden geraadpleegd op het volgende internetadres: http://www.alps.com/products/e/re_list.html
[German]	Hiermit erkläre ALPS ELECTRIC CO.,LTD., dass der Funkanlagentyp R68P0/R53R0/P74P0 der Richtlinie 2014/53/EU entspricht. Der vollständige Text der EU-Konformitätserklärung ist unter der folgenden Internetadresse verfügbar: http://www.alps.com/products/e/re_list.html
[French]	Le soussigné, ALPS ELECTRIC CO.,LTD., déclare que l'équipement radioélectrique du type R68P0/R53R0/P74P0 est conforme à la directive 2014/53/UE. Le texte complet de la déclaration UE de conformité est disponible à l'adresse internet suivante: http://www.alps.com/products/e/re_list.html
[Spanish]	Por la presente, ALPS ELECTRIC CO.,LTD., declara que el tipo de equipo radioeléctrico R68P0/R53R0/P74P0 es conforme con la Directiva 2014/53/UE. El texto completo de la declaración UE de conformidad está disponible en la dirección Internet siguiente: http://www.alps.com/products/e/re_list.html
[Bulgarian]	С настоящото ALPS ELECTRIC CO.,LTD., декларира, че този тип радиосъоръжение R68P0/R53R0/P74P0 е в съответствие с Директива 2014/53/ЕО. Цялостният текст на ЕС декларацията за съответствие може да се намери на следния интернет адрес: http://www.alps.com/products/e/re_list.html
[Greek]	Με την παρούσα ο/η ALPS ELECTRIC CO.,LTD., δηλώνει ότι ο ραδιοεξοπλισμός R68P0/R53R0/P74P0 πληροί την οδηγία 2014/53/ΕΕ. Το πλήρες κείμενο της δήλωσης συμμόρφωσης ΕΕ διατίθεται στην ακόλουθη ιστοσελίδα στο διαδίκτυο: http://www.alps.com/products/e/re_list.html
[Czech]	Tímto ALPS ELECTRIC CO.,LTD., prohlašuje, že typ rádiového zařízení R68P0/R53R0/P74P0 je v souladu se směrnicí 2014/53/EU. Úplné znění EU prohlášení o shodě je k dispozici na této internetové adrese: http://www.alps.com/products/e/re_list.html
[Danish]	Hermed erklærer ALPS ELECTRIC CO.,LTD., at radioudstyretypen R68P0/R53R0/P74P0 er i overensstemmelse med direktiv 2014/53/EU. EU-overensstemmelseserklæringens fulde tekst kan findes på følgende internetadresse: http://www.alps.com/products/e/re_list.html
[Italian]	Il fabbricante, ALPS ELECTRIC CO.,LTD., dichiara che il tipo di apparecchiatura radio R68P0/R53R0/P74P0 è conforme alla direttiva 2014/53/UE. Il testo completo della dichiarazione di conformità UE è disponibile al seguente indirizzo Internet: http://www.alps.com/products/e/re_list.html
[Portuguese]	O(a) abaixo assinado(a) ALPS ELECTRIC CO.,LTD., declara que o presente tipo de equipamento de rádio R68P0/R53R0/P74P0 está em conformidade com a Diretiva 2014/53/UE. O texto integral da declaração de conformidade está disponível no seguinte endereço de Internet: http://www.alps.com/products/e/re_list.html
[Finnish]	ALPS ELECTRIC CO.,LTD., vakuuttaa, että radiolaitetyypin R68P0/R53R0/P74P0 on direktiivin 2014/53/EU mukainen. EU-vaatimustenmukaisuusvakuutuksen täysimittainen teksti on saatavilla seuraavassa internetosoitteessa: http://www.alps.com/products/e/re_list.html
[Swedish]	Härmed försäkras ALPS ELECTRIC CO.,LTD., att denna typ av radioutrustning R68P0/R53R0/P74P0 överensstämmer med direktiv 2014/53/EU. Den fullständiga texten till EU-försäkran om överensstämmelse finns på följande webbadress: http://www.alps.com/products/e/re_list.html
[Polish]	ALPS ELECTRIC CO.,LTD., niniejszym oświadcza, że typ urządzenia radiowego R68P0/R53R0/P74P0 jest zgodny z dyrektywą 2014/53/UE. Pełny tekst deklaracji zgodności UE jest dostępny pod następującym adresem internetowym: http://www.alps.com/products/e/re_list.html

RE Directive (SW, RM)

P74P0 / R68P0 / R53R0

[Hungarian]	ALPS ELECTRIC CO.,LTD., igazolja, hogy a R68P0/R53R0/P74P0 típusú rádióberendezés megfelel a 2014/53/EU irányelvnek. Az EU-megfelelőségi nyilatkozat teljes szövege elérhető a következő internetes címen: http://www.alps.com/products/e/re_list.html
[Slovak]	ALPS ELECTRIC CO.,LTD., týmto vyhlasuje, že rádiové zariadenie typu R68P0/R53R0/P74P0 je v súlade so smernicou 2014/53/EU. Úplné EÚ vyhlásenie o zhode je k dispozícii na tejto internetovej adrese: http://www.alps.com/products/e/re_list.html
[Slovenian]	ALPS ELECTRIC CO.,LTD., potrjuje, da je tip radijske opreme R68P0/R53R0/P74P0 skladen z Direktivo 2014/53/EU. Celotno besedilo izjave EU o skladnosti je na voljo na naslednjem spletnem naslovu: http://www.alps.com/products/e/re_list.html
[Estonian]	Käesolevaga deklareerib ALPS ELECTRIC CO.,LTD., et käesolev raadioseadme tüüp R68P0/R53R0/P74P0 vastab direktiivi 2014/53/EL nõuetele. Koopia vastavusdeklaratsioon on saadaval järgmistes kohtades. EÜ vastavusdeklaratsiooni täielik tekst on kättesaadav järgmisel internetiaadressil: http://www.alps.com/products/e/re_list.html
[Latvian]	Ar šo ALPS ELECTRIC CO.,LTD., deklarē, ka radioiekārta R68P0/R53R0/P74P0 atbilst Direktīvai 2014/53/ES. Pilns ES atbilstības deklarācijas teksts ir pieejams šādā interneta vietnē: http://www.alps.com/products/e/re_list.html
[Lithuanian]	Aš, ALPS ELECTRIC CO.,LTD., patvirtinu, kad radijo įrenginio tipas R68P0/R53R0/P74P0 atitinka Direktyvą 2014/53/ES. Visas ES atitikties deklaracijos tekstas prieinamas šiuo interneto adresu: http://www.alps.com/products/e/re_list.html
[Romanian]	Prin prezenta, ALPS ELECTRIC CO.,LTD., declară că tipul de echipamente radio R68P0/R53R0/P74P0 este în conformitate cu Directiva 2014/53/UE. Textul integral al declarației UE de conformitate este disponibil la următoarea adresă internet: http://www.alps.com/products/e/re_list.html
[Croatian]	ALPS ELECTRIC CO.,LTD., ovime izjavljuje da je radijska oprema tipa R68P0/R53R0/P74P0 u skladu s Direktivom 2014/53/EU. Cjeloviti tekst EU izjave o sukladnosti dostupan je na sljedećoj internetskoj adresi: http://www.alps.com/products/e/re_list.html
[Icelandic]	Hér, ALPS ELECTRIC CO.,LTD., lýsir yfir að radióbúnaður tegund R68P0/R53R0/P74P0 er í samræmi við tilskipun 2014/53/ESB. The fullur texti af ESB-samræmisyfirlýsing er í boði á eftirfarandi veffangi: http://www.alps.com/products/e/re_list.html
[Norwegian]	Herved ALPS ELECTRIC CO.,LTD., erklærer at radioutstyr type R68P0/R53R0/P74P0 er i samsvar med direktiv 2014/53/EU. Den fullstendige teksten i EU-erklæring er tilgjengelig på følgende internetadresse: http://www.alps.com/products/e/re_list.html
[Macedonian]	Со ова, ALPS ELECTRIC CO.,LTD., изјавува дека типот на радио опрема R68P0/R53R0/P74P0 е во согласност со Директивата 2014/53/EU. Целосниот текст на декларацијата на ЕУ за сообразност е достапна на следниот Постојан интернет адреса: http://www.alps.com/products/e/re_list.html
[Turkish]	Bu vesile ile, ALPS ELECTRIC CO.,LTD., radyo cihazları tipi R68P0/R53R0/P74P0 Direktifi 2014/53/AB ile uyumlu olduğunu beyan eder. AB uyumu beyanının tam metni aşağıdaki internet adresinden edinilebilir: http://www.alps.com/products/e/re_list.html
[Cmrogorski jezik]	Ovime, ALPS ELECTRIC CO.,LTD., izjavljuje da je taj tip radio oprema R68P0/R53R0/P74P0 u skladu s Direktivom 2014/53/EU. Tekst deklaracije EU o skladnosti dostupne su na sljedećoj internet adresi: http://www.alps.com/products/e/re_list.html



CAUTION - Danger of explosion if battery is incorrectly replaced. Replace only with the same or equivalent type.
 CAUTION - Do not expose to excessive heat such as sunshine, fire or the like, as there is a risk of explosion or leak of flammable liquid or gas, in use, storage and transportation.
 CAUTION - Do not use in a store in a bring into environment of extremely high temperature or extremely low pressure due to the very high altitude.
 Dispose of used batteries according to the instructions. Do not attempt to burn, crush, or cut used
 It can cause an explosion or leak of flammable liquid or gas.



Marelli Corporation.
 2-1917, Nishin-cho, Kita-ku, Saitama-shi, Saitama-ken,
 331-8501, Japan
 Phone : +81-48-660-2111

[English]	Hereby, Marelli Corporation, declares that the radio equipment type K8P2/B7M/C/SS7.0176M0H8P0R57L1/TS008761M0K6P4K81RAK63T0 is in compliance with Directive 2014/53/EU. The full text of the EU declaration of conformity is available at the following internet address: https://www.marelli-corporation.com/en/products/red-doo/ Hereby, Marelli Corporation, declares that the radio equipment type K8P2/B7M/C/SS7.0176M0H8P0R57L1/TS008761M0K6P4K81RAK63T0 is in compliance with the relevant statutory requirements. The full text of the declaration of conformity is available at the following internet address: https://www.marelli-corporation.com/en/products/red-doo/
[Dutch]	Heetby verklaar ik, Marelli Corporation, dat het type radioapparaat K8P2/B7M/C/SS7.0176M0H8P0R57L1/TS008761M0K6P4K81RAK63T0 conform is met Richtlijn 2014/53/EU. De volledige tekst van de EU-conformiteitsverklaring kan worden geraadpleegd op het volgende internetadres: https://www.marelli-corporation.com/en/products/red-doo/
[German]	Hiermit erkläre Marelli Corporation, dass der FunkanlagenTyp K8P2/B7M/C/SS7.0176M0H8P0R57L1/TS008761M0K6P4K81RAK63T0 der Richtlinie 2014/53/EU entspricht. Der vollständige Text der EU-Konformitätserklärung ist unter der folgenden Internetadresse verfügbar: https://www.marelli-corporation.com/en/products/red-doo/
[French]	Je soussigné, Marelli Corporation, déclare que l'équipement radioélectrique du type K8P2/B7M/C/SS7.0176M0H8P0R57L1/TS008761M0K6P4K81RAK63T0 est conforme à la directive 2014/53/UE. Le texte complet de la déclaration UE de conformité est disponible à l'adresse internet suivante: https://www.marelli-corporation.com/en/products/red-doo/
[Spanish]	Por la presente, Marelli Corporation, declara que el tipo de equipo radioeléctrico K8P2/B7M/C/SS7.0176M0H8P0R57L1/TS008761M0K6P4K81RAK63T0 es conforme con la Directiva 2014/53/UE. El texto completo de la declaración UE de conformidad está disponible en el siguiente internet siguiente: https://www.marelli-corporation.com/en/products/red-doo/
[Bulgarian]	С настоящото Декларация Marelli Corporation, декларира, че този тип радиосъоръжение K8P2/B7M/C/SS7.0176M0H8P0R57L1/TS008761M0K6P4K81RAK63T0 е в съответствие с Директивата 2014/53/ЕО. Цялостният текст на ЕО декларацията за съответствие може да се намери на следния интернет адрес: https://www.marelli-corporation.com/en/products/red-doo/
[Greek]	Με την παρούσα אני, Marelli Corporation, δηλώνω ότι ο παρόντος τύπος K8P2/B7M/C/SS7.0176M0H8P0R57L1/TS008761M0K6P4K81RAK63T0 πληροί την οδηγία 2014/53/ΕΕ. Το πλήρες κείμενο της δήλωσης συμμόρφωσης ΕΕ διατίθεται στην ακόλουθη ιστοσελίδα στο διαδίκτυο: https://www.marelli-corporation.com/en/products/red-doo/
[Czech]	Tímto Marelly Corporation, prohlašuje, že typ rádiového zařízení K8P2/B7M/C/SS7.0176M0H8P0R57L1/TS008761M0K6P4K81RAK63T0 je v souladu se směrnicí 2014/53/EU. Úplný text EU prohlášení o shodě je k dispozici na této internetové adrese: https://www.marelli-corporation.com/en/products/red-doo/
[Danish]	Herved erklærer Marelli Corporation, at radioudrustningen K8P2/B7M/C/SS7.0176M0H8P0R57L1/TS008761M0K6P4K81RAK63T0 er i overensstemmelse med direktiv 2014/53/EU. Den fuldstændige tekst af den EU-erklæring er tilgængelig på følgende internetadresse: https://www.marelli-corporation.com/en/products/red-doo/
[Italian]	PIÙ fabbricante, Marelli Corporation, dichiara che il tipo di apparecchiatura radio K8P2/B7M/C/SS7.0176M0H8P0R57L1/TS008761M0K6P4K81RAK63T0 è conforme alla direttiva 2014/53/UE. Il testo completo della dichiarazione di conformità UE è disponibile al seguente indirizzo Internet: https://www.marelli-corporation.com/en/products/red-doo/
[Portuguese]	O(a) abaixo assinado(a) Marelli Corporation, declara que o presente tipo de equipamento de rádio K8P2/B7M/C/SS7.0176M0H8P0R57L1/TS008761M0K6P4K81RAK63T0 está em conformidade com a Diretiva 2014/53/UE. O texto integral da declaração de conformidade está disponível no seguinte endereço de Internet: https://www.marelli-corporation.com/en/products/red-doo/
[Finnish]	Marelli Corporation, vakuuttaa, että radiolaitetyyppi K8P2/B7M/C/SS7.0176M0H8P0R57L1/TS008761M0K6P4K81RAK63T0 on direktiivin 2014/53/EU mukainen. Hänen valmistuslaitteensa suomenkielinen täysimittainen teksti on saatavana seuraavassa internetosoitussa: https://www.marelli-corporation.com/en/products/red-doo/
[Swedish]	Harmed förklarar Marelli Corporation, att denna typ av radioutrustning K8P2/B7M/C/SS7.0176M0H8P0R57L1/TS008761M0K6P4K81RAK63T0 överensstämmer med direktiv 2014/53/EU. Den fullständiga texten till EU-erkläringen om överensstämmelse finns på följande webbsida: https://www.marelli-corporation.com/en/products/red-doo/
[Polish]	Marelli Corporation, niniejszym oświadczam, że typ urządzenia radiowego K8P2/B7M/C/SS7.0176M0H8P0R57L1/TS008761M0K6P4K81RAK63T0 jest zgodny z dyrektywą 2014/53/UE. Pełny tekst deklaracji zgodności UE jest dostępny pod następującym adresem internetowym: https://www.marelli-corporation.com/en/products/red-doo/
[Hungarian]	Marelli Corporation, igazolja, hogy a K8P2/B7M/C/SS7.0176M0H8P0R57L1/TS008761M0K6P4K81RAK63T0 típusú rádióberendezés megfelel a 2014/53/EU irányelvnek. Az EU-megfelelőségi nyilatkozat teljes szövege elérhető a következő internetes címen: https://www.marelli-corporation.com/en/products/red-doo/
[Slovak]	Marelli Corporation, týmto vyhlasuje, že rádiové zariadenie typu K8P2/B7M/C/SS7.0176M0H8P0R57L1/TS008761M0K6P4K81RAK63T0 je v súlade so smernicou 2014/53/EU. Úplný text vyhlásenia o zhode je k dispozícii na tejto internetovej adrese: https://www.marelli-corporation.com/en/products/red-doo/
[Slovenian]	Marelli Corporation, potrjuje, da je tip radijske opreme K8P2/B7M/C/SS7.0176M0H8P0R57L1/TS008761M0K6P4K81RAK63T0 skladen z Direktivo 2014/53/EU. Celoten besedilni tekst ogle EU skladnosti je na voljo na naslednji spletni naslov: https://www.marelli-corporation.com/en/products/red-doo/
[Estonian]	Käesolevaga deklareerib Marelli Corporation, et käesoleva raadioseadme tüüp K8P2/B7M/C/SS7.0176M0H8P0R57L1/TS008761M0K6P4K81RAK63T0 vastab direktiivi 2014/53/EL nõudele. Koopia vastavusedeklaratsioon on saadaval järgmises kohikes: https://www.marelli-corporation.com/en/products/red-doo/
[Lithuanian]	Ar šio laiško Marelli Corporation, deklaru, ka radioekvipo K8P2/B7M/C/SS7.0176M0H8P0R57L1/TS008761M0K6P4K81RAK63T0 atitinka Direktivos 2014/53/ES. Pils šio atitiktis deklaracijos teksta ir pjepras šio atitiktis interneto svetaine: https://www.marelli-corporation.com/en/products/red-doo/
[Latvian]	Ar šī laiška Marelli Corporation, pārrunā, kādā radioaprīkuma tipa K8P2/B7M/C/SS7.0176M0H8P0R57L1/TS008761M0K6P4K81RAK63T0 atbilst Direktīvas 2014/53/ES. Visas ES atbilstības deklarācijas teksta ir pieejams šādā internetā vietnē: https://www.marelli-corporation.com/en/products/red-doo/
[Romanian]	Prin prezenta, Marelli Corporation, declară că tipul de echipament radio K8P2/B7M/C/SS7.0176M0H8P0R57L1/TS008761M0K6P4K81RAK63T0 este în conformitate cu Directiva 2014/53/UE. Textul integral al declarației UE de conformitate este disponibil la următoarea adresă internet: https://www.marelli-corporation.com/en/products/red-doo/
[Croatian]	Marelli Corporation, ovime izjavljuje da je radijska oprema tipa K8P2/B7M/C/SS7.0176M0H8P0R57L1/TS008761M0K6P4K81RAK63T0 u skladu s Direktivom 2014/53/EU. Cijeli tekst EU izjave o skladnosti dostupan je na sljedećoj internetskoj adresi: https://www.marelli-corporation.com/en/products/red-doo/
[Icelandic]	Hér, Marelli Corporation, lýtur yfir að radióbúnaður tegund K8P2/B7M/C/SS7.0176M0H8P0R57L1/TS008761M0K6P4K81RAK63T0 er í samræmi við lískilgnum 2014/53/ESB. The fullur texti af ESB samræmi/finningur er í boði á eftirfarandi veffangi: https://www.marelli-corporation.com/en/products/red-doo/
[Norwegian]	Herved Marelli Corporation, erklærer at radioutrust type K8P2/B7M/C/SS7.0176M0H8P0R57L1/TS008761M0K6P4K81RAK63T0 er i samsvar med direktiv 2014/53/UE. Den fullstendige teksten i EU-erklæring er tilgjengelig på følgende internetadresse: https://www.marelli-corporation.com/en/products/red-doo/
[Macedonian]	Со ова, Marelli Corporation, изјавува дека типот на радио опрема K8P2/B7M/C/SS7.0176M0H8P0R57L1/TS008761M0K6P4K81RAK63T0 е во согласност со Директивата 2014/53/ЕУ. Целокупниот текст на декларацијата на ЕУ за соодветност е достапен на следниот интернет адреса: https://www.marelli-corporation.com/en/products/red-doo/
[Turkish]	Bu vesile ile, Marelli Corporation, radyo cihazını tip K8P2/B7M/C/SS7.0176M0H8P0R57L1/TS008761M0K6P4K81RAK63T0 Direktivi 2014/53/AB ile uyumlu olduğunu beyan eder. AB uyumlu beyanının tam metni aşağıdaki internet adresinden edilebilir: https://www.marelli-corporation.com/en/products/red-doo/
[Czechoslovakian]	Oveme, Marelli Corporation, izjavuje da je tip radio oprema K8P2/B7M/C/SS7.0176M0H8P0R57L1/TS008761M0K6P4K81RAK63T0 u skladu s Direktivom 2014/53/EU. Tekst deklaracije EU o skladnosti dostupen je na sljedećoj internet adresi: https://www.marelli-corporation.com/en/products/red-doo/



This symbol is intended to alert the user to the presence of important operating and maintenance (servicing) instructions in the literature accompanying the appliance.

Type	Frequency Band	Maximum radio-frequency power	Type	Frequency Band	Maximum radio-frequency power
S7L0	125 kHz	55.3 dBmV/m@10m	TS008	433.92 MHz	80.0 dBmV/m@3m
T6M0	125 kHz	55.2 dBmV/m@10m	T61M0	433.92 MHz	90.0 dBmV/m@3m
168P0	125 kHz	44.1 dBmV/m@10m	K63T0	125 kHz	41.9 dBmV/m@10m

WARNING

Do not ingest the battery. Chemical Burn Hazard
 (The remote control supplied with) This product contains a combination cell battery. If the combination cell battery is swallowed, it can cause severe internal burns in just 2 hours and can lead to death.
 Keep new and used batteries away from children.
 If the battery compartment does not close securely, stop using the product and keep it away from children.
 If you find batteries might have been swallowed or placed inside any part of the body, seek immediate medical attention



ALPS ELECTRIC CO., LTD. Engineering Headquarters
6-3-36, Nakazato, Furukawa, Oaaki-city, Miyagi-pref, 989-6181, Japan
R Phone +81 229-23-5111 Fax +81 229-22-6290

[English]	Hereby, ALPS ELECTRIC CO.,LTD., declares that the radio equipment type TWK1A001161M0 is in compliance with Directive 2014/53/EU. The full text of the EU declaration of conformity is available at the following internet address: http://www.alps.com/product/eu_eu01.html
[Dutch]	Hierbij verklaart ALPS ELECTRIC CO.,LTD., dat het type radioapparatuur TWK1A001161M0 conform is met Richtlijn 2014/53/EU. De volledige tekst van de EU-conformiteitsverklaring kan worden geraadpleegd op het volgende internetadres: http://www.alps.com/product/eu_eu01.html
[German]	Hiermit erklärt ALPS ELECTRIC CO.,LTD., dass der FunkanlagenTyp TWK1A001161M0 der Richtlinie 2014/53/EU entspricht. Der vollständige Text der EU-Konformitätserklärung ist unter der folgenden Internetadresse verfügbar: http://www.alps.com/product/eu_eu01.html
[French]	Le soussigné, ALPS ELECTRIC CO.,LTD., déclare que l'équipement radioélectrique du type TWK1A001161M0 est conforme à la directive 2014/53/UE. Le texte complet de la déclaration UE de conformité est disponible à l'adresse Internet suivante: http://www.alps.com/product/eu_eu01.html
[Spanish]	Por la presente, ALPS ELECTRIC CO., LTD., declara que el tipo de equipo radioeléctrico TWK1A001161M0 es conforme con la Directiva 2014/53/UE. El texto completo de la declaración UE de conformidad está disponible en la dirección Internet siguiente: http://www.alps.com/product/eu_eu01.html
[Bulgarian]	О съобщавам ALPS ELECTRIC CO.,LTD., че този тип радиосъоръжение TWK1A001161M0 е в съответствие с Директивата 2014/53/ЕС. Източният текст на ЕС декларацията за съответствие може да се намери на следния интернет адрес: http://www.alps.com/product/eu_eu01.html
[Greek]	Με την παρούσα ALPS ELECTRIC CO., LTD., δηλώνω ότι ο τύπος του ραδιοεξοπλισμού TWK1A001161M0 συμμορφώνεται με τη οδηγία 2014/53/ΕΕ. Το πλήρες κείμενο της δήλωσης συμμορφότητας ΕΕ βρίσκεται στην ακόλουθη ιστοσελίδα στο Internet: http://www.alps.com/product/eu_eu01.html
[Czech]	Typem ALPS ELECTRIC CO.,LTD., prohlašuji, že typ radiového zařízení TWK1A001161M0 je v souladu se směrnicí 2014/53/EU. Uplněný text EU prohlášení o shodě je k dispozici na této internetové adrese: http://www.alps.com/product/eu_eu01.html
[Danish]	Hiermed erklærer ALPS ELECTRIC CO.,LTD., at radioudrustningen TWK1A001161M0 er i overensstemmelse med direktiv 2014/53/EU. EU-overensstemmelseserklæringen ligger tilgængelig på følgende internetadresse: http://www.alps.com/product/eu_eu01.html
[Italian]	Il fabbricante, ALPS ELECTRIC CO.,LTD., dichiara che il tipo di apparecchiatura radio TWK1A001161M0 è conforme alla direttiva 2014/53/UE. Il testo completo della dichiarazione di conformità UE è disponibile al seguente indirizzo Internet: http://www.alps.com/product/eu_eu01.html
[Portuguese]	O(a) abaco assinado(a) ALPS ELECTRIC CO.,LTD., declara que o presente tipo de equipamento de rádio TWK1A001161M0 está em conformidade com a Diretiva 2014/53/UE. O texto integral da declaração de conformidade está disponível no seguinte endereço de Internet: http://www.alps.com/product/eu_eu01.html
[Finnish]	ALPS ELECTRIC CO.,LTD., vakuuttaa, että radiolaitetyyppi TWK1A001161M0 on direktivin 2014/53/EU mukainen. EU-suoritusvaatimusten täyttämisen todiste löytyy osoitteesta internetosoite: http://www.alps.com/product/eu_eu01.html
[Swedish]	Härmed förklarar ALPS ELECTRIC CO.,LTD., att denna typ av radioutrustning TWK1A001161M0 överensstämmer med direktiv 2014/53/EU. Den fullständiga texten till EU-förklarngen om överensstemmelse finns på följande webbadress: http://www.alps.com/product/eu_eu01.html
[Polish]	ALPS ELECTRIC CO.,LTD., niniejszym oświadczam, że typ urządzenia radiowego TWK1A001161M0 jest zgodny z dyrektywą 2014/53/UE. Pełny tekst deklaracji zgodności UE jest dostępny pod następującym adresem internetowym: http://www.alps.com/product/eu_eu01.html
[Hungarian]	ALPS ELECTRIC CO.,LTD., igazolja, hogy a TWK1A001161M0 típusú rádióberendezés megfelel a 2014/53/EU irányelvnek. Az EU-megfelelőségi nyilatkozat teljes szövege elérhető a következő internetes címen: http://www.alps.com/product/eu_eu01.html
[Slovak]	ALPS ELECTRIC CO.,LTD., týmto vyhlasuje, že rádiové zariadenie typu TWK1A001161M0 je v súlade so smernicou 2014/53/UE. Uplněný EU vyhlásenie o zhode je k dispozícii na tejto internetovej adrese: http://www.alps.com/product/eu_eu01.html
[Slovenian]	ALPS ELECTRIC CO.,LTD., potrjuje, da je tip naprave opreme TWK1A001161M0 skladen z Direktivo 2014/53/EU. Celotno besedilo izjave EU o skladnosti je na voljo na naslednjem spletnem naslovu: http://www.alps.com/product/eu_eu01.html
[Estonian]	Käesolevaga deklareerin ALPS ELECTRIC CO.,LTD., et käesolev raadioseadme tüüp TWK1A001161M0 vastab direktiivi 2014/53/EEL nõuetele. Koopia vastavusdeklaratsioon on saadaval järgmistel kohtadel. EU vastavusdeklaratsiooni täielik tekst on kättesaadav järgmistel interneti aadressidel: http://www.alps.com/product/eu_eu01.html
[Lithuanian]	Ar šiuo ALPS ELECTRIC CO.,LTD., deklaruju, kad radijoaparatus TWK1A001161M0 atitinka Direktyvą 2014/53/ES. Pilnas ES atitikties deklaracijos tekstas ir pieejams šią internetu svetainę: http://www.alps.com/product/eu_eu01.html
[Lithuanian]	Ar šiuo ALPS ELECTRIC CO.,LTD., pabrėžiu, kad radijo prietaisų tipas TWK1A001161M0 atitinka Direktyvą 2014/53/ES. Visas ES atitikties deklaracijos tekstas priimanamas šiuo internetu adresu: http://www.alps.com/product/eu_eu01.html
[Romanian]	Prin prezenta, ALPS ELECTRIC CO.,LTD., declar că tipul de echipament radio TWK1A001161M0 este în conformitate cu Directiva 2014/53/UE. Textul integral al declarației UE de conformitate este disponibil la următoarea adresă internet: http://www.alps.com/product/eu_eu01.html
[Croatian]	ALPS ELECTRIC CO.,LTD., ovime izjavljuju da je radijska oprema tipa TWK1A001161M0 u skladu s Direktivom 2014/53/EU. Cjeloviti tekst EU izjave o sukladnosti dostupan je na sljedećoj internetskoj adresi: http://www.alps.com/product/eu_eu01.html
[Bosnian]	Her, ALPS ELECTRIC CO.,LTD., izjavljamo da naš radio uređaj tipa TWK1A001161M0 er i samrarni s obzirom na Vaš zakon 2014/53/ESB. The full text of the EU declaration of conformity is available at the following internet address: http://www.alps.com/product/eu_eu01.html
[Bosnian]	Her, ALPS ELECTRIC CO.,LTD., potvrđuje da naš radio uređaj tipa TWK1A001161M0 er i samrarni s obzirom na Vaš zakon 2014/53/ESB. The full text of the EU declaration of conformity is available at the following internet address: http://www.alps.com/product/eu_eu01.html
[Norwegian]	Hermed fullstendige teksten til EU-erklæring er tilgjengelig på følgende internetadresse: http://www.alps.com/product/eu_eu01.html
[Macedonian]	Со ова, ALPS ELECTRIC CO.,LTD., изјавува дека типот на радио опрема TWK1A001161M0 е во соопатност со Директивата 2014/53/EU. Целошниот текст на декларацијата на ЕУ за соопатност е достапна на следниот Постојано интернет адреса: http://www.alps.com/product/eu_eu01.html
[Turkish]	Bu vesile ile, ALPS ELECTRIC CO.,LTD., radyo cihazını tipi TWK1A001161M0 Direktif 2014/53/AB ile uyumlu olduğunu beyan eder. Bu uyumlu internet adresinden detaylı bilgi edinilebilir: http://www.alps.com/product/eu_eu01.html
[Croatian]	Ovime, ALPS ELECTRIC CO.,LTD., izjavljamo da je naš radio uređaj tipa TWK1A001161M0 u skladu s Direktivom 2014/53/EU. Tekst deklaracije EU o sukladnosti dostupne su na sljedećoj internet adresi: http://www.alps.com/product/eu_eu01.html




Hereby, ALPS ELECTRIC CO.,LTD., declares that the radio equipment type TWK1A001161M0 is in compliance with the relevant statutory requirements.
The full text of the UK declaration of conformity is available at the following internet address: http://www.alps.com/product/eu_eu01.html

Type	Frequency Band	Maximum radio-frequency power
TWK1A001	125 MHz	60.4 dBm/10m
161M0	125 MHz	61.2 dBm/10m

English	Hereby, MITSUBISHI ELECTRIC CORPORATION, HIMEJI WORKS, declares that the radio equipment type Immobilizer System (IMB411-01) is in compliance with Directive 2014/53/EU. The full text of the EU declaration of conformity is available at the following internet address: http://www.mitsubishielectric.com/bu/automotive/doc/re.html
Bulgarian	Съобщаваме МITSUBISHI ELECTRIC CORPORATION, HIMEJI WORKS, декларира, че този тип радиооборудване Immobilizer System (IMB411-01) е в съответствие с Директива 2014/53/ЕО. Целия текст на ЕС декларацията за съответствие може да се намери на следния интернет адрес: http://www.mitsubishielectric.com/bu/automotive/doc/re.html
Spanish	Por la presente, MITSUBISHI ELECTRIC CORPORATION, HIMEJI WORKS declara que el tipo de equipo radioeléctrico Immobilizer System (IMB411-01) es conforme con la Directiva 2014/53/UE. El texto completo de la declaración UE de conformidad está disponible en la dirección Internet siguiente: http://www.mitsubishielectric.com/bu/automotive/doc/re.html
Czech	Tímto MITSUBISHI ELECTRIC CORPORATION, HIMEJI WORKS prohlašuje, že typ rádiového zařízení Immobilizer System (IMB411-01) je v souladu se směrnicí 2014/53/EU. Úplný znění EU prohlášení o shodě je k dispozici na této internetové adrese: http://www.mitsubishielectric.com/bu/automotive/doc/re.html
Danish	Hermed erklærer MITSUBISHI ELECTRIC CORPORATION, HIMEJI WORKS, at radioudstyret Immobilizer System (IMB411-01) er i overensstemmelse med direktiv 2014/53/EU. EU-overensstemmelseserklæringens fulde tekst kan findes på følgende internetadresse: http://www.mitsubishielectric.com/bu/automotive/doc/re.html
German	Hiermit erklärt MITSUBISHI ELECTRIC CORPORATION, HIMEJI WORKS, dass der Funkanlagentyp Immobilizer System (IMB411-01) der Richtlinie 2014/53/EU entspricht. Der vollständige Text der EU-Konformitätserklärung ist unter der folgenden Internetadresse verfügbar: http://www.mitsubishielectric.com/bu/automotive/doc/re.html
Estonian	Käesoleva deklaratsiooni teinud MITSUBISHI ELECTRIC CORPORATION, HIMEJI WORKS, ja käesolevat raadiosademe tüüp Immobilizer System (IMB411-01) vastab direktiivi 2014/53/EL nõuetele. EU vastavusdeklaratsiooni täielik tekst on kättesaadav järgmisel interneti aadressil: http://www.mitsubishielectric.com/bu/automotive/doc/re.html
Greek	Με την παρούσα επί MITSUBISHI ELECTRIC CORPORATION, HIMEJI WORKS, δηλώνει ότι ο ραδιοέξοπλισμός Immobilizer System (IMB411-01) πληροί την οδηγία 2014/53/ΕΕ. Το πλήρες κείμενο της δηλώσης συμμόρφωσης ΕΕ διατίθεται στην ακόλουθη ιστοσελίδα στο διαδίκτυο: http://www.mitsubishielectric.com/bu/automotive/doc/re.html
French	Le soussigné, MITSUBISHI ELECTRIC CORPORATION, HIMEJI WORKS, déclare que l'équipement radioélectrique du type Immobilizer System (IMB411-01) est conforme à la directive 2014/53/UE. Le texte complet de la déclaration UE de conformité est disponible à l'adresse internet suivante: http://www.mitsubishielectric.com/bu/automotive/doc/re.html
Croatian	Herewith I, MITSUBISHI ELECTRIC CORPORATION, HIMEJI WORKS, declare that the radio equipment type Immobilizer System (IMB411-01) is in compliance with Directive 2014/53/EU. Cjeloviti tekst EU izjave o sukladnosti dostupan je na sledećoj internetskoj adresi: http://www.mitsubishielectric.com/bu/automotive/doc/re.html
Italian	Il fabbricante, MITSUBISHI ELECTRIC CORPORATION, HIMEJI WORKS, dichiara che il tipo di apparecchiatura radio Immobilizer System (IMB411-01) è conforme alla direttiva 2014/53/UE. Il testo completo della dichiarazione di conformità UE è disponibile al seguente indirizzo Internet: http://www.mitsubishielectric.com/bu/automotive/doc/re.html
Latvian	Ar šo MITSUBISHI ELECTRIC CORPORATION, HIMEJI WORKS deklarē, ka radioārkārtas Immobilizer System (IMB411-01) atbilst Direktīvai 2014/53/ES. Pilns ES atbilstības deklarācijas teksts ir pieejams šādā internet vietnē: http://www.mitsubishielectric.com/bu/automotive/doc/re.html
Lithuanian	Šis MITSUBISHI ELECTRIC CORPORATION, HIMEJI WORKS, patvirtina, kad radio įrenginys tipas Immobilizer System (IMB411-01) atitinka Direktyvą 2014/53/ES. AS ES atitikties deklaracijos tekstas prieinamas šiuo interneto adresu: http://www.mitsubishielectric.com/bu/automotive/doc/re.html
Hungarian	MITSUBISHI ELECTRIC CORPORATION, HIMEJI WORKS igazolja, hogy a Immobilizer System (IMB411-01) típusú rádióberendezés megfelel a 2014/53/EU irányelvnek. Az EU-megfelelőségi nyilatkozat teljes szövege elérhető a következő internetes címen: http://www.mitsubishielectric.com/bu/automotive/doc/re.html
Maltese	B'dan, MITSUBISHI ELECTRIC CORPORATION, HIMEJI WORKS, nidduklja li id-ni tip ta' tagħmir tar-radju Immobilizer System (IMB411-01) huwa konformi mad-Direttiva 2014/53/UE. It-test kollu tad-dikjarazzjoni ta' konformità tal-UE huwa disponibbli f'dan l-indirizz tal-Internet li għej: http://www.mitsubishielectric.com/bu/automotive/doc/re.html
Dutch	Hierbij verklaar ik, MITSUBISHI ELECTRIC CORPORATION, HIMEJI WORKS, dat het type radioapparatuur Immobilizer System (IMB411-01) conform is met Richtlijn 2014/53/EU. De volledige tekst van de EU-conformiteitsverklaring kan worden opgezocht op het volgende internetadres: http://www.mitsubishielectric.com/bu/automotive/doc/re.html
Polish	MITSUBISHI ELECTRIC CORPORATION, HIMEJI WORKS niniejszym oświadcza, że typ urządzenia radiowego Immobilizer System (IMB411-01) jest zgodny z dyrektywą 2014/53/UE. Pełny tekst deklaracji zgodności UE jest dostępny pod następującym adresem internetowym: http://www.mitsubishielectric.com/bu/automotive/doc/re.html
Portuguese	O abaixo assinado MITSUBISHI ELECTRIC CORPORATION, HIMEJI WORKS declara que o presente tipo de equipamento de rádio Immobilizer System (IMB411-01) está em conformidade com a Diretiva 2014/53/UE. O texto integral da declaração de conformidade está disponível no seguinte endereço de Internet: http://www.mitsubishielectric.com/bu/automotive/doc/re.html
Romanian	Prin prezenta, MITSUBISHI ELECTRIC CORPORATION, HIMEJI WORKS declară că tipul de echipament radio Immobilizer System (IMB411-01) este în conformitate cu Directiva 2014/53/UE. Textul integral al declarației UE de conformitate este disponibil la următoarea adresă internet: http://www.mitsubishielectric.com/bu/automotive/doc/re.html
Slovak	MITSUBISHI ELECTRIC CORPORATION, HIMEJI WORKS týmto vyhlasuje, že rádiové zariadenie typu Immobilizer System (IMB411-01) je v súlade so smernicou 2014/53/EU. Úplné EU vyhlásenie o zhode je k dispozícii na tejto internetovej adrese: http://www.mitsubishielectric.com/bu/automotive/doc/re.html
Slovenian	MITSUBISHI ELECTRIC CORPORATION, HIMEJI WORKS potrjuje, da je tip radijske opreme Immobilizer System (IMB411-01) skladen z Direktivo 2014/53/EU. Celotno besedilo izjave EU o skladnosti je na voljo na naslednjem spletnem naslovu: http://www.mitsubishielectric.com/bu/automotive/doc/re.html
Finnish	MITSUBISHI ELECTRIC CORPORATION, HIMEJI WORKS vakuuttaa, että radiolaitetyyppi Immobilizer System (IMB411-01) on direktiivin 2014/53/EU mukainen. EU-vastatustenmukaisuusvakuutuksen täysimittainen teksti on saatavilla seuraavassa internetosoitteessa: http://www.mitsubishielectric.com/bu/automotive/doc/re.html
Swedish	Härmed försäkrar MITSUBISHI ELECTRIC CORPORATION, HIMEJI WORKS att denna typ av radioutrustning Immobilizer System (IMB411-01) överensstämmer med direktiv 2014/53/EU. Den fullständiga texten till EU-försäkran om överensstämmelse finns på följande webbadress: http://www.mitsubishielectric.com/bu/automotive/doc/re.html
Irish	Dearbhairbh MITSUBISHI ELECTRIC CORPORATION, HIMEJI WORKS leis seo, go bhfuil an cineál trealamh raidió Immobilizer System (IMB411-01) i gcomhréir le Treoir 2014/53/AE. Tá téacs iomlán den bhliainnseoirchea UE ar fáil ar an seoladh seo: http://www.mitsubishielectric.com/bu/automotive/doc/re.html
Norwegian	Hermed erklærer MITSUBISHI ELECTRIC CORPORATION, HIMEJI WORKS at denne typen radioutstyr Immobilizer System (IMB411-01) er i overensstemmelse med direktiv 2014/53/EU. Den fullstendige teksten til EU-samsvarserklæringen er tilgjengelig på følgende internetadresse: http://www.mitsubishielectric.com/bu/automotive/doc/re.html
Icelandic	Her með yfir, MITSUBISHI ELECTRIC CORPORATION, HIMEJI WORKS, yfir að radióbúnaðargærg Immobilizer System (IMB411-01) er í samræmi við tilskipun 2014/53/ESB. Aflur texti ESB samræmisvörðinganna er í boði á eftirfarandi veffangi: http://www.mitsubishielectric.com/bu/automotive/doc/re.html
Albanian	Përmes kësaj, MITSUBISHI ELECTRIC CORPORATION, HIMEJI WORKS, deklarohet se ky lloj i pajisjes radio Immobilizer System (IMB411-01) është në përputhje me Direktivën 2014/53/UE. Teksti i plotë i deklarimit së konformiteti të BE-së disponohet në adresën e mëposhtme të internetit: http://www.mitsubishielectric.com/bu/automotive/doc/re.html
Macedonian	Со ова, MITSUBISHI ELECTRIC CORPORATION, HIMEJI WORKS, izjavuva дека tipot na radio oprema Immobilizer System (IMB411-01) e во согласnost со Direktivata 2014/53/UE. Целиот текст на Deklaracijata na EU za soobraznost e dostapna na slednata internet adresa: http://www.mitsubishielectric.com/bu/automotive/doc/re.html
Смогорски језик	Овим, MITSUBISHI ELECTRIC CORPORATION, HIMEJI WORKS, izjavuje да је тип радио опреме Immobilizer System (IMB411-01) у складу са Direktivom 2014/53/EU.
Serbian	Овим, MITSUBISHI ELECTRIC CORPORATION, HIMEJI WORKS, izjavuje да је тип радио опреме Immobilizer System (IMB411-01) у складу са Direktivom 2014/53/EU.
Turkish	Boylelikle MITSUBISHI ELECTRIC CORPORATION, HIMEJI WORKS, radyo ekipmanı tipini Immobilizer System (IMB411-01) 2014/53/EU Direktifi ile uyumlu olduğunu beyan eder. AR uyumluğu beyanının tam metni aşağıdaki internet adresinde mevcuttur: http://www.mitsubishielectric.com/bu/automotive/doc/re.html

Frequency band(s) in which the radio equipment operates: 134.2 kHz
Maximum radio-frequency power transmitted in the frequency band(s) in which the radio equipment operates: 107 dBuV/m at 10 meters

Manufacturer:  MITSUBISHI ELECTRIC CORPORATION
HIMEJI WORKS
840, Chiyoda-machi, Himeji, Hyogo 670-8677, Japan



Radio Transmitter: S180052024, TIS-15 and Radio Receiver: 40398036

Manufacturer: Continental Automotive GmbH
Address: Seimenstrasse12 D-93055 Regensburg Germany
TEL : +49 941 790 8942 FAX : +49 941 790 998942

[Czech]	Timto Continental prohláší, že typ rádiového zařízení S180052024/TIS-15/40398036 je v souladu se směrnicí 2014/53/EU. Úplné znění EU prohlášení o shodě je k dispozici na této internetové adrese: http://continental-homologation.com/suzuki
[Danish]	Herved erklærer Continental, at radioudstyrtypen S180052024/TIS-15/40398036 er i overensstemmelse med direktiv 2014/53/EU. EU-overensstemmelseserklæringens fulde tekst kan findes på følgende internetadresse: http://continental-homologation.com/suzuki
[German]	Hiermit erkläre Continental, dass der Funkanlagentyp S180052024/TIS-15/40398036 der Richtlinie 2014/53/EU entspricht. Der vollständige Text der EU-Konformitätserklärung ist unter der folgenden Internetadresse verfügbar: http://continental-homologation.com/suzuki
[Estonian]	Käesolevaga deklareerib Continental, et käesoleva raadioseadme tüüp S180052024/TIS-15/40398036 vastab direktiivi 2014/53/EL nõuetele. ELi vastavusdeklaratsiooni täielik tekst on kättesaadav järgmisel internetiaadressil: http://continental-homologation.com/suzuki
[English]	Hereby, Continental declares that the radio equipment type S180052024/TIS-15/40398036 is in compliance with Directive 2014/53/EU. The full text of the EU declaration of conformity is available at the following internet address: http://continental-homologation.com/suzuki
[Spanish]	Por la presente, Continental declara que el tipo de equipo radioeléctrico S180052024/TIS-15/40398036 es conforme con la Directiva 2014/53/UE. El texto completo de la declaración UE de conformidad está disponible en la dirección Internet siguiente: http://continental-homologation.com/suzuki
[Greek]	Με την παρούσα ο/η Continental, δηλώνει ότι ο ραδιοεξοπλισμός S180052024/TIS-15/40398036 πληροί την οδηγία 2014/53/ΕΕ. Το πλήρες κείμενο της δήλωσης συμμόρφωσης ΕΕ διατίθεται στην ακόλουθη ιστοσελίδα στο διαδίκτυο: http://continental-homologation.com/suzuki
[French]	Le soussigné, Continental, déclare que l'équipement radioélectrique du type S180052024/TIS-15/40398036 est conforme à la directive 2014/53/UE. Le texte complet de la déclaration UE de conformité est disponible à l'adresse internet suivante: http://continental-homologation.com/suzuki
[Italian]	Il fabbricante, Continental, dichiara che il tipo di apparecchiatura radio S180052024/TIS-15/40398036 è conforme alla direttiva 2014/53/UE. Il testo completo della dichiarazione di conformità UE è disponibile al seguente indirizzo Internet: http://continental-homologation.com/suzuki
[Latvian]	Ar šo Continental deklarē, ka radioekārtā S180052024/TIS-15/40398036 atbilst Direktīvai 2014/53/ES. Pilns ES atbilstības deklarācijas teksts ir pieejams šādā interneta vietnē: http://continental-homologation.com/suzuki
[Lithuanian]	Aš, Continental, patvirtinu, kad radio įrenginių tipas S180052024/TIS-15/40398036 atitinka Direktyvą 2014/53/ES. Visas ES atitikties deklaracijos tekstas priemas šiuo interneto adresu: http://continental-homologation.com/suzuki
[Dutch]	Hierbij verklaar ik, Continental, dat het type radioapparatuur S180052024/TIS-15/40398036 conform is met Richtlijn 2014/53/EU. De volledige tekst van de EU-conformiteitsverklaring kan worden geraadpleegd op het volgende internetadres: http://continental-homologation.com/suzuki
[Maltese]	B'dan, Continental, niddikjarja li dan it-tip ta' tagħmir tar-radju S180052024/TIS-15/40398036 huwa konformi mad-Direttiva 2014/53/UE. It-test kollu tad-dikjarazzjoni ta' konformità tal-UE huwa disponibbli f'dan l-indirizz tal-Internet li ġej: http://continental-homologation.com/suzuki
[Hungarian]	Continental igazolja, hogy a S180052024/TIS-15/40398036 típusú rádióberendezés megfelel a 2014/53/EU irányelvnek. Az EU-megfelelőségi nyilatkozat teljes szövege elérhető a következő internetes címen: http://continental-homologation.com/suzuki
[Polish]	Continental niniejszym oświadcza, że typ urządzenia radiowego S180052024/TIS-15/40398036 jest zgodny z dyrektywą 2014/53/UE. Pełny tekst deklaracji zgodności UE jest dostępny pod następującym adresem internetowym: http://continental-homologation.com/suzuki
[Portuguese]	O(a) abaixo assinado(a) Continental declara que o presente tipo de equipamento de rádio S180052024/TIS-15/40398036 está em conformidade com a Diretiva 2014/53/UE. O texto integral da declaração de conformidade está disponível no seguinte endereço de Internet: http://continental-homologation.com/suzuki
[Slovenian]	Continental potrjuje, da je tip radijske opreme S180052024/TIS-15/40398036 skladen z Direktivo 2014/53/EU. Celotno besedilo izjave EU o skladnosti je na voljo na naslednjem spletnem naslovu: http://continental-homologation.com/suzuki
[Slovak]	Continental týmto vyhlasuje, že rádiové zariadenie typu S180052024/TIS-15/40398036 je v súlade so smernicou 2014/53/EU. Úplné EU vyhlásenie o zhode je k dispozícii na tejto internetovej adrese: http://continental-homologation.com/suzuki
[Finnish]	Continental vakuuttaa, että radiolaitetyyppi S180052024/TIS-15/40398036 on direktiivin 2014/53/EU mukainen. EU-vaatimustenmukaisuusvakuutuksen täysimittainen teksti on saatavilla seuraavassa internetosoitteessa: http://continental-homologation.com/suzuki
[Swedish]	Härmed försäkrar Continental att denna typ av radioutrustning S180052024/TIS-15/40398036 överensstämmer med direktiv 2014/53/EU. Den fullständiga texten till EU-försäkran om överensstämmelse finns på följande webbadress: http://continental-homologation.com/suzuki
[Icelandic]	Hér með lýsir Continental yfir því að S180052024/TIS-15/40398036 er í samræmi við grunnkröfur og aðrar kröfur, sem gerðar eru í tilskipun 2014/53/EC. The fullur texti af ESB-samræmisvilyfing er í boði á eftirfarandi vefvangi: http://continental-homologation.com/suzuki
[Norwegian]	Continental erklærer herved at utstyret S180052024/TIS-15/40398036 er i samsvar med de grunnleggende krav og øvrige relevante krav i direktiv 2014/53/UE. Den fullstendige teksten i EU-deklarasjon finnes på følgende internetadresse: http://continental-homologation.com/suzuki
[Turkish]	İşburada Continental, S180052024/TIS-15/40398036 ile Direktif 2014/53/AB'nin uymulu olduğunu beyan eder. AB uygunluk beyanını tam metni, aşağıdaki internet adresinde mevcuttur: http://continental-homologation.com/suzuki
[Romanian]	Prin prezenta, Continental declară că tipul de echipament radio S180052024/TIS-15/40398036 este în conformitate cu Directiva 2014/53/UE. Textul integral al declarației UE de conformitate este disponibil la următoarea adresă internet: http://continental-homologation.com/suzuki
[Bulgarian]	С настоящото Continental декларира, че този тип радиосъоръжение S180052024/TIS-15/40398036 е в съответствие с Директива 2014/53/ЕС. Цялостният текст на ЕС декларацията за съответствие може да се намери на следния интернет адрес: http://continental-homologation.com/suzuki
[Croatian]	Continental ovime izjavljuje da je radijska oprema tipa S180052024/TIS-15/40398036 u skladu s Direktivom 2014/53/UE. Cjeloviti tekst EU izjave o skladnosti dostupan je na sljedećoj internetskoj adresi: http://continental-homologation.com/suzuki
[Cmogorski jezik]	Ovim, Continental, izjavljuje da je tip radio opreme S180052024/TIS-15/40398036 u skladu sa Direktivom 2014/53/EU. Kompletan tekst EU izjave o uskladenosti nalazi se na sljedećoj Internet adresi: http://continental-homologation.com/suzuki
[Macedonian]	Prin prezenta, Continental deklarira ča tipul de ečipamente radio S180052024/TIS-15/40398036 este in conformitate cu Directiva 2014/53/UE. Textul integral al deklaracijai UE de conformitate este disponibil na urmatoarea adresa internet: http://continental-homologation.com/suzuki

CAUTION - Do not exposed to excessive heat such as sunshine, fire or the like.

S180052024 / TIS-15 : Frequency band : 433.92MHz
Maximum radio-Frequency power : <10mW e.r.p



frequency bands) in which the radio equipment operates. 433.52MHz

maximum radio-frequency power transmitted in the frequency bands) in which the radio equipment operates. 70dBm/60m

[English]	Handy ALPS ELECTRIC CO. LTD. declares that the radio equipment type 37182-AV37190-A7 is in compliance with Directive 2014/53/EU
[Italian]	Il presente apparecchio ALPS ELECTRIC CO. LTD. è conforme alle direttive 37182-AV37190-A7 e 37182-AV37190-A7. ALPS ELECTRIC CO. LTD. dichiara che l'apparecchio è conforme alla direttiva 2014/53/UE
[Dutch]	De volgende tekst van de EU- conformiteitsverklaring kan worden geadresseerd op het volgende internetadres: http://www.alps.com/products/eu_e1802.htm
[German]	Handy-Modell ALPS ELECTRIC CO. LTD. des Herst. Firmensitzes 37182-AV37190-A7, der Richtlinie 2014/53/EU entspricht.
[French]	Le modèle portable ALPS ELECTRIC CO. LTD. déclare que l'équipement radioélectrique du type 37182-AV37190-A7 est conforme à la directive 2014/53/UE
[Spanish]	El modelo móvil ALPS ELECTRIC CO. LTD. declara que el tipo de equipo radioeléctrico 37182-AV37190-A7 es conforme con la Directiva 2014/53/UE
[Portuguese]	Portátil presente ALPS ELECTRIC CO. LTD. declara que o presente tipo de equipamento de rádio 37182-AV37190-A7 está em conformidade com a Diretiva 2014/53/UE
[Bulgarian]	Съответен модел на радиоекипмант ALPS ELECTRIC CO. LTD. е в съответствие с директивата 37182-AV37190-A7 и с европейския съюзен акт за защита на околната среда 2014/53/ЕС
[Greek]	Η συσκευή ALPS ELECTRIC CO. LTD. είναι σε συμμόρφωση με την οδηγία 37182-AV37190-A7 και με τον κανονισμό 37182-AV37190-A7. Η ALPS ELECTRIC CO. LTD. δηλώνει ότι η συσκευή συμμορφώνεται με την οδηγία 2014/53/ΕΕ
[Czech]	Typu ALPS ELECTRIC CO. LTD. přístroje, 2x vyroběného zářičem 37182-AV37190-A7 je v souladu se směrnicí 2014/53/EU
[Danish]	Lignit zåtel EU-problemet o stadiet je x. disponit o lito internetna adresse: http://www.alps.com/products/eu_e1802.htm
[Finnish]	Handy-attinen ALPS ELECTRIC CO. LTD. -laitteen mallin nimi on 37182-AV37190-A7 ja se on suunniteltu ja valmistettu EU-direktiivin 2014/53/EU mukaisesti.
[Dutch]	EU-verenstreekverklaringen (Nieuw tekst kan links på folgende internetadresse: http://www.alps.com/products/eu_e1802.htm
[Italian]	Il presente apparecchio ALPS ELECTRIC CO. LTD. dichiara che il tipo di apparecchio radio 37182-AV37190-A7 è conforme alla direttiva 2014/53/UE
[Portuguese]	O novo modelo de equipamento de comunicação está disponível no seguinte endereço de internet: http://www.alps.com/products/eu_e1802.htm
[Finnish]	EU-direktiivin mukaisesti valmistettu ALPS ELECTRIC CO. LTD. -laitteen mallin nimi on 37182-AV37190-A7 ja se on suunniteltu ja valmistettu EU-direktiivin 2014/53/EU mukaisesti.
[Swedish]	Handy-utrustning ALPS ELECTRIC CO. LTD. är i överensstämmelse med direktiv 2014/53/EU
[Finnish]	Handy-tyylinen ALPS ELECTRIC CO. LTD. -laitteen mallin nimi on 37182-AV37190-A7 ja se on suunniteltu ja valmistettu EU-direktiivin 2014/53/EU mukaisesti.
[Polish]	Urządzenie marki ALPS ELECTRIC CO. LTD. spełnia wymagania dyrektywy 37182-AV37190-A7 w sprawie zgodności z dyrektywą 2014/53/UE
[Hungarian]	ALPS ELECTRIC CO. LTD. kijelenti, hogy a 37182-AV37190-A7 típusú rádióberendezés megfelel a 2014/53/EU irányelvnek.
[Slovak]	ALPS ELECTRIC CO. LTD. vyhlasuje, ze daná zariadenia typu 37182-AV37190-A7 je v súlade so smernicou 2014/53/UE
[Slovenian]	ALPS ELECTRIC CO. LTD. izjavlja, da je predloženo oprema 37182-AV37190-A7 skladna z Direktivo 2014/53/UE
[Estonian]	Kõrvaldada probleemid ALPS ELECTRIC CO. LTD. seadme kohta: http://www.alps.com/products/eu_e1802.htm
[Latvian]	Kā ALPS ELECTRIC CO. LTD. iekārtas, kas atbilst 37182-AV37190-A7, ir saskaņoti ar Direktīvu 2014/53/ES
[Lithuanian]	ALPS ELECTRIC CO. LTD. deklaruja, kad šioji prietaisai atitinka Direktyvą 2014/53/ES
[Romanian]	Prin prezenta, ALPS ELECTRIC CO. LTD. declara ca tipul de echipament radio 37182-AV37190-A7 este în conformitate cu Directiva 2014/53/UE
[Croatian]	ALPS ELECTRIC CO. LTD. izjavlja da je predloženo uređaj tipa 37182-AV37190-A7 u skladu s Direktivom 2014/53/EU
[Korean]	본 기기는 ALPS ELECTRIC CO. LTD.에서 제조된 것으로, 37182-AV37190-A7 규격에 적합하며, 2014/53/ES 지침을 준수합니다.
[Norwegian]	Den tilstøttede teksten i EU-erklæring og tilgjengelig på følgende internetadresse: http://www.alps.com/products/eu_e1802.htm
[Macedonian]	Ono ime ALPS ELECTRIC CO. LTD. -aparata je prema opsegu 37182-AV37190-A7 u skladu sa Direktivom 2014/53/UE
[Travels]	Unofficially translated text: http://www.alps.com/products/eu_e1802.htm
[Congolesi/itali]	Al vuntun boganun him nendi nguglika internet address: http://www.alps.com/products/eu_e1802.htm
[Congolesi/itali]	Handwritten text: http://www.alps.com/products/eu_e1802.htm


WARNING

Do not ingest the battery, Chemical Burn Hazard

(The remote control supplied with) This product contains a combination cell battery. If the combination cell battery is swallowed, it can cause severe internal burns in just 2 hours and can lead to death. Keep new and used batteries away from children.

If the battery compartment does not close securely, stop using the product and keep it away from children

If you think batteries might have been swallowed or placed inside any part of the body, seek immediate medical attention.



This symbol is intended to alert the user to the presence of important operating and maintenance (servicing) instructions in the literature accompanying the appliance.

CAUTION - Danger of explosion if battery is incorrectly replaced. Replace only with the same or equivalent type.
CAUTION - Do not exposed to excessive heat such as sunlight, fire or the like.



Fujitsu Ten Limited
2-28, Goshō-dori 1-chome, Hyogo-ku, Kobe, 652-8510 Japan
Tel: +81 78-671-5081 Fax: +81 78-671-5325



frequency band(s) in which the radio equipment operates; 2402 – 2480 MHz

maximum radio-frequency power transmitted in the frequency band(s) in which the radio equipment operates; 0.5 mW e.i.r.p.

[English]	Hereby, FUJITSU TEN LIMITED declares that the radio equipment type FT0086A is in compliance with Directive 2014/53/EU. The full text of the EU declaration of conformity is available at the following internet address: http://www.fujitsu-ten.com/support/regulation/eu_doc/
[Dutch]	Hierbij verklaar ik, FUJITSU TEN LIMITED, dat het type radioapparatuur FT0086A conform is met Richtlijn 2014/53/EU. De volledige tekst van de EU-conformiteitsverklaring kan worden geraadpleegd op het volgende internetadres: http://www.fujitsu-ten.com/support/regulation/eu_doc/
[German]	Hiermit erkläre FUJITSU TEN LIMITED, dass der Funkanlagentyp FT0086A der Richtlinie 2014/53/EU entspricht. Der vollständige Text der EU-Konformitätsklärung ist unter der folgenden Internetadresse verfügbar: http://www.fujitsu-ten.com/support/regulation/eu_doc/
[French]	Le soussigné, FUJITSU TEN LIMITED, déclare que l'équipement radioélectrique du type FT0086A est conforme à la directive 2014/53/UE. Le texte complet de la déclaration UE de conformité est disponible à l'adresse internet suivante: http://www.fujitsu-ten.com/support/regulation/eu_doc/
[Spanish]	Por la presente, FUJITSU TEN LIMITED declara que el tipo de equipo radioeléctrico FT0086A es conforme con la Directiva 2014/53/UE. El texto completo de la declaración UE de conformidad está disponible en la dirección Internet siguiente: http://www.fujitsu-ten.com/support/regulation/eu_doc/
[Bulgarian]	С настоящото FUJITSU TEN LIMITED декларира, че този тип радиосъоръжение FT0086A е в съответствие с Директива 2014/53/ЕС. Цялостният текст на ЕС декларацията за съответствие може да се намери на следния интернет адрес: http://www.fujitsu-ten.com/support/regulation/eu_doc/
[Greek]	Με την παρούσα ο/η FUJITSU TEN LIMITED, δηλώνει ότι ο ραδιοέκπομπός FT0086A πληροί την οδηγία 2014/53/ΕΕ. Το πλήρες κείμενο της δήλωσης συμμόρφωσης ΕΕ διατίθεται στην ακόλουθη ιστοσελίδα στο διαδίκτυο: http://www.fujitsu-ten.com/support/regulation/eu_doc/
[Czech]	Tímto FUJITSU TEN LIMITED prohlašuje, že typ rádiového zařízení FT0086A je v souladu se směrnicí 2014/53/EU. Úplné znění EU prohlášení o shodě je k dispozici na této internetové adrese: http://www.fujitsu-ten.com/support/regulation/eu_doc/
[Danish]	Hermed erklærer FUJITSU TEN LIMITED, at radioudstyret FT0086A er i overensstemmelse med direktiv 2014/53/EU. EU-overensstemmelseserklæringens fulde tekst kan findes på følgende internetadresse: http://www.fujitsu-ten.com/support/regulation/eu_doc/
[Italian]	Il fabbricante, FUJITSU TEN LIMITED, dichiara che il tipo di apparecchiatura radio FT0086A è conforme alla direttiva 2014/53/UE. Il testo completo della dichiarazione di conformità UE è disponibile al seguente indirizzo Internet: http://www.fujitsu-ten.com/support/regulation/eu_doc/
[Portuguese]	O(a) abaixo assinado(a) FUJITSU TEN LIMITED declara que o presente tipo de equipamento de rádio FT0086A está em conformidade com a Diretiva 2014/53/UE. O texto integral da declaração de conformidade está disponível no seguinte endereço de Internet: http://www.fujitsu-ten.com/support/regulation/eu_doc/
[Finnish]	FUJITSU TEN LIMITED vakuuttaa, että radiolaitetyyppi FT0086A on direktiivin 2014/53/EU mukainen. EU-vaatimustenmukaisuusvakuutuksen täysimittainen teksti on saatavilla seuraavassa internetosoitteessa: http://www.fujitsu-ten.com/support/regulation/eu_doc/
[Swedish]	Härmed försäkrar FUJITSU TEN LIMITED att denna typ av radioutrustning FT0086A överensstämmer med direktiv 2014/53/EU. Den fullständiga texten till EU-försäkran om överensstämmelse finns på följande webbadress: http://www.fujitsu-ten.com/support/regulation/eu_doc/
[Polish]	FUJITSU TEN LIMITED niniejszym oświadcza, że typ urządzenia radiowego FT0086A jest zgodny z dyrektywą 2014/53/UE. Pełny tekst deklaracji zgodności UE jest dostępny pod następującym adresem internetowym: http://www.fujitsu-ten.com/support/regulation/eu_doc/
[Hungarian]	FUJITSU TEN LIMITED igazolja, hogy a FT0086A típusú rádióberendezés megfelel a 2014/53/EU irányelvnek. Az EU-megfeleléssel nyilatkozat teljes szövege elérhető a következő internetes címen: http://www.fujitsu-ten.com/support/regulation/eu_doc/
[Slovak]	FUJITSU TEN LIMITED týmto vyhlasuje, že rádiové zariadenie typu FT0086A je v súlade so smernicou 2014/53/EU. Úplné vyhlásenie o zhode je k dispozícii na tejto internetovej adrese: http://www.fujitsu-ten.com/support/regulation/eu_doc/
[Slovenian]	FUJITSU TEN LIMITED izjavlja, da je tip radijske opreme FT0086A skladen s Direktivo 2014/53/UE. Celotno besedilo izjave EU o skladnosti je na voljo na naslednjem spletnem naslovu: http://www.fujitsu-ten.com/support/regulation/eu_doc/
[Estonian]	Käesolevaks deklareerib FUJITSU TEN LIMITED, et käesolev raadioseadme tüüp FT0086A vastab direktiivi 2014/53/EL nõuetele. EU vastavusdeklaratsiooni täielik tekst on kätesaadav järgmisel internetiaadressil: http://www.fujitsu-ten.com/support/regulation/eu_doc/
[Latvian]	Ar šo FUJITSU TEN LIMITED deklarē, ka radioiekārtas FT0086A atbilst Direktīvai 2014/53/ES. Plūns ES atbilstības deklarācijas teksts ir pieejams šādā interneta vietnē: http://www.fujitsu-ten.com/support/regulation/eu_doc/
[Lithuanian]	Aš, FUJITSU TEN LIMITED, patvirtinu, kad radijo įrenginys FT0086A atitinka Direktyvą 2014/53/ES. Visas ES atitikties deklaracijos tekstas prieinamas šiuo interneto adresu: http://www.fujitsu-ten.com/support/regulation/eu_doc/
[Romanian]	Prin prezenta, FUJITSU TEN LIMITED declară că tipul de echipamente radio FT0086A este în conformitate cu Directiva 2014/53/UE. Textul integral al declarației UE de conformitate este disponibil la următoarea adresă internet: http://www.fujitsu-ten.com/support/regulation/eu_doc/
[Croatian]	FUJITSU TEN LIMITED ovime izjavljujuje da je radijska oprema tipa FT0086A u skladu s Direktivom 2014/53/EU. Cjeloviti tekst EU izjave o sukladnosti dostupan je na sljedećoj internetskoj adresi: http://www.fujitsu-ten.com/support/regulation/eu_doc/
[Icelandic]	Hér með, yfir FUJITSU TEN LIMITED því yfir að gerð útvargsbúnaðarinn FT0086A samræmist tilskipun 2014/53/EU. Allar texti ESB-samræmyfyrirgáningarinn er aðgengilegar á eftirfarandi veffangi: http://www.fujitsu-ten.com/support/regulation/eu_doc/
[Norwegian]	FUJITSU TEN LIMITED erklærer herved at radioudstyret FT0086A er i samsvar med direktiv 2014/53/UE. Den fullstendige teksten i EU-erklæringen er tilgjengelig på følgende internetadresse: http://www.fujitsu-ten.com/support/regulation/eu_doc/
[Macedonian]	Со ова, FUJITSU TEN LIMITED изјавува дека радио опремата од типот FT0086A е во согласност со Директивата 2014/53/UE. Целомот текст на ЕУ изјавата за соодобраност е достапен на следната интернет адреса: http://www.fujitsu-ten.com/support/regulation/eu_doc/
[Turkish]	FUJITSU TEN LIMITED, FT0086A türü telase ekipmanının 2014/53/UE Direktifine uygun olduğunu beyan etmektedir. AB uygunluk beyanının tam metnine aşağıdaki internet adresinden ulaşılabilir: http://www.fujitsu-ten.com/support/regulation/eu_doc/
[Cmgorski jezik]	Dvim, FUJITSU TEN LIMITED izjavljuje da je tip radio opreme FT0086A u skladu sa Direktivom 2014/53/EU. Cjelokupan tekst EU deklaracije o uskladenosti dostupan je na sljedećoj internet adresi: http://www.fujitsu-ten.com/support/regulation/eu_doc/

Panasonic

Panasonic Corporation Automotive & Industrial Systems company
 4261 Ikonobe-cho, Tsuzuki-ku, Yokohama-shi, Kanagawa-ken, 224-8520, Japan
 Tel: +81 50-3609-7126 Fax: +81 45-931-6006

frequency band(s) in which the radio equipment operates; 2402-2480MHz
 maximum radio-frequency power transmitted in the frequency band(s) in which the radio equipment operates; 1.01 mW



[English]	Hereby, Panasonic Corporation declares that the radio equipment type CQ-J206F0JT,CQ-J206F1JT,CQ-J246F0JT,CQ-J246F1JT is in compliance with Directive 2014/53/EU. The full text of the EU declaration of conformity is available at the following internet address: http://www.ptc.panasonic.eu/
[Dutch]	Hierbij verklaar ik, Panasonic Corporation, dat het type radioapparatuur CQ-J206F0JT,CQ-J206F1JT,CQ-J246F0JT,CQ-J246F1JT conform is met Richtlijn 2014/53/EU.
[German]	Hiermit erkläre Panasonic Corporation, dass der Funkanlagenotyp CQ-J206F0JT,CQ-J206F1JT,CQ-J246F0JT,CQ-J246F1JT der Richtlinie 2014/53/EU entspricht.
[French]	Der vollständige Text der EU-Konformitätserklärung ist unter der folgenden Internetadresse verfügbar: http://www.ptc.panasonic.eu/ Le soussigné, Panasonic Corporation, déclare que l'équipement radioélectrique du type CQ-J206F0JT,CQ-J206F1JT,CQ-J246F0JT,CQ-J246F1JT est conforme à la directive 2014/53/UE. Le texte complet de la déclaration UE de conformité est disponible à l'adresse internet suivante: http://www.ptc.panasonic.eu/
[Spanish]	Por la presente, Panasonic Corporation declara que el tipo de equipo radioeléctrico CQ-J206F0JT,CQ-J206F1JT,CQ-J246F0JT,CQ-J246F1JT es conforme con la Directiva 2014/53/UE. El texto completo de la declaración UE de conformidad está disponible en la dirección Internet siguiente: http://www.ptc.panasonic.eu/
[Bulgarian]	С настоящото Panasonic Corporation декларира, че този тип радиосъоръжение CQ-J206F0JT,CQ-J206F1JT,CQ-J246F0JT,CQ-J246F1JT е в съответствие с Директива 2014/53/ЕО. Цялостният текст на ЕС декларацията за съответствие може да се намери на следния интернет адрес: http://www.ptc.panasonic.eu/
[Greek]	Με την παρούσα ο/η Panasonic Corporation, δηλώνει ότι ο ραδιοεξοπλισμός CQ-J206F0JT,CQ-J206F1JT,CQ-J246F0JT,CQ-J246F1JT πληροί την οδηγία 2014/53/ΕΕ. Το πλήρες κείμενο της δήλωσης συμμόρφωσης ΕΕ διατίθεται στην ακόλουθη ιστοσελίδα στο διαδίκτυο: http://www.ptc.panasonic.eu/
[Czech]	Tímto Panasonic Corporation prohlašuje, že typ rádiového zařízení CQ-J206F0JT,CQ-J206F1JT,CQ-J246F0JT,CQ-J246F1JT je v souladu se směrnicí 2014/53/EU. Úplně znění EU prohlášení o shodě je k dispozici na této internetové adrese: http://www.ptc.panasonic.eu/
[Danish]	Hermed erklærer Panasonic Corporation, at radioudstyrstypen CQ-J206F0JT,CQ-J206F1JT,CQ-J246F0JT,CQ-J246F1JT er i overensstemmelse med direktiv 2014/53/EU. EU-overensstemmelseerklæringens fulde tekst kan findes på følgende internetadresse: http://www.ptc.panasonic.eu/
[Italian]	Il fabbricante, Panasonic Corporation, dichiara che il tipo di apparecchiatura radio CQ-J206F0JT,CQ-J206F1JT,CQ-J246F0JT,CQ-J246F1JT è conforme alla direttiva 2014/53/UE. Il testo completo della dichiarazione di conformità UE è disponibile al seguente indirizzo Internet: http://www.ptc.panasonic.eu/
[Portuguese]	O tipo integral da declaração de conformidade está disponível no seguinte endereço de Internet: http://www.ptc.panasonic.eu/ O texto integral da declaração de conformidade está disponível no seguinte endereço de Internet: http://www.ptc.panasonic.eu/
[Finnish]	Panasonic Corporation vakuuttaa, että radiolaitetyypit CQ-J206F0JT,CQ-J206F1JT,CQ-J246F0JT,CQ-J246F1JT on direktiivin 2014/53/EU mukainen. EU-vaatimustenmukaisuusvakuutuksen täysimittainen teksti on saatavilla seuraavassa internetosoitteessa: http://www.ptc.panasonic.eu/
[Swedish]	Härmed förklarar Panasonic Corporation att denna typ av radioutrustning CQ-J206F0JT,CQ-J206F1JT,CQ-J246F0JT,CQ-J246F1JT överensstämmer med direktiv 2014/53/EU. Den fullständiga texten till EU-förklarar om överensstämmelse finns på följande webbadress: http://www.ptc.panasonic.eu/
[Polish]	Panasonic Corporation niniejszym oświadcza, że typ urzadzenia radiowego CQ-J206F0JT,CQ-J206F1JT,CQ-J246F0JT,CQ-J246F1JT jest zgodny z dyrektywą 2014/53/UE. Pełny tekst deklaracji zgodności UE jest dostępny pod następującym adresem internetowym: http://www.ptc.panasonic.eu/
[Hungarian]	Panasonic Corporation kijelenti, hogy a CQ-J206F0JT,CQ-J206F1JT,CQ-J246F0JT,CQ-J246F1JT típusú rádióberendezés megfelel a 2014/53/EU irányelvnek. Az EU-megfelelőségi nyilatkozat teljes szövege elérhető a következő internetes címen: http://www.ptc.panasonic.eu/
[Slovak]	Panasonic Corporation týmto vyhlasuje, že rádiové zariadenie typu CQ-J206F0JT,CQ-J206F1JT,CQ-J246F0JT,CQ-J246F1JT je v súlade so smernicou 2014/53/EU. Úplné EU vyhlásenie o zhode je k dispozícii na tejto internetovej adrese: http://www.ptc.panasonic.eu/
[Slovenian]	Panasonic Corporation potrjuje, da je tip radijske opreme CQ-J206F0JT,CQ-J206F1JT,CQ-J246F0JT,CQ-J246F1JT skladen z Direktivo 2014/53/UE. Celotno besedilo izjave EU o skladnosti je na voljo na naslednjem spletnem naslovu: http://www.ptc.panasonic.eu/
[Estonian]	Käesolevaga deklareerin Panasonic Corporation, et käesoleva raadioseadme tüüp CQ-J206F0JT,CQ-J206F1JT,CQ-J246F0JT,CQ-J246F1JT vastab direktiivi 2014/53/EL nõuetele. EU vastavusdeklaratsiooni täielik tekst on kättesaadav järgmisel internetiaadressil: http://www.ptc.panasonic.eu/
[Latvian]	Ar šo Panasonic Corporation deklarāciju, ka radioaparāta CQ-J206F0JT,CQ-J206F1JT,CQ-J246F0JT,CQ-J246F1JT atbilst Direktīvai 2014/53/ES. Pilns ES atbilstības deklarācijas teksts ir pieejams šādā internetā vietnē: http://www.ptc.panasonic.eu/
[Lithuanian]	Aš, Panasonic Corporation, patvirtinu, kad radijo įrenginio tipas CQ-J206F0JT,CQ-J206F1JT,CQ-J246F0JT,CQ-J246F1JT atitinka Direktyvą 2014/53/ES. Visas ES atitikties deklaracijos tekstas prieinamas šiuo interneto adresu: http://www.ptc.panasonic.eu/
[Romanian]	Prin prezenta, Panasonic Corporation declară că tipul de echipamente radio CQ-J206F0JT,CQ-J206F1JT,CQ-J246F0JT,CQ-J246F1JT este în conformitate cu Directiva 2014/53/UE. Textul integral al declarației UE de conformitate este disponibil la următoarea adresă internet: http://www.ptc.panasonic.eu/
[Croatian]	Panasonic Corporation ovdje izjavljuje da je radijska oprema tipa CQ-J206F0JT,CQ-J206F1JT,CQ-J246F0JT,CQ-J246F1JT u skladu s Direktivom 2014/53/UE. Cjeloviti tekst EU izjave o sukladnosti dostupan je na sljedećoj internetskoj adresi: http://www.ptc.panasonic.eu/
[Icelandic]	Hér með, lýsir Panasonic Corporation því yfir að gerð útværþrúnaðarinnis CQ-J206F0JT,CQ-J206F1JT,CQ-J246F0JT,CQ-J246F1JT samræmist tilskipun 2014/53/EU. Allur texti ESB-samræmislyfjýsingarinnar er aðgengilegur á eftirfarandi veffangi: http://www.ptc.panasonic.eu/
[Norwegian]	Panasonic Corporation erklærer herved at radioudstyrstypen CQ-J206F0JT,CQ-J206F1JT,CQ-J246F0JT,CQ-J246F1JT er i samsvar med direktiv 2014/53/EU. Den fullstendige teksten i EU-erklæringen er tilgjengelig på følgende internetadresse: http://www.ptc.panasonic.eu/
[Macedonian]	Со ова, Panasonic Corporation изјавува дека радио опремата од типот CQ-J206F0JT,CQ-J206F1JT,CQ-J246F0JT,CQ-J246F1JT е во согласност со Директивата 2014/53/UE. Целот текст на EU изјавата за сообразност е достапен на следната интернет адреса: http://www.ptc.panasonic.eu/
[Turkish]	Benim temsil ettiğim Panasonic Corporation, bu radyo ekipmanının CQ-J206F0JT,CQ-J206F1JT,CQ-J246F0JT,CQ-J246F1JT türü telsiz ekipmanının 2014/53/UE Direktifine uygun olduğunu beyan etmektedir. AB uyumluluk beyanının tam metninin aşağıdaki internet adresinden ulaşılabilir: http://www.ptc.panasonic.eu/
[Cmogosari jazyk]	Ovim, Panasonic Corporation izjavljuje da je tip radio opreme CQ-J206F0JT,CQ-J206F1JT,CQ-J246F0JT,CQ-J246F1JT u skladu sa Direktivom 2014/53/UE. Cjelokupan tekst EU deklaracije o usklađenosti dostupan je na sljedećoj internet adresi: http://www.ptc.panasonic.eu/

Panasonic

Panasonic Corporation Automotive & Industrial Systems company
 4261 Ikonobe-cho, Tsuzuki-ku, Yokohama-shi, Kanagawa-ken, 224-8520, Japan
 Tel: +81 50-3689-7126 Fax: +81 45-931-0806



frequency band(s) in which the radio equipment operates; 2402-2480MHz
 maximum radio-frequency power transmitted in the frequency band(s) in which the radio equipment operates; 0.618 mW

[English]	Hereby, Panasonic Corporation declares that the radio equipment type CQ-1Z93F0TT,CQ-1Z93F21T,CQ-1Z93F41T,CQ-1Z93F61T,CQ-1Z04F0AE,CQ-1Z04F1AE,CQ-1Z36E1AE,CQ-1Z36E3AE is in compliance with Directive 2014/53/EU. The full text of the EU declaration of conformity is available at the following internet address: http://www.ptc.panasonic.eu/
[Dutch]	Hierbij verklaart ik, Panasonic Corporation, dat het type radioapparatuur CQ-1Z93F0TT,CQ-1Z93F21T,CQ-1Z93F41T,CQ-1Z93F61T,CQ-1Z04F0AE,CQ-1Z04F1AE,CQ-1Z36E1AE,CQ-1Z36E3AE conform is met Richtlijn 2014/53/EU. De volledige tekst van de conformiteitsverklaring kan worden geraadpleegd op het volgende internetadres: http://www.ptc.panasonic.eu/
[German]	Hiermit erkläre Panasonic Corporation, dass der FunkanlagenTyp CQ-1Z93F0TT,CQ-1Z93F21T,CQ-1Z93F41T,CQ-1Z93F61T,CQ-1Z04F0AE,CQ-1Z04F1AE,CQ-1Z36E1AE,CQ-1Z36E3AE der Richtlinie 2014/53/EU entspricht. Der vollständige Text der EU-Konformitätserklärung ist unter der folgenden Internetadresse verfügbar: http://www.ptc.panasonic.eu/
[French]	Le soussigné, Panasonic Corporation, déclare que l'équipement radioélectrique du type CQ-1Z93F0TT,CQ-1Z93F21T,CQ-1Z93F41T,CQ-1Z93F61T,CQ-1Z04F0AE,CQ-1Z04F1AE,CQ-1Z36E1AE,CQ-1Z36E3AE est conforme à la directive 2014/53/UE. Le texte complet de la déclaration UE de conformité est disponible à l'adresse internet suivante: http://www.ptc.panasonic.eu/
[Spanish]	Por la presente, Panasonic Corporation declara que el tipo de equipo radioeléctrico CQ-1Z93F0TT,CQ-1Z93F21T,CQ-1Z93F41T,CQ-1Z93F61T,CQ-1Z04F0AE,CQ-1Z04F1AE,CQ-1Z36E1AE,CQ-1Z36E3AE es conforme con la Directiva 2014/53/UE. El texto completo de la declaración UE de conformidad está disponible en la dirección Internet siguiente: http://www.ptc.panasonic.eu/
[Bulgarian]	С настоящото Panasonic Corporation декларира, че този тип радиосъоръжение CQ-1Z93F0TT,CQ-1Z93F21T,CQ-1Z93F41T,CQ-1Z93F61T,CQ-1Z04F0AE,CQ-1Z04F1AE,CQ-1Z36E1AE,CQ-1Z36E3AE е в съответствие с Директива 2014/53/ЕО. Цялостният текст на ЕС декларацията за съответствие може да се намери на следния интернет адрес: http://www.ptc.panasonic.eu/
[Greek]	Με την παρούσα ο/η Panasonic Corporation, δηλώνει ότι ο ραδιοέξοπλισμός CQ-1Z93F0TT,CQ-1Z93F21T,CQ-1Z93F41T,CQ-1Z93F61T,CQ-1Z04F0AE,CQ-1Z04F1AE,CQ-1Z36E1AE,CQ-1Z36E3AE η/αποτί τη σύμμοη 2014/53/ΕΕ. Το πλήρες κείμενο της δήλωσης συμμότητας ΕΕ βρίσκεται στην ακόλουθη ιστοσελίδα στο ίκιο: http://www.ptc.panasonic.eu/
[Czech]	Úplně znění EU prohlášení o shodě je k dispozici na této internetové adrese: http://www.ptc.panasonic.eu/ Hermed erklærer Panasonic Corporation, at radioudstyretypen CQ-1Z93F0TT,CQ-1Z93F21T,CQ-1Z93F41T,CQ-1Z93F61T,CQ-1Z04F0AE,CQ-1Z04F1AE,CQ-1Z36E1AE,CQ-1Z36E3AE er i overensstemmelse med direktiv 2014/53/EU. EU-overensstemmelseserklæringerens fulde tekst kan findes på følgende internetadresse: http://www.ptc.panasonic.eu/
[Danish]	EU-overensstemmelseserklæringerens fulde tekst kan findes på følgende internetadresse: http://www.ptc.panasonic.eu/
[Italian]	Il testo completo della dichiarazione di conformità UE è disponibile al seguente indirizzo Internet: http://www.ptc.panasonic.eu/
[Portuguese]	O(a) abaixo assinado(a) Panasonic Corporation declara que o presente tipo de equipamento de rádio CQ-1Z93F0TT,CQ-1Z93F21T,CQ-1Z93F41T,CQ-1Z93F61T,CQ-1Z04F0AE,CQ-1Z04F1AE,CQ-1Z36E1AE,CQ-1Z36E3AE está em conformidade com a Diretiva 2014/53/UE. O texto integral da declaração de conformidade está disponível no seguinte endereço de Internet: http://www.ptc.panasonic.eu/
[Finnish]	Panasonic Corporation vakuuttaa, että radiolaitetyypit CQ-1Z93F0TT,CQ-1Z93F21T,CQ-1Z93F41T,CQ-1Z93F61T,CQ-1Z04F0AE,CQ-1Z04F1AE,CQ-1Z36E1AE,CQ-1Z36E3AE on direktiivin 2014/53/EU mukainen. EU-yhteensopimustietojen täysimittainen teksti on saatavilla seuraavassa internetosoitteessa: http://www.ptc.panasonic.eu/
[Swedish]	Härmed förklarar Panasonic Corporation att denna typ av radioutrustning CQ-1Z93F0TT,CQ-1Z93F21T,CQ-1Z93F41T,CQ-1Z93F61T,CQ-1Z04F0AE,CQ-1Z04F1AE,CQ-1Z36E1AE,CQ-1Z36E3AE överensstämmer med direktiv 2014/53/EU. Den fullständiga texten till EU-förklaringen om överensstämmelse finns på följande webbadress: http://www.ptc.panasonic.eu/
[Polish]	Panasonic Corporation niniejszym oświadczam, że typ urządzenia radiowego CQ-1Z93F0TT,CQ-1Z93F21T,CQ-1Z93F41T,CQ-1Z93F61T,CQ-1Z04F0AE,CQ-1Z04F1AE,CQ-1Z36E1AE,CQ-1Z36E3AE jest zgodny z dyrektywą 2014/53/UE. Pełny tekst deklaracji zgodności UE jest dostępny pod następującym adresem internetowym: http://www.ptc.panasonic.eu/
[Hungarian]	Panasonic Corporation, hereby declares that the radio equipment type CQ-1Z93F0TT,CQ-1Z93F21T,CQ-1Z93F41T,CQ-1Z93F61T,CQ-1Z04F0AE,CQ-1Z04F1AE,CQ-1Z36E1AE,CQ-1Z36E3AE típusú rádióberendezés megfelel a 2014/53/EU irányelvnek. Az EU-megfelelőségi nyilatkozat teljes szövegét elérhető a következő internetes címen: http://www.ptc.panasonic.eu/
[Slovak]	Panasonic Corporation týmto vyhlasuje, že rádiové zariadenie typu CQ-1Z93F0TT,CQ-1Z93F21T,CQ-1Z93F41T,CQ-1Z93F61T,CQ-1Z04F0AE,CQ-1Z04F1AE,CQ-1Z36E1AE,CQ-1Z36E3AE je v súlade so smernicou 2014/53/UE. Úplné EU vyhlásenie o zhode je k dispozícii na tejto internetovej adrese: http://www.ptc.panasonic.eu/
[Slovenian]	Panasonic Corporation potrjuje, da je tip radijske opreme CQ-1Z93F0TT,CQ-1Z93F21T,CQ-1Z93F41T,CQ-1Z93F61T,CQ-1Z04F0AE,CQ-1Z04F1AE,CQ-1Z36E1AE,CQ-1Z36E3AE skladen z Direktivo 2014/53/UE. Celoten besedilo izjave EU o skladnosti je na voljo na naslednjem spletnem naslovu: http://www.ptc.panasonic.eu/
[Estonian]	Käesolevaga deklareerib Panasonic Corporation, et käesolev raadioseadme tüüp CQ-1Z93F0TT,CQ-1Z93F21T,CQ-1Z93F41T,CQ-1Z93F61T,CQ-1Z04F0AE,CQ-1Z04F1AE,CQ-1Z36E1AE,CQ-1Z36E3AE vastab direktiivi 2014/53/UE nõuetele. EU vastavusdeklaratsiooni täielik tekst on kätesaadav järgmisel internetiaadressil: http://www.ptc.panasonic.eu/
[Latvian]	Ar šo Panasonic Corporation deklarāciju, ka radioiekārtu CQ-1Z93F0TT,CQ-1Z93F21T,CQ-1Z93F41T,CQ-1Z93F61T,CQ-1Z04F0AE,CQ-1Z04F1AE,CQ-1Z36E1AE,CQ-1Z36E3AE atbilst Direktīvai 2014/53/ES. Pilns ES atbilstības deklarācijas teksts ir pieejams šādā internetā vietnē: http://www.ptc.panasonic.eu/
[Lithuanian]	Šiuo Panasonic Corporation, patvirtinu, kad radio įrenginio tipas CQ-1Z93F0TT,CQ-1Z93F21T,CQ-1Z93F41T,CQ-1Z93F61T,CQ-1Z04F0AE,CQ-1Z04F1AE,CQ-1Z36E1AE,CQ-1Z36E3AE atitinka Direktyvą 2014/53/ES. Visas ES atitikties deklaracijos tekstas prieinamas šiuo interneto adresu: http://www.ptc.panasonic.eu/
[Romanian]	Prin prezenta, Panasonic Corporation declară că tipul de echipament radio CQ-1Z93F0TT,CQ-1Z93F21T,CQ-1Z93F41T,CQ-1Z93F61T,CQ-1Z04F0AE,CQ-1Z04F1AE,CQ-1Z36E1AE,CQ-1Z36E3AE este în conformitate cu Directiva 2014/53/UE. Textul integral al declarației UE de conformitate este disponibil la următoarea adresă internet: http://www.ptc.panasonic.eu/
[Croatian]	Panasonic Corporation ovime izjavljuje da je radijska oprema tipa CQ-1Z93F0TT,CQ-1Z93F21T,CQ-1Z93F41T,CQ-1Z93F61T,CQ-1Z04F0AE,CQ-1Z04F1AE,CQ-1Z36E1AE,CQ-1Z36E3AE u skladu s Direktivom 2014/53/UE. Cjeloviti tekst izjave EU o skladnosti dostupan je na sljedećoj internetskoj adresi: http://www.ptc.panasonic.eu/
[Icelandic]	Hér með, Ísyr Panasonic Corporation því yfir að gerð úvargspáunáunárens CQ-1Z93F0TT,CQ-1Z93F21T,CQ-1Z93F41T,CQ-1Z93F61T,CQ-1Z04F0AE,CQ-1Z04F1AE,CQ-1Z36E1AE,CQ-1Z36E3AE samræmt tilskipun 2014/53/UE. Allur texti ESB-samræmisýfyrirsagnarinn er aðgengilegur á eftirfarandi veffangi: http://www.ptc.panasonic.eu/
[Norwegian]	Panasonic Corporation erklærer herved at radioutstyretypen CQ-1Z93F0TT,CQ-1Z93F21T,CQ-1Z93F41T,CQ-1Z93F61T,CQ-1Z04F0AE,CQ-1Z04F1AE,CQ-1Z36E1AE,CQ-1Z36E3AE er i samsvar med direktiv 2014/53/UE. Den fullstendige teksten i EU-erklæringen er tilgjengelig på følgende internetadresse: http://www.ptc.panasonic.eu/
[Macedonian]	Со ова, Panasonic Corporation изјавува дека радио опремата од типот CQ-1Z93F0TT,CQ-1Z93F21T,CQ-1Z93F41T,CQ-1Z93F61T,CQ-1Z04F0AE,CQ-1Z04F1AE,CQ-1Z36E1AE,CQ-1Z36E3AE е во согласност со Директивата 2014/53/UE. Целостен текст на ЕУ изјавата за соодобаност е достапен на следниот интернет адрес: http://www.ptc.panasonic.eu/
[Turkish]	Panasonic Corporation, bu şekilde şunu beyan ederim: CQ-1Z93F0TT,CQ-1Z93F21T,CQ-1Z93F41T,CQ-1Z93F61T,CQ-1Z04F0AE,CQ-1Z04F1AE,CQ-1Z36E1AE,CQ-1Z36E3AE türü teklif edilmeyen 2014/53/UE Direktifine uygun olduğunu beyan etmektedir. AB uygunluk beyanının tam metnini aşağıdaki internet adresinden ulaşabilirsiniz: http://www.ptc.panasonic.eu/
[Cromogorski jezik]	Ovime, Panasonic Corporation izjavljuje da je tip radio opreme CQ-1Z93F0TT,CQ-1Z93F21T,CQ-1Z93F41T,CQ-1Z93F61T,CQ-1Z04F0AE,CQ-1Z04F1AE,CQ-1Z36E1AE,CQ-1Z36E3AE u skladu sa Direktivom 2014/53/UE. Cjelovikan tekst EU deklaracije o usklađenosti dostupan je na sljedećoj internet adresi: http://www.ptc.panasonic.eu/

Panasonic

Panasonic Corporation Automotive & Industrial Systems company
4261 Ikonobe-cho, Tsuzuki-ku, Yokohama-shi, Kanagawa-ken, 224-8520, Japan
Tel: +81 50-3689-7126 Fax: +81 45-931-0806



[English]	Hereby, Panasonic Corporation declares that the radio equipment type CQ-J293F11T,CQ-J293F31T,CQ-J293F51T,CQ-J293F71T,CQ-CZ36E0AE,CQ-CZ36E2AE is in compliance with Directive 2014/53/EU. The full text of the EU declaration of conformity is available at the following internet address: http://www.ptc.panasonic.eu/
[Dutch]	Hierbij verklaart Panasonic Corporation, dat het type radioapparatuur CQ-J293F11T,CQ-J293F31T,CQ-J293F51T,CQ-J293F71T,CQ-CZ36E0AE,CQ-CZ36E2AE conform is met Richtlijn 2014/53/EU.
[German]	Hiermit erklärt Panasonic Corporation, dass der Funkanlagenotyp CQ-J293F11T,CQ-J293F31T,CQ-J293F51T,CQ-J293F71T,CQ-CZ36E0AE,CQ-CZ36E2AE der Richtlinie 2014/53/EU entspricht.
[French]	Der vollständige Text der EU-Konformitätserklärung ist unter der folgenden Internetadresse verfügbar: http://www.ptc.panasonic.eu/
[Spanish]	Por la presente, Panasonic Corporation, declara que el tipo de equipo radioeléctrico CQ-J293F11T,CQ-J293F31T,CQ-J293F51T,CQ-J293F71T,CQ-CZ36E0AE,CQ-CZ36E2AE es conforme con la Directiva 2014/53/EU. El texto completo de la declaración UE de conformidad está disponible en la dirección Internet siguiente: http://www.ptc.panasonic.eu/
[Bulgarian]	С настоящото Panasonic Corporation декларира, че този тип радиосъоръжение CQ-J293F11T,CQ-J293F31T,CQ-J293F51T,CQ-J293F71T,CQ-CZ36E0AE,CQ-CZ36E2AE е в съответствие с Директива 2014/53/ЕС. Цялостният текст на ЕС декларацията за съответствие може да се намери на следния интернет адрес: http://www.ptc.panasonic.eu/
[Greek]	Με την παρούσα ο/η Panasonic Corporation, δηλώνει ότι ο ραδιοεξοπλισμός CQ-J293F11T,CQ-J293F31T,CQ-J293F51T,CQ-J293F71T,CQ-CZ36E0AE,CQ-CZ36E2AE πληροί την οδηγία 2014/53/ΕΕ.
[Czech]	Úplný text EU prohlášení o shodě je k dispozici na této internetové adrese: http://www.ptc.panasonic.eu/
[Danish]	Hiermed erklærer Panasonic Corporation, at radioudrustningen CQ-J293F11T,CQ-J293F31T,CQ-J293F51T,CQ-J293F71T,CQ-CZ36E0AE,CQ-CZ36E2AE er i overensstemmelse med direktiv 2014/53/EU.
[Italian]	Il fabbricante, Panasonic Corporation, dichiara che il tipo di apparecchiatura radio CQ-J293F11T,CQ-J293F31T,CQ-J293F51T,CQ-J293F71T,CQ-CZ36E0AE,CQ-CZ36E2AE è conforme alla direttiva 2014/53/EU.
[Portuguese]	O texto completo della declaração de conformidade UE é disponível al seguinte endereço de Internet: http://www.ptc.panasonic.eu/
[Finnish]	Panasonic Corporation vakuuttaa, että radiolaitetyypit CQ-J293F11T,CQ-J293F31T,CQ-J293F51T,CQ-J293F71T,CQ-CZ36E0AE,CQ-CZ36E2AE on direktiivin 2014/53/EU mukainen.
[Swedish]	Härmed förklarar Panasonic Corporation att denna typ av radioutrustning CQ-J293F11T,CQ-J293F31T,CQ-J293F51T,CQ-J293F71T,CQ-CZ36E0AE,CQ-CZ36E2AE överensstämmer med direktiv 2014/53/EU.
[Polish]	Panasonic Corporation niniejszym oświadcza, że typ urządzenia radiowego CQ-J293F11T,CQ-J293F31T,CQ-J293F51T,CQ-J293F71T,CQ-CZ36E0AE,CQ-CZ36E2AE jest zgodny z dyrektywą 2014/53/UE.
[Hungarian]	Panasonic Corporation igazolja, hogy a CQ-J293F11T,CQ-J293F31T,CQ-J293F51T,CQ-J293F71T,CQ-CZ36E0AE,CQ-CZ36E2AE típusú rádióberendezés megfelel a 2014/53/EU irányelvnek.
[Slovak]	Panasonic Corporation týmto vyhlasuje, že rádiové zariadenie typu CQ-J293F11T,CQ-J293F31T,CQ-J293F51T,CQ-J293F71T,CQ-CZ36E0AE,CQ-CZ36E2AE je v súlade so smernicou 2014/53/EU.
[Slovenian]	Panasonic Corporation potrjuje, da je tip radijske opreme CQ-J293F11T,CQ-J293F31T,CQ-J293F51T,CQ-J293F71T,CQ-CZ36E0AE,CQ-CZ36E2AE skladen z Direktivo 2014/53/EU.
[Estonian]	Käesolevaga deklareerin Panasonic Corporation, et käesolev raadioseadme tüüp CQ-J293F11T,CQ-J293F31T,CQ-J293F51T,CQ-J293F71T,CQ-CZ36E0AE,CQ-CZ36E2AE vastab direktiivi 2014/53/EÜ nõuetele.
[Latvian]	Ar šo Panasonic Corporation deklarā, ka radioiekārtas CQ-J293F11T,CQ-J293F31T,CQ-J293F51T,CQ-J293F71T,CQ-CZ36E0AE,CQ-CZ36E2AE atbilst Direktīvai 2014/53/ES.
[Lithuanian]	Aš, Panasonic Corporation, patvirtinu, kad radioji įrenginys tipo CQ-J293F11T,CQ-J293F31T,CQ-J293F51T,CQ-J293F71T,CQ-CZ36E0AE,CQ-CZ36E2AE atitinka Direktyvą 2014/53/ES.
[Romanian]	Prin prezenta, Panasonic Corporation declară că tipul de echipamente radio CQ-J293F11T,CQ-J293F31T,CQ-J293F51T,CQ-J293F71T,CQ-CZ36E0AE,CQ-CZ36E2AE este în conformitate cu Directiva 2014/53/UE.
[Croatian]	Textualni integralni deklaracijski teksti su dostupni na sljedećim adresama interneta: http://www.ptc.panasonic.eu/
[Icelandic]	Her með, yfir Panasonic Corporation því yfir á gerð útvörpunáðarinnis CQ-J293F11T,CQ-J293F31T,CQ-J293F51T,CQ-J293F71T,CQ-CZ36E0AE,CQ-CZ36E2AE samræmist tilskipun 2014/53/UE.
[Norwegian]	Panasonic Corporation erklærer herved at radioudrustningen CQ-J293F11T,CQ-J293F31T,CQ-J293F51T,CQ-J293F71T,CQ-CZ36E0AE,CQ-CZ36E2AE er i samsvar med direktiv 2014/53/EU.
[Macedonian]	Den fullstendige teksten til EU-erklæringen er tilgjengelig på følgende internetadresse: http://www.ptc.panasonic.eu/
[Turkish]	AB uyumluğun beyanının tam metnini aşağıdaki internet adresinden ulaşabilirsiniz: http://www.ptc.panasonic.eu/
[Cmorgarski jezik]	Opisno, Panasonic Corporation izjavlja, da je tip radio opreme CQ-J293F11T,CQ-J293F31T,CQ-J293F51T,CQ-J293F71T,CQ-CZ36E0AE,CQ-CZ36E2AE u skladu sa Direktivom 2014/53/EU.
	Целостан текст на ЕУ изјавата за соодобност е достапен на следната интернет адреса: http://www.ptc.panasonic.eu/
	AB uyumluğun beyanının tam metnini aşağıdaki internet adresinden ulaşabilirsiniz: http://www.ptc.panasonic.eu/
	Opisno, Panasonic Corporation izjavlja, da je tip radio opreme CQ-J293F11T,CQ-J293F31T,CQ-J293F51T,CQ-J293F71T,CQ-CZ36E0AE,CQ-CZ36E2AE u skladu sa Direktivom 2014/53/EU.
	Целостан текст на ЕУ изјавата за соодобност е достапен на следната интернет адреса: http://www.ptc.panasonic.eu/



Robert Bosch Car Multimedia GmbH
Robert-Bosch-Str.200,31139 Hildesheim



BOSCH

Frequency band: 2400MHz-2480MHz
Radiated power [EIRP]: Bluetooth < 10mW

[English]	Hereby, Robert Bosch Car Multimedia GmbH declares that the radio equipment type "52R0" is in compliance with Directive 2014/53/EU. The full text of the EU declaration of conformity is available at the following internet address: www.suzuki-slda.com
[Dutch]	Hierbij verklaar ik, Robert Bosch Car Multimedia GmbH, dat het type radioapparatuur "52R0" conform is met Richtlijn 2014/53/EU. De volledige tekst van de EU-conformiteitsverklaring kan worden geraadpleegd op het volgende internetadres: www.suzuki-slda.com
[German]	Hiermit erklärt Robert Bosch Car Multimedia GmbH, dass der Funkanlagentyp „52R0“ der Richtlinie 2014/53/EU entspricht. Der vollständige Text der EU-Konformitätserklärung ist unter der folgenden Internetadresse verfügbar: www.suzuki-slda.com .
[French]	Le soussigné, Robert Bosch Car Multimedia GmbH, déclare que l'équipement radioélectrique du type « 52R0 » est conforme à la directive 2014/53/UE. Le texte complet de la déclaration UE de conformité est disponible à l'adresse internet suivante: www.suzuki-slda.com
[Spanish]	Por la presente, Robert Bosch Car Multimedia GmbH declara que el tipo de equipo radioeléctrico "52R0" es conforme con la Directiva 2014/53/UE. El texto completo de la declaración UE de conformidad está disponible en la dirección Internet siguiente: www.suzuki-slda.com
[Greek]	Με την παρούσα ο/η Robert Bosch Car Multimedia GmbH, δηλώνει ότι ο ραδιοεξοπλισμός "52R0" πληροί την οδηγία 2014/53/ΕΕ. Το πλήρες κείμενο της δήλωσης συμμόρφωσης ΕΕ διατίθεται στην ακόλουθη ιστοσελίδα στο διαδίκτυο: www.suzuki-slda.com
[Czech]	Tímto Robert Bosch Car Multimedia GmbH prohlašuje, že typ rádiového zařízení „52R0“ je v souladu se směrnicí 2014/53/EU. Úplné znění EU prohlášení o shodě je k dispozici na této internetové adrese: www.suzuki-slda.com
[Danish]	Hermed erklærer Robert Bosch Car Multimedia GmbH, at radioudstyrstypen "52R0" er i overensstemmelse med direktiv 2014/53/EU. EU-overensstemmelseserklæringens fulde tekst kan findes på følgende internetadresse: www.suzuki-slda.com
[Italian]	Il fabbricante, Robert Bosch Car Multimedia GmbH, dichiara che il tipo di apparecchiatura radio "52R0" è conforme alla direttiva 2014/53/UE. Il testo completo della dichiarazione di conformità UE è disponibile al seguente indirizzo Internet: www.suzuki-slda.com
[Portuguese]	O(a) abaixo assinado(a) Robert Bosch Car Multimedia GmbH declara que o presente tipo de equipamento de rádio "52R0" está em conformidade com a Diretiva 2014/53/UE. O texto integral da declaração de conformidade está disponível no seguinte endereço de Internet: www.suzuki-slda.com
[Finnish]	Robert Bosch Car Multimedia GmbH vakuuttaa, että radiolaitetyyppi "52R0" on direktiivin 2014/53/EU mukainen. EU-vaatimustenmukaisuusvakuutuksen täysimittainen teksti on saatavilla seuraavassa internetosoitteessa: www.suzuki-slda.com
[Swedish]	Härmed försäkrar Robert Bosch Car Multimedia GmbH att denna typ av radioutrustning "52R0" överensstämmer med direktiv 2014/53/EU. Den fullständiga texten till EU-försäkran om överensstämmelse finns på följande webbadress: www.suzuki-slda.com
[Polish]	Robert Bosch Car Multimedia GmbH niniejszym oświadcza, że typ urządzenia radiowego "52R0" jest zgodny z dyrektywą 2014/53/UE. Pełny tekst deklaracji zgodności UE jest dostępny pod następującym adresem internetowym: www.suzuki-slda.com
[Norwegian]	Robert Bosch Car Multimedia GmbH erklærer herved at radioudstyret av typen «52R0» samsvarer med direktiv 2014/53/EU. Den fullstendige teksten for EU-samsvarserklæringen er tilgjengelig på nettstedet: www.suzuki-slda.com
[Russian]	Сим Robert Bosch Car Multimedia GmbH заявляет, что тип радиооборудования «52R0» соответствует положениям Директивы 2014/53/ЕС. Полный текст Декларации о соответствии требованиям ЕС доступен на веб-сайте: www.suzuki-slda.com

EU Declaration of Conformity (Doc)

1. Name and address of the manufacturer or his authorised representative:

Company name: Robert Bosch GmbH, Chassis Systems Control, CC-DA/ECR
 Postal address: PO Box 1661
 Postcode / City: 71226, Leonberg
 Telephone number: +49 7141/811-0
 E-Mail address: ITA.BoschRadar@de.bosch.com

2. Radio equipment (product, type, batch or serial number):

Apparatus model/Product: MRRevo14F automotive radar sensor
 Type: Motion Detector for TTT application
 Batch: N/A
 Serial number: R88-65818.05.1604394312

3. This declaration of conformity is issued under the sole responsibility of the manufacturer:

Robert Bosch GmbH, Chassis Systems Control, CC-DA/ECR

4. Object of the declaration (Identification of apparatus allowing traceability: it may include a colour image of sufficient clarity where necessary for the identification of the radio equipment):

Product Model name:	MRRevo14F	
Product description:	Mid-range radar sensor	
Hardware version:	V3.1	
Software version:	I3.3	

5. The object of the declaration described above is in conformity with the relevant Union harmonisation legislation:

RE-D Directive 2014/53/EU	...
Other Union harmonisation legislation where applicable:...	...


6. References to the relevant harmonised standards used or references to the other technical specifications in relation to which conformity is declared. References must be listed with their identification number and version and, where applicable, date of issue:

Art 3.1a: Health of persons and animals	EN 62311
Art 3.1a: Safety	IEC 62368-1:2014 (2nd Edition) + Cor. 1: 2015 + Cor.2:2015 EN62368-1: 2014 + AC: 2015
Art 3.1b: EMC	ETSI EN 301 489-1 V2.1.1, ETSI EN 301 489-3 V1.6.1 ETSI EN 301 489-51 V1.1.1
Art 3.2: Radio: Efficient use of spectrum	DRAFT ETSI EN 301 091-1 V2.1.0 DRAFT ETSI EN 303 396 V1.1.0

7. Where applicable, the notified body ..(name, number)...performed ... (description of intervention) ... and issued the EU-type examination certificate: ...:

Name: CTC Advanced GmbH
 Reference number of the certificate of notified body: T817765E-01-TEC
 4 digit notified body number: 0682

8. Additional information:

Signed for and on behalf of: Katrina Velten
 Leonberg, Germany
 Date of issue: 2017-05-23
 Place of issue
 Name, function, signature


ROBERT BOSCH GMBH
 Chassis Systems Control
 Postfach 1661
 71226 Leonberg
 Germany

Annex (EN/DE/BG/HR/EL/CS/DA/ET/FI/FR/HU/IT/LV/LT/MT/NL/PL/PT/RO/SK/SL/ES/SV)

(EN) EU DECLARATION OF CONFORMITY (1) / (DE) EU-KONFORMITÄTSERKÄRUNG (1) / (BG) ЕС ДЕКЛАРАЦИЯ ЗА СЪОТВЕТСТВИЕ (1) / (HR) EU IZJAVA O SUKLADNOSTI (1) / (EL) ΔΗΛΩΣΗ ΣΥΜΜΟΡΦΟΣΗΣ ΕΕ (1) / (CS) EU PROHLÁŠENÍ O SHODĚ (1) / (DA) EU-OVERENSSTEMMELSEERKLÆRING (1) / (ET) ELI VASTAVUSDEKLARATSIOON (1) / (FI) EU-VAATIMUSTENMUKAISUUSVAKUUTUS (1) / (FR) DECLARATION DE CONFORMITE (1) / (HU) (1) EU-MEGFELELŐSÉGI NYILATKOZAT / (IT) DICHIARAZIONE DI CONFORMITÀ UE (1) / (LV) ES ATBILSTĪBAS DEKLĀRĀCIJA (1) / (LT) ES ATITIKTIES DEKLARACIJA (1) / (MT) DIKJARAZZJONI TA' KONFORMITÀ TAL-UE (1) / (NL) EU-CONFORMITEITSVERKLARING (1) / (PL) DEKLARACJA ZGODNOŚCI UE (1) / (PT) DECLARAÇÃO UE DE CONFORMIDADE (1) / (RO) DECLARAȚIA UE DE CONFORMITATE (1) / (SK) EU VYHLÁŠENIE O ZHODE (1) / (SL) IZJAVA EU O SKLADNOSTI (1) / (SV) EU-FÖRSÄKRAN OM ÖVERENSSTÄMMELSE (1) / (ES) CONFORMIDAD (1) / (SV) EU-FÖRSÄKRAN OM ÖVERENSSTÄMMELSE (1)

1. (EN) Name and address of the manufacturer or his authorised representative: / (DE) Name und Anschrift des Herstellers oder seines Bevollmächtigten: / (BG) Име и адрес на произвождателя или на неговия упълномощен представител: / (HR) Име i adresa proizvođača ili njegovog ovlaštenog zastupnika: / (EL) Όνομα και διεύθυνση του κατασκευαστή ή του εξουσιοδοτημένου αντιπροσώπου του: / (CS) Jméno a adresa výrobce nebo jeho zplnomocněného zástupce: / (DA) Navn og adresse på fabrikanten eller dennes bemyndigede repræsentant: / (ET) Tootja või tema volitatud esindaja nimi ja aadress: / (FI) Valmistajan tai sen valtuutetun edustajan nimi ja osoite: / (FR) Nom et adresse du fabricant ou de son mandataire: / (HU) A gyártó vagy meghatalmazott képviselőjének neve és címe: / (IT) Nome e indirizzo del fabbricante o del suo rappresentante autorizzato: / (LV) Ražotāja vai viņa pilnvarotā pārstāvja vārds, uzvārds/nosaukums un adrese: / (LT) Gamintojo arba įgaliojotojo atstovo pavadinimas ir adresas: / (MT) L-isem u l-indirizz tal-manifattur jew tar-rappreżentant awtorizzat tiegħu: / (NL) Naam en adres van de fabrikant of zijn gemachtigde: / (PL) Nazwa i adres producenta lub jego upoważnionego przedstawiciela: / (PT) Nome e endereço do fabricante ou do respetivo mandatário: / (RO) Denumirea și adresa producătorului sau a reprezentantului său autorizat: / (SK) Meno a adresa výrobcu alebo jeho splnomocneného zástupcu: / (SL) Ime in naslov proizvajalca ali njegovega pooblaščenega zastopnika: / (ES) Nombre y dirección del fabricante o de su representante autorizado: / (SV) Namn på och adress till tillverkaren eller dennes representant:

2. (EN) Radio equipment (product, type, batch or serial number): / (DE) Funkanlage (Produkt-, Typen-, Chargen- oder Seriennummer): / (BG) Радиосъоръжение (номер на продукта, тип, партиден или серийен номер): / (HR) Radijska oprema (proizvod, tip, vrsta ili serijski broj): / (EL) Ραδιοεξοπλισμός (ημοτίπος, τύπος, αριθμός παρτίδας ή σειράς αριθμός): / (CS) Rádio zařízení (číslo výrobku, typu či série nebo sériové číslo): / (DA) Radioudstyr (produkt-, part-, type- eller serienummer): / (ET) Radioseades (toode, tüüp, partii- või seerialnumber): / (FI) Radiolaitte (tuote-, tyyppi-, erä- tai sarjanumero): / (FR) Equipement radioélectrique (numéro de produit, de type, de lot ou de série): / (HU) Rádióberendezés (termék-, típus-, tétel- vagy sorozatszám): / (IT) Apparecchiatura radio (numero di prodotto, di tipo, di lotto o di serie): / (LV) Radioiekārtā (produkta, tipa, partijas vai sērijas numurs): / (LT) Radijo įrenginys (gaminto, partijos, tipo ar serijos numeris): / (MT) It-tagħmir tar-radju (numru tal-prodott, tal-lott, tat-tip jew tas-serje): / (NL) Radioapparatuur (product-, type-, partij- of serienummer): / (PL) Urządzenie radiowe (numer produktu, typu, partii lub serii): / (PT) Equipamento de rádio (número do produto, do tipo, do lote ou de série): / (RO) Echipamentele radio (numărul produsului, al tipului, al lotului sau numărul de serie): / (SK) Rádiové zariadenie (výrobok, typ, číslo šarže alebo sériové číslo): / (SL) Radijska oprema (produkt, vrsta, serija ali serijska številka): / (ES) Equipo radioeléctrico (producto, tipo, lote o número de serie): / (SV) Radioutrustning (produkt-, typ-, partieller serienummer):

3. (EN) This declaration of conformity is issued under the sole responsibility of the manufacturer: / (DE) Die alleinige Verantwortung für die Ausfertigung dieser Konformitätserklärung trägt der Hersteller: / (BG) Насротова декларация за съответствие е издадена на отговорността на произвождателя: / (HR) Za izdavanje ove izjave o sukladnosti odgovoran je isključivo proizvođač: / (EL) Η αποκλειστική ευθύνη εκδόσεως αυτής της ενοποιημένης ενοποιημένης κατασκευαστή: / (CS) Toto prohlášení o shodě se vydává na výhradní odpovědnost výrobce: / (DA) Denne overensstemmelseerklæring udstedes på fabrikantens ansvar: / (ET) Käesolev vastavusdeklaratsioon on välja antud tootja ainuvastutusele: / (FI) Tämä vaatimustenmukaisuusvakuutus on annettu valmistajan yksinomaisella vastuulla: / (FR) La présente déclaration de conformité est établie sous la seule responsabilité du fabricant: / (HU) Ezt a megfelelőségi nyilatkozatot a gyártó kizárólagos felelőssége mellett adták ki: / (IT) La presente dichiarazione di conformità è rilasciata sotto l'esclusiva responsabilità del fabbricante: / (LV) Šī atbilstības deklarācija ir izdota vengti uz šāda ražotāja atbildību: / (LT) Ši atitikties deklaracija išduota tik gamintojo atsakomybe: / (MT) Din id-dikjarazzjoni tal-konformità tinhareg taht ir-responsabbiltà unika tal-manifattur: / (NL) Deze conformiteitsverklaring wordt afgegeven onder volledige verantwoordelijkheid van de fabrikant: / (PL) Niniejszą deklarację zgodności wydaje się na wyłączną odpowiedzialność producenta: / (PT) A presente declaração de conformidade é emitida sob a exclusiva responsabilidade do fabricante: / (RO) Prezenta declarație de conformitate este emisă pe răspunderea exclusivă a producătorului: / (SK) Toto vyhlásenie o zhode sa vydáva na výhradnú zodpovednosť výrobcu: / (SL) Za izdajo te izjave o skladnosti je odgovoren izključno proizvajalec: / (ES) La presente declaración de conformidad se expide bajo la exclusiva responsabilidad del fabricante: / (SV) Denna försäkran om överensstämmelse utfärdas på tillverkarens eget ansvar.

4. (EN) Object of the declaration (Identification of the radio equipment allowing traceability. It may include a colour image of sufficient clarity where necessary for the identification of the radio equipment) / (DE) Gegenstand der Erklärung (Beschreibung der Funkanlage zwecks Rückverfolgbarkeit; sie kann erforderlichenfalls eine hinreichend deutliche farbige Abbildung enthalten, auf der die Funkanlage erkennbar ist) / (BG) Предмет на декларацията (идентификация на радиоапарата; може да включва достатъчно ясно цветно изображение, когато това е необходимо за целите на идентификацията на радиоапарата) / (HR) Predmet izjave (identifikacija radijske opreme koja omogućuje pražnju sledivost; može prema potrebi obuhvatiti dovoljno jasnu sliku u boji koja omogućuje identifikaciju radijske opreme) / (EU) Архетипао тръбљивога (идентификација на радиоапаратуау по захтева бивахт три црвенцко сликарство. Могуће ва неопходно ва целите на идентификацијата на радиоапаратуау по захтева бивахт три црвенцко сликарство) / (CS) Předmět prohlášení (identifikace radiového zařízení umožňující je zpětné vysledovat. Může zahrnovat dostatečně zřetelné barevné zobrazení, pokud je to k identifikaci radiového zařízení nutné) / (DA) Erklæringsgenstand (identifikation af radioudstyret, så det kan spores, der kan vedlægges et farvefoto, der er tilstrækkeligt klart, hvis det er nødvendigt for identifikation af radioudstyret) / (ET) Deklaratsioonitööde (radioseadme määratlus, mis võimaldab toodet jälitada. Isada võib ka lisavalt selge värvilise kujutise, kui see on vajalik raadioseadme identifitseerimiseks) / (FI) Vakuutusksen kohde (ajäljettävyyden mahdollistava radiolaitteen tunnistus; siihen voidaan sisällyttää tarvittaessa riittävä määrä värikuvaa radiolaitteen tunnistamista varten) / (FR) Objet de la déclaration (identification de l'équipement radioélectrique permettant sa traçabilité; au besoin, une image couleur suffisamment claire peut être jointe pour permettre l'identification de l'équipement radioélectrique) / (HU) Anyilatkozat tárgya (a rádióberendezés azonosítása a nyomkövethetőség biztosítására; adott esetben megfelelő élességű színes kép is tartalmazhat, amennyiben ez a rádióberendezés azonosításához szükséges) / (IT) Oggetto della dichiarazione (identificazione dell'apparecchiatura radio che ne consenta la tracciabilità. Essa può comprendere un'immagine a colori sufficientemente chiara se necessario per l'identificazione dell'apparecchiatura radio) / (LV) Deklarācijas priekšmets (radioelektriskās identifikācija, kas nodrošina tāš izsekojamību, vajadzības gadījumā tajā var iekļaut priekšmetu skaidru krāsru fotogrāfiju, ja tas nepieciešams radioelektriskās identifikācijai) / (LT) Deklaracijos objektas (radio įrenginio identifikacijai duomenys, pagali kuriuos ji galima atsekti; gali būti pateikiamas spalvotus atvaizdas, pakankamai aiškus, kad prietiks priekais radio įrenginį būtų galima identifikuoti) / (MT) L-għan tad-dikjarazzjoni (l-identifikazzjoni tat-tagħmir tar-radju li tippermetti t-traccabbiltà; din tista tinkludi immagine bi-kulur ta serazza suffiċjenti meta tkun meħtieġa għal-identifikazzjoni tat-tagħmir tar-radju) / (NL) Voorwerp van de verklaring (identificatie van de radioapparatuur waarmee deze traceerbaar is; wanneer dat voor de identificatie van de radioapparatuur noodzakelijk is, mag een voldoende duidelijke afbeelding in kleur worden bijgevoegd) / (PL) Przedmiot deklaracji (identyfikator urządzenia radioowego umożliwiający jego identyfikowalność; może zawierać obraz barwny wystarczająco wyraźny, kiedy konieczna jest zidentyfikowalność urządzenia radioowego) / (PT) Objeto da declaração (identificação do equipamento de rádio que permita rastreá-lo; pode incluir, se for caso disso, uma imagem a cores suficientemente clara para permitir identificar o equipamento de rádio) / (RO) Obiectul declarației (identificarea echipamentelor radio permitând trasabilitatea; poate include o imagine color suficient de clară în cazul în care acest lucru este necesar pentru identificarea echipamentelor radio) / (SK) Predmet vyhlásenia (identifikačná radiového zariadenia umožňujúca vysledovateľnosť. V prípade potreby môže obsahovať dostatočne zrozumiteľný farebný obrázok, ktorý umožní jeho identifikáciu radového zariadenia) / (SL) Predmet izjave (identifikacija radijske opreme, ki omogoča sledivost; po potrebi lahko vključuje dovolj jasno barvno sliko, ki omogoča identifikacijsko radijske opreme) / (ES) Objeto de la declaración (identificación del equipo radioeléctrico que permita la trazabilidad; puede incluir, cuando sea necesario, una imagen en color de claridad suficiente para la identificación del equipo radioeléctrico) / (SV) Föremål för försäkran (identifiera radioutrustningen så att den kan spåras; den kan innehålla en färbild som är så tydlig att det går att identifiera radioutrustningen)

5. (EN) The object of the declaration described above is in conformity with the relevant Union harmonisation legislation. Directive 2014/53/EU. Other Union harmonisation legislation where applicable / (DE) Der oben beschriebene Gegenstand der Erklärung erfüllt die einschlägigen Harmonisierungsrechtsvorschriften der Union. Richtlinie 2014/53/EU, gegebenenfalls weitere Harmonisierungsrechtsvorschriften der Union / (BG) Предметът на декларацията, описан по-горе, отговаря на съответното законодателство на Съюза за хармонизация. Директива 2014/53/ЕО, друго законодателство на Съюза за хармонизация, когато е приложимо / (HR) Predhodno opisani predmet izjave u skladu je s relevantnim zakonodavstvom Unije o usklađivanju; Direktivom 2014/53/EU, drugim zakonodavstvom Unije o usklađivanju prema potrebi / (EU) Ο οστος της δήλωσης που περιγράφεται παραπάνω είναι σύμφωνα προς τα σχετικά εσωαακήν υποδοθέντα ενομοιοτύτητα; Οδηγία 2014/53/ΕΕ. Άλλη εσωαακήν υποδοθέντα ενομοιοτύτητα, κατά περίπτωση / (CS) Vše popsaný předmět prohlášení je ve shodě s příslušnými harmonizačními právními předpisy Unie; směrnice 2014/53/EU v náležitých případech dále harmonizační právní předpisy Unie / (DA) Genstanden for erklæringen, som beskrevet ovenfor, er i overensstemmelse med den relevante EU-harmoniseringslovgivning; Direktiv 2014/53/EU. Eventuelt anden EU-harmoniseringslovgivning / (ET) Üklarijelaatuda deklaratsioonitööde toode on kooskõlas asjakohaste liidu ühtlustamisõigusaktidega; Direktiiv 2014/53/EL, muud liidu ühtlustamisõigusaktid (vajaduse korral) / (FI) Edellä kuvattu vakuutusksen kohde on asia koskevan unionin yhdenmukaistamisäädännön vaatimusten mukainen; Direktiivi 2014/53/EU. Muu unionin yhdenmukaistamisäädösten (tarvuksen mukaan) / (FR) L'objet de la déclaration décrit ci-dessus est conforme à la législation d'harmonisation de l'Union applicable; Directive 2014/53/UE. Autres législations d'harmonisation de l'Union, s'il y a lieu / (HU) A fent ismertetett nyilatkozat tárgyá meglelő a vonatkozó unióis harmonizációs jogszabályoknak; a 2014/53/EU iránlyva, adott esetben egyéb unióis harmonizációs jogszabályok / (IT) L'oggetto della dichiarazione di cui sopra è conforme alle adottate normative di armonizzazione dell'Unione; Direttiva 2014/53/UE. Se del caso, altre normative di armonizzazione dell'Unione / (LV) Iepriekš

aprakstītais deklarācijas priekšmets atbilst attiecīgajam Savienības saskaņotajam tiesību aktam., Direktīva 2014/53/ES, Cītam Savienības saskaņotajam tiesību aktam, ja piemērojams (LT) Pirmiau aprašītais deklarācijas objekts attinās susijusiu darinamuisus Sajānosus teisās aktus., Direktīva 2014/53/ES; kītus darinamuisus Sajānosus teisās aktus., jēgu taikoma. /(MT) L-għan ta-d-dikjarazzjoni deskritt hawn fuq huwa konformi mal-legiżlazzjoni ta' armonizzazzjoni rilevanti tal-Unjoni., Id-Direttiva 2014/53/UE, Legiżlazzjoni dwar l-armonizzazzjoni oħra tal-Unjoni meta tkun applikabbli /(NL) Het hierboven beschreven voorwerp van de verklaring is in overeenstemming met de desbetreffende harmonisatiewetgeving van de Unie., Richtlijn 2014/53/UE; andere harmonisatiewetgeving van de Unie, indien van toepassing. /(PL) Wymieniony powyżej przedmiot niniejszej deklaracji jest zgodny z odnoszonymi wymaganiami unijnego prawodawstwa harmonizacyjnego., dyrektywa 2014/53/UE, innym unijnym prawodawstwem harmonizacyjnym, w stosownych przypadkach. /(PT) O objeto da declaração acima mencionada está em conformidade com a legislação de harmonização da União aplicável., Diretiva 2014/53/UE; Outra legislação de harmonização da União, se aplicável. /(RO) Obiectul declarației descris mai sus este în conformitate cu legislația relevantă de armonizare a Uniunii.; Directiva 2014/53/UE, După caz, alte acte din legislația de armonizare a Uniunii (SK) Uvedený predmet vyhlásenia je v zhode s príslušnými harmonizačnými právnymi predpismi Únie.; Smernica 2014/53/UE, Prípadne ďalšie harmonizačné právne predpisy Únie (SV) Predmet navedene izjave je v skladu z ustrezno zakonodajo Unije o harmonizaciji.; Direktiva 2014/53/UE, Po potrebi z druge zakonodaje Unije o harmonizaciji (ES) El objeto de la declaración descrito anteriormente es conforme con la legislación de armonización pertinente de la Unión.; Directiva 2014/53/UE, Otra legislación de armonización de la Unión, cuando sea aplicable (SV) Föremålet för försäkran ovan översensstämmer med den relevanta unionslagstiftningen om harmonisering.; Direktiv 2014/53/UE, Annan harmoniserad unionslagstiftning i förekommande fall

6. (EN) References to the relevant harmonised standards used or references to the other technical specifications in relation to which conformity is declared. References must be listed with their identification number and version and, where applicable, date of issue. / (DE) Angabe der einschlägigen harmonisierten Normen, die zugrunde gelegt wurden, oder Angabe der anderen technischen Spezifikationen, bezüglich derer die Konformität erklärt wird: Dabei müssen die jeweilige Kennnummer, die angewandte Fassung und gegebenenfalls das Ausgabedatum angegeben werden: / (BG) Позоваване на използваните хармонизирани стандарти или позоваване на други технически спецификации, по отношение на които се декларира съответствие. При позоваването трябва да се посочат техният идентификационен номер и версията им и, ако е приложимо, дата на издаване: / (HR) Uprućivanja na odgovarajuće usklađene norme koje se upotrebljavaju ili upućivanje na druge tehničke specifikacije u odnosu na koje se deklarira sukladnost. Uprućivanja moraju biti navedena s identifikacijskim brojem i verzijom te, prema potrebi, datum izdavanja. / (EL) Αναφορές στα σχετικά εναρμοσμένα πρότυπα του Χρηματοοικονομικού ή αναφορές στις λοιπές τεχνικές προδιαγραφές, σε σχέση με τις οποίες δηλώνεται η συμμόρφωση. Οι αναφορές πρέπει να απαριθμούνται με τον αριθμό αναγνώρισης και την έκδοση και, κατά περίπτωση, την ημερομηνία δημοσίευσής τους: / (CS) Odkazy na příslušné harmonizované normy, které byly použity, nebo na jiné technické specifikace, na jejichž základě se shoda prohlašuje. Odkazy se uvedou s jejich identifikačním číslem a verzí a v příslušných případech rovněž s datem vydání: / (DA) Henviinger til de relevante anvendte harmoniserede standarder eller henviinger til de andre tekniske specifikationer, som der erklæres overensstemmelse med. Henviinger angives med deres identifikationsnummer og version og eventuelt udstedelsesdato: / (ET) Viited kasutatud harmoneeritud standarditele või muudele tehnilistele kirjeldustele, millele vastavust deklareeritakse. Viidetele peab lisama nende identifitseerimisnumbri ja versiooni ning vajaduse korral väljandmise kuupäeva: / (FI) Viittaus mihin asiaankuuluihin yhdenmukaistettuihin standardeihin, joita on käytetty, tai viittaus muihin teknisiin eritelmiin, joiden perusteella vaatimustenmukaisuuskäytös on annettu. Viittaukset luettelossa on mainittava niiden tunnusnumero ja versio ja tapauksen mukaan antopäivä: / (FR) Références des normes harmonisées pertinentes appliquées ou des autres spécifications techniques par rapport auxquelles la conformité est déclarée. Il faut indiquer, pour chaque référence, le numéro d'identification, la version et, le cas échéant, la date d'émission: / (HU) Az alkalmazott harmonizált szabványokra való hivatkozás vagy az azokra az egyéb műszaki előírásokra való hivatkozás, amelyekkel kapcsolatban megfelelőségi nyilatkozatot tettek. A hivatkozásokat az azonosító számokkal együtt és a megfelelő verzió feltüntetésével kell megadni, adott esetben a kiállítás dátumával együtt: / (IT) Riferimento alle pertinenti norme armonizzate utilizzate o riferimento alle altre specifiche tecniche in relazione alle quali è dichiarata la conformità. I riferimenti devono essere indicati con il loro numero di identificazione e versione e, se del caso, la data di emissione: / (LV) Atsauces uz attiecīgiem izmantojamiem saskaņotajiem standartiem vai uz citām tehnikajām specifikācijām, attiecībā uz ko tiek deklarēta atbilstība. Atsauces jāuzskaita ar to identifikācijas numuriem un versijām un attiecīgā gadījumā ar izdošanas datumu: / (LT) Nuorodos į susijusius taikytus darniuosius standartus arba kitas technines specifikacijas, pagal kurias buvo deklaruota atitiktis. Nuorodos turi būti išvardijami nurodant jų identifikacinis numerius, versijas ir, kai taikoma, paskelbimo datas: / (MT) Ir-referenzi għall-istandards armonizzati rilevanti li ntużaw, jew ir-referenzi għall-ispeċifikazzjonijiet ta' oħrajn li skomhom qed tiġi ddikjarata l-konformità: Ir-referenzi jridu jiġu elenkati bin-numru tal-identifikazzjoni u l-verzjoni tagħhom u, fejn applikabbli, id-data tal-brug: / (NL) Vermelding van de toegepaste relevante geharmoniseerde normen of van de andere technische specificaties waarop de conformiteitsverklaring betrekking heeft. Bij de opgave van de referenties moeten het identificatienummer en de versie en, in voorkomend geval, de datum van publicatie worden vermeld: / (PL) Odwołania do odnosnych norm zharmonizowanych, które zastosowano, lub do innych specyfikacji technicznych, w stosunku do których deklarowana jest zgodność. Odwołania muszą być podane wraz z ich numerami identyfikacyjnymi i wersjami oraz w stosownych przypadkach z datą wydania: / (PT) Referências às normas harmonizadas aplicáveis utilizadas ou às outras especificações técnicas em relação às quais a conformidade é declarada. As referências devem ser enumeradas com os respetivos números de identificação e versão e, se for caso disso, a data de emissão: / (RO) Trimiterile la standardele armonizate relevante folosite sau trimiterile la alte specificații tehnice în legătură cu

care se declară conformitatea. Referințele sunt enumerate împreună cu numerele de identificare și cu versiunea acestora precum și cu data eliberării, după caz./**(SN)** Odkazy na příslušné použité harmonizované normy alebo odkazy na iné technické špecifikácie v súvislosti s ktorými sa zdalo vyhasnúť. V rámci odkazov sa musí uviesť identifikačné číslo a verzia za prípadne dátum vydania./**(SL)** Sklicevanja na uporabljene harmonizirane standarde ali sklicevanja na druge tehnične specifikacije /zvezi s skladnostjo, ki je navedena v izjavi. Sklicevanja morajo biti navedena s svojo identifikacijsko številko, razločilo in po potrebi datumom izdaje./**(ES)** Referencias a las normas armonizadas pertinentes utilizadas como referencias a las otras especificaciones técnicas en relación con las cuales se declara la conformidad. Las referencias se enumerarán con su número de identificación y su versión y, en su caso, la fecha de emisión./**(SV)** Hänvisningar till de relevanta harmoniserade standarder som avsågs eller hänvisningar till andra tekniska specifikationer enligt vilka överensstämmelsen försäkras. Hänvisningar måste föras tillsammans med identifieringsnummer och version och i förekommande fall datum för utfärdande.

7. (EN) Where applicable, the notified body (name, number) performed (description of intervention) and issued the EU-type examination certificate./ (DE) Falls zutreffend — Die notifizierte Stelle (Name, Kennnummer) hat (Beschreibung der Mitwirkungs) und folgende EU-Vauprüferprüfverfahren zugestellt./ (BG) Когато е приложимо, нотифицираният орган (наименование, номер) извърши (описание на извършеното) и издаде сертификата за ЕС изпитване на типа./ (HR) Према Према potrebi, prijavljeno tijelo (naziv, broj) provelo je (opis intervencije) i izdalo potvrdu o EU ispitivanju tipa./ (EL) Όπου εφαρμόζοι, ο κοινοποιημένος οργατισμός (ονομασία, αριθμός) προεργαστοίησε (περιγραφή της παρέμβασης) και εξέδωσε το πιστοποιητικό εξέτασης τύπου ΕΕ./ (CS) Případně: oznameny subjekt (název, číslo) provedl (popis opatření) a vydal certifikát EU příslušného typu./ (DA) Hvor det er relevant, det bemyndigede organ (navn, nummer) har foretaget (beskrivelse af aktiviteten) og udstedt EU-typetestingsattest./ (ET) Valituduse korral: teavitatud asutus (nimi, number) teostas (tegevuse kirjeldus) ja andis välja EU tüübhinamistõendi./ (FI) Tapauksen mukaan ilmoitettu laitos (nimi, numero) suoritti (toimenpiteen kuvaus) ja antoi EU-tyyppitarkastusodistuksen./ (FR) Si'il y a lieu, l'organisme notifié (nom, numéro) a réalisé (description de l'intervention) et a délivré le certificat d'examen UE de type./ (HU) Alz! nevéj, száml) bejelentett szervezet adott esetben elvégzett alz) (a beavatkozás ismertetése), és a követező EU-típusvizsgálati tanúsítványt adta ki./ (IT) Se del caso, l'organismo notificato (denominazione, numero) ha effettuato (descrizione dell'intervento) e rilasciato il certificato di esame UE del tipo./ (LV) Attiecīgā gadījumā paziņota struktūra (nosaukums, numurs) ir veikusi (darības apraksts) uzdevumu NV tipa pārbaudes sertifikātu./ (LT) Kai taikytina, notifikuotijsi įstaiga (pavadinimas, numeris) atliko (dalyvavimo procese aprašymas) ir išdavė ES tipo tyrimo sertifikatą./ (MT) Meta applikabbli, il-korp notifikat (isem, jn-numru) wettra (deskazzjoni tal-intervent) u harġie certifikat tal-eżami tal-tip tal-UE./ (NL) Indien van toepassing: De aangemelde instantie (naam, nummer) heeft een (beschrijving van de werkzaamheden) uitgevoerd en het certificaat van EU-typetoetsing afgegeven./ (PL) W stosownym przypadku, jednostka powiokowana (nazwa, numer) przeprowadziła (opis interwencji) i wydała certyfikat badania typu UE./ (PT) Se aplicável, o organismo notificado (nome, número) efectuou (descriçáo da intervençáo) e emitiu o certificado de exame UE de tipo./ (RO) Dupá caz, organismul notificat (denumire, numár) a efectuat (descrierea intervençiei) si a emis certificatul de examinare UE de tip./ (SK) Prípadne: notifikovaný organ (název, číslo) vykonal (opis zásahu) a vydal certifikát EU skúšky typu./ (SL) Po potrebi je prijavljen organ (ime, številka) izvedel (opis intervencije) in izdal certifikát o EU-prigledu tipa./ (ES) Cuando proceda: El organismo notificado (nombre, número) ha efectuado (descripción de la intervención) y expedido el certificado de examen UE de tipo./ (SV) I tillämpliga fall: det anmälda organet (namn, nummer) har utfört (beskrivning av åtgärden) och utfärdat EU-typgodkänningsintyg.

8. (EN) Additional information, signed for and on behalf of, (place and date of issue), (name, function) (signature);/ (DE) Zusatzangaben, Untertzeichnet für und im Namen von: (Ort und Datum der Ausstellung), (Name, Funktion) (Unterschrift);/ (BG) Допълнителна информация: Подписано за и от имеето на: (Място и дата на издаване); (Име, длъжност) (Подпис);/ (HR) Dodatne informacije: Potpisano za i u ime: (Mjesto i datum izdavanja); (Ime, funkcija) (potpis);/ (EL) Συμπληρωματικές πληροφορίες: Υπογραφή για άποδοχόστος, (τόπος, και ημερομηνία έκδοσης); (όνομα, έργο), (έχον) (Υπογραφή);/ (CS) Další informace: Podpisováno za jménem: (místo a datum vydání); (jméno, funkce) (podpis);/ (DA) Supplerende oplysninger: Underskrevet for og på vegne af: (udstedelsessted og -dato); (navn, stilling) (underskrift);/ (ET) Lisateave: Alla kirjutatud (kelle poolt/imele); (väljaandmise koht ja kuupäev); (nimi, ametnimetus) (allkiri);/ (FI) Lisätietoja: Seuraavaan julketaan allekirjoittanut: (antamispäikän ja -paivamaäärä); (nimi, tehtävä) (allekirjoitus); (FR) Informations complémentaires: Signé par et au nom de: (lieu et date d'émission); (nom, fonction) (signature);/ (HU) További információk: A nyilatkozatot a követezők gyártó mellett és megváráshóly irák alá; (a kiállítás helye és dátuma); (név, beosztás) (aláírás);/ (IT) Informazioni supplementari: Firmato a nome e per conto di: (luogo e data del rilascio); (nome, funzione) (firma);/ (LV) Papildinformācija: Parakstis šādas personas vārda: (izdošanas vieta un datums); (vārds, uzvārds, amats) (paraksts);/ (LT) Papildoma informacija: Už ką ir kieno vardu pasirašyta: (išdavimo data ir vieta); (vardas ir pavardė, pareigos) (parašas);/ (MT) Informazzjoni addizzjonali: Iffirmat għali u f'isem: (post u data tal-frugli); (isem, funzjoni) (firma);/ (NL) Aanvullende informatie: Ondertekend voor en namens: (plaats en datum van afgefte); (naam, functie) (handtekening);/ (PL) Informacje dodatkowe: Podpisano w imieniu: (miejsce i data wydania); (imie i nazwisko, stanowisko) (podpis);/ (PT) Informações complementares: Assinado por e em nome de: (local e data de emissão); (nome, cargo) (assinatura);/ (RO) Informații suplimentare: Semnat pentru și în numele: (locul și data emiterii); (numele, funcția) (semnătură);/ (SK) Doplnujúce informácie: Podpisované za a v mene: (miesto a dátum vydania); (meno, funkcia) (podpis);/ (SL) Dodatne informacije: Podpisano za in v imenu: (kraj in datum izdaje); (ime, funkcija) (podpis);/ (ES) Información adicional: Firmado en nombre de: (lugar y fecha de expedición); (nombre, cargo) (firma);/ (SV) Ytterligare information: Underskrivet för: (Ort och datum), (namn, befattning) (namnteckning)



Addendum

Robert Bosch GmbH
Chassis Systems Control
PO Box 1661
71226, Leonberg
Tel +49 711/811-0
www.bosch.co.jp

Technical data

Product model name:	MRRev014F
Frequency Band:	76-77 GHz
Maximum Transmit Power: Nominal radiated power e.i.r.p. (peak detector):	32 dBm
Maximum Transmit Power: Nominal radiated power e.i.r.p. (RMS detector):	27 dBm

EU Declaration of Conformity (Doc)

Ref: Ares(2016)3250402 - 07/07/2016

1. Name and address of the manufacturer or his authorised representative:

Company name: Robert Bosch GmbH, Chassis Systems Control, CC-DA/ECR

Postal address: PO Box 1661

Postcode / City: 71226, Leonberg

Telephone number: +49 714/811-0

E-Mail address: ITA.BoschRadar@de.bosch.com

2. Radio equipment (product, type, batch or serial number):

Apparatus model/Product: MRR1Plus automotive radar sensor

Type: Motion Detector for TTT application

Batch: N/A

Serial number: R88-65813.10.153270992

3. This declaration of conformity is issued under the sole responsibility of the manufacturer:

Robert Bosch GmbH, Chassis Systems Control, CC-DA/ECR

4. Object of the declaration (Identification of apparatus allowing traceability; it may include a colour image of sufficient clarity where necessary for the identification of the radio equipment):

Product Model name: MRR1Plus
Product description: Mid-range radar sensor
Hardware version: 500 907 572F H05
Software version: 400

5. The object of the declaration described above is in conformity with the relevant Union harmonisation legislation:

RE-D Directive 2014/53/EU
...
...

6. References to the relevant harmonised standards used or references to the other technical specifications in relation to which conformity is declared. References must be listed with their identification number and version and, where applicable, date of issue:

Art 3.1a: Health of persons and animals
EN 62479:2010
EN 60950-1:2006+A11:2009+A1:2010+AC:2011+A12:2011

Art 3.1b: EMC
ETSI EN 301 489-1 V1.9.2, DRAFT ETSI EN 301 489-1 V2.2.0
ETSI EN 301 489-3 V1.6.1, ETSI EN 301 489-51 V1.1.1

Art 3.2: Radio: Efficient use of spectrum
ETSI EN 301 091-1 V2.1.1
ETSI EN 303 396 V1.1.1

7. Where applicable, the notified body ... (name, number)...performed ... (description of intervention) ... and issued the EU-type examination certificate: ...:

Name: CTC Advanced GmbH
Reference number of the certificate of notified body: 1817961E-01-TEC
4 digit notified body number: 0682

8. Additional information:

Signed for and on behalf of:

Leonberg, Germany

Piece of issue

2017-06-08

Date of issue

Andreas Müller

CC-DA/ECR Engineering Components Radar

Name, function, signature

Annex (EN/DE/BG/HR/EL/CS/DA/ET/FI/FR/HU/IT/LV/LT/MT/NL/PL/PT/RO/SK/SL/ES/SV)

(EN) EU DECLARATION OF CONFORMITY (1) / (DE) EU-KONFORMITÄTSERKÄRUNG (1) / (BG) ЕС ДЕКЛАРАЦИЯ ЗА СЪОТВЕТСТВИЕ (1) / (HR) EU IZJAVA O SUKLADNOSTI (1) / (EL) ΔΗΛΩΣΗ ΣΥΜΜΟΡΦΟΣΗΣ ΕΕ (1) / (CS) EU PROHLÁŠENÍ O SHODĚ (1) / (DA) EU-OVERENSSTEMMELSESRKLÆRING (1) / (ET) ELI VASTAVUSDEKLARATSIOON (1) / (FI) EU-VAATIMUSTENMUKAISUUSKUUUTUS (1) / (FR) DECLARATION UE DE CONFORMITE (1) / (HU) (1) EU-MEGFELELŐSÉGI NYILATKOZAT / (IT) DICHIARAZIONE DI CONFORMITÀ UE (1) / (LV) ES ATBILSTĪBAS DEKLARĀCIJA (1) / (LT) ES ATITIKTIES DEKLARACIJA (1) / (MT) DIKJARAZZJONI TA' KONFORMITÀ TAL-UE (1) / (NL) EU-CONFORMITEITSVERKLARING (1) / (PL) DEKLARACJA ZGODNOŚCI UE (1) / (PT) DECLARAÇÃO UE DE CONFORMIDADE (1) / (RO) DECLARAȚIA UE DE CONFORMITATE (1) / (SK) EÚ VYHLÁŠENIE O ZHODE (1) / (SL) IZJAVA EU O SKLADNOSTI (1) / (ES) DECLARACIÓN UE DE CONFORMIDAD (1) / (SV) EU-FÖRSÄKRAN OM ÖVERENSSTÄMMELSE (1)

1. (EN) Name and address of the manufacturer or his authorised representative: / (DE) Name und Anschrift des Herstellers oder seines Bevollmächtigten: / (BG) Име и адрес на произвождателя или на неговия упълномощен представител: / (HR) Име i adresa proizvođača ili njegovog ovlaštenog zastupnika: / (EL) Όνομα και διεύθυνση του κατασκευαστή ή του εξουσιοδοτημένου αντιπροσώπου του: / (CS) Jméno a adresa výrobce nebo jeho zplnomocněného zástupce: / (DA) Navn og adresse på fabrikanten eller dennes bemyndigede repræsentant: / (ET) Tootja või tema volitatud esindaja nimi ja aadress: / (FI) Valmistajan tai sen valtuutetun edustajan nimi ja osoite: / (FR) Nom et adresse du fabricant ou de son mandataire: / (HU) A gyártó vagy meghatalmazott képviselőjének neve és címe: / (IT) Nome e indirizzo del fabbricante o del suo rappresentante autorizzato: / (LV) Ražotāja vai viņa pilnvarotā pārstāvja vārds, uzvārds/nosaukums un adrese: / (LT) Gamintojo arba įgaliotojo atstovo pavadinimas ir adresas: / (MT) L-isem u l-indirizz tal-manifattur, jew tar-rappreżentant awtorizzat tiegħur: / (NL) Naam en adres van de fabrikant of zijn gemachtigde: / (PL) Nazwa i adres producenta lub jego upoważnionego przedstawiciela: / (PT) Nome e endereço do fabricante ou do respectivo mandatário: / (RO) Denumirea și adresa producătorului sau a reprezentantului său autorizat: / (SK) Meno a adresa výrobcu alebo jeho plnomocneného zástupcu: / (SL) Ime in naslov proizvajalca ali njegovega pooblaščenega zastopnika: / (ES) Nombre y dirección del fabricante o de su representante autorizado: / (SV) Namn på och adress till tillverkaren eller dennes representant:

2. (EN) Radio equipment (product, type, batch or serial number): / (DE) Funkanlage (Produkt-, Typen-, Chargen- oder Seriennummer): / (BG) Радиосъоръжение (Номер на продукта, тип, партиден или серийен номер): / (HR) Radijska oprema (proizvod, tip, vrsta ili serijski broj): / (EL) Ραδιοεξοπλισμός (προϊόν, τύπος, αριθμός, παρτίδας ή σειράς, αριθμός): / (CS) Rádiové zařízení (číslo výrobku, typ či série nebo sériové číslo): / (DA) Radioudrust (produkt-, parti-, type- eller serienummer): / (ET) Raadiosead (toode, tüüp, partii- või seerialnumber): / (FI) Radiolaitte (tuote-, tyyppi-, erä- tai sarjanumero): / (FR) Equipement radioélectrique (numéro de produit, de type, de lot ou de série): / (HU) Rádióberendezés (termék-, típus-, tétel- vagy sorozatszám): / (IT) Apparecchiatura radio (numero di prodotto, di tipo, di lotto o di serie): / (LV) Radioiekārtā (produkta, tipa, partijas vai sērijas numurs): / (LT) Radio įrenginys (gaminių, partijos, tipo ar serijos numeris): / (MT) It-tagħmir tar-radju (numru tal-prodott, tal-lott, tat-tip jew tas-serje): / (NL) Radioapparatuur (product-, type-, partij- of serienummer): / (PL) Urządzenie radiowe (numer produktu, typu, partii lub serii): / (PT) Equipamento de rádio (número do produto, do tipo, do lote ou de série): / (RO) Echipamentele radio (numărul produsului, al tipului, al lotului sau numărul de serie): / (SK) Rádiové zariadenie (výrobok, typ, číslo šarže alebo sériové číslo): / (SL) Radijska oprema (produkt, vrsta, serija ali serijska številka): / (ES) Equipo radioeléctrico (producto, tipo, lote o número de serie): / (SV) Radioutrustning (produkt-, typ-, partieller serienummer):

3. (EN) This declaration of conformity is issued under the sole responsibility of the manufacturer. / (DE) Die alleinige Verantwortung für die Ausfertigung dieser Konformitätserklärung trägt der Hersteller. / (BG) Настройваща декларация за съответствие е издадена на отговорността на произвождателя: / (HR) Za izdavanje ove izjave o sukladnosti odgovoran je isključivo proizvođač. / (EL) Η παρούσα δήλωση συμμόρφωσης εκδίδεται με αποκλειστική ευθύνη του κατασκευαστή. / (CS) Toto prohlášení o shodě se vydává na výhradní odpovědnost výrobce. / (DA) Denne overensstemmelseserklæring udstedes på fabrikantens ansvar. / (ET) Käesolev vastavusdeklaratsioon on välja antud tootja ainuvastutusele. / (FI) Tämä vaatimustenmukaisuuskautus on annettu valmistajan yksinomaisella vastuulla. / (FR) La présente déclaration de conformité est établie sous la seule responsabilité du fabricant: / (HU) Ezt a megfelelőségi nyilatkozatot a gyártó kizárólagos felelőssége mellett adták ki: / (IT) La presente dichiarazione di conformità è rilasciata sotto l'esclusiva responsabilità del fabbricante: / (LV) Šī atbilstības deklarācija ir izdota vienīgi uz šāda ražotāja atbildību. / (LT) Ši atitikties deklaracija išduota tik gamintojo atsakomybe. / (MT) Din id-dikjarazzjoni tal-konformità tinhareg taht ir-responsabbiltà unika tal-manifattur. / (NL) Deze conformiteitsverklaring wordt afgegeven onder volledige verantwoordelijkheid van de fabrikant. / (PL) Niniejszą deklarację zgodności wydaje się na wyłączną odpowiedzialność producenta. / (PT) A presente declaração de conformidade é emitida sob a exclusiva responsabilidade do fabricante. / (RO) Prezenta declarație de conformitate este emisă pe răspunderea exclusivă a producătorului. / (SK) Toto vyhlásenie o zhode sa vydáva na výhradnú zodpovednosť výrobcu. / (SL) Za izdajo te izjave o skladnosti je odgovoren izključno proizvajalec. / (ES) La presente declaración de conformidad se expide bajo la exclusiva responsabilidad del fabricante. / (SV) Denna försäkran om överensstämmelse utfärdas på tillverkarens eget ansvar.

aprakstītais deklarācijas priekšmets atbilst attiecīgajam Savienības saskaņotajam tiesību aktam., Direktīva 2014/53/ES, Cītam Savienības saskaņotajam tiesību aktam, ja piemērojams (LT) Pirmiau aprašītais deklarācijas objekts attinās susijusiu darinamuisus Sajānosus teisās aktus., Direktīva 2014/53/ES; kītus darinamuisus Sajānosus teisās aktus., jēgu taikoma. /(MT) L-għan ta-d-dikjarazzjoni deskritt hawn fuq huwa konformi mal-legiżlazzjoni ta' armonizzazzjoni rilevanti tal-Unjoni., Id-Direttiva 2014/53/UE, Legiżlazzjoni dwar l-armonizzazzjoni oħra tal-Unjoni meta tkun applikabbli /(NL) Het hierboven beschreven voorwerp van de verklaring is in overeenstemming met de desbetreffende harmonisatiewetgeving van de Unie., Richtlijn 2014/53/UE; andere harmonisatiewetgeving van de Unie, indien van toepassing. /(PL) Wymieniony powyżej przedmiot niniejszej deklaracji jest zgodny z odnoszonymi wymaganiami unijnego prawodawstwa harmonizacyjnego., dyrektywa 2014/53/UE, innym unijnym prawodawstwem harmonizacyjnym, w stosownych przypadkach. /(PT) O objeto da declaração acima mencionada está em conformidade com a legislação de harmonização da União aplicável., Diretiva 2014/53/UE; Outra legislação de harmonização da União, se aplicável. /(RO) Obiectul declarației descris mai sus este în conformitate cu legislația relevantă de armonizare a Uniunii.; Directiva 2014/53/UE, După caz, alte acte din legislația de armonizare a Uniunii (SK) Uvedený predmet vyhlásenia je v zhode s príslušnými harmonizačnými právnymi predpismi Únie.; Smernica 2014/53/UE, Prípadne ďalšie harmonizačné právne predpisy Únie (SV) Predmet navedene izjave je v skladu z ustrezno zakonodajo Unije o harmonizaciji.; Direktiva 2014/53/UE, Po potrebi z druge zakonodaje Unije o harmonizaciji (ES) El objeto de la declaración descrito anteriormente es conforme con la legislación de armonización pertinente de la Unión.; Directiva 2014/53/UE, Otra legislación de armonización de la Unión, cuando sea aplicable (SV) Föremålet för försäkran ovan översensstämmer med den relevanta unionslagstiftningen om harmonisering.; Direktiv 2014/53/UE, Annan harmoniserad unionslagstiftning i förekommande fall

6. (EN) References to the relevant harmonised standards used or references to the other technical specifications in relation to which conformity is declared. References must be listed with their identification number and version and, where applicable, date of issue. / (DE) Angabe der einschlägigen harmonisierten Normen, die zugrunde gelegt wurden, oder Angabe der anderen technischen Spezifikationen, bezüglich derer die Konformität erklärt wird: Dabei müssen die jeweilige Kennnummer, die angewandte Fassung und gegebenenfalls das Ausgabedatum angegeben werden: / (BG) Позоваване на използваните хармонизирани стандарти или позоваване на други технически спецификации, по отношение на които се декларира съответствие. При позоваването трябва да се посочат техният идентификационен номер и версията им и, ако е приложимо, дата на издаване: / (HR) Uprućivanja na odgovarajuće usklađene norme koje se upotrebljavaju ili upućivanje na druge tehničke specifikacije u odnosu na koje se deklarira sukladnost. Uprućivanja moraju biti navedena s identifikacijskim brojem i verzijom te, prema potrebi, datum izdavanja. / (EL) Αναφορές στα σχετικά εναρμοσμένα πρότυπα του Χρηματοοικονομικού ή αναφορές στις λοιπές τεχνικές προδιαγραφές, σε σχέση με τις οποίες δηλώνεται η συμμόρφωση. Οι αναφορές πρέπει να απαριθμούνται με τον αριθμό αναγνώρισης και την έκδοση και, κατά περίπτωση, την ημερομηνία δημοσίευσής τους: / (CS) Odkazy na příslušné harmonizované normy, které byly použity, nebo na jiné technické specifikace, na jejichž základě se shoda prohlašuje. Odkazy se uvedou s jejich identifikačním číslem a verzí a v příslušných případech rovněž s datem vydání: / (DA) Henvísninger til de relevante anvendte harmoniserede standarder eller henvísninger til de andre tekniske specifikationer, som der erklæres overensstemmelse med. Henvísninger angives med deres identifikationsnummer og version og eventuelt udstedelsesdato: / (ET) Viited kasutatud harmoneeritud standarditele või muudele tehnilistele kirjeldustele, millele vastavust deklareeritakse. Viidetele peab lisama nende identifitseerimisnumbri ja versiooni ning vajaduse korral väljandmise kuupäeva: / (FI) Viittaus mihin asiaankuuluviin yhdenmukaistettuihin standardeihin, joita on käytetty, tai viittaus muihin teknisiin eritelmiin, joiden perusteella vaatimustenmukaisuuskäytös on annettu. Viittaukset luettelossa on mainittava niiden tunnusnumero ja versio ja tapauksen mukaan antopäivä: / (FR) Références des normes harmonisées pertinentes appliquées ou des autres spécifications techniques par rapport auxquelles la conformité est déclarée. Il faut indiquer, pour chaque référence, le numéro d'identification, la version et, le cas échéant, la date d'émission: / (HU) Az alkalmazott harmonizált szabványokra való hivatkozás vagy az azokra az egyéb műszaki előírásokra való hivatkozás, amelyekkel kapcsolatban megfelelőségi nyilatkozatot tették. A hivatkozásokat az azonosító számokkal együtt és a megfelelő verzió feltüntetésével kell megadni, adott esetben a kiállítás dátumával együtt: / (IT) Riferimento alle pertinenti norme armonizzate utilizzate o riferimento alle altre specifiche tecniche in relazione alle quali è dichiarata la conformità. I riferimenti devono essere indicati con il loro numero di identificazione e versione e, se del caso, la data di emissione: / (LV) Atsauces uz attiecīgiem izmantojamiem saskaņotajiem standartiem vai uz citām tehnikajām specifikācijām, attiecībā uz ko tiek deklarēta atbilstība. Atsauces jāuzskaita ar to identifikācijas numuriem un versijām un attiecīgā gadījumā ar izdošanas datumu: / (LT) Nuorodos į susijusius taikytus darniuosius standartus arba kitas technines specifikacijas, pagal kurias buvo deklaruota atitiktis. Nuorodos turi būti išvardijami nurodant jų identifikacinis numerius, versijas ir, kai taikoma, paskelbimo datas: / (MT) Ir-referenzi għall-istandards armonizzati rilevanti li ntużaw, jew ir-referenzi għall-ispeċifikazzjonijiet tekniċi l-oħrajn li skomponoh qed tiġi ddikjarata l-konformità: Ir-referenzi jridu jiġu elenkati bin-numru tal-identifikazzjoni u l-verzjoni tagħhom u, fejn applikabbli, id-data tal-brug: / (NL) Vermelding van de toegepaste relevante geharmoniseerde normen of van de andere technische specificaties waarop de conformiteitsverklaring betrekking heeft. Bij de opgave van de referenties moeten het identificatienummer en de versie en, in voorkomend geval, de datum van publicatie worden vermeld: / (PL) Odwołania do odnosnych norm zharmonizowanych, które zastosowano, lub do innych specyfikacji technicznych, w stosunku do których deklaruowana jest zgodność. Odwołania muszą być podane wraz z ich numerami identyfikacyjnymi i wersjami oraz w stosownych przypadkach z datą wydania: / (PT) Referências às normas harmonizadas aplicáveis utilizadas ou às outras especificações técnicas em relação às quais a conformidade é declarada. As referências devem ser enumeradas com os respetivos números de identificação e versão e, se for caso disso, a data de emissão: / (RO) Trimiterile la standardele armonizate relevante folosite sau trimiterile la alte specificatii tehnice in legatura cu

Addendum

Robert Bosch GmbH
Chassis Systems Control
PO Box 1661
71226, Leonberg
Tel +49 711/811-0

Technical data

Product model name:	MRR1Plus
Frequency Band:	76-77 GHz
Maximum Transmit Power: Nominal radiated power e.i.r.p. (peak detector):	29.0 dBm
Maximum Transmit Power: Nominal radiated power e.i.r.p. (RMS detector):	23,5 dBm

Country	Importers name	Registered trade name or registered trade mark	TEL FAX	Postal address
AUSTRIA	SUZUKI AUSTRIA AUTOMOBIL HANDELS GESELLSCHAFT M.B.H.	SUZUKI AUSTRIA AUTOMOBIL HANDELS GESELLSCHAFT M.B.H.	43-662-2155-353 43-662-2155-900	MUNCHNER BUNDESSTRASSE 160 A-5020 SALZBURG, AUSTRIA
BELGIUM	N.V. SUZUKI BELGIUM S.A.	N.V. SUZUKI BELGIUM S.A.	32-3-4500400	SATENROZEN 8, B-2550 KONTICH, BELGIUM
BULGARIA	MIRKAT LTD.	MIRKAT LTD.	359-2-4390930	96 POP GRUYU STR., 1836 SOFIA, BULGARIA
CYPRUS	A,TRICOMITIS LTD	A,TRICOMITIS LTD	357-24-819700 357-24-63-7727	P.O.Box 40459, 6304 Larnaca, Cyprus, 35 Spyrou Kyprianou, 6013 Larnaca, Cyprus
DENMARK	SUZUKI BILIMPORT DANMARK A/S	SUZUKI BILIMPORT DANMARK A/S	45-56-656600	UNIONSVEJ 16, DK-4600, KOEGE, DENMARK
FINLAND	SUZUKI MOTOR FINLAND OY	SUZUKI MOTOR FINLAND OY	358-207-997-700 358-207-997-701	KAAKELIKAARI 4 B 01720 VANTAA, FINLAND
ESTONIA	SUZUKI MOTOR FINLAND OY	SUZUKI MOTOR FINLAND OY	358-207-997-700 358-207-997-701	KAAKELIKAARI 4 B 01720 VANTAA, FINLAND
LATVIA	SUZUKI MOTOR FINLAND OY	SUZUKI MOTOR FINLAND OY	358-207-997-700 358-207-997-701	KAAKELIKAARI 4 B 01720 VANTAA, FINLAND
LITHUANIA	SUZUKI MOTOR FINLAND OY	SUZUKI MOTOR FINLAND OY	358-207-997-700 358-207-997-701	KAAKELIKAARI 4 B 01720 VANTAA, FINLAND
FRANCE	SUZUKI FRANCE S.A.S.	SUZUKI FRANCE S.A.S.	33-825-004-063	8, AVENUE DES FRERES LUMIERE, 78190 TRAPPES, FRANCE
GERMANY	SUZUKI DEUTSCHLAND GMBH	SUZUKI DEUTSCHLAND GMBH	49-6251-57000	SUZUKI-ALLEE 7, 64625 BENSHEIM, GERMANY
GIBRALTAR	A BASSADONE (1904) LIMITED	A BASSADONE (1904) LIMITED	350-20079004 350-20078005	P.O. BOX 176, 42 DEVIL'S TOWER ROAD, GIBRALTAR
GREECE	SFAKIANAKIS S.A.	SFAKIANAKIS S.A.	30-210-349-9940	6-7, SIDIROKASTROU STR., 118 55 ATHENS, GREECE
HUNGARY	MAGYAR SUZUKI CORPORATION LTD.	MAGYAR SUZUKI CORPORATION LTD.	36-33-541-317 36-33-412014	2500 ESZTERGOM SCHWEIDEL JOZSEF U,52, HUNGARY
ICELAND	SUZUKI BILAR HF	SUZUKI BILAR HF	354-568-5100 354-588-8211	SKEIFAN 17, 108 REYKJAVIK, ICELAND
ITALY	SUZUKI ITALIA S.P.A.	SUZUKI ITALIA S.P.A.	39-011-9213713 39-011-9213748	C.SO FRATELLI KENNEDY 12 10070 ROBASSOMERO (TO) ITALY
MALTA	INDUSTRIAL MOTORS LIMITED	INDUSTRIAL MOTORS LIMITED	356-20-60000 356-21-234769	Antonio Bosio Street, Msida MSD1341
NETHERLANDS	B.V. NIMAG	B.V. NIMAG	31-0162-585-750	LANGE DREEF 12 4130 EB VIANEN THE NETHERLANDS
NORWAY	RUTEBILEIERNES STANDARDISERINGS AS	RUTEBILEIERNES STANDARDISERINGS AS	47-32-21-88-00 47-32-82-49-53	OVRE EIKERVEI 77, POSTBOK 4004 GULSKOGEN, N-3002, DRAMMEN, NORWAY
POLAND	SUZUKI MOTOR POLAND SP. Z O.O.	SUZUKI MOTOR POLAND SP. Z O.O.	48-22-3294100	UL. POLCZYNSKA 10, 01-378 WARSAW, POLAND
PORTUGAL	SUZUKI MOTOR IBERICA S.A.U	SUZUKI MOTOR IBERICA S.A.U	34-91-151-9500	CALLE CARLOS SAINZ 35-POLIGONO, CIUDAD DEL AUTOMOVIL, 28914, LEGANES, MADRID SPAIN
SPAIN	SUZUKI MOTOR IBERICA S.A.U	SUZUKI MOTOR IBERICA S.A.U	34-91-151-9500	CALLE CARLOS SAINZ 35-POLIGONO, CIUDAD DEL AUTOMOVIL, 28914, LEGANES, MADRID SPAIN
SWEDEN	LOUWMAN SVERIGE AB	LOUWMAN SVERIGE AB	46-8-517-32300	VRETNVAGEN 10, SOLNA, 17154, SWEDEN
SWITZERLAND	SUZUKI AUTOMOBILE SCHWEIZ AG	SUZUKI AUTOMOBILE SCHWEIZ AG	41-62-788-8790 41-62-788-8791	EMIL-FREY-STRASSE, 5745 SAFENWIL, SWITZERLAND
U.K.	SUZUKI GB PLC	SUZUKI GB PLC	44-1908-336600	STEINBECK CRESCENT, SNELSHALL WEST, MILTON KEYNES MK4 4AE, U.K.
IRELAND	SUZUKI GB PLC (IRELAND BRANCH)	SUZUKI GB PLC (IRELAND BRANCH)	353-1-619-3671 353-1-452-1796	57 BROOMHILL DRIVE, TALLAGHT INDUSTRIAL ESTATE, DUBLIN 24, IRELAND
LUXEMBOURG	N.V. SUZUKI BELGIUM S.A.	N.V. SUZUKI BELGIUM S.A.	32-3-4500400	SATENROZEN 8, B-2550 KONTICH, BELGIUM
SLOVAKIA	MAGYAR SUZUKI CORPORATION LTD.	MAGYAR SUZUKI CORPORATION LTD.	36-33-541-317 36-33-412014	2500 ESZTERGOM SCHWEIDEL JOZSEF U,52, HUNGARY
CZECH	MAGYAR SUZUKI CORPORATION LTD.	MAGYAR SUZUKI CORPORATION LTD.	36-33-541-317 36-33-412014	2500 ESZTERGOM SCHWEIDEL JOZSEF U,52, HUNGARY
ROMANIA	MAGYAR SUZUKI CORPORATION LTD.	MAGYAR SUZUKI CORPORATION LTD.	36-33-541-317 36-33-412014	2500 ESZTERGOM SCHWEIDEL JOZSEF U,52, HUNGARY
CROATIA	MAGYAR SUZUKI CORPORATION LTD.	MAGYAR SUZUKI CORPORATION LTD.	36-33-541-317 36-33-412014	2500 ESZTERGOM SCHWEIDEL JOZSEF U,52, HUNGARY
SLOVENIA	MAGYAR SUZUKI CORPORATION LTD.	MAGYAR SUZUKI CORPORATION LTD.	36-33-541-317 36-33-412014	2500 ESZTERGOM SCHWEIDEL JOZSEF U,52, HUNGARY

FCC

Model: R68P0 / R53R0 / P74P0 / K68PB / K52RA

This device complies with part 15 of the FCC Rules. Operation is subject to the following two conditions: (1) This device may not cause harmful interference, and (2) this device must accept any interference received, including interference that may cause undesired operation.

FCC CAUTION

Changes or modifications not expressly approved by the party responsible for compliance could void the user's authority to operate the equipment.

Ukraine (BCM)



1820 Nakanoike, Mikkaichi-cho, Suzuka, Mie 510-8631 Japan

Tel: +81-59-340-1137 Fax: +81-59-383-3943

AUTO International

22-A Stepana Bandery Avenue, 04073 Kiev, Ukraine

K68PB

Діапазон радіочастот, в якому працює устаткування: 125 кГц.

Максимальна потужність сигналу, що передається у діапазоні радіочастот, в якому працює устаткування : 56,7дБмкВ/м на відстані 10м.

Цією декларацією Sumitomo Wiring Systems, Ltd. заявляє, що тип радіообладнання K68PB відповідає Технічному регламенту радіообладнання;

повний текст декларації про відповідність доступний на веб-сайті за такою адресою:

https://www.sws.co.jp/en/product/document/certificate/pdf/ukraine_doc_for_k68pb.pdf

Ukraine (SW, RM)

ALPS

ALPS ELECTRIC CO., LTD. Engineering Headquarters
6-3-36, Nakazato, Furukawa, Osaki-city, Miyagi-pref, 989-6181, Japan
Phone +81 229-23-5111 Fax +81 229-23-5129

AUTO International

22-A Stepana Bandery Avenue, 04073 Kiev, Ukraine



P74P0

Діапазон радіочастот, в якому працює устаткування: 125 кГц.

R68P0 / R53R0

Діапазон радіочастот, в якому працює устаткування: 433,92 МГц.

P74P0

Максимальна потужність сигналу, що передається у діапазоні радіочастот, в якому працює устаткування : 66,2дБмкВ/м на відстані 10м.

R68P0 / R53R0

Максимальна потужність сигналу, що передається у діапазоні радіочастот, в якому працює устаткування : 80,0дБмкВ/м на відстані 3м.

P74P0 / R68P0 / R53R0

Цією декларацією ALPS ELECTRIC CO.,LTD. заявляє, що тип радіообладнання P74P0/R68P0/R53R0 відповідає Технічному регламенту радіообладнання;

повний текст декларації про відповідність доступний на веб-сайті за такою адресою: https://www.alps.com/products/e/ukrain_list02.html

ОБЕРЕЖНО! небезпека вибуху через неправильну заміну акумулятора. Слід замінити тільки таким самим акумулятором або еквівалентного типу.

ОБЕРЕЖНО! Не піддавати надмірному нагріванню, наприклад, дії сонячних променів, вогню тощо.



Модель №.: I68P0 / T61M0 / K68P2

Назва виробника / зареєстрований товарний знак	: Calsonic Kansei Corp.
Адреса виробника	: 2-1917 Nisshin-cho, Kita-ku, Saitama-city, Saitama 331-8501, Japan
Ім'я імпортера / адреса	: Auto International 22-A Stepana Bandery Avenue, 04073 Kiev, Ukraine

Діапазон радіочастот, в якому працює устаткування

I68P0 модель	: 125 кГц.
T61M0 модель	: 433,92 МГц
K68P2 модель	: 433,92 МГц

Максимальна потужність сигналу, що передається у діапазоні радіочастот, в якому працює устаткування

I68P0 модель	: 44.1дБмкВ/м на відстані 10м.
T61M0 модель	: 90.0дБмкВ/м на відстані 3м.

Проста декларація про відповідність

Цією декларацією Calsonic Kansei Corp. заявляє, що тип радіообладнання I68P0, T61M0, K68P2, K68P4 відповідає Технічному регламенту радіообладнання;

повний текст декларації про відповідність доступний на веб-сайті за такою адресою:

https://www.calsonickansei.co.jp/en/assets/pdf/products/red-doc/mobilizer/ukraine_doc_i68p0.pdf

https://www.calsonickansei.co.jp/en/assets/pdf/products/red-doc/switch-assy-transmitter/ukraine_doc_t61m0.pdf

https://www.calsonickansei.co.jp/en/assets/pdf/products/red-doc/bcm/ukraine_doc_k68p2.pdf

ДЕКЛАРАЦІЯ ПРО ВІДПОВІДНІСТЬ

1. **Радіобладнання:** Модуль радіоприймача (Receiver Module) торговельної марки «Continental» моделів 5WK50250, 5WK50252, 5WK50257, 5WK50254, 40398036, 40406557, 40398279

(виріб, тип, номер партії чи серійний номер)

2. **ТОВ «Нормакон-Україна»** (сфiс 314, вул. Кірова 139, м. Мелітополь, Запорізька обл., 72319, Україна, код ЄДРПОУ 37463168)

(найменування та адреса виробника або його уповноваженого представника).

3. Ця декларація відповідності видана під особисту відповідальність виробника.

4. Об'єкт декларації:

Низька обладнання: Модуль радіоприймача (Receiver Module):

Моделі: 5WK50250, 5WK50252, 5WK50257, 5WK50254, 40398036, 40406557, 40398279;

Радіобладнання: радіоприймач 433 МГц;

Торговельна марка: «Continental»;

Виробник: «Континентал Аутомотів ГмбХ» (Сименсштрассе 12, Д-93055 Ренсбург, Німеччина) / «Continental Automotive GmbH» (Siemensstrasse 12, D-93055 Regensburg, Germany) на підприємстві: «Континентал Аутомотів Системс Чех Республік с.р.о.» (744 01 Френштат под Раждостем, Команська 1713, Чеська Республіка) / «Continental Automotive Systems Czech Republic s.r.o.» (744 01 Frenstat pod Radhostem, Komarska 1713, Czech Republic).

Номер партії або серійний номер: **продуція виготовляється серійно.**

(ідентифікація радіобладнання, яка дає змогу забезпечити його простежуваність; може включати кольорове чітке зображення в разі потреби для ідентифікації зазначеного радіобладнання)

5. Об'єкт декларації відповідає вимогам «Технічного регламенту радіобладнання», затвердженого постановою Кабінета Міністрів України від 24.05.2017р. № 355.

6. Стандарти з переліку національних стандартів, що були застосовані, та інші стандарти і технічні специфікації, щодо яких декларується відповідність.

з огляду (пункт 6 технічного регламенту):

ДСТУ EN 60950-1:2015 (EN 60950-1:2006 A11:2009 A1:2010 A12:2011 AC:2011 A2:2013, IDT);

з електромагнітної сумісності (пункт 6 технічного регламенту):

ДСТУ EN 301 489-1:2014 (EN 301 489-1 V1.9.2, IDT);

ДСТУ ETSI EN 301 489-3:2009 (ETSI EN 301 489-3:2002, IDT)

ефективне використання радіочастотного ресурсу (пункт 7 технічного регламенту):

ETSI EN 300 220-2 V2.4.1 (2012 05)

(із зазначеними ідентифікаційною номера, версії та дати видання)

7. Призначений орган з оцінки відповідності **ООВ «Орган сертифікацій «Центр сертифікацій матеріалів та виробів» (№ У.А.Т.Р.032)**

(найменування, ідентифікаційний номер згідно з реєстром призначених органів)

Виконав роботи з оцінки відповідності за процедурою експертизи типу (Модуль В)

(отримано виконаних ним дій)

та видав сертифікат експертизи типу № **У.А.032.СТ.0030-18** від **11 травня 2018р.**

(в разі заучення призначеного органу з оцінки відповідності)

8. Додаткова інформація:

Програме забезпечення не впливає на технічні характеристики радіобладнання і не може бути змінена користувачем.

Підписано від імені та за договором дорученням № 20180503 «Континентал Аутомотів ГмбХ» (Сименсштрассе 12, Д-93055 Ренсбург, Німеччина) / «Continental Automotive GmbH» (Siemensstrasse 12, D-93055 Regensburg, Germany) уповноваженим представником в Україні ТОВ «Нормакон-Україна».

м. Мелітополь, Україна

(після та дата владні)

Директор
ТОВ «Нормакон-Україна»

(посада)

М.П.



11 травня 2018 р.

О. В. Шеретін

(підпис та прізвище)

У ООВ ТОВ «ОС «ЦСМВ»»
1/А.С32.Д.09032-18
д/тв 15.05.2018

СЕРТИФІКАТ ЕКСПЕРТИЗИ ТИПУ

TYPE EXAMINATION CERTIFICATE

Зареєстровано в реєстрі органу з оцінки відповідності за № 889.14.СЕТ

Registered at the Record of conformity assessment body under No

Чинний від

15.11.2018

The date certification is granted

Продукція / Production

Радіопередавач системи контролю тиєсу в шині автомобіля

Тип / Type

S180052024

Модель (і) / Model(s)

S180052024

Торгова назва або марка / Brand name or trademark

торговельна марка Continental

Виробник продукції / Producer

"Continental Automotive GmbH", Німеччина,
Steinensstrasse 12, D-93055 Regensburg, Germany

(назва/назва, адреса, код ЄСПРОУ (для внутрішнього виробника) / name, address of manufacturer)

Сертифікат видано / Certificate is issued by the conformity assessment body

Призначення органом з оцінки відповідності ДЕРЖАВНОГО ПІДПРИЄМСТВА "УКРАЇНСЬКИЙ НАУКОВО-ДОСЛІДНИЙ ІНСТИТУТ РАДІО І ТЕЛЕБачЕННЯ" (ОС УНДІРТ, Реєстраційний номер: UA.TK.028 65026, м. Одеса, вул. Бруніна, 31, тел.: (48) 740 71 27, 740 71 29; факс: (48) 722 45 83, e-mail: info@unidr.com.ua, www.unidr.com.ua

Висновки дослідження:

за результатами експертизи технічної документації та підтвердних документів стосовно відповідності певного проєкту радіопередавача системі автомобіля "Скільки разів експертизу радіопередавачів" (самореєстраційний ПІККУ від 24 травня 2017 р. № 355) встановлено:

п.6 - щодо відповідного рівня електромагнітної сумісності (п.6, абзачч 2)	відповідає	відповідає
п.7 - щодо зовнішнього ефективного використання радіочастотної ресурсу України у відповідній радіотехнології та уникати шкідливих завад (п.7)	відповідає	відповідає
п.8 - щодо основних вимог	відповідає	до радіобезпідданості, стосовно якого здійснюється експертиза, на час складання цього сертифіката у нормативно-правових актах центрального органу виконавчої влади в галузі авіації не визначені відповідні вимоги.

Керівник органу з оцінки відповідності

Director of the conformity assessment body

(підпис: підпис, прізвище, ім'я та по батькові)

М.П. Державного підприємства "Український науково-дослідний інститут радіо і телебачення"
Stamp of the State Enterprise "Ukrainian Scientific Research Institute of Radio and Television"

"Цей сертифікат дійсний тільки в тому випадку, якщо вимоги виробника оформлені записом до технічного документу або об'єкту, призначеного для експертизи, і якщо вимоги виробника оформлені записом до технічного документу або об'єкту, призначеного для експертизи. Подальший ужиток, що здійснюється у Додатку 2, є прізвищем для самодіагностики відповідності типу. Цей сертифікат не надає жодних гарантій щодо відповідності продукції, яка виготовлена на основі цього сертифіката, вимогам, встановленим у СЕ UNITE і інших технічних положеннях. The content of the conditions set out in Annex 2 form the grounds for satisfaction of the Type Examination Certificate. Further use, which is carried out in Annex 2, is a reference for self-diagnosis of conformity of the product with the requirements of CE UNITE and other technical provisions. This certificate does not provide any guarantee of compliance with the requirements of CE UNITE and other technical provisions, which are based on this certificate, with the requirements of CE UNITE and other technical provisions. The certificate is valid only if the manufacturer's requirements are recorded in the technical document and Annex 2 of the subject of the assessment, which will be issued after its registration.

017727

017727

ДОДАТОК 2

До сертифіката експертизи типу

Annex 2 to type examination certificate

№ 889.14-СЕТ

ПОЧАТОК

Інформація щодо зобов'язань виробника відповідно до Технічного регламенту радіобудівництва (затверджено постановою Кабінету Міністрів України від 24 травня 2017 р. № 355) та відомийні пункти Директи 2014/53/EU.

Information on the Manufacturer's obligations, imposed by the provisions of Technical Regulation of Radio Equipment (approved by the Decree of the Cabinet of Ministers of Ukraine, № 355 of May 24, 2017) and Radio Equipment Directive 2014/53/EU. Articles (Annex, Module) which comply the appropriate articles of the Technical Regulation of Radio Equipment

Пункти Технічного регламенту радіобудівництва	Radio Equipment Directive 2014/53/EU. Articles (Annex, Module) which comply the appropriate articles of the Technical Regulation of Radio Equipment
22. Виробники повинні зберігати технічну документацію та декларацію про відповідність протягом 10 років після введення в обіг останньої одиниці радіобудівництва.	<i>Article 10.4: Manufacturers shall keep the technical documentation and the EU declaration of conformity for 10 years after the radio equipment has been placed on the market.</i>
24. Виробники повинні гарантувати, що радіобудівництва, яке вони надіють на ринку, має позначення типу, моделі, партії або серійного номера тощо, що дає змогу його ідентифікувати, або у разі неможливості або несприятливості через характер радіобудівництва це зазначити - надається інформація на пакуванні або супровідний документ.	<i>Article 10.6: Manufacturers shall ensure that radio equipment which they have placed on the market bears a type, batch or serial number or other means allowing its identification, or where the size or nature of the radio equipment does not allow it, that the required information is provided, on the packaging, or in a document accompanying the radio equipment.</i>
25. Виробники повинні зазначити на радіобудівництві назву своєї компанії, зареєстровану торгівлю назву або зареєстровану торгову марку та поштову адресу, за якою з ними можна зв'язатися, або, якщо розмір або характер радіобудівництва не дає змоги це зробити, - на унікальній радіобудівництві або в супровідному документі. Занявчасте лише одна адреса, за якою можна зв'язатися з виробником. Контактні дані надаються відповідно до закону про порядок застосування мов.	<i>Article 10.7: Manufacturers shall indicate on the radio equipment their name, registered trade name or registered trade mark and the postal address at which they can be contacted or, where the size or nature of radio equipment does not allow it, on its packaging, or in a document accompanying the radio equipment. The address shall indicate a single point at which the manufacturer can be contacted. The contact details shall be in a language easily understood by end-users and marked surveillance authorities.</i>
26. Виробники повинні забезпечити супроводження радіобудівництва інструкціями та інформацією про безпеку відповідно до закону про порядок застосування мов. Інструкції повинні включати інформацію, необхідну для використання радіобудівництва відповідно до його призначення. Така інформація містить за наявності опис компонентів та асесурія, у тому числі проправданого зазначення та дають змогу радіобудівництву працювати за призначенням. Такі інструкції та вказівки з техніки безпеки, а також будь-яке маркування повинні бути читими, зрозумілими і розбірливими.	<i>Article 10.8: Manufacturers shall ensure that the radio equipment is accompanied by instructions and safety information in a language which can be easily understood by consumers and other end-users, as determined by the Member State concerned. Instructions shall include the information required to use radio equipment in accordance with its intended use. Such information shall include, where applicable, a description of accessories and components, including software, which allow the radio equipment to operate as intended. Such instructions and safety information, as well as any labelling, shall be clear, understandable and intelligible.</i>
Інструкція до радіобудівництва, яке призначене для використання радіобудівництва, додатково повинна містити смугу (смуги) радіостот., в якій (в яких) працює радіобудівництва; максимуму потужність використання в смугі (смугах) радіостот., в якій (в яких) працює радіобудівництва.	<i>The following information shall also be included in the case of radio equipment intentionally emitting radio waves: (a) frequency band(s) in which the radio equipment operates; (b) maximum radiated power transmitted in the frequency band(s) in which the radio equipment operates.</i>
Керівник органу з оцінки відповідності <i>Director of the conformity assessment body</i>	М. Мільчука <i>(signature)</i> М.П. Штамп <i>(stamp)</i>

19-03-00441

ДОДАТОК 2

до сертифіката експертизи типу

Annex 2 to type examination certificate

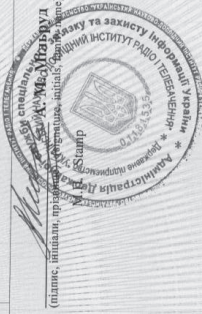
№ 889.14-СЕТ

ЗАКІНЧЕННЯ

Пункти Технічного регламенту радіоблокування	Radio Equipment Directive 2014/53/EU, Articles (Annex, Module) which comply the appropriate articles of the Technical Regulation of Radio Equipment
27. Виробники повинні забезпечити створення кожної копії радіоблокування копією декларації про відповідність або спрощеної декларації про відповідність. Додатку 6, повинна містити точну інтернет-адресу, за якою можна отримати повний текст декларації про відповідність.	<i>Article 10.9: Manufacturers shall ensure that each item of radio equipment is accompanied by a copy of the EU declaration of conformity or by a simplified EU declaration of conformity. Where a simplified EU declaration of conformity is provided, it shall contain the exact internet address where the full text of the EU declaration of conformity can be obtained.</i>
28. У разі наявності вимог щодо отримання дозволу на експлуатацію радіоблокування виробник зобов'язаний надавати у товарознавчій документації або на упаковці відповідну інформацію визначену НКРЗІ або шляхом навіяння такої інформації у декларації про відповідність. НКРЗІ може вказувати нормативно-правові акти інші способи інформування про умови отримання дозволу на експлуатацію радіоблокуванняго засобу, а також інші параметри використання радіоблокуванняго ресурсу України.	<i>Article 10.10: In cases of restrictions on putting into service or of requirements for authorization of use, information available on the packaging shall allow the identification of the Member States or the geographical area within a Member State where restrictions on putting into service or requirements for authorization of use exist. Such information shall be completed in the instructions accompanying the radio equipment.</i>
59. Ураховуючи конструкцію радіоблокування, висота знака відповідності технічним регламентам може бути менш як 5 міліметрів за умови, що він залишається видимий та розбірливий.	<i>Article 19.2: On account of the nature of radio equipment, the height of the CE marking affixed to radio equipment may be lower than 5 mm, provided that it remains visible and legible.</i>
60. Знак відповідності технічним регламентам повинен наноситися на радіоблокування таким чином, щоб він був легким, розбірливим і незмінним, або, якщо це є складним, розбірливим і незмінним, або, якщо це є складним, на його інформаційну таблицю з технічними даними. Знак відповідності технічним регламентам також наноситься на упаковку і повинен бути помітний та розбірливий.	<i>Article 20.1: The CE marking shall be affixed visibly, legibly and indelibly to the radio equipment or to its data plate, unless that is not possible or not warranted on account of the nature of radio equipment. The CE marking shall also be affixed visibly and legibly to the packaging.</i>
Додаток 2 до Технічного регламенту. Модуль В (експертиза типу)	<i>Annex III, Module B.7:</i>
7. Виробник повинен інформувати призначений орган, який бере участь у документуванні, що логічний і сертифікатом експертизи типу, про всі модифікації запланованого типу, що можуть вплинути на відповідність запланованого типу, що вказано в технічному регламенту або на умови чинності вказаного сертифіката. Такі модифікації потребують додаткового дослідження типу радіоблокування та його затвердження у формі доповнення до первинного сертифіката експертизи типу.	<i>The manufacturer shall inform the notified body that holds the technical documentation relating to the EU-type examination certificate of all modifications to the approved type that may affect the conformity of the radio equipment with the essential requirements of this Directive or the conditions for validity of that certificate. Such modifications shall require additional approval in the form of an addition to the original EU-type examination certificate.</i>

Керівник органу з оцінки відповідності

Director of the conformity assessment body



ДЕКЛАРАЦІЯ ПРО ВІДПОВІДНІСТЬ № RTS.УКР.355-90/18

1. **Раціоналізація (виріб, тип, номер партії чи серійний номер):**
Раціоналізація торгової марки Continental моделі S1800S2024 системи контролю тяги в шині автомобіля.

2. **Найменування та адреса виробника або його уповноваженого представника:**
Уповноважений представник - ТОВ "Радио Тест Стандарт", Україна, 03115, м.Київ, вул. Дьявіська, 22-а, к. 135, код ЄДРПОУ 39205151 (Довіреність "Контигенталь Аутомоутиль ГмбХ" ("Continental Automotive GmbH"), Німеччина, від 18.09.2018).

3. **Ця декларація відповідності видана під особисту відповідальність виробника:**
"Контигенталь Аутомоутиль ГмбХ", Земелштрассе 12, D-93055 Регенсбург, Німеччина ("Continental Automotive GmbH", Stenmetsstrasse 12, D-93055 Regensburg, Germany).

4. **Об'єкт декларації (ідентифікація радіобудівлення, яка дає змогу забезпечити його прослежуваність; може включати кольорове чітке зображення у разі потреби для ідентифікації зв'язаного радіобудівлення):**
Раціоналізація торгової марки Continental моделі S1800S2024 системи контролю тяги в шині автомобіля.

5. **Об'єкт декларації відповідає вимогам таких технічних регламентів:**
Технічного регламенту радіобудівлення:

6. **Пояснення на відповідні стандарти з переліку національних стандартів, що були затрезовані, або пояснення на інші технічні специфікації, щодо яких декларується відповідність (із зазначенням ідентифікаційного номера, версії та дати видання):**

Пункт "Технічного регламенту радіобудівлення"	Стандарти	Номер протоколу виробування	Виробувальна лабораторія (атестація акредитована/ дозволена інформація)
Затрезовані стандарти, що включені до "Переліку національних стандартів, відповідність яким надає презумпцію відповідності радіобудівлення суттєвим вимогам"			
п.7	-	-	-
Затрезовані стандарти, що не включені до "Переліку національних стандартів, відповідність яким надає презумпцію відповідності радіобудівлення суттєвим вимогам"			
п.6, абзац 1	ДСТУ EN 60950-1:2015 (тільки за пп. 1.2.3, 1.2.4, 1.7), ДСТУ EN 50385:2007	7005 від 08.02.2018	ВП РГТ УНДПРТ (2Н227)
п.6, абзац 2	ДСТУ EN 301 489-1:2014 (пп. 8.2, 9.2, 9.3) (з урахуванням ДСТУ ETSI EN 301 489-3:2009)	7005 від 08.02.2018	ВП РГТ УНДПРТ (2Н227)
п.7	ДСТУ ETSI EN 300 220-2:2012, ETSI EN 300 220-2 V2.3.1	7005 від 08.02.2018	ВП РГТ УНДПРТ (2Н227)

7. **Призначений орган з оцінки відповідності ДЕРЖАВНОГО ПІДПРИЄМСТВА "УКРАЇНСЬКИЙ НАУКОВО-ДОСЛІДНИЙ ІНСТИТУТ РАДІО І ТЕЛЕБАЗОВИЩА",**

Ресурсний номер: УА.ТР.028

(найменування, ідентифікаційний номер згідно з реєстром призначених органів)

виконав

експертів типу

(осіб виконавців ним дій)

та видав сертифікат експертизи типу № **889.14-СЕТ від 15.11.2018.**



8. У відповідних випадках опис компонентів та аксесуарів, у тому числі програмного забезпечення, завдяки якому радіобладання функціонує за призначенням і на яке поширюється дія декларації про відповідність:

Версія ПЗ (SW/FW version), яка впливає на дотримання суттєвих вимог: V1;
Версія виконання виробу (HW version), яка впливає на дотримання суттєвих вимог: V1;
Процесор(и), що виконує(ють) функції формування радіочастотних сигналів: ZA.729057M0B;

9. Додаткова інформація:

Підприємства-виробники:
- "Контіненаль Аутомоувіт Франс С.А.С.", 1 Ав. Поль Орляк, 31036 Тулуза, Седекс 1, Франція
("Continental Automotive France S.A.S.", 1 Av. Paul Ourliac, 31036 Toulouse CEDEX 1, France, Франція);

Підписано від імені та дорученням:

"Контіненаль Аутомоувіт ГмбХ" ("Continental Automotive GmbH"), Німеччина,
уповноваженим представником - ТОВ "Радіо Тест Стандарт", Україна.

М.Київ, "15" листопада 2018 р.

(місце та дата видачі)

Директор

(посада)



Д. В. Шуман

(ініціали та прізвище)

М.П.

ДЕКЛАРАЦІЯ ПРО ВІДПОВІДНІСТЬ

1. Радіообладнання: **Wheel Unit (TRMS) - 433 МГц (телеметрія та радіомісостанційне керування).**

(виріб, тип, номер партії чи серійний номер)

2. **ТОВ «Нормакон-Україна»** (офис 3114, вул. Кірова 139, м. Мелітополь, Запорізька обл., 72319, Україна, код ЄДРПОУ 37463168).

(називання та адреса виробника або його уповноваженого представника).

3. Ця декларація відповідності вилана під особисту відповідальність виробника.

4. Об'єкт декларації:

Назва об'єкта: Модуль радіопередача (Wheel Unit (TRMS));

Модель: TRS-15;

Торговельна марка: «Comptental»;

Виробник: «Comptental Automobile GmbH» (Siemensstrasse 12, D-93055 Regensburg, Germany) /

«Continentale Auttomote GmbH» (Siemensstrasse 12, D-93055 Regensburg, Німеччина);

Місце виробництва: «Comptental Automobile France S.A.S.» (1 Avenue Paul Ourliac 31100 Toulouse, France)

/ «Continentale Auttomote France S.A.S.» (1 Avenue Paul Ourliac, 31100 Тулуз, Франція);

Новий партій або серійний номер: **продукція виготовляється серійно.**

(додатківська радіообладнання, яка має задов. здійснювати його простежуваність, може включати кольорове чіпке зображення у разі потреби для ідентифікації загального радіообладнання)

5. Об'єкт декларації відповідає вимогам «Технічного регламенту радіообладнання», затвердженого **постановою Кабінета Міністрів України від 24.05.2017р. № 355.**

6. Стандарти з переліку національних стандартів, що були застосовані, та інші стандарти і технічні специфікації, щодо яких декларується відповідність:

з безпеки (принт 6 технічного регламенту):

ДСТУ EN 60950-1:2015 (EN 60950-1:2006 A11:2009 A1:2010 A12:2011 AС:2011 A2:2013, IDT);

з електромагнітної сумісності (принт 6 технічного регламенту):

ДСТУ EN 301 489-1:2014 (EN 301 489-1 V1:9.2, IDT);

ДСТУ EN 301 489-3:2009 (ETSI EN 301 489-3:2002, IDT);

з безпеки використання радіочастотного ресурсу (принт 7 технічного регламенту):

ДСТУ EN 300 220-2:2012 (ETSI EN 300 220-2:2007, IDT);

ETSI EN 300 220-1 V3.1.1 (2017-02);

ETSI EN 300 220-2 V3.1.1 (2017-02).

(із зазначеним ідентифікаційного номера, версії та дати видання)

7. Призначений орган з оцінки відповідності **ООВ «Органи сертифікації «Делімур сертифікації матеріалів та виробів» (№ УА.ТК.032)**

(називання, ідентифікаційний номер згідно з реєстром призначених органів)

Виконав роботи з оцінки відповідності за процедурою експертизи типу (Модуль В)

(опис виходах над об'єкт)

та видав сертифікат експертизи типу № **УА.032.СТ.0275-18** від **17 грудня 2018 р.**

(у разі застосування призначеного органу з оцінки відповідності)

8. **Додаткова інформація:**
Програма версія не визначена.

Підписано від імені та за договором дорученням № 20180503 від 03.05.2018 р. «Comptental Automobile GmbH» (Siemensstrasse 12, D-93055 Regensburg, Germany) уповноваженим представником в Україні ТОВ «Нормакон-Україна».

м. Мелітополь, Україна

17

грудня

2018 р.

(підпис та дата видачі)

**Директор
ТОВ «Нормакон-Україна»**

(посада)



О. В. Шеленін

(підпис та посада)

МП

Взята на облік

У ООВ ТОВ «ОС «ЦСМВ»»

УА.032.Д.0244-18

ДЗТЗ **М. П. КОІР**



10175
LEU 25 000275-18



СЕРТИФІКАТ ЕКСПЕРТИЗИ ТИПУ

TYPE EXAMINATION CERTIFICATE

№ у реєстрі № in the register	Кількість додатків number of applications	Термін дії Term of validity is from
UA.032.CT.0275-18	1	від 17 грудня 2018 р.

**Сертифікат
видано**
Certificate is issued to

ТОВ «Нормакон-Україна» (офіс 314, вул. Кірова 139, м. Мелітополь, Запорізька обл., 72319, Україна, код ЄДРПОУ 37463168) за договором дорученням № 20180503 від 03.05.2018р. «Continental Automotive GmbH» (Siemensstrasse 12, D-93055 Regensburg, Germany/Німеччина)

(назва та адреса виробника або уповноваженої особи)

Продукція
Production

Модуль радіопередавача (Wheel Unit (TPMS)) торговельної марки «Continental» моделі TIS-15 8526

(товарна назва, тип, вид, марка, торговельна марка) / (complete product name, type, kind, model, tradechaise mark (trademark)) *(код (U) УКТЗЕДУ / UKTZED code (U))*

**Відповідні
вимоги**

Технічного регламенту радіообладнання затвердженого постановою Кабінету міністрів України від 24 травня 2017 р. № 355, п.6 – безпека, електромагнітна сумісність, п. 7 – ефективне використання радіочастотного ресурсу

Comply with the requirements

Виробник
Producer

«Continental Automotive GmbH» (Siemensstrasse 12, D-93055 Regensburg, Germany) / «Континентал Аутомотів ГмБХ» (Сименсштрассе 12, D-93055 Регенсбург, Німеччина)

**Місце
виробництва**
Place of production

«Continental Automotive France S.A.S.» (1 Avenue Paul Ourliac 31100 Toulouse, France) / «Континентал Аутомотів Франс САС» (1 Авеню Паул Оурляк, 31100 Тулуз, Франція)

**Сертифікат
видано органом
з оцінки
впевненості**

ООВ «Среан сертифициції «Центр сертифікації матеріалів та виробів», № UA-TR.032 Апелстат про акредитацію НААУ № 10175
(юрисдикція адреса: 03764, м. Київ, вул. Малинська, 20-А;
пост. адреса: 03680, м. Київ, вул. Виборзька, 103,
тел. (044) 221-94-10, 457-69-23; тел./факс 404-88-03)

Certificate is issued by the
competency assessment body

**Додаткова
інформація**
Additional information

Технічні характеристики та умови застосування наведені в Додатку

На підставі
On the grounds of

Рішення за результатами звіту про оцінювання № TR0369-18 від 17.12.2018 р.



Керівник органу

О. С. Іщенко
(підпис, ініціали, прізвище)
(signature, initials, family name)

Орган сертифікації
«Центр сертифікації матеріалів та виробів»
Інформація про орган сертифікації
МАЛІНЬСЬКА
вул. Малинська, 20-А
03764, Київ

Чістість сертифіката відповідності може бути перевірена за допомогою органу сертифікації за тел. 044 221-94-10. Діявність сертифіката відповідності можна перевірити в базі даних органу сертифікації по тел. 044 221-94-10. Validity of the certificate of conformity can be checked on the base of data of the certification body tel. 044 221-94-10



ЦСМВ

ССМ&G

10175
 ICTV EN ISO/IEC 17065

ДОДАТОК
 до сертифіката експертизи типу
 АННЕХ ТО ТУРЕ ЕХАМІНАЦІОН СЕРТИФІКАТЕ

№ UA.032.СТ.0275-18 від 17 грудня 2018 р.

1. Об'єкт/ування відповідності пристрою вимогам Технічного регламенту радіоблагодання, протоколи, нормативні документи

Суттєві вимоги ТР п. 6 абз. 1	Вимоги, що перевірялися	Протоколи	Дата	Стандарти, що застосовувалися
п. 6 абз. 2	EMC	160917-AU01+Е01_R1	07.09.2017 р.	ДСТУ EN 60950-1:2015 (EN 60950-1:2006 A11:2009 A1:2010 A12:2011 AC:2011 A2:2013, IOT) ДСТУ EN 301 489-1:2014 (EN 301 489-1 V1: 9.2, IOT); ДСТУ EN 301 489-3:2009 (EN 301 489-3:2002, IOT)
п. 7	Радіо	160917-AU01+W01_R1	07.09.2017 р.	ДСТУ EN 300 220-2:2012 (EN 300 220-1 V3.1.1 (2017-02); ETSI EN 300 220-2 V3.1.1 (2017-02)

2. Технічні характеристики радіоблагодання:

- 2.1. Wheel Unit (TPMS) - 433 МГц.
- 2.1.1 Радіотехнологія: телететрія та радіодистанційне керування;
- 2.1.2 Діапазон частот, МГц: 433,05 - 434,79;
- 2.1.3 Номінальна робоча частота, МГц: 433,92;
- 2.1.4 Ефективна випромінювана потужність: (мінус) 21,76 дБм;
- 2.1.5 Тип модуляції: FSK;
- 2.1.6 Тип антени: Інтегрована.

3. Програма версія не визначена.

4. Перелік документів на продукцію, що розглядалася:

- Специфікація;
- Інструкція;
- Маркування;
- Схеми;
- Оцінка ризиків;
- Зображення внутрішньої компоновки (фото);
- Декларація ЕУ;
- Сертифікат ЕУ.

5. Умови застосування:

Продукція зазначена в сертифікаті відповідає узагальненим умовам: Р1 42-2, рід схвалений рішеннями НКРЗІ від 12.01.2012 №18 станом на 06.03.2018 р., додаток 19.
 Експлуатація зазначеного в цьому сертифікаті радіоблагодання у зазначеному стилі та технічними характеристиками здійснюється на бездоговірній основі (Рішення НКРЗІ №844 від 23.12.2014 р. зареєстровано у Міністерстві юстиції України 19.02.2015 р. за № 201/2664/8), з урахуванням змін до положення про порядок і форму ведення реєстру радіоелектронних засобів та випромінювальних пристроїв, що можуть застосовуватися на території України в сферах радіочастот загального користування, затвердженого рішеннями НКРЗІ 03.04.2018 р. за № 188, зареєстрованого Міністерстві Юстиції України 07.06.2018 р. за № 688/32140.

Керівник органу з оцінки відповідності

Director of the conformity assessment body



О. С. Іщенко

(Ім'я, прізвище, прізвище)
 (Surname, Initials, Prizhivno)

Jordan

Model: R68P0

TRC/LPD/2018/423

Model: K68PB

TRC/LPD/2018/316

Model: R53R0

TRC/LPD/2018/422

Model: K52RA

TRC/LPD/2018/223

Model: P74P0

TRC/LPD/2018/421

MODEL No. : I68P0

Approved by TRC/LPD/2018/233

MODEL No. : T61M0

Approved by TRC/LPD/2018/239

MODEL No. : K68P2

Approved by TRC/LPD/2018/235

MODEL No. : K68P4

Approved by TRC/LPD/2018/236

Continental Automotive GmbH
S180052024
TRC/LPD/2017/104

Continental Automotive GmbH
TIS-15
TRC/LPD/2017/560

Continental Automotive GmbH
40398036
TRC/LPD/2018/431

Paraguay

Model: R68P0



NR: 2018-10-I-000485

Model: R53R0



NR: 2018-10-I-000486

Model: P74P0



Model: R68P0 / R53R0 / P74P0 / K68PB / K52RA

Distribuidor: CENSU S.A.

Dirección: AVDA. RCA. ARGENTINA NRO. 900 ESQ LOPEZ MOREIRA

Numero de telefono: +595 21 600 700

Brand name : SUZUKI MOTOR CORPORATION
Importer name : CENSU S.A.
Importer's address : AVDA. RCA. ARGENTINA NRO. 900 ESQ LOPEZ MOREIRA

Manufacture name : Calsonic Kansei Corporation
Model name : T61M0



CONATEL

NR: 2018-11-I-000579



CONATEL

NR: 2018-11-I-000580

Jamaica

Model: R68P0

This product has been Type Approved by Jamaica: SMA – “R68P0”.

Model: R53R0

This product has been Type Approved by Jamaica: SMA – “R53R0”.

Model: P74P0

This product has been Type Approved by Jamaica: SMA – “P74P0”.

Model: K68PB

This product has been Type Approved by Jamaica: SMA – “K68PB”.

Model: K52RA

This product has been Type Approved by Jamaica: SMA – “K52RA”.

BRAND NAME : SUZUKI MOTOR CORPORATION

MODEL No. I68P0 : IFETEL RLVSUI618-1152

MODEL No. T61M0 : IFETEL RLVSUT618-1186

MODEL No. K68P2 : IFETEL RLVSUK618-1224

MODEL No. K68P4 : IFETEL RLVSUK618-1201

La operación de este equipo está sujeta a las siguientes dos condiciones:

- (1) es posible que este equipo o dispositivo no cause interferencia perjudicial y
- (2) este equipo o dispositivo debe aceptar cualquier interferencia, incluyendo la que pueda causar su operación no deseada.

Ghana

Model: R68P0

NCA APPROVED: BR3-1M-GE2-13A

Model: R53R0

NCA APPROVED: BR3-1M-GE2-139

Model: P74P0

NCA APPROVED: BR3-1M-GE2-138

MODEL No. : T61M0

NCA APPROVED : BR3-1M-GE2-0C3

MODEL No. : K68P2

NCA APPROVED : BR3-1M-GE2-0A4

MODEL No. : K68P4

NCA APPROVED : BR3-1M-GE2-0BF

MODEL No. : I68P0

NCA APPROVED : BR3-1M-GE2-0A2

Mexico

Model: R68P0

IFETEL: RLVSUR618-1756

Model: R53R0

IFETEL: RLVSUR518-0646

Model: P74P0

IFETEL: RLVSUP718-0647

Model: R68P0 / R53R0 / P74P0 / K68PB / K52RA

La operación de este equipo está sujeta a las siguientes dos condiciones: (1) es posible que este equipo o dispositivo no cause interferencia perjudicial y (2) este equipo o dispositivo debe aceptar cualquier interferencia, incluyendo la que pueda causar su operación no deseada.

Singapore

Model: R53R0 / P74P0 / K68PB / K52RA

Complies with
IMDA Standards
DA107248

Nigeria

Model: R68P0 / R53R0 / P74P0 / K68PB / K52RA

**Connection and use of this communications
equipment is permitted by the Nigerian
Communications Commission**

MODEL No. : T61M0 / I68P0 / K68P2 / K68P4

**Connection and use of this communications
equipment is permitted by the Nigerian
Communications Commission**

Benin

Model: R68P0

AGREE PAR L'ATRPT BENIN

Numéro d'agrément: 234/ARCEP/SE/DR/DAJRC/GU/2018

Date d'agrément : 14 décembre 2018

Model: K68PB

AGREE PAR L'ATRPT BENIN

Numéro d'agrément: 199/ARCEP/SE/DR/DAJRC/GU/2018

Date d'agrément : 15 octobre 2018

Model: R53R0

AGREE PAR L'ATRPT BENIN

Numéro d'agrément: 232/ARCEP/SE/DR/DAJRC/GU/2018

Date d'agrément : 14 décembre 2018

Model: K52RA

AGREE PAR L'ATRPT BENIN

Numéro d'agrément: 004/ARCEP/SE/DR/DAJRC/GU/2019

Date d'agrément : 17 décembre 2018

Model: P74P0

AGREE PAR L'ATRPT BENIN

Numéro d'agrément: 233/ARCEP/SE/DR/DAJRC/GU/2018

Date d'agrément : 14 décembre 2018

I68P0

AGREE PAR L'ATRPT BENIN

Numéro d'agrément :N°2018-082/ARCEP/PT/SE/DFC/DAJRC/DR/GU

Date d'agrément :17 AOU 2018

K68P2

AGREE PAR L'ATRPT BENIN

Numéro d'agrément :N°2018-083/ARCEP/PT/SE/DFC/DAJRC/DR/GU

Date d'agrément :17 AOU 2018

T61M0

AGREE PAR L'ATRPT BENIN

Numéro d'agrément :N°2018-085/ARCEP/PT/SE/DFC/DAJRC/DR/GU

Date d'agrément :17 AOU 2018

AGRÉÉ PAR L'ATRPT BENIN

Numéro d'agrément : N°057/ARCEP/SE/DR/DAJRC/GU/2019

Date d'agrément : 09 AVR 2019

Microsoft WMT License

This product is protected by certain intellectual property rights of Microsoft Corporation and third parties.

Use or distribution of such technology outside of this product is prohibited without a license from Microsoft or an authorized Microsoft subsidiary and third parties.

Windows Media is either a registered trademark or trademark of Microsoft Corporation in the United States and/or other countries.

Connection and use of this communications
equipment is permitted by the Nigerian
Communications Commission



OMAN-TRA
R/3086/16
D090024

(WSM):T-783/19

AGRÉÉ PAR L'ATRPT BENIN

Numéro d'agrément : N°057/ARCEP/SE/DR/DAJRC/GU/2019

Date d'agrément : 09 AVR 2019

AGRÉÉ PAR L'ANRT MAROC

Numéro d'agrément: MR 14478 ANRT 2017

Date d'agrément: 07/08/2017

IFETEL:RCPPAAZ16-0312

SyTRA

REGISTERED No.:

FR00161-19

Продукты	Аудиосистема
Модель	AZ1601
Производитель	Panasonic
Страна происхождения	Таиланд

Дата производства найдена на маркировке продукта.

Средства импорта	Magyar Auto LLC
Адрес	Erebuni str. 32 bld. 81 apt., 0020 Ереван Армения



АВТО Інтернешнл
04073 м.Київ, пр -кт.Степана Бандери, 22-А
101 Moo 2 Terarak Road
T.Bangsaothong A.Bangsaothong
Samutprakarn, 10570, Thailand



Bluetooth

смугу радіочастот, в якій працює радіообладнання; 2402-2480MHz
максимальну потужність випромінювання в смузі радіочастот, в якій працює
радіообладнання; 2.5mW

справжнім Panasonic Corporation заявляє, що тип радіообладнання [CQ-
JZ06F1JT,CQ-JZ46F1JT,CQ-CZ28E1JT] відповідає Технічному регламенту
радіообладнання;

повний текст декларації про відповідність доступний на веб-сайті за такою
адресою:

<https://service.panasonic.ua/>

(розділ «Технічне регулювання»)

S180052024

TIS-15

Complies with
IMDA Standards
DA107248

Complies with
IMDA Standards
DA107093

Complies with
IMDA Standards
DA107093

Complies with
IMDA Standards
DA107093

NCA APPROVED:ZRO-M8-7E3-X1A

TRC/LPD/2017/406

ORTEL ID : ORT511TD

Panasonic

Panasonic Corporation

4261 Ikonobe-cho, Tsuzuki-ku, Yokohama-shi, Kanagawa-ken, 224-8520, Japan

Tel: +81 50-3689-7126 Fax: +81 45-931-0806

frequency band(s) in which the radio equipment operates; 2402-2480MHz

maximum radio-frequency power transmitted in the frequency band(s) in which the radio equipment operates; 1.01 mW

[English]	Hereby, Panasonic Corporation declares that the radio equipment type CQ-JZ06F0JT,CQ-JZ06F1JT,CQ-JZ46F0JT,CQ-JZ46F1JT,CQ-CZ28E0JT,CQ-CZ28E1JT is in compliance with The Radio Equipment Regulations 2017. The full text of the UK declaration of conformity is available at the following internet address: https://www.ptc.panasonic.eu/
-----------	---

UK
CA

Continental 

Radio Transmitter: *S180052024, TIS-15* and Radio Receiver: *P61M0*

Manufacturer: Continental Automotive GmbH
Address: Seimensstrasse12 D-93055 Regensburg Germany
TEL : :49 941 790 8942 FAX : :49 941 790 998942

[English] Hereby, Continental declares that the radio equipment type S180052024/TIS-15/P61M0 is in compliance with Directive 2017 No. 1206. The full text of the UK declaration of conformity is available at the following internet address: <http://continental-homologation.com/suzuki>

CAUTION - Do not exposed to excessive heat such as sunshine, fire or the like.

S180052024 / TIS-15 : Frequency band : 433.92MHz
Maximum radio-frequency power : <10mW e.r.p

UK : Great Britain (SW, RM)

**UK
CA**

ALPS®

ALPS ELECTRIC CO., LTD. Engineering Headquarters
6-3-36, Nakazato, Furukawa, Osaki-city, Miyagi-pref, 989-6181, Japan
Phone +81 229-23-5111 Fax +81 229-23-5129

Hereby, ALPS ELECTRIC CO.,LTD., declares that the radio equipment type R53R0/P74P0 is in compliance with the relevant statutory requirements.

The full text of the UK declaration of conformity is available at the following internet address:

http://www.alps.com/products/e/re_list.html

Importer Information

P74P0

frequency band(s) in which the radio equipment operates; 125kHz

maximum radio-frequency power transmitted in the frequency band(s) in which the radio equipment operates; 66.2dBuV/m@10m

R53R0

frequency band(s) in which the radio equipment operates; 433.92MHz

maximum radio-frequency power transmitted in the frequency band(s) in which the radio equipment operates; 80.0dBuV/m@3m

UK : Great Britain (RM)

CAUTION - Danger of explosion if battery is incorrectly replaced. Replace only with the same or equivalent type.

CAUTION - Do not exposed to excessive heat such as sunshine, fire or the like, that can result in an explosion or the leakage of flammable liquid or gas during use, storage or transportation.

CAUTION - Do not dispose of a battery into fire or a hot oven, or give mechanically crushing or cutting of a battery, that can result in an explosion.

CAUTION - Do not subjected to extremely low air pressure at high altitude that may result in an explosion or the leakage of flammable liquid or gas.

WARNING

Do not ingest the battery, Chemical Burn Hazard

(The remote control supplied with) This product contains a coin/button cell battery.

If the coin/button cell battery is swallowed, it can cause severe internal burns in just 2 hours and can lead death.

Keep new and used batteries away from children.

If the battery compartment does not close securely, stop using the product and keep it away from children.

If you think batteries might have been swallowed or placed inside any part of the body, seek immediate medical attention.



This symbol is intended to alert the user to the presence of important operating and maintenance (servicing) instructions in the literature accompanying the appliance.

UK : Great Britain (BCM)

**UK
CA**



Sumitomo Wiring Systems, Ltd.

1820 Nakanoike, Mikkaichi-cho, Suzuka, Mie 513-8631 Japan

Tel: +81-59-340-1137 Fax: +81-59-383-3943

Hereby, Sumitomo Wiring Systems, Ltd. declares that the radio equipment type K68PB/K52RA is in compliance with the relevant statutory requirements.

The full text of the UK declaration of conformity is available at the following internet address:

<https://www.sws.co.jp/en/product/document/certificate>

Importer Information

K68PB

frequency band(s) in which the radio equipment operates; 125kHz







maximum radio-frequency power transmitted in the frequency band(s) in which the radio equipment operates; 56.7dBuV/m@10m

K52RA

frequency band(s) in which the radio equipment operates; 125kHz

maximum radio-frequency power transmitted in the frequency band(s) in which the radio equipment operates; 54.9dBuV/m@10m

BATTERY LABEL SYMBOL MEANINGS

	No smoking, no naked flames, no sparks		Battery acid
	Shield eyes		Note operating instructions
	Keep away from children		Explosive gas

Prepared by

SUZUKI MOTOR CORPORATION

January, 2022

Part No. 99011-73SB7-01E

Printed in Japan

TP568